

US00D706625S

(12) **United States Design Patent**
Key

(10) **Patent No.:** **US D706,625 S**
(45) **Date of Patent:** **** Jun. 10, 2014**

(54) **CONTAINER HAVING A RECESSED PANEL**

(71) Applicant: **Stephen Marcus Key**, Glenbrook, NV
(US)

(72) Inventor: **Stephen Marcus Key**, Glenbrook, NV
(US)

(73) Assignee: **SpinLabel Technologies, Inc.**, Boca
Raton, FL (US)

(**) Term: **14 Years**

(21) Appl. No.: **29/455,599**

(22) Filed: **May 22, 2013**

(51) **LOC (10) Cl.** **09-03**

(52) **U.S. Cl.**
USPC **D9/429**

(58) **Field of Classification Search**
USPC D9/414, 418, 424, 425, 428, 429;
D7/619, 629; 229/400-406, 932,
229/906.1; 220/656-659, 669-675, 912,
220/4.21-4.27; 206/553, 557, 541, 775,
206/776

See application file for complete search history.

(56) **References Cited**

U.S. PATENT DOCUMENTS

D210,767 S * 4/1968 Hokanen D7/532
D368,234 S * 3/1996 Dickinson et al. D11/152
D383,038 S * 9/1997 Willbrandt D7/531
D386,947 S * 12/1997 Lapierre et al. D7/531

D428,307 S * 7/2000 Yeandel D7/531
D436,499 S * 1/2001 Pritchard et al. D7/530
6,212,803 B1 * 4/2001 Key 40/324
D446,687 S * 8/2001 Furman et al. D7/523
D461,369 S * 8/2002 Sims et al. D7/531
D526,847 S * 8/2006 Freeman D7/523
D527,583 S * 9/2006 Freeman D7/523
D533,748 S * 12/2006 Bresler D7/523
D649,396 S * 11/2011 Wilkens et al. D7/396.2
D682,088 S * 5/2013 de Urquijo Carmona D9/428
2002/0104613 A1 * 8/2002 Key 156/268
2013/0062239 A1 * 3/2013 Key 206/459.1

* cited by examiner

Primary Examiner — Thomas Johannes

(74) *Attorney, Agent, or Firm* — Carr & Ferrell LLP

(57) **CLAIM**

The ornamental design for a container with a recessed panel,
as shown and described.

DESCRIPTION

FIG. 1 is a perspective view of the container with a recessed
panel of the instant invention;
FIG. 2 is a top view thereof;
FIG. 3 is a bottom view thereof; and,
FIG. 4 is a side view thereof; all sides forming a mirror image
thereof.

The broken line portion of the figure drawings is included to
show unclaimed subject matter only and forms no part of the
claimed design.

1 Claim, 1 Drawing Sheet

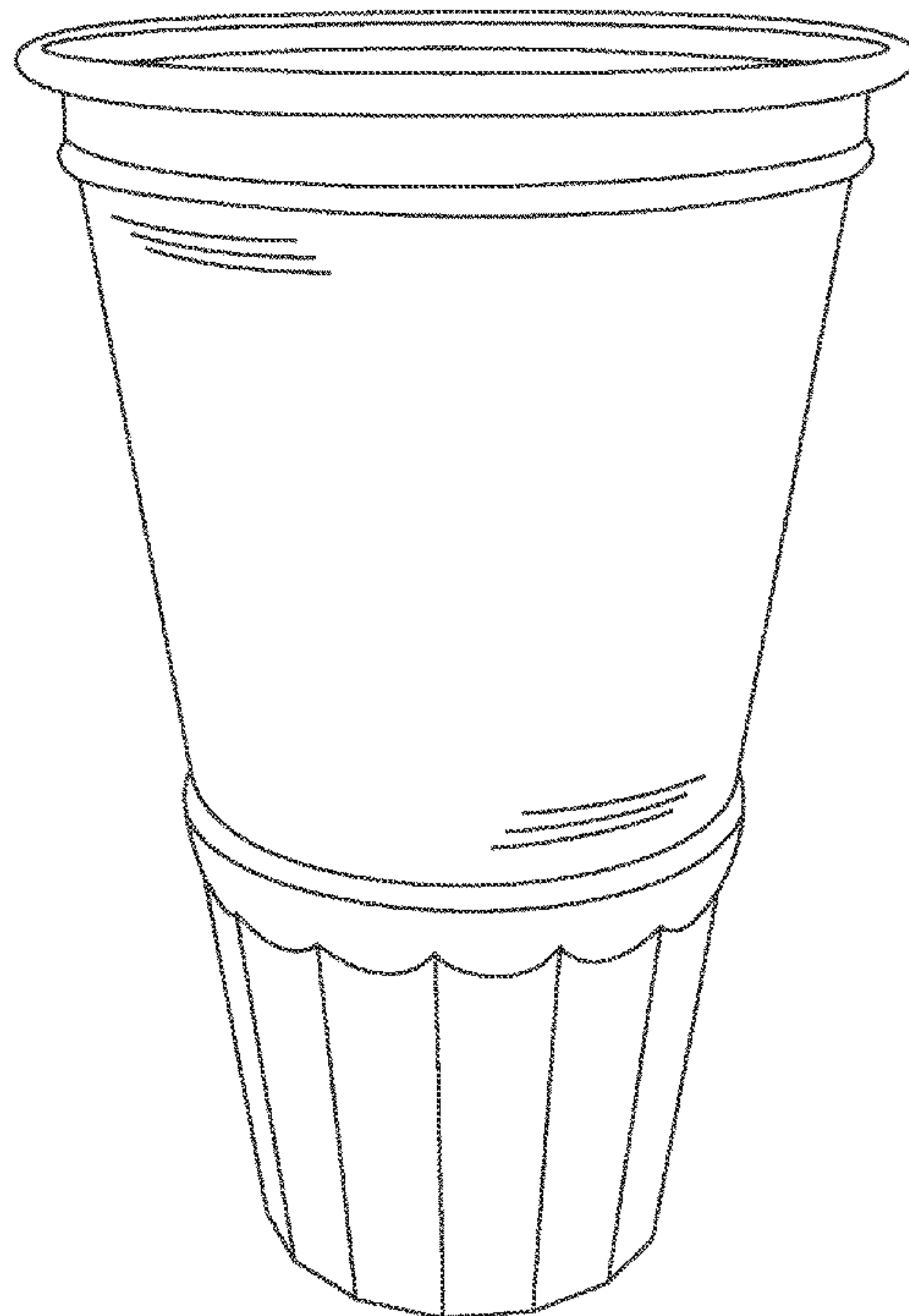


FIG 1

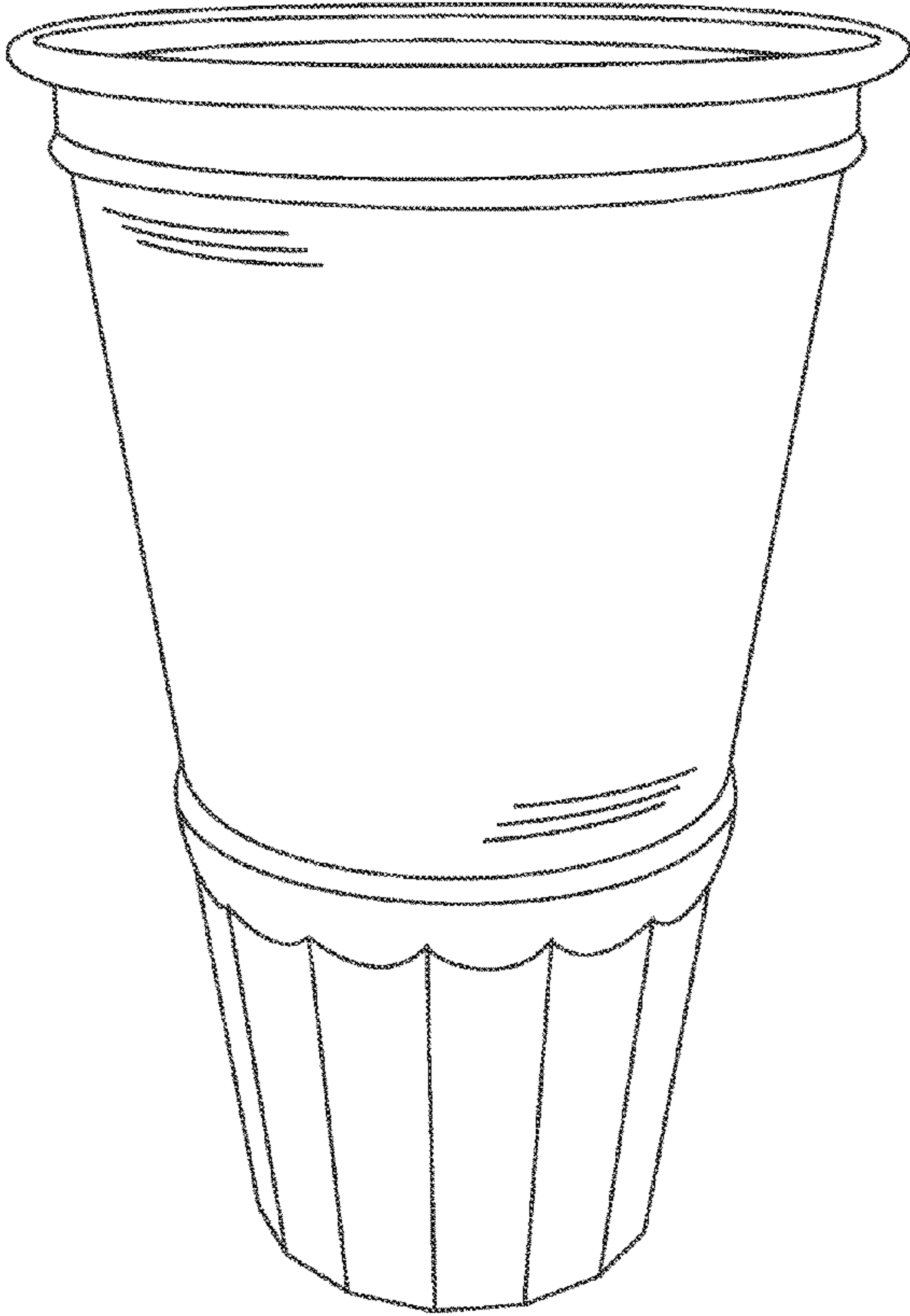


FIG 2

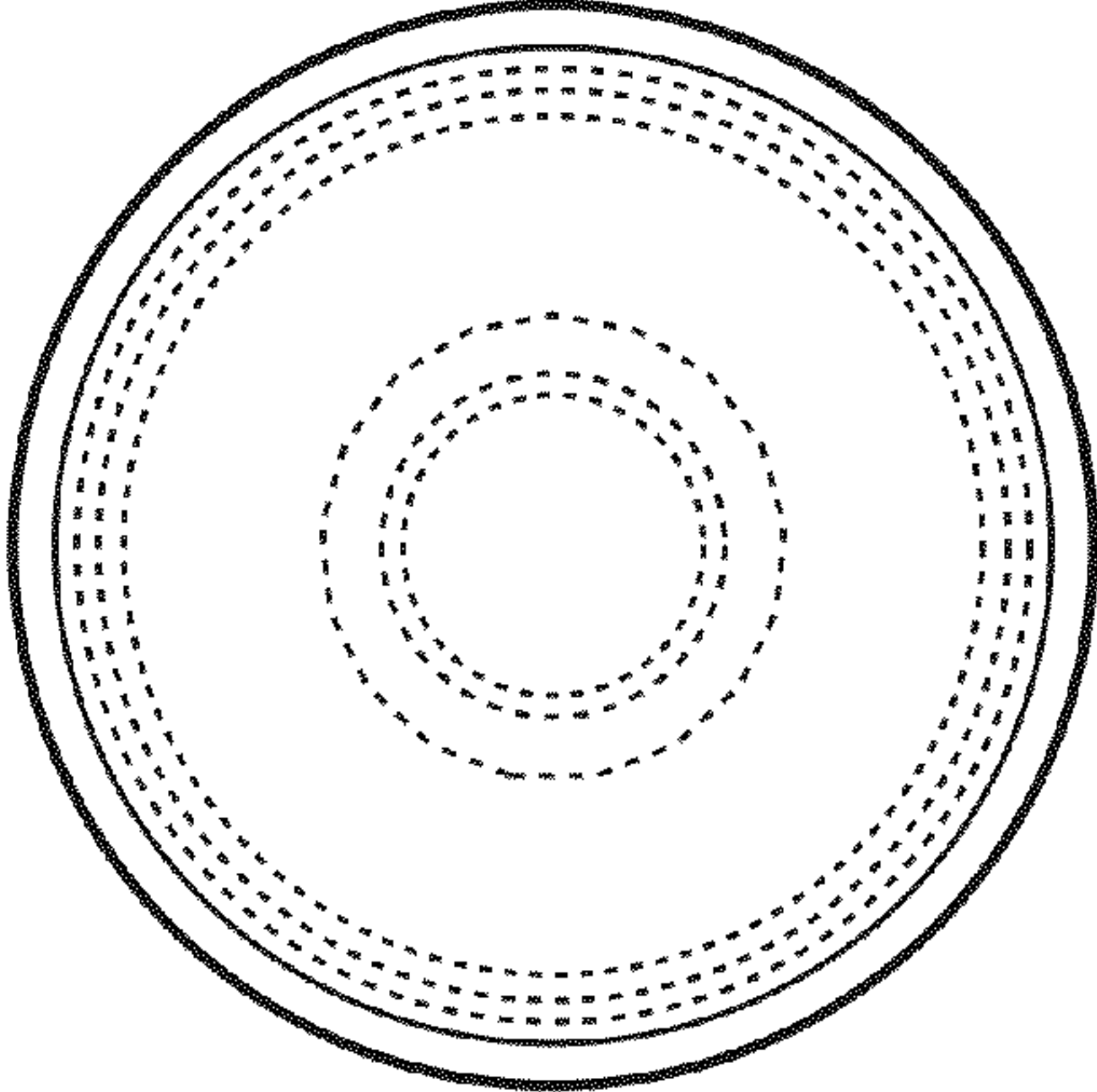


FIG 4

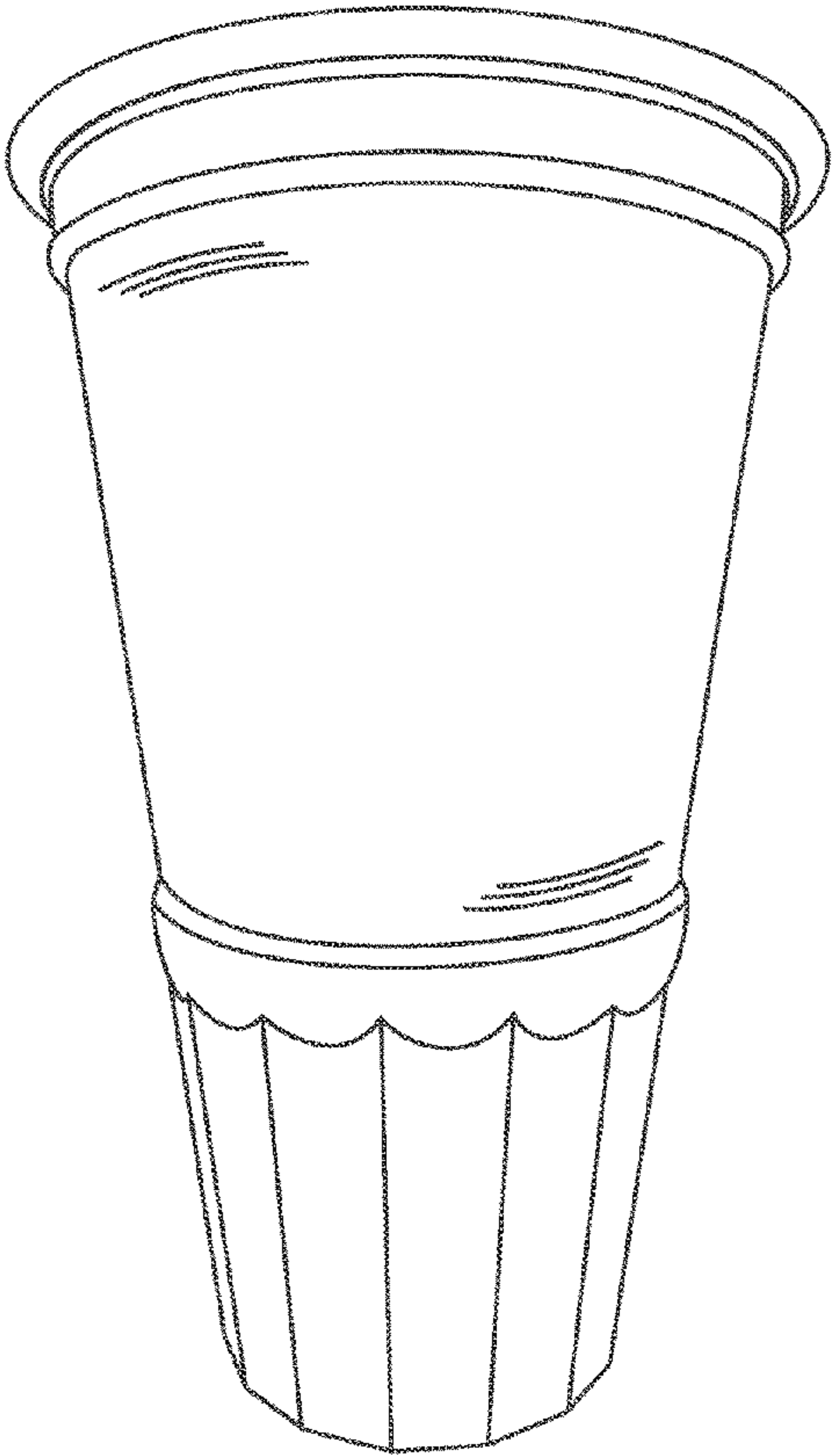


FIG 3

