



US00D706621S

(12) **United States Design Patent**
Tuchrelo et al.

(10) **Patent No.:** **US D706,621 S**
(45) **Date of Patent:** **** *Jun. 10, 2014**

(54) **CONTAINER COMPRISING TRAY AND LID**

(75) Inventors: **Robert Richard Tuchrelo**, Williamson, NY (US); **Jeffrey Quint Cahoon**, Williamson, NY (US)

(73) Assignee: **Carrier Commercial Refrigeration, Inc.**, Farmington, CT (US)

(*) Notice: This patent is subject to a terminal disclaimer.

(**) Term: **14 Years**

(21) Appl. No.: **29/394,200**

(22) Filed: **Jun. 14, 2011**

(51) **LOC (10) Cl.** **09-03**

(52) **U.S. Cl.**
USPC **D9/425**

(58) **Field of Classification Search**

USPC D9/414, 419, 424, 425, 430, 431, 432, D9/435, 761; D7/538, 549, 550.1, D7/601-603, 605, 629; 229/105, 117.09, 229/117.26, 189, 406, 407, 902, 905, 229/915.1; 220/23.4, 23.6, 266, 281, 315, 220/318, 500, 659, 669, 674, 675, 696, 752, 220/760, 790, 793, DIG. 12, FOR. 117; 206/499, 508, 557; D3/276

See application file for complete search history.

(56) **References Cited**

U.S. PATENT DOCUMENTS

D383,671 S * 9/1997 Phillips D9/429
D467,800 S * 12/2002 Chen et al. D9/429

(Continued)

Primary Examiner — Thomas Johannes

(57) **CLAIM**

The ornamental design for a container comprising tray and lid, as shown and described.

DESCRIPTION

FIG. 1 is a perspective view of a container comprising a tray and lid according to a first embodiment of the present invention, in an open position.

FIG. 2 is a front view of the tray and lid shown in FIG. 1, the rear view being a mirror thereof.

FIG. 3 is a right side view of the tray and lid shown in FIG. 1, the left side view being a mirror image thereof.

FIG. 4 is a top view of the tray and lid shown in FIG. 1.

FIG. 5 is a bottom view of the tray and lid shown in FIG. 1.

FIG. 6 is a cross-sectional view of the tray and lid shown in FIG. 1, taken on lines 6-6 of FIG. 4.

FIG. 7 is a perspective view of the container shown in FIG. 1, with the tray and lid in an alternate, closed position.

FIG. 8 is a front view of the container shown in FIG. 7, the rear view being a mirror image thereof.

FIG. 9 is a right side view of the container shown in FIG. 7, the left side view being a mirror image thereof.

FIG. 10 is a top view of the container shown in FIG. 7.

FIG. 11 is a bottom view of the container shown in FIG. 7.

FIG. 12 is a perspective view of a container comprising a tray and lid according to a second embodiment of the present invention, in an open position.

FIG. 13 is a front view of the tray and lid shown in FIG. 12.

FIG. 14 is a left side view of the tray and lid shown in FIG. 12.

FIG. 15 is a right side view of the tray and lid shown in FIG. 12.

FIG. 16 is a rear view of the tray and lid shown in FIG. 12.

FIG. 17 is a top view of the tray and lid shown in FIG. 12.

FIG. 18 is a bottom view of the tray and lid shown in FIG. 12.

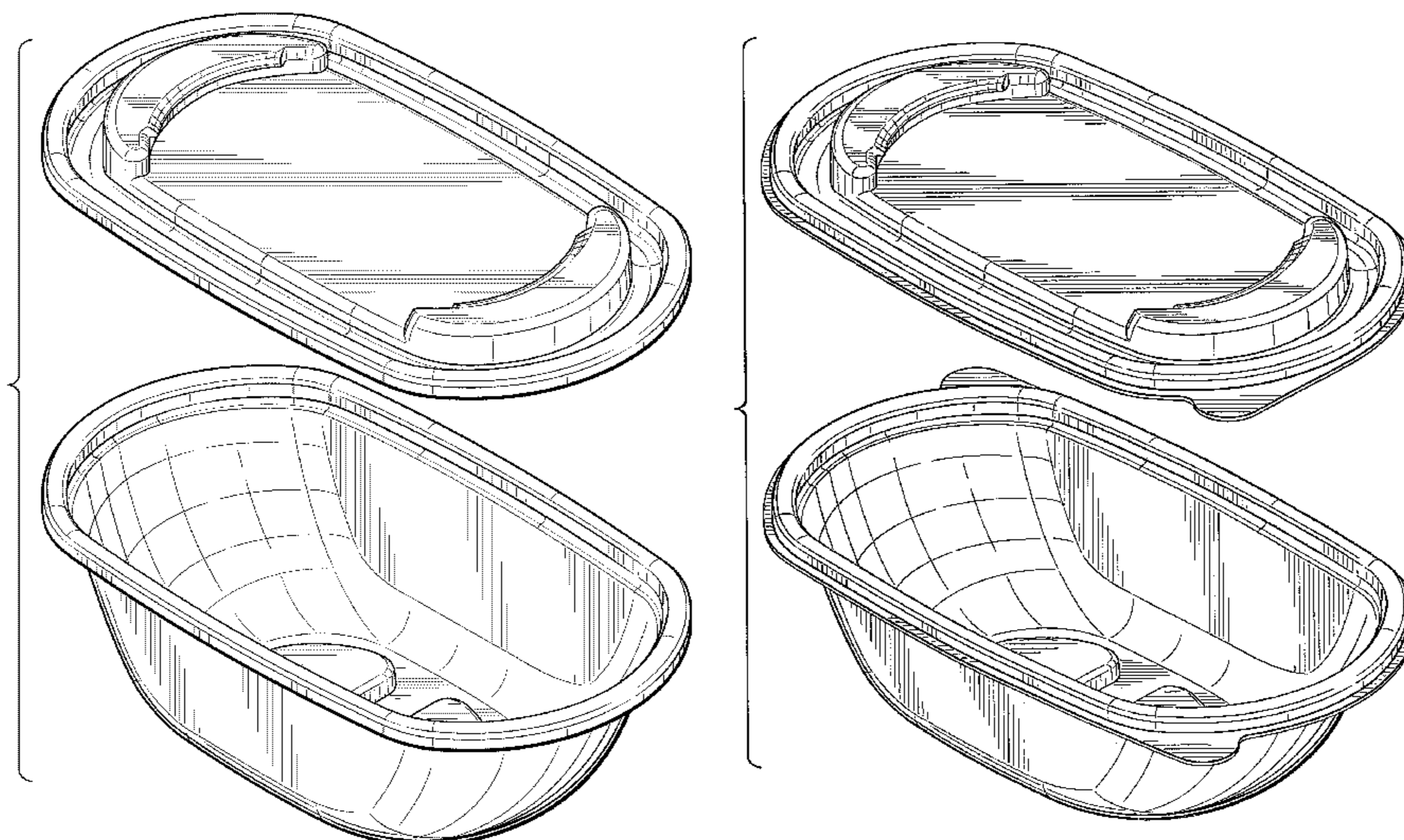
FIG. 19 is a cross-sectional view of the tray and lid shown in FIG. 12, taken on lines 19-19 of FIG. 17.

FIG. 20 is top view of the tray taken on lines 20-20 of FIG. 13; and,

FIG. 21 is bottom view of the lid taken on lines 21-21 of FIG. 13.

Any elements shown in dash dot lines form no part of the claimed invention of this application, and are instead included to show environmental aspects of the claimed design. The broken line adjacent to the shaded or sectional portions forms an unclaimed boundary of the design.

1 Claim, 12 Drawing Sheets



US D706,621 S

Page 2

(56)

References Cited

U.S. PATENT DOCUMENTS

D469,320 S * 1/2003 Pettaweebuncha D7/629
D469,689 S * 2/2003 Buchalski et al. D9/425

D496,272 S * 9/2004 Jackson et al. D9/425
D548,588 S * 8/2007 Bouveret et al. D9/428
D650,663 S * 12/2011 Shiffer et al. D9/428
D653,105 S * 1/2012 Degeyter et al. D9/425

* cited by examiner

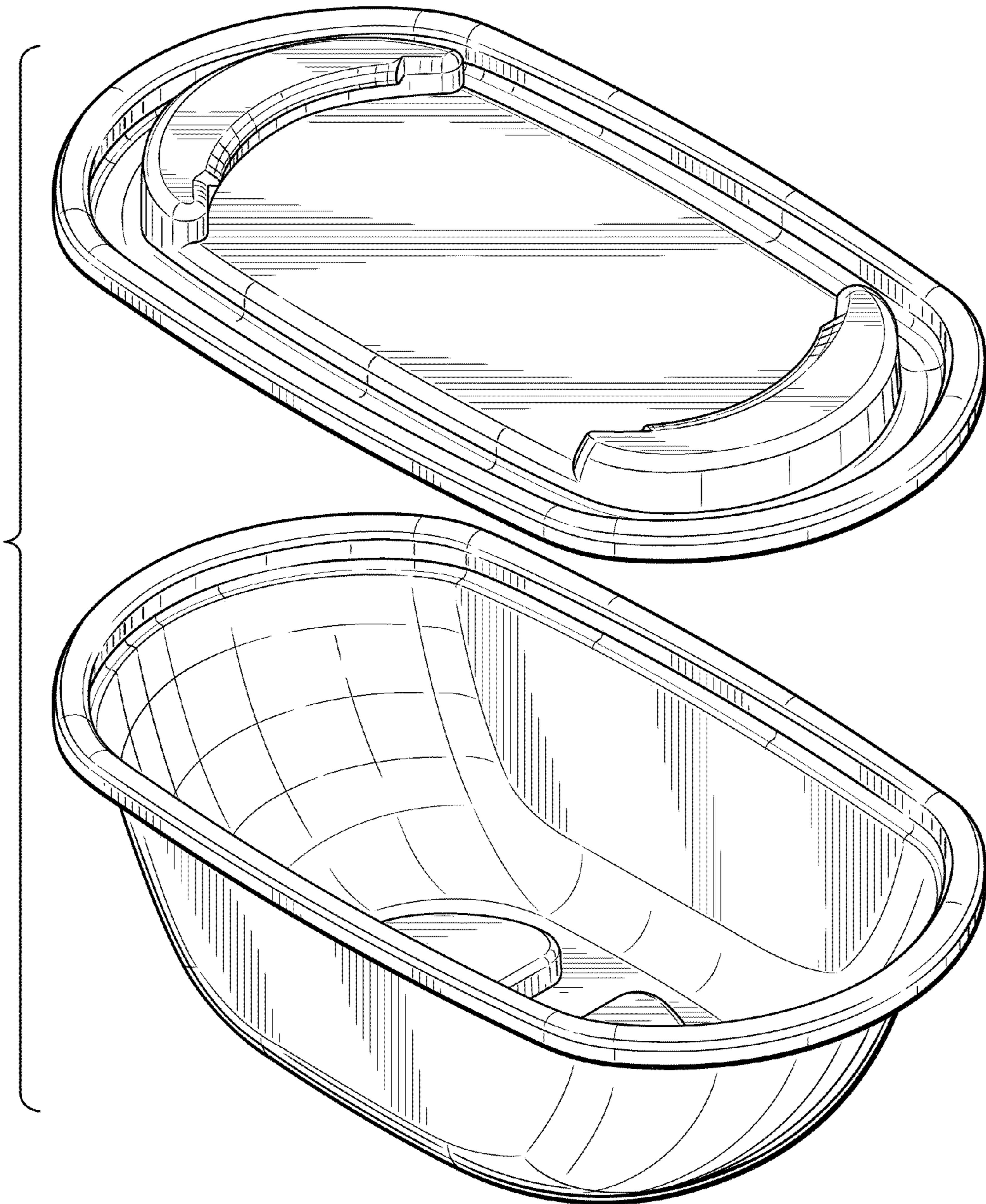


FIG. 1

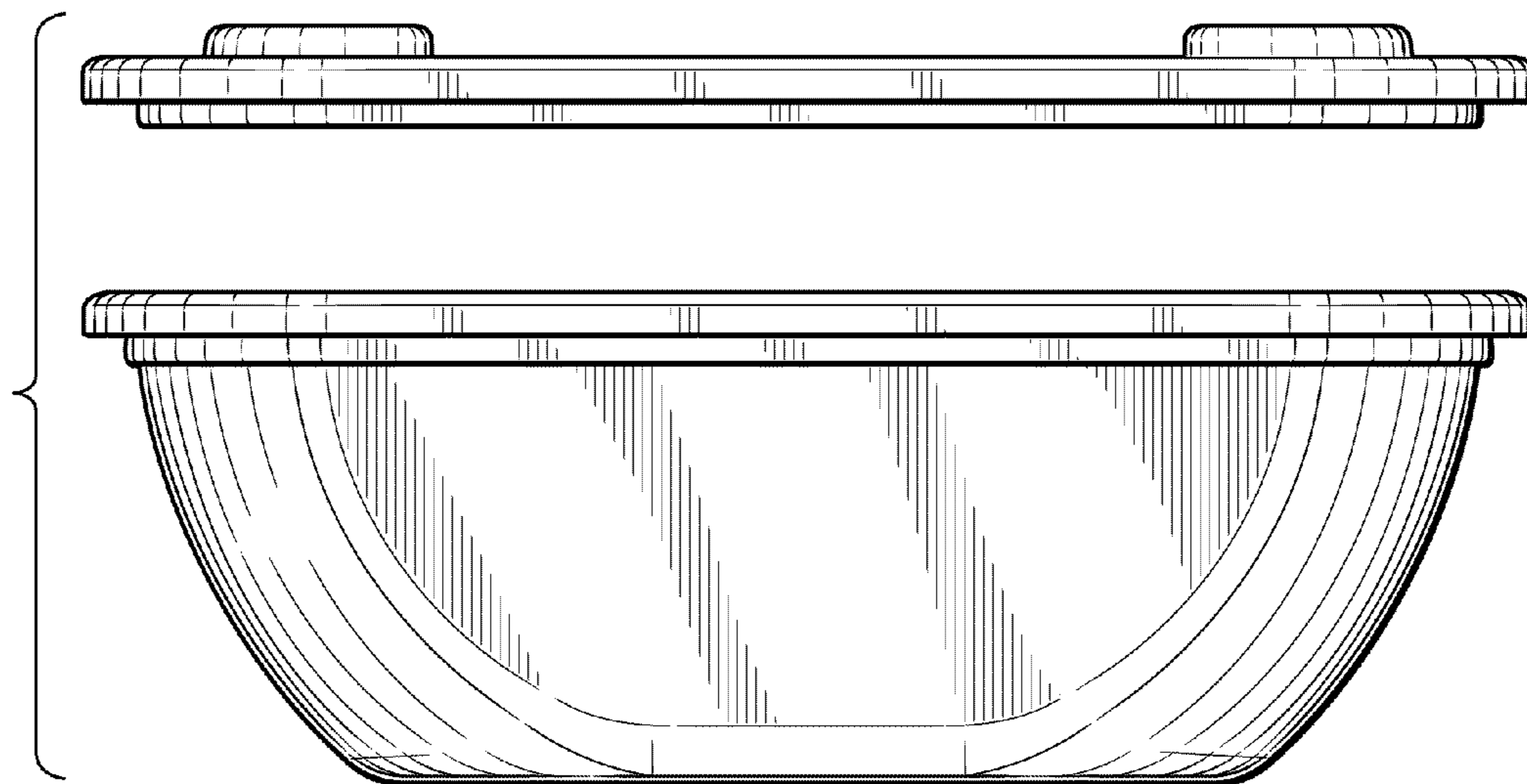


FIG. 2

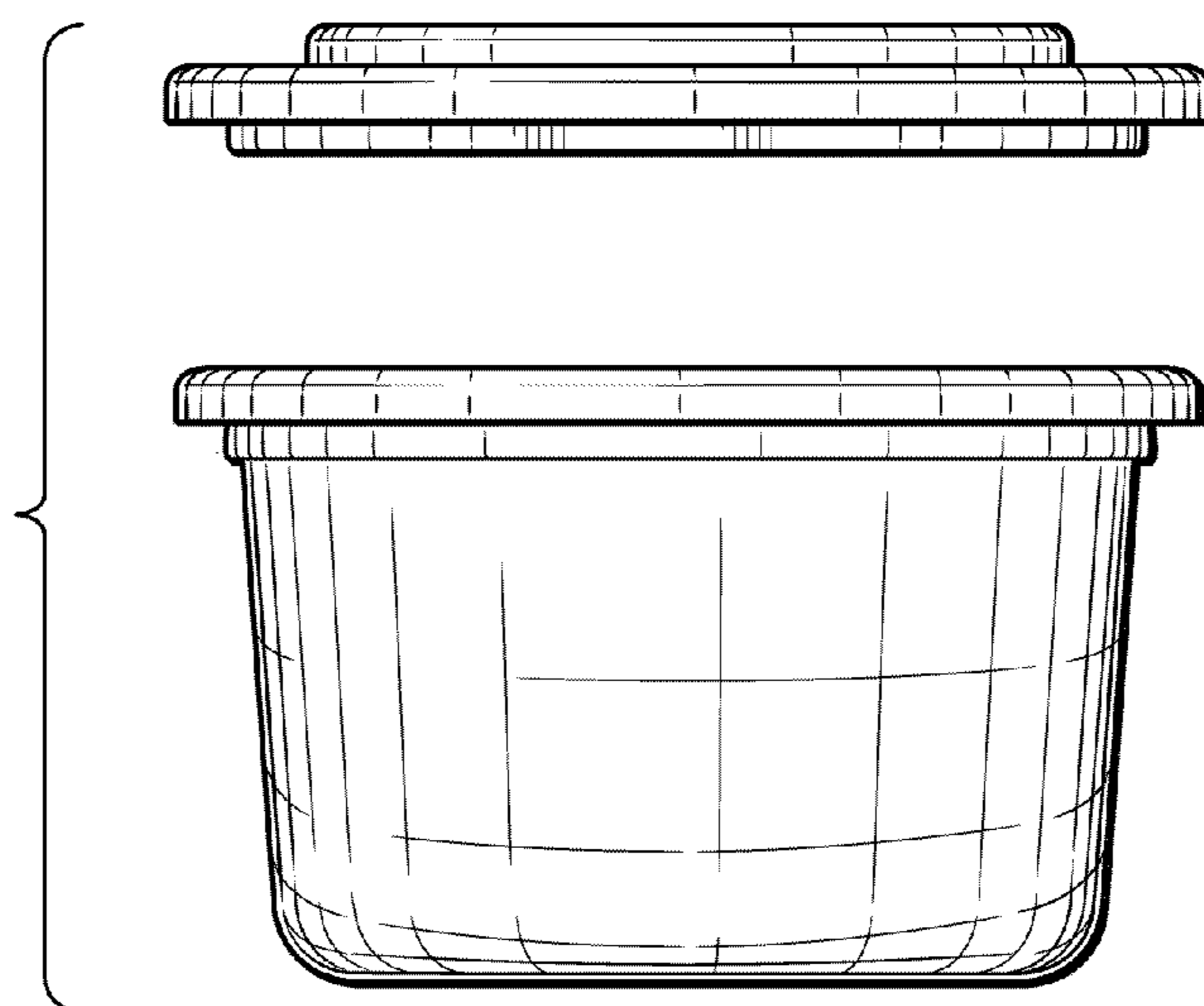


FIG. 3

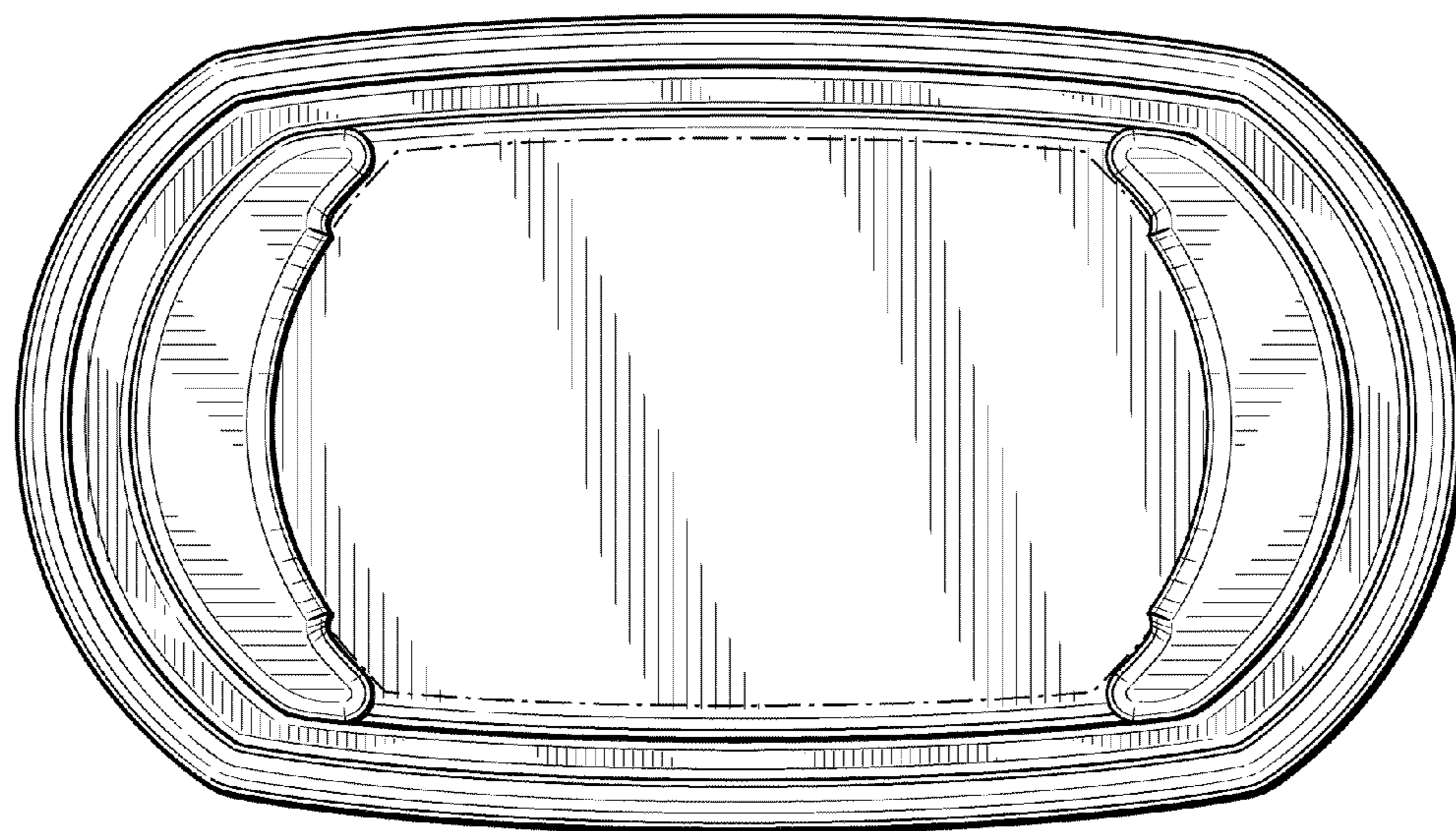


FIG. 4

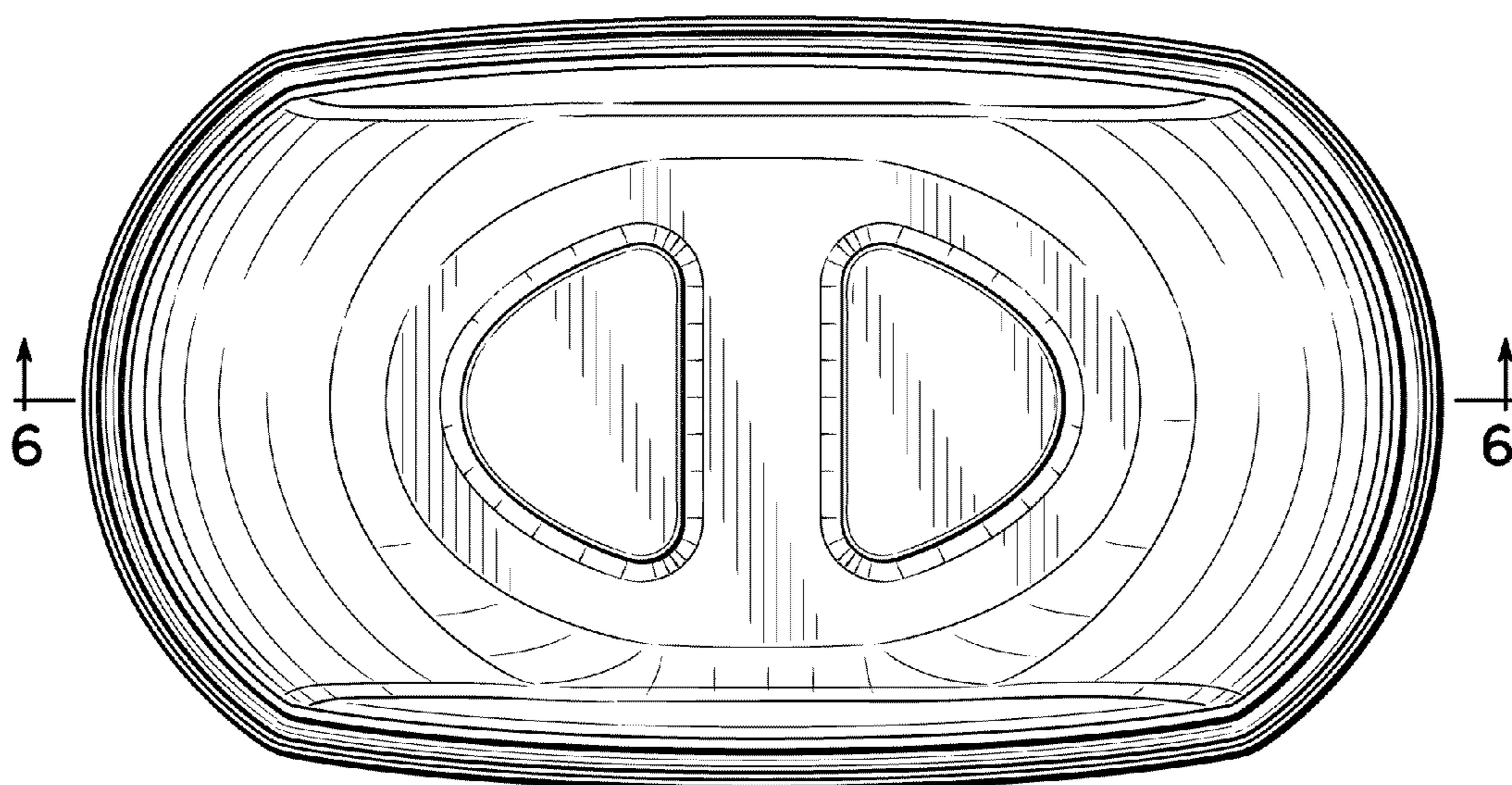


FIG. 5

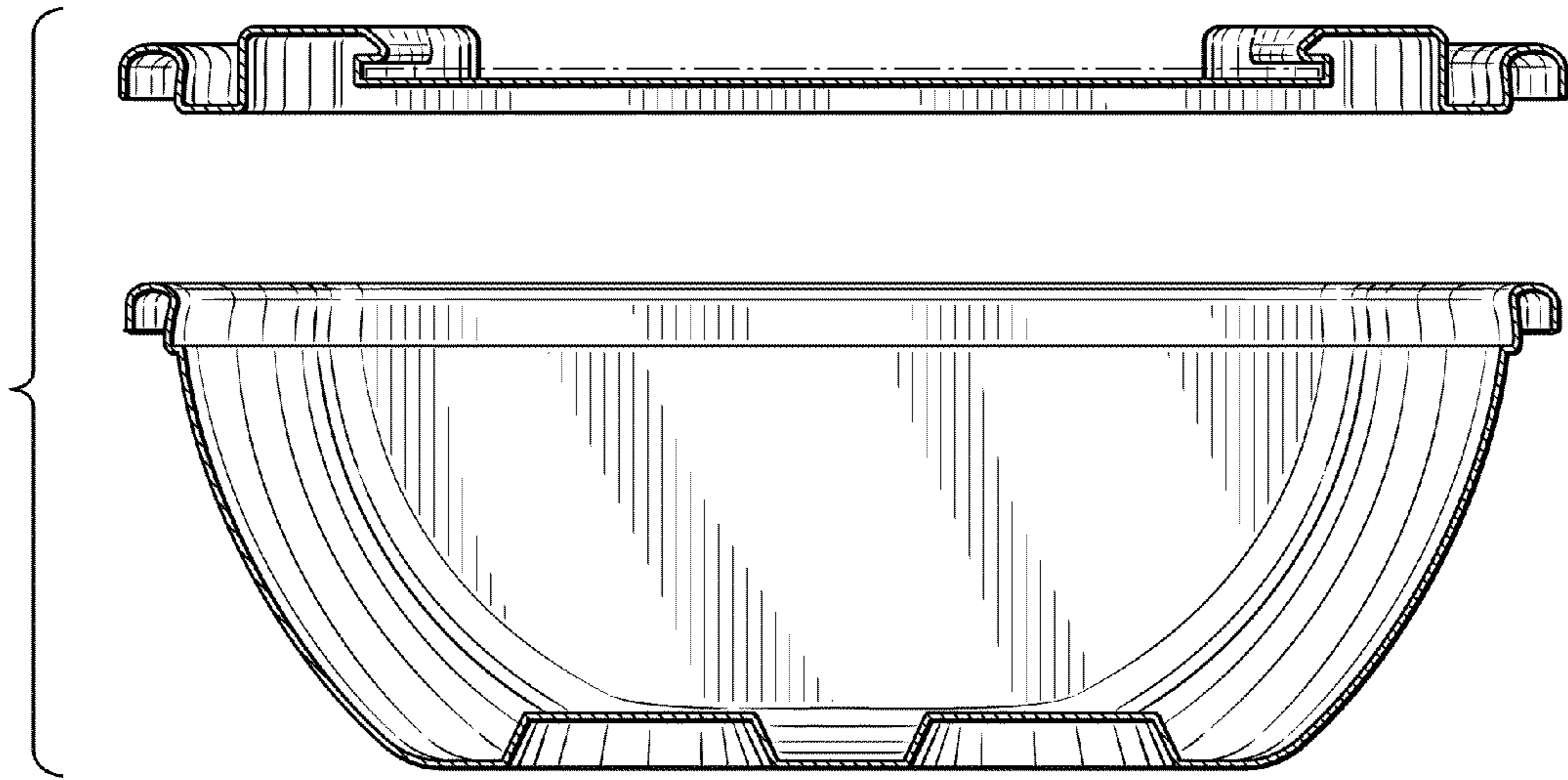


FIG. 6

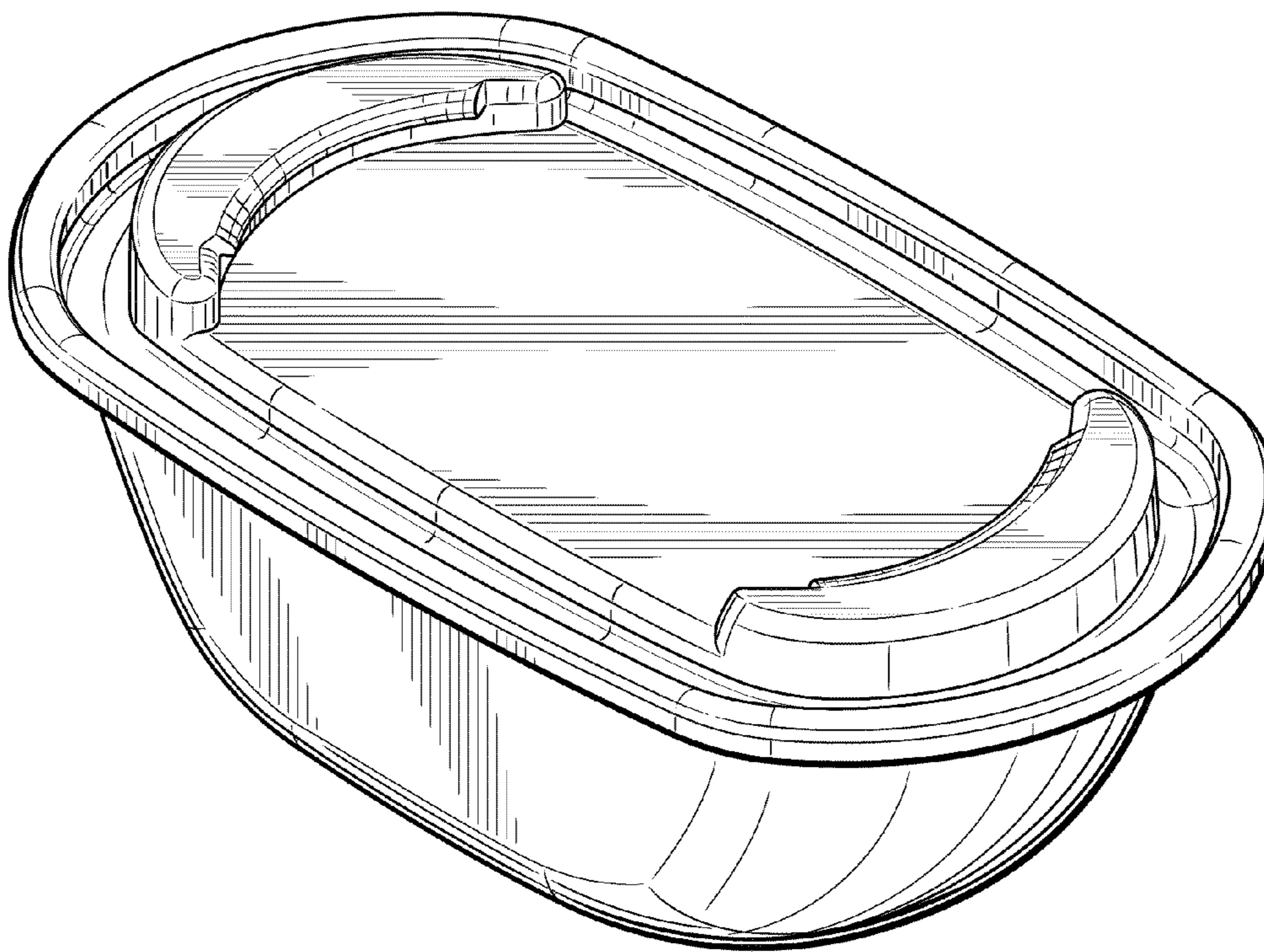


FIG. 7

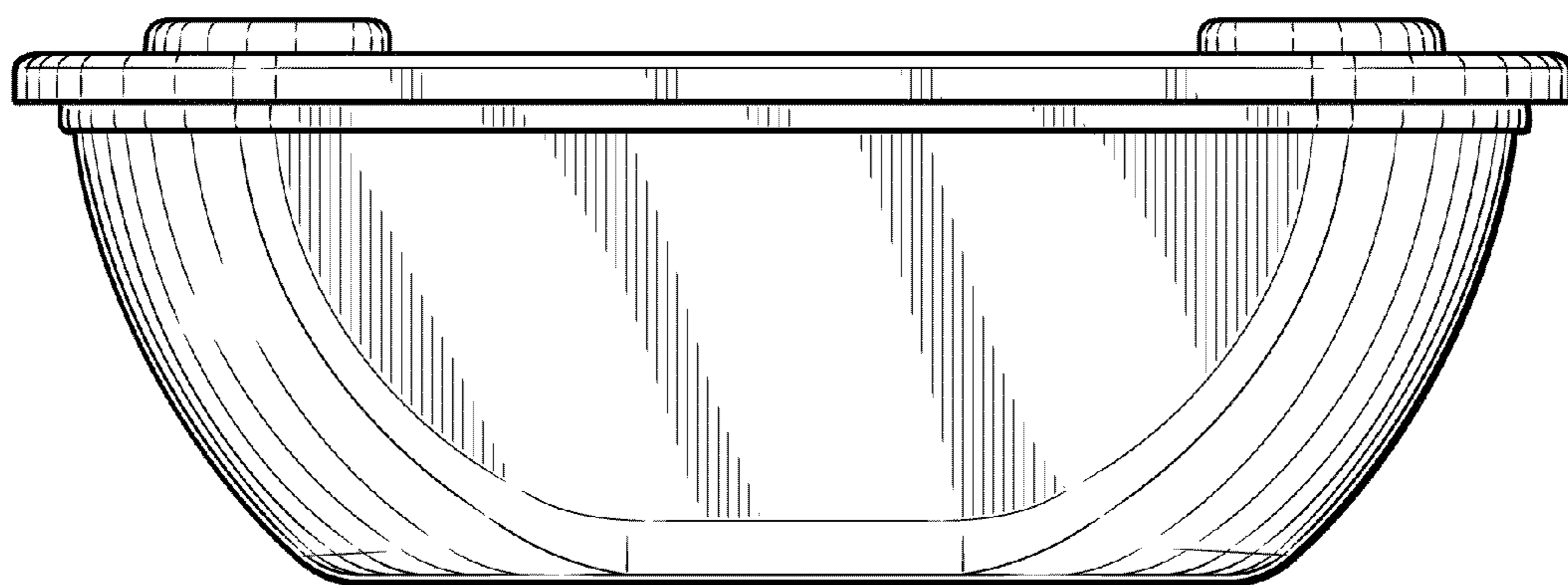


FIG. 8

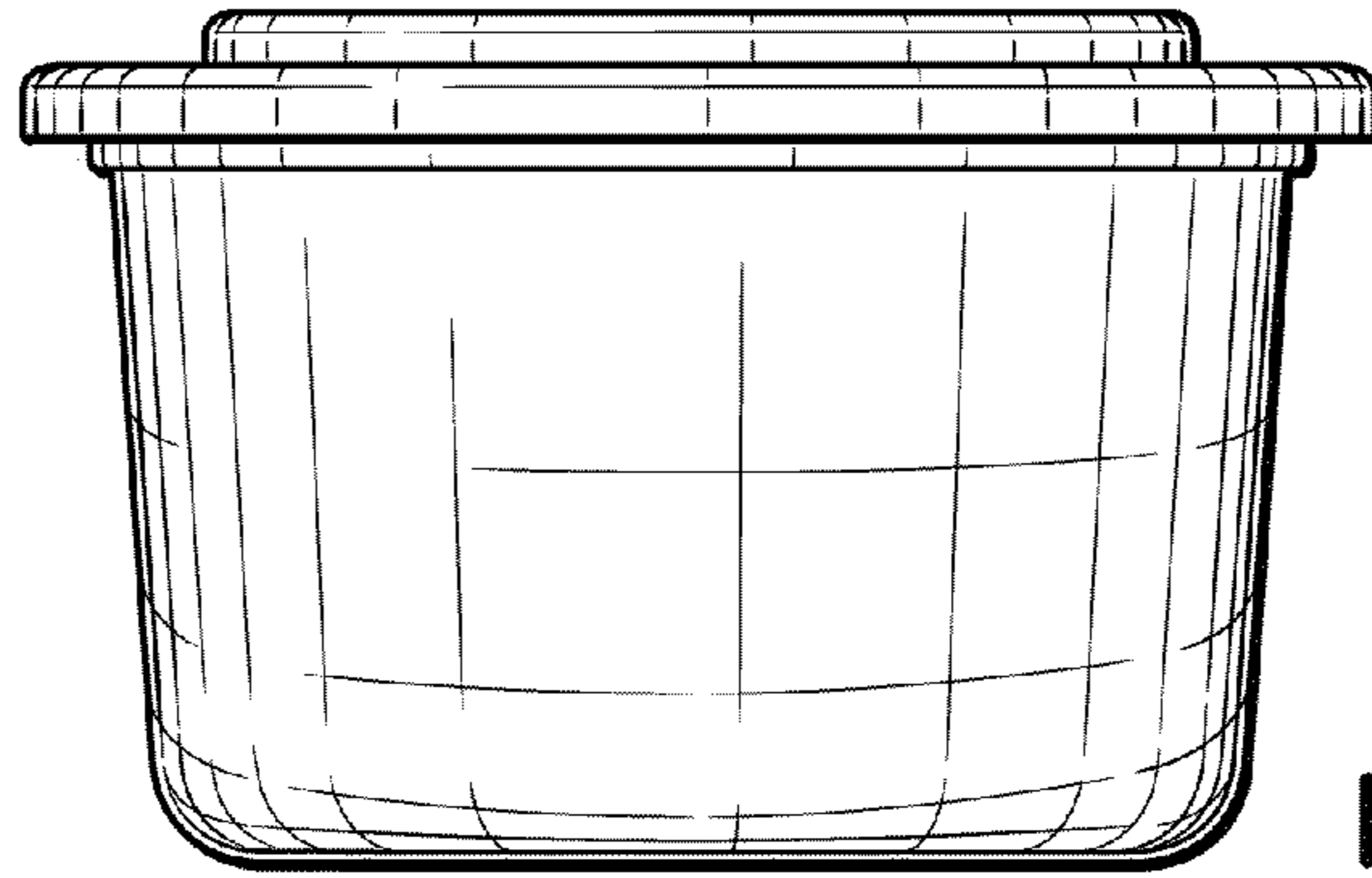


FIG. 9

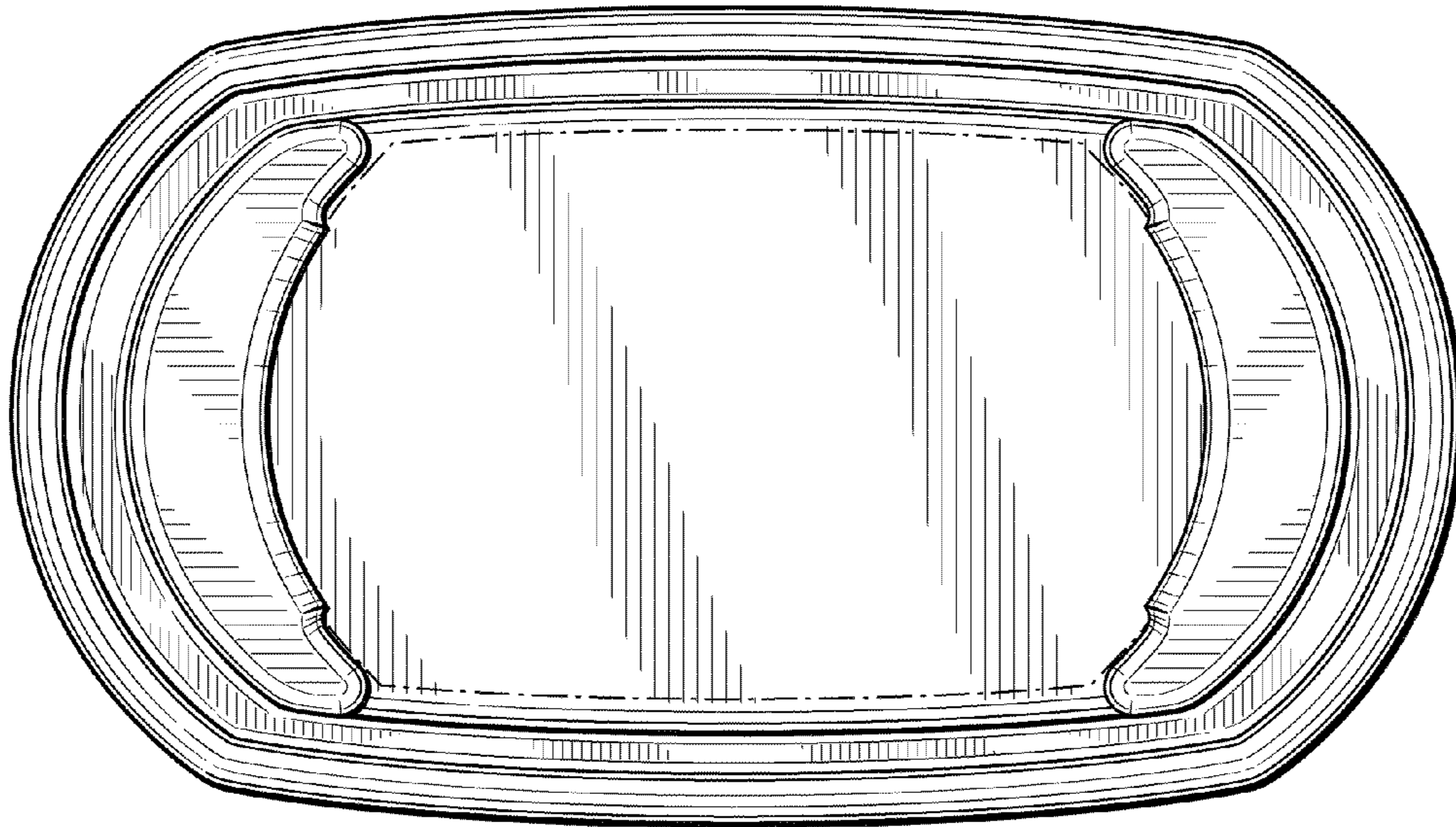


FIG. 10

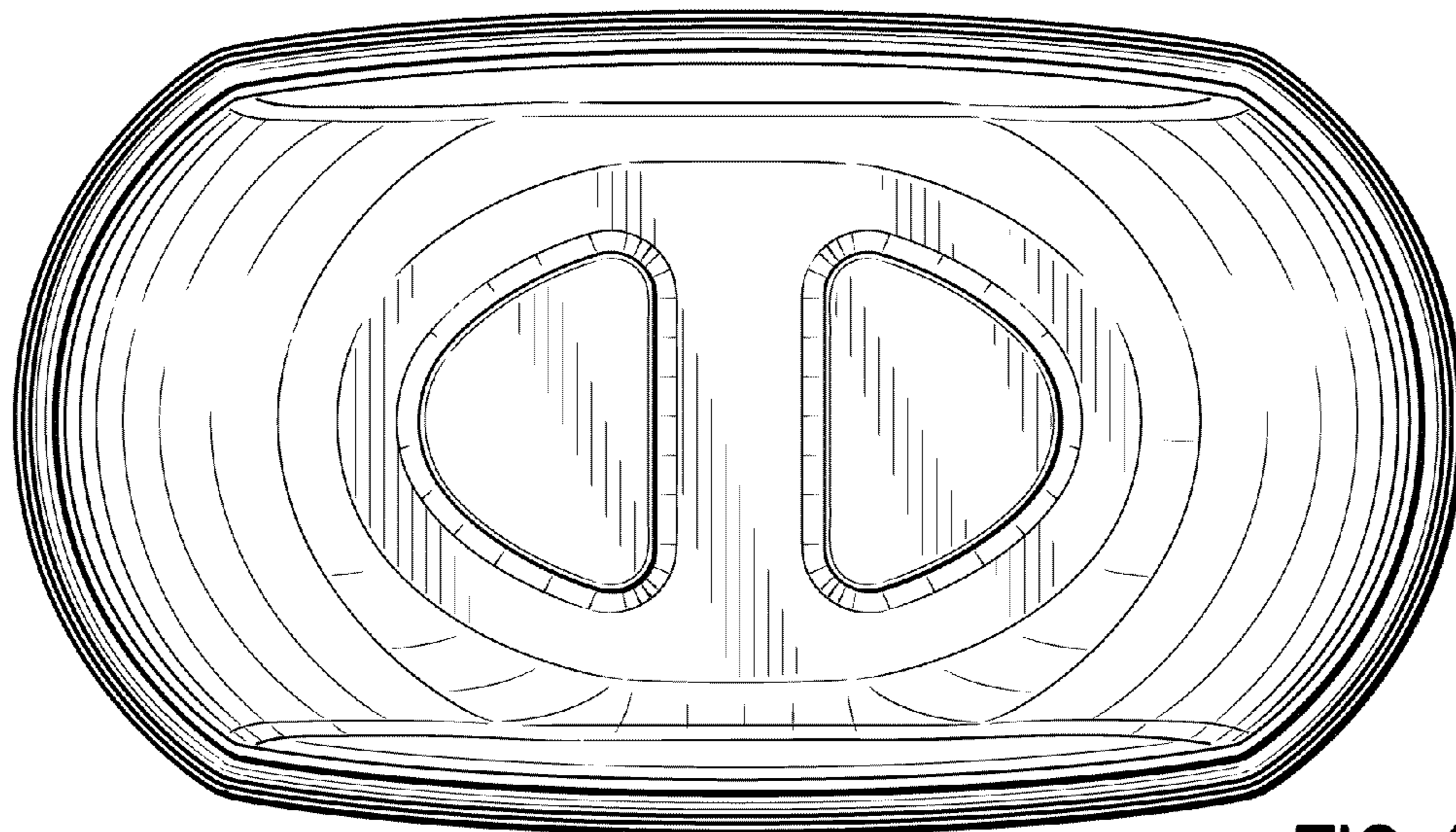


FIG. 11

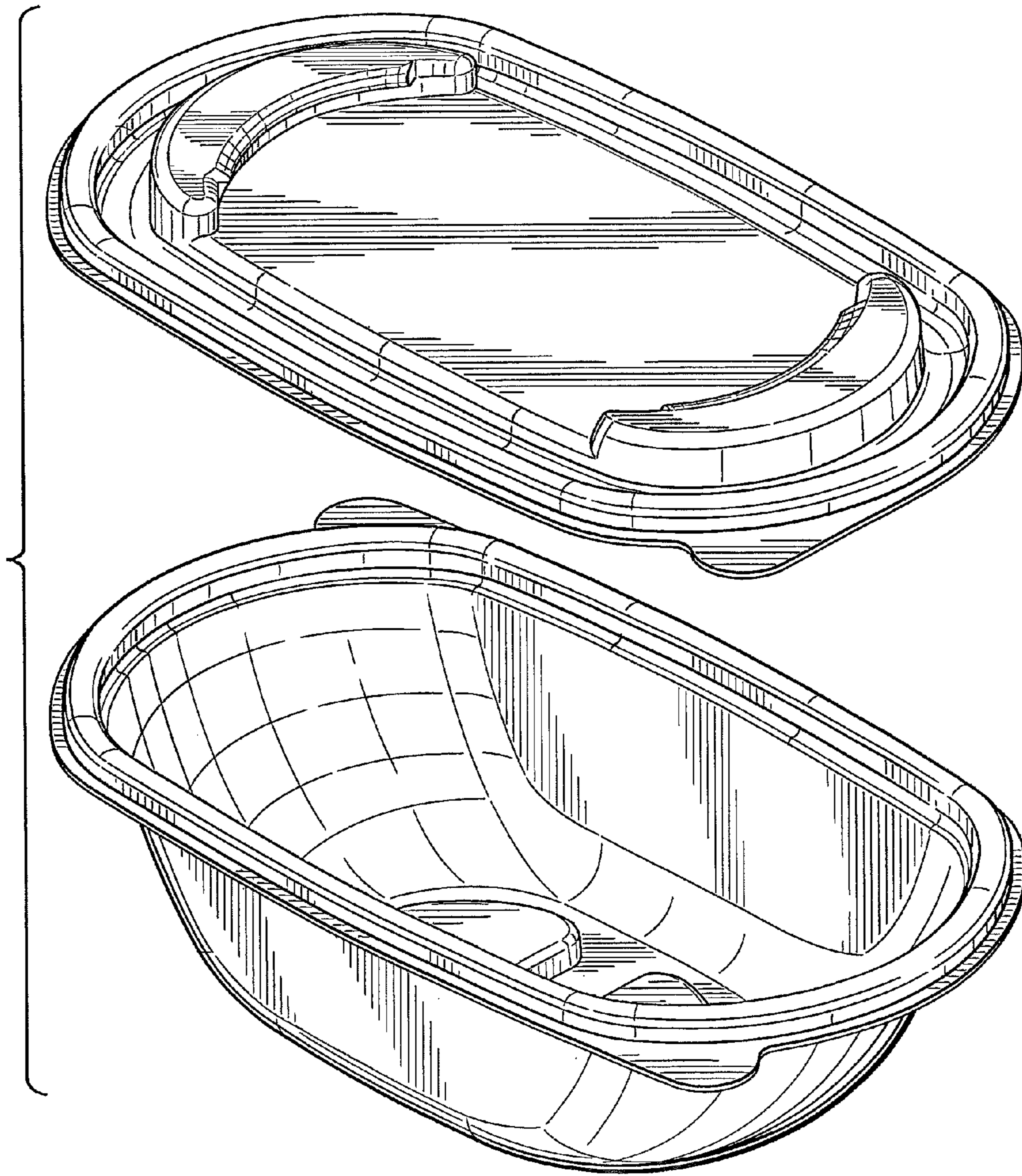


FIG. 12

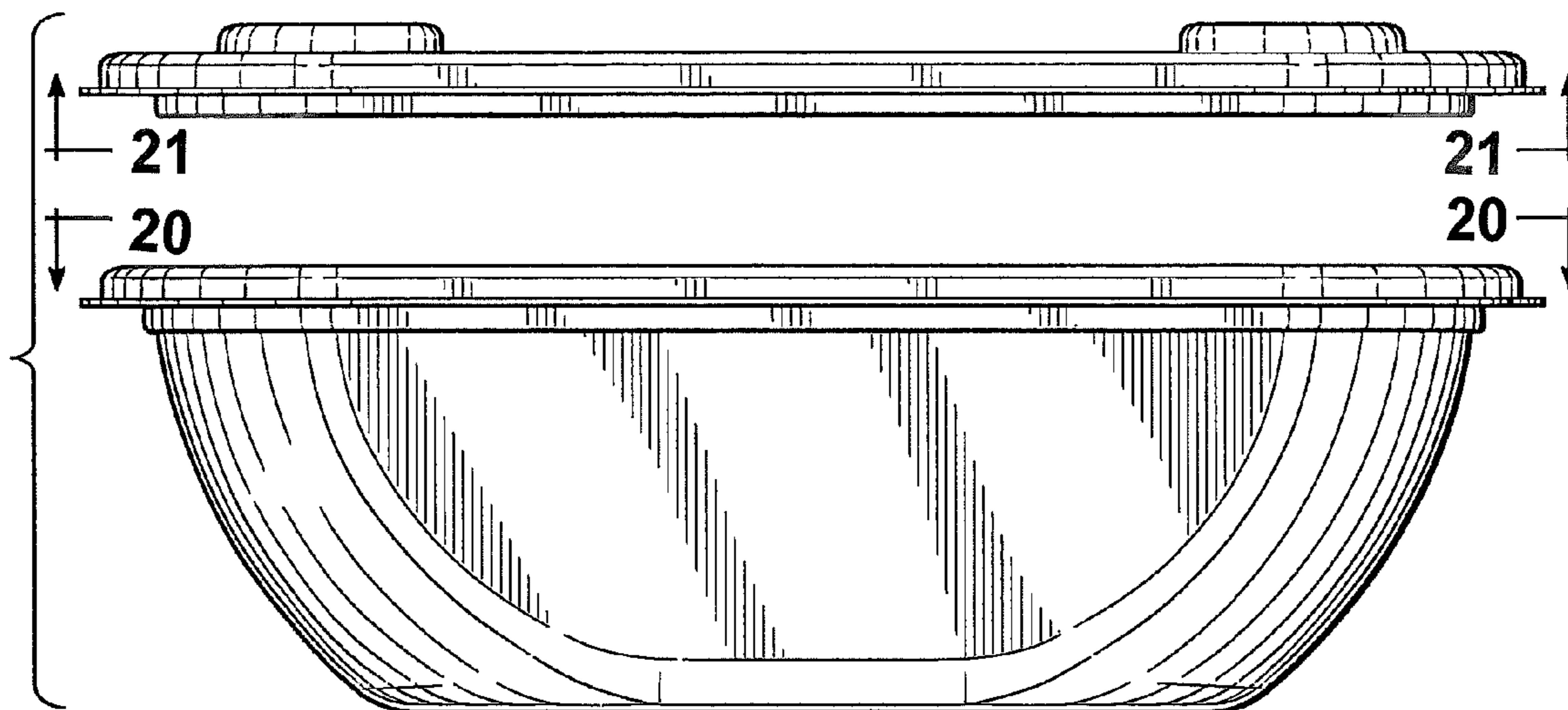


FIG. 13

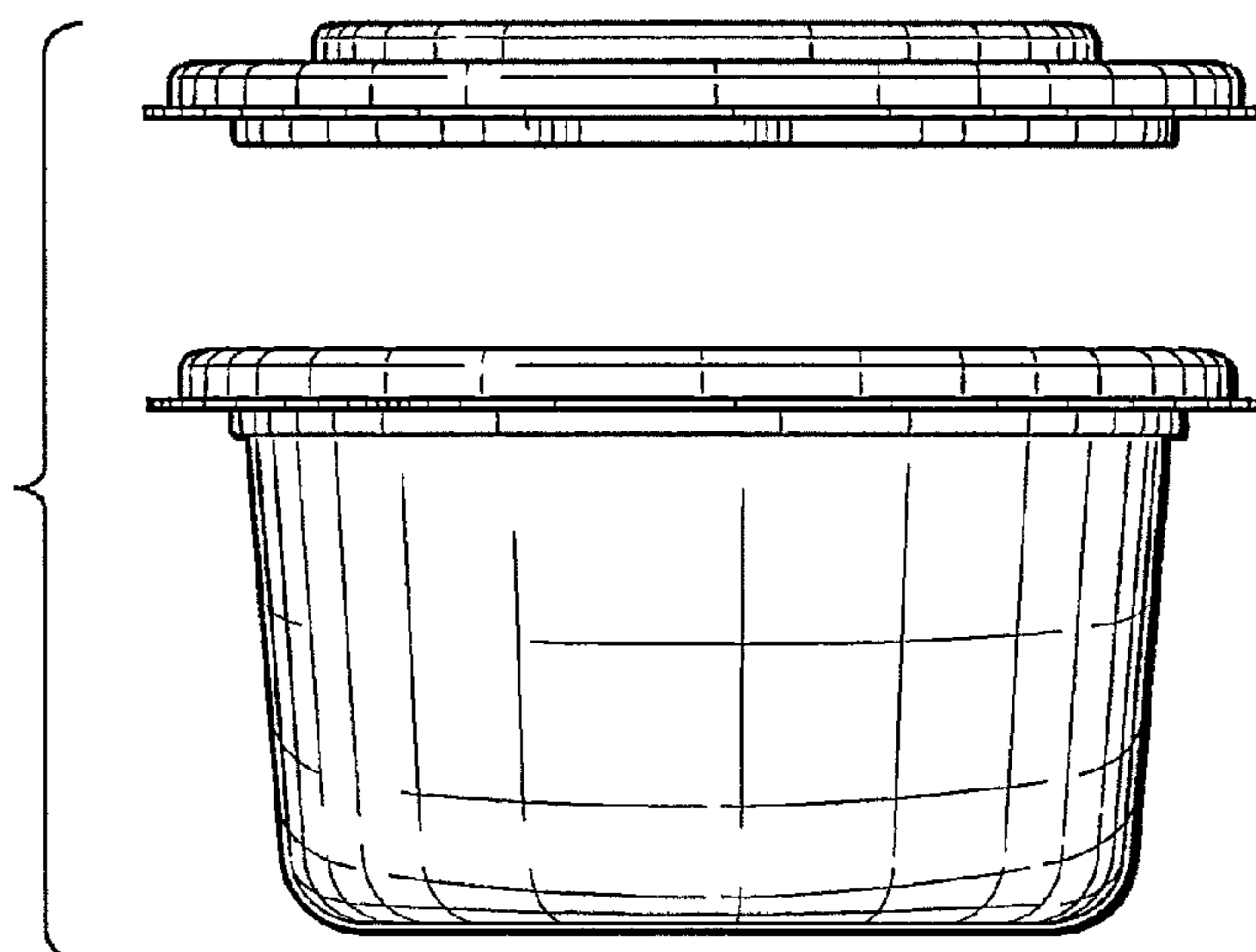


FIG. 14

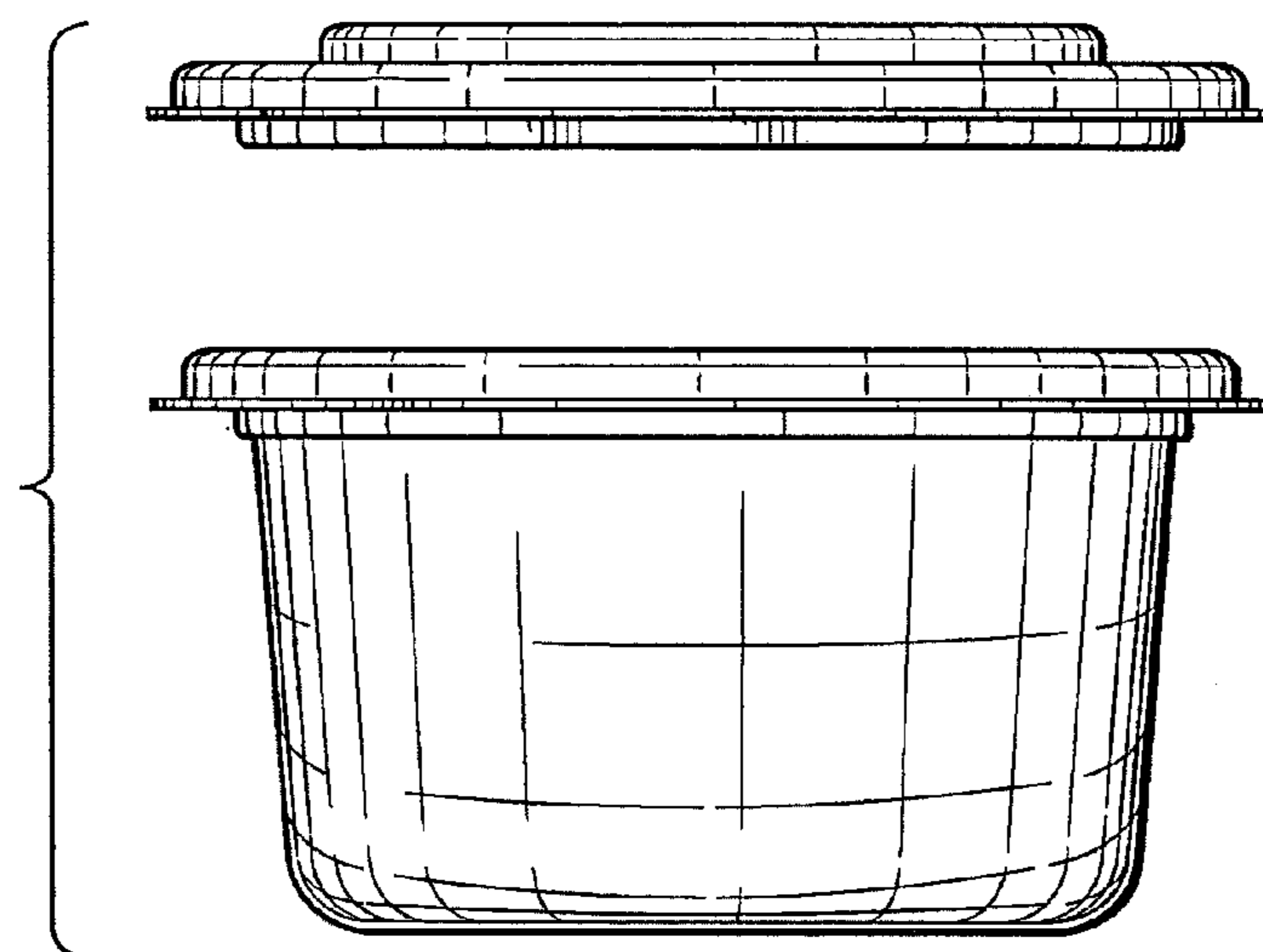


FIG. 15

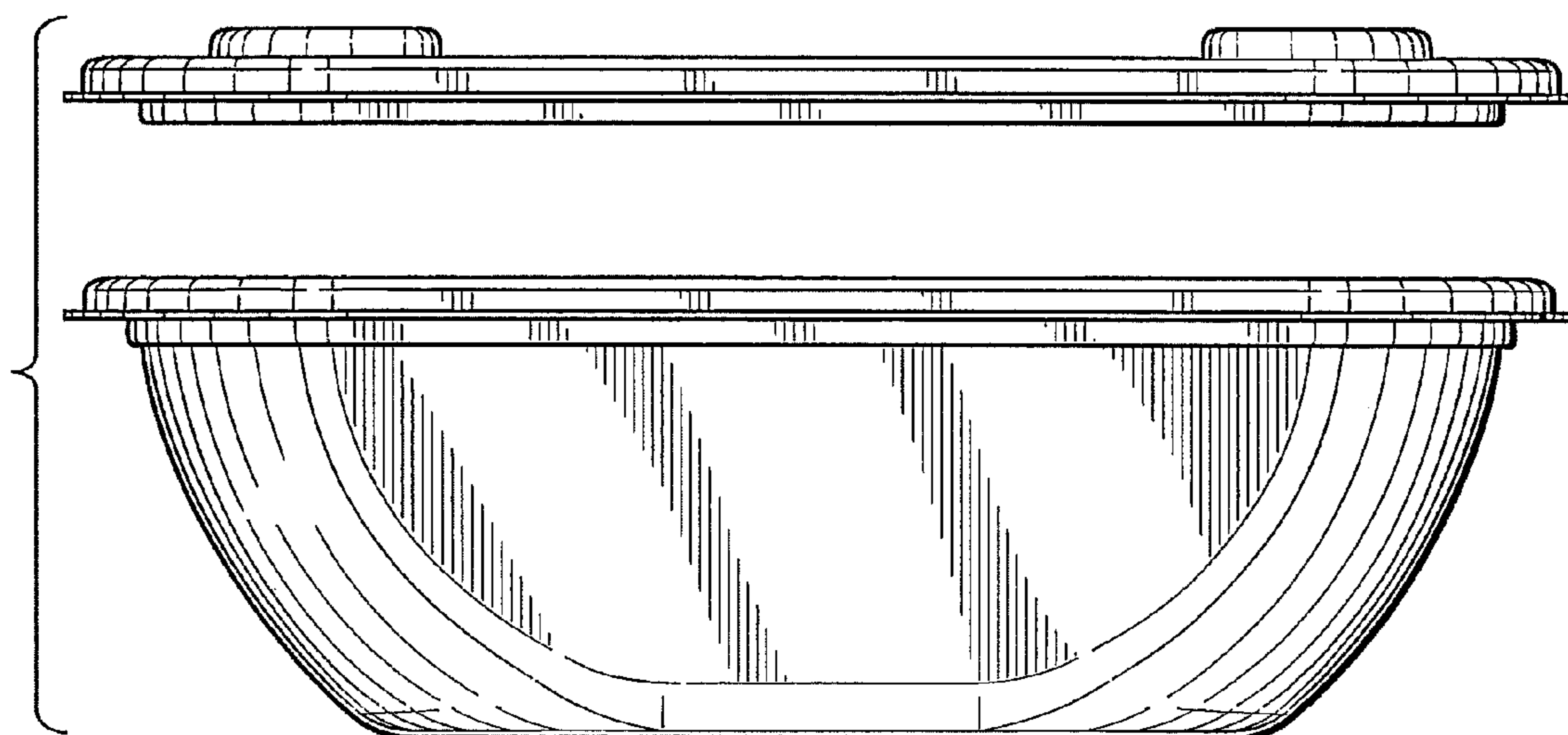


FIG. 16

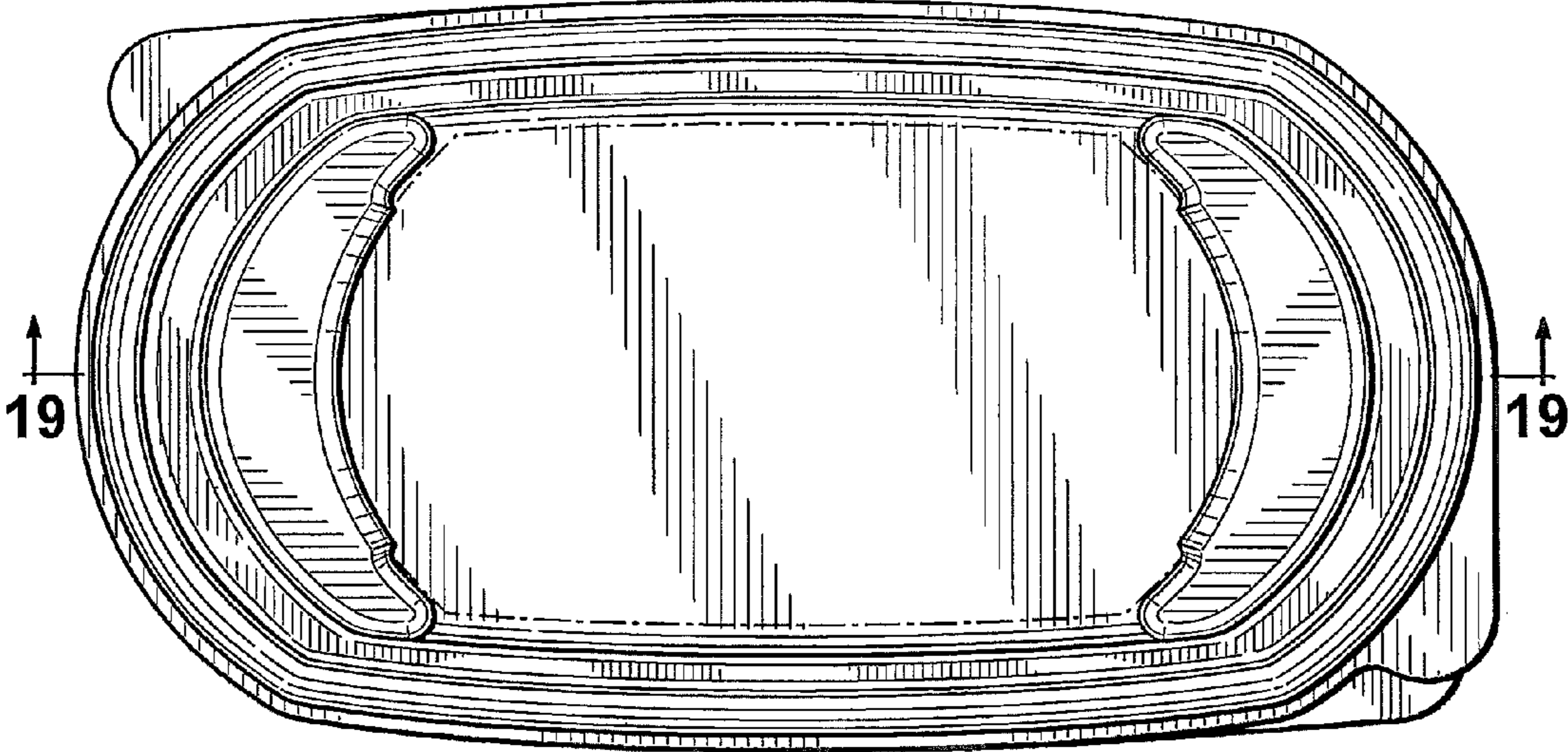


FIG. 17

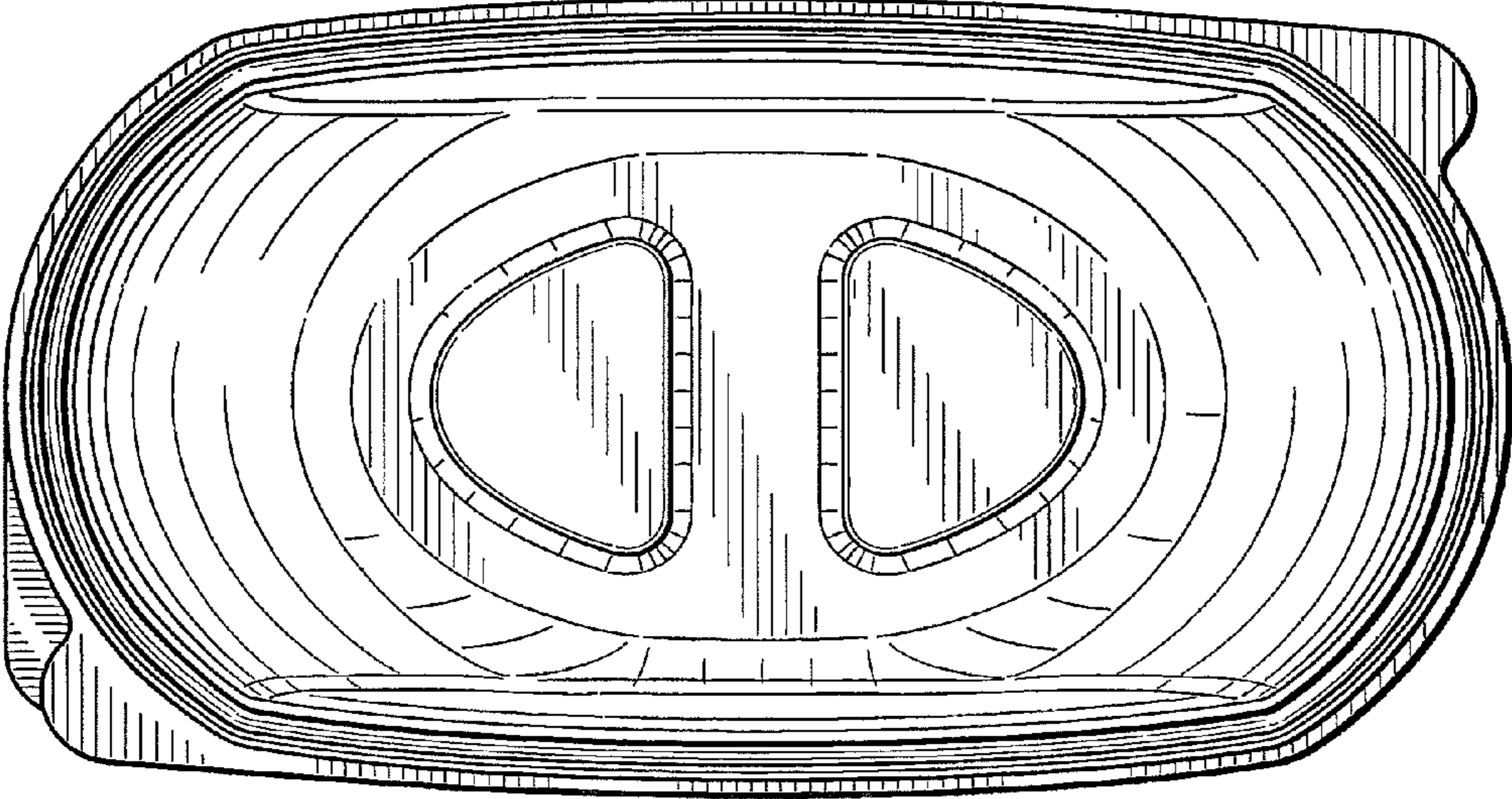


FIG. 18

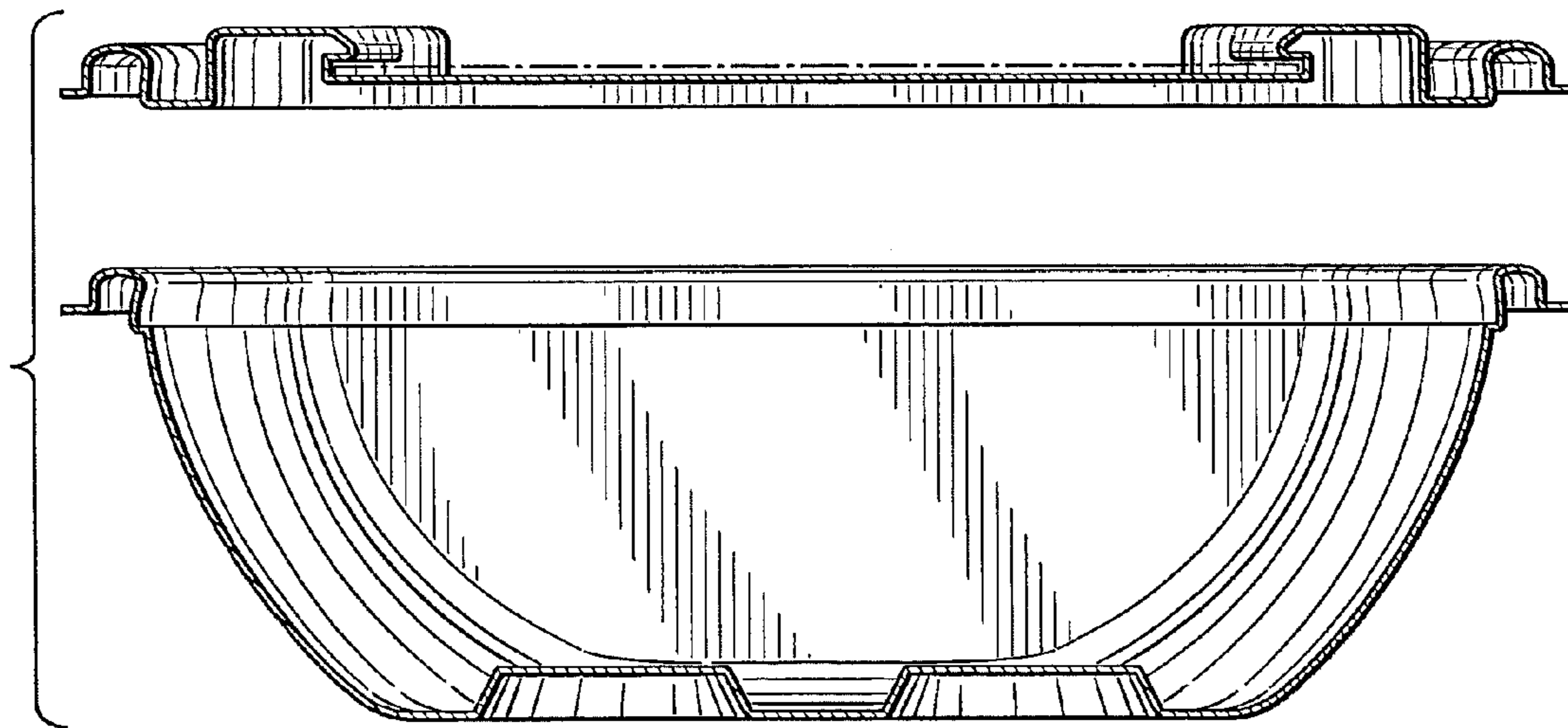


FIG. 19

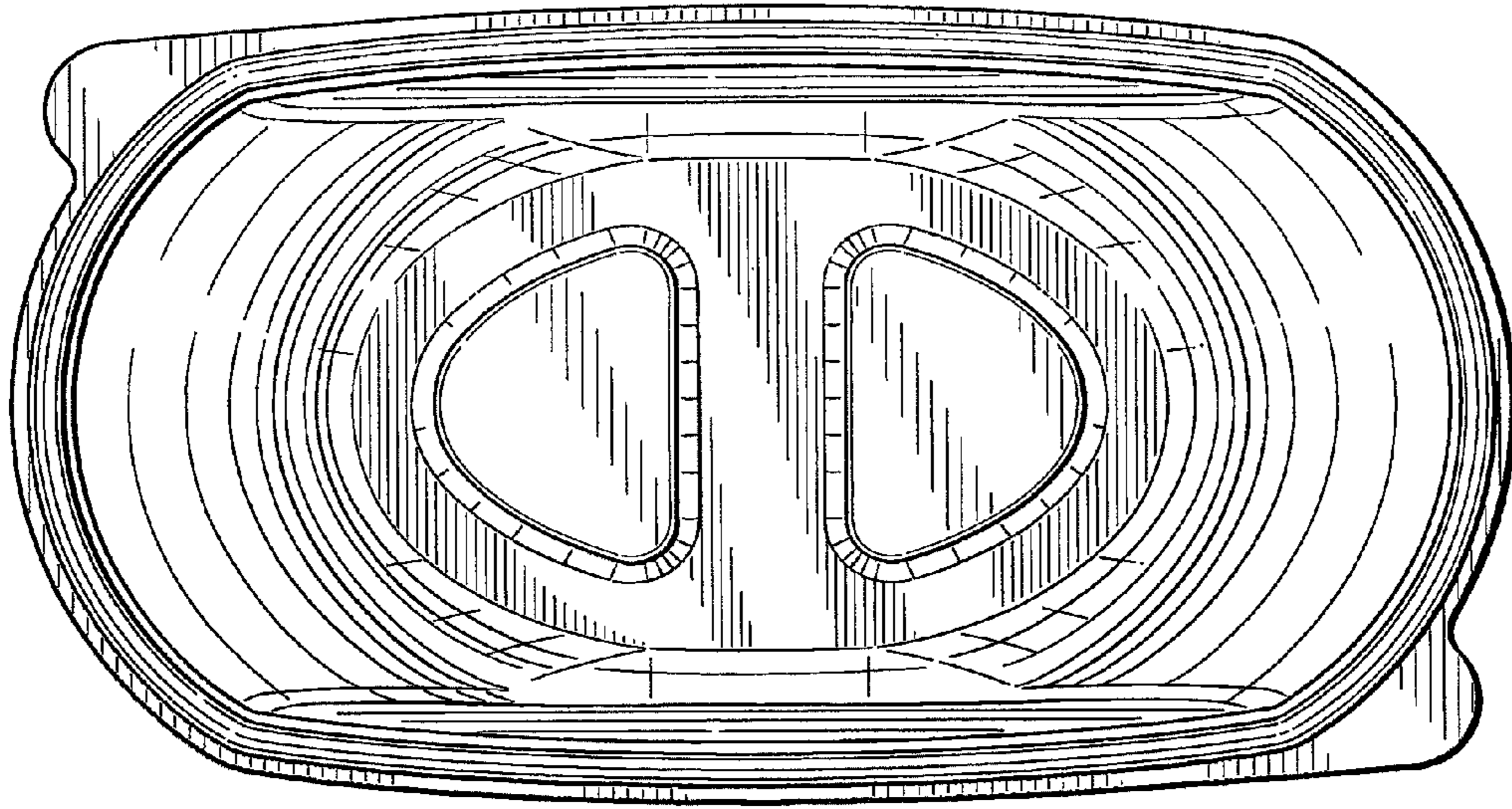


FIG. 20

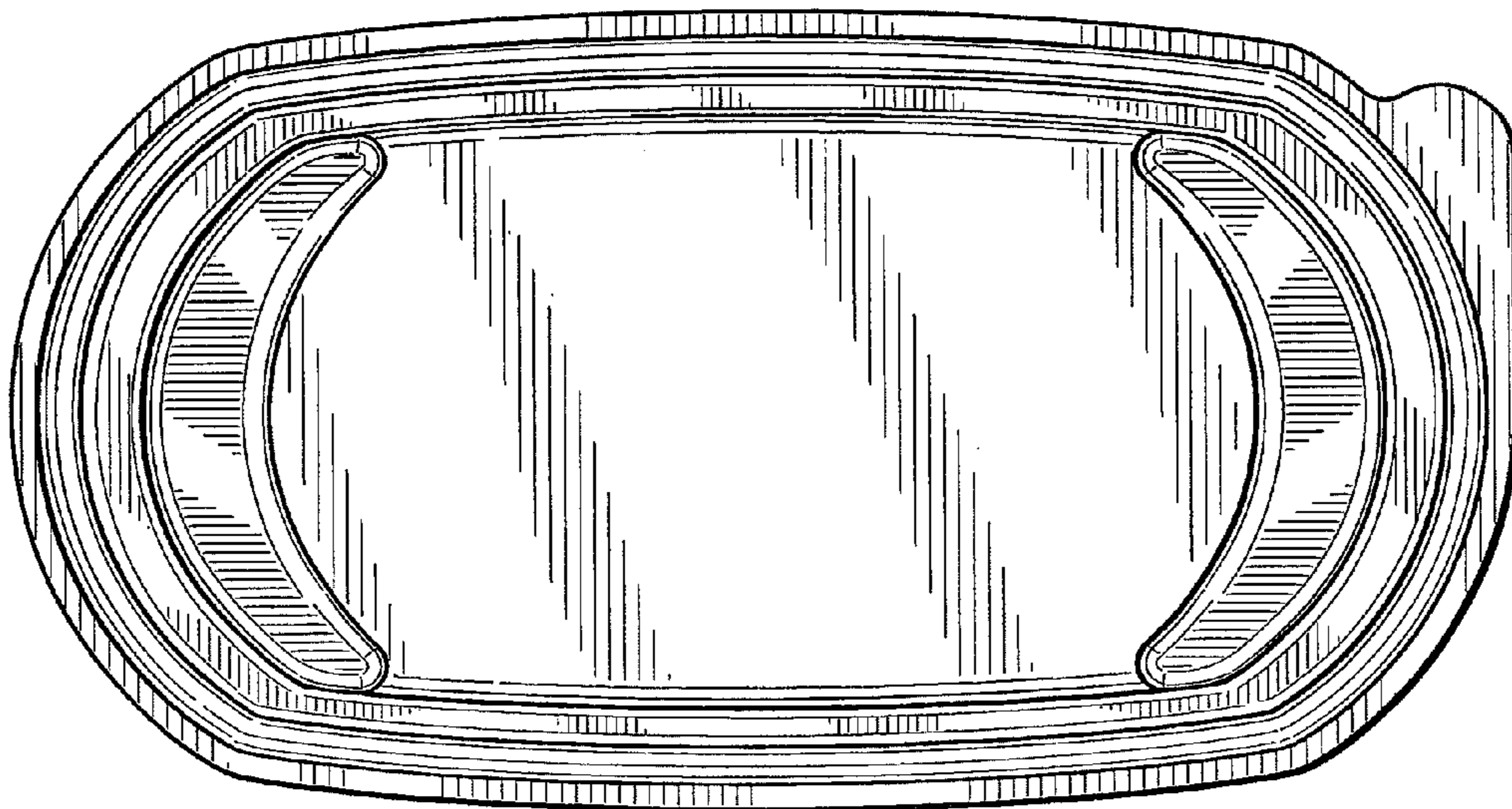


FIG. 21