



US00D706617S

(12) **United States Design Patent**  
**Hendricks**

(10) **Patent No.:** **US D706,617 S**  
(45) **Date of Patent:** **\*\* \*Jun. 10, 2014**

- (54) **FENCE CLIP**
- (75) Inventor: **Richard L. Hendricks**, Atkinson, NE (US)
- (73) Assignee: **Box T Brand, LLC**, Atkinson, NE (US)
- (\* ) Notice: This patent is subject to a terminal disclaimer.
- (\*\*) Term: **14 Years**
- (21) Appl. No.: **29/424,317**
- (22) Filed: **Jun. 11, 2012**
- (51) **LOC (10) Cl.** ..... **08-08**
- (52) **U.S. Cl.**  
USPC ..... **D8/394**; D8/370; D8/354
- (58) **Field of Classification Search**  
USPC ..... D8/354, 356, 371, 394-396, 370;  
D19/65, 86; D24/128; D21/392;  
D11/209; 248/74.2, 215, 227.1, 49,  
248/300, 301, 316.7, 51, 489, 302; 24/570,  
24/3.12, DIG. 9; 256/47, 65, 65.01, 71  
See application file for complete search history.

1,720,746 A	7/1929	Povlsen et al.	248/65
1,979,674 A	11/1934	Cowan	160/387
2,310,842 A	2/1943	Davitt	24/369
2,636,704 A	4/1953	Norberg	248/79
2,849,770 A	9/1958	Klancnik, Jr.	24/27
2,957,671 A	10/1960	Messier	248/220.43
3,145,963 A	8/1964	Best et al.	248/220.31
3,226,072 A	12/1965	Johnson	248/220.43
3,310,271 A	3/1967	King	248/220.43
3,488,025 A	1/1970	Rowland	248/339
3,578,226 A	5/1971	Good	294/137
4,029,281 A	6/1977	Marshall	248/220.31
4,078,755 A	3/1978	Erickson	248/220.31
4,174,552 A	11/1979	Franklin	24/716
D258,138 S *	2/1981	Wood	D8/370
D260,234 S	8/1981	Johnson, Jr.	D8/370
4,319,758 A	3/1982	Nicholson	277/550
D280,596 S	9/1985	Keeler	D8/382

(Continued)

Primary Examiner — Mark Goodwin

(74) *Attorney, Agent, or Firm* — Ryan T. Grace; Advent, LLP

(57) **CLAIM**

The ornamental design for a fence clip, as shown and described.

**DESCRIPTION**

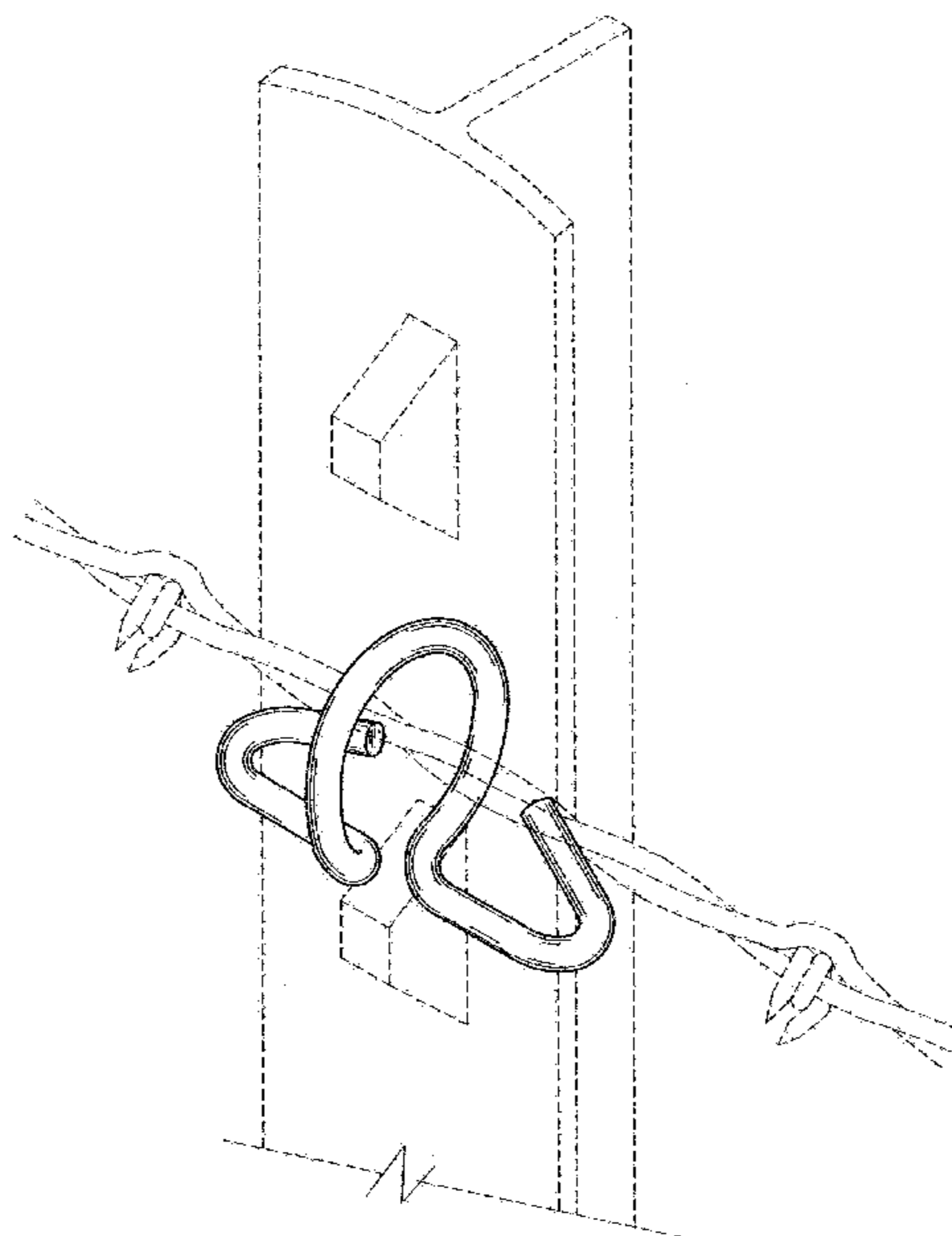
FIG. 1 is a perspective view of a fence clip.  
 FIG. 2 is a top plan view of the fence clip of FIG. 1.  
 FIG. 3 is a first side plan view of the fence clip of FIG. 1.  
 FIG. 4 is a second side plan view of the fence clip of FIG. 1.  
 FIG. 5 is a third side plan view of the fence clip of FIG. 1.  
 FIG. 6 is a fourth side plan view of the fence clip of FIG. 1; and,  
 FIG. 7 is a bottom plan view of the fence clip of FIG. 1.  
 Portions of FIGS. 1-7 are shown in dashed lines for illustrative purposes only and form no part of the claimed design.

**1 Claim, 4 Drawing Sheets**

(56) **References Cited**

U.S. PATENT DOCUMENTS

310,114 A	12/1884	Atwood	248/496
490,224 A	1/1893	Campbell	294/5.5
494,414 A	3/1893	Crump	24/533
D27,608 S	8/1897	Clark	D8/367
D28,889 S	6/1898	Forbes	D8/382
619,915 A	2/1899	Wentworth	248/65
D33,777 S	12/1900	Schmidt	D8/382
D34,560 S	5/1901	De Long	D19/65
D46,621 S	11/1914	Schade, Jr.	D8/395
1,528,111 A	3/1925	Jensch	24/360
1,712,752 A	5/1929	Rudolph	256/57



(56)

References Cited

U.S. PATENT DOCUMENTS

4,750,700	A	6/1988	Wade	248/220.43	D487,561	S	3/2004	Nguyen et al.	D8/370
4,809,894	A	3/1989	Vilo	224/248	6,802,495	B1 *	10/2004	Schmidt	256/57
D300,804	S *	4/1989	Myers	D8/373	D499,008	S	11/2004	Chang	D8/370
D310,955	S *	10/1990	Platten	D8/382	D499,956	S	12/2004	Wall	D8/370
D312,037	S	11/1990	Carlson	D8/356	7,025,309	B2	4/2006	Goodwin et al.	248/74.4
4,979,712	A	12/1990	Rios	248/215	D552,980	S	10/2007	Svedberg et al.	D8/395
5,104,082	A	4/1992	Bayer	248/303	D559,079	S	1/2008	Berry et al.	D8/343
D347,679	S	6/1994	Yetter et al.	D22/149	7,322,482	B2	1/2008	Caradonna	211/74
D348,854	S	7/1994	Salsgiver	D11/86	D566,538	S	4/2008	Wrase et al.	D8/395
D354,355	S	1/1995	Hilgers	D24/180	D568,145	S	5/2008	Handel	D8/370
D355,112	S	2/1995	Richeson	D8/367	D585,266	S	1/2009	Meyers	D8/370
1,999,218	A	4/1995	Tiryakian	248/304	D599,646	S	9/2009	Meyers	D8/370
5,490,650	A	2/1996	Pendergrass	248/220.31	D600,101	S *	9/2009	Meyers	D8/370
5,501,035	A	3/1996	Downer et al.	47/47	D600,102	S	9/2009	Larkin	D8/370
5,662,446	A	9/1997	Haan	411/514	7,735,189	B2	6/2010	Richardson	16/87.2
5,996,955	A	12/1999	Chen	248/302	7,766,285	B2	8/2010	Cox et al.	248/74.2
D423,916	S	5/2000	Kalat	D8/370	D629,291	S	12/2010	Veilleux	D8/370
6,135,693	A	10/2000	Leitzke et al.	411/530	7,869,844	B2 *	1/2011	Lee et al.	455/575.4
D433,930	S *	11/2000	Kalat	D8/395	7,967,346	B2 *	6/2011	Kim et al.	292/80
D434,308	S	11/2000	Kalat	D8/395	D645,731	S	9/2011	Williams	D8/370
D434,309	S	11/2000	Kalat	D8/395	D651,066	S	12/2011	Johnson, III	D8/354
D434,310	S *	11/2000	Kalat	D8/395	D659,519	S	5/2012	Berkowitz	D8/367
D438,782	S	3/2001	Kalat	D8/395	D661,574	S	6/2012	Platt	D8/367
D458,116	S	6/2002	Roethler	D8/367	D672,227	S *	12/2012	Hendricks	D8/394
D464,560	S	10/2002	Kalat	D8/370	D672,228	S *	12/2012	Hendricks	D8/394
D464,867	S	10/2002	Samelson	D8/367	D673,031	S *	12/2012	Hendricks et al.	D8/394
D464,869	S	10/2002	Kalat	D8/370	D687,291	S *	8/2013	Hendricks	D8/394
6,631,539	B1	10/2003	Chang	24/599.4	2002/0000504	A1	1/2002	Bayne	248/302
6,659,414	B1	12/2003	Guilmette	248/303	2006/0016943	A1	1/2006	Thompson	248/175
					2007/0261330	A1	11/2007	Liu	52/235
					2010/0283023	A1 *	11/2010	Thompson	256/35

\* cited by examiner

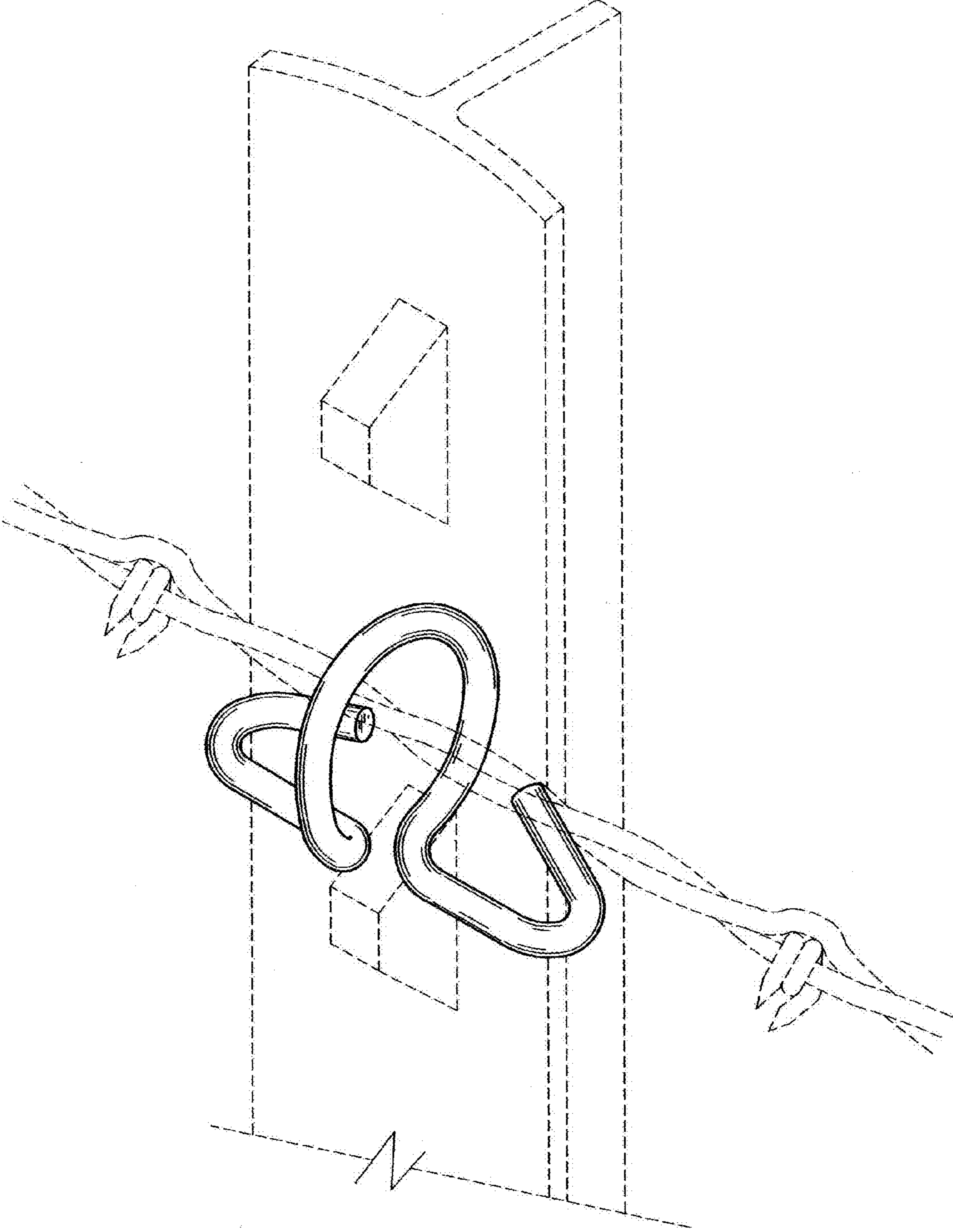


FIG. 1



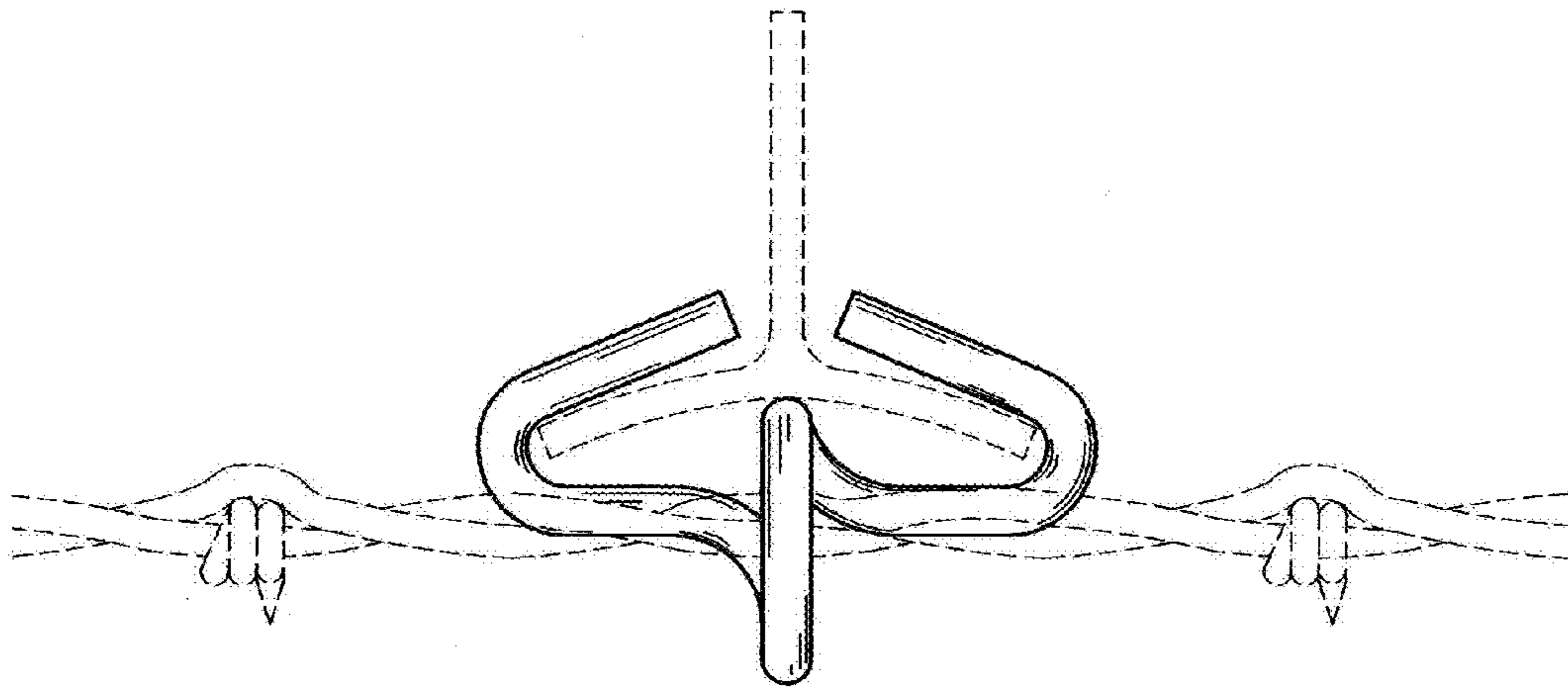


FIG. 2

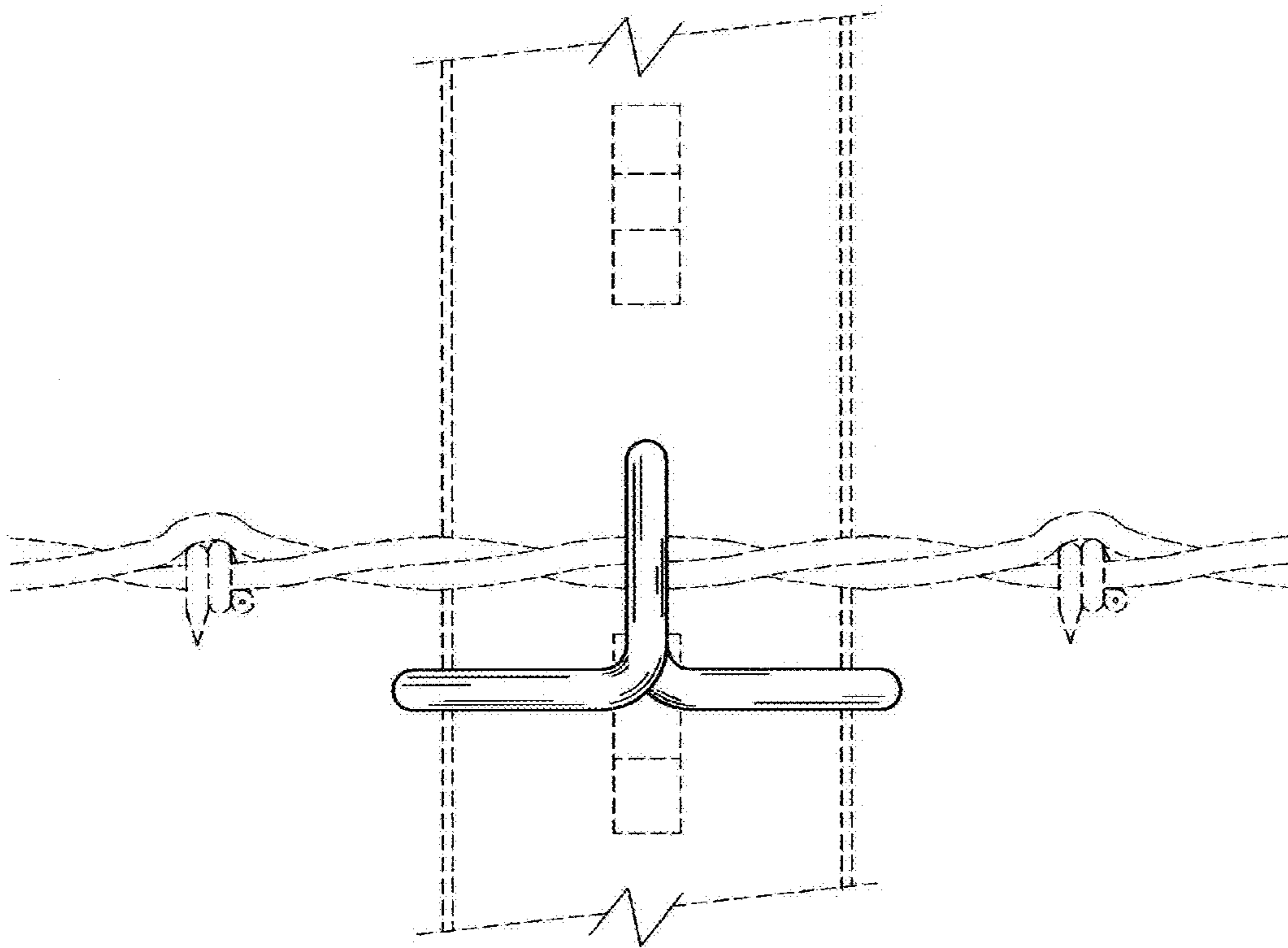
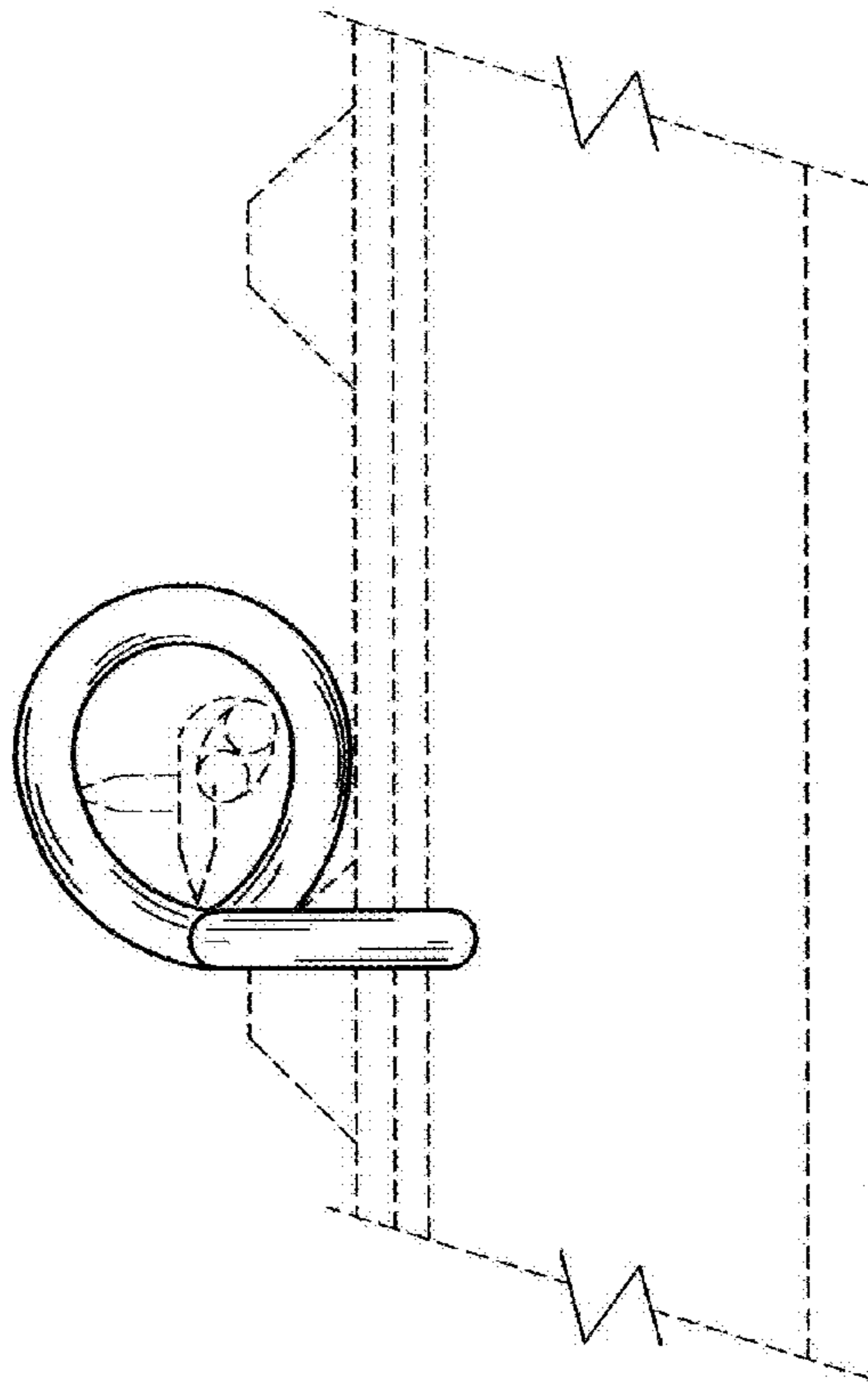
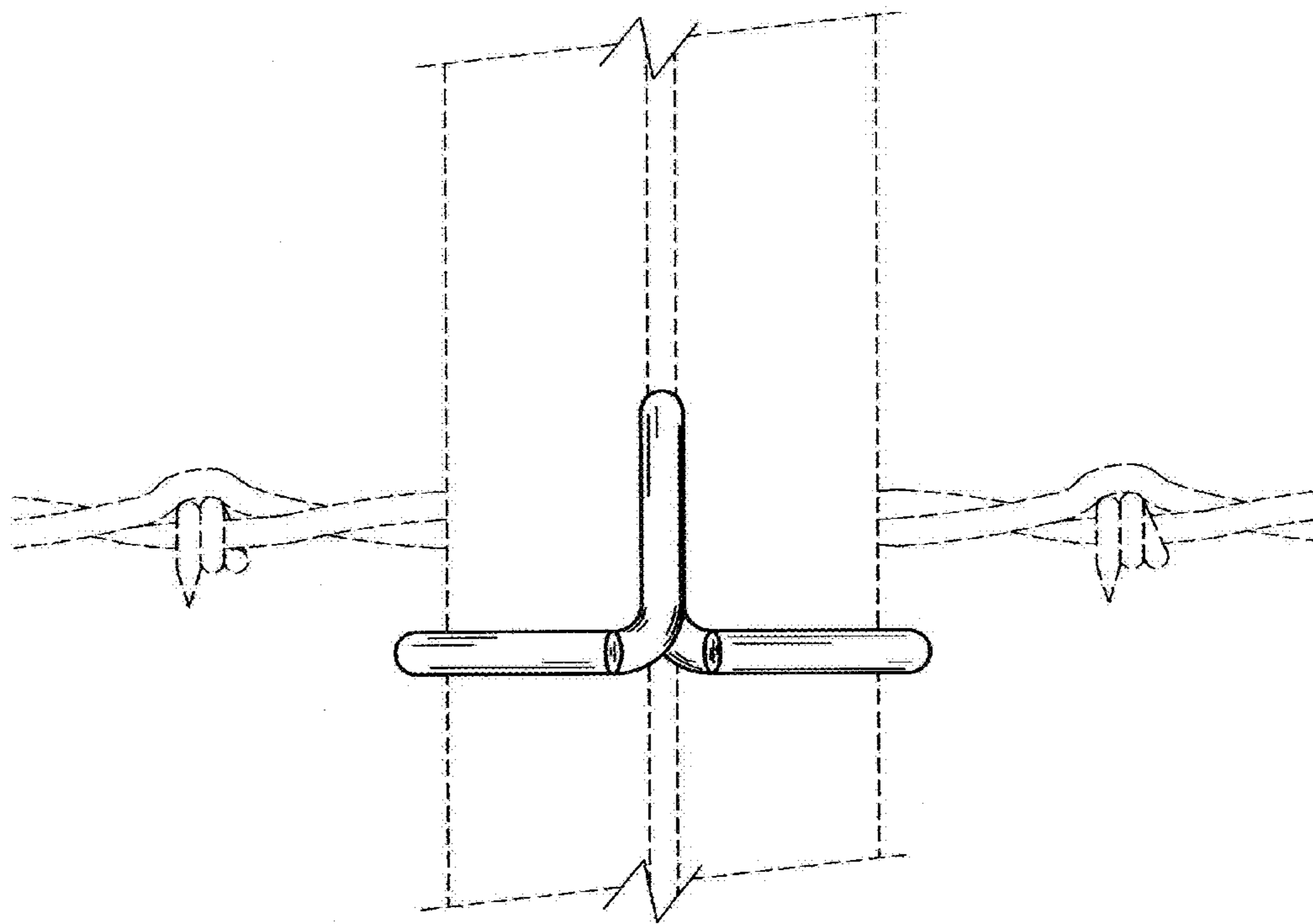


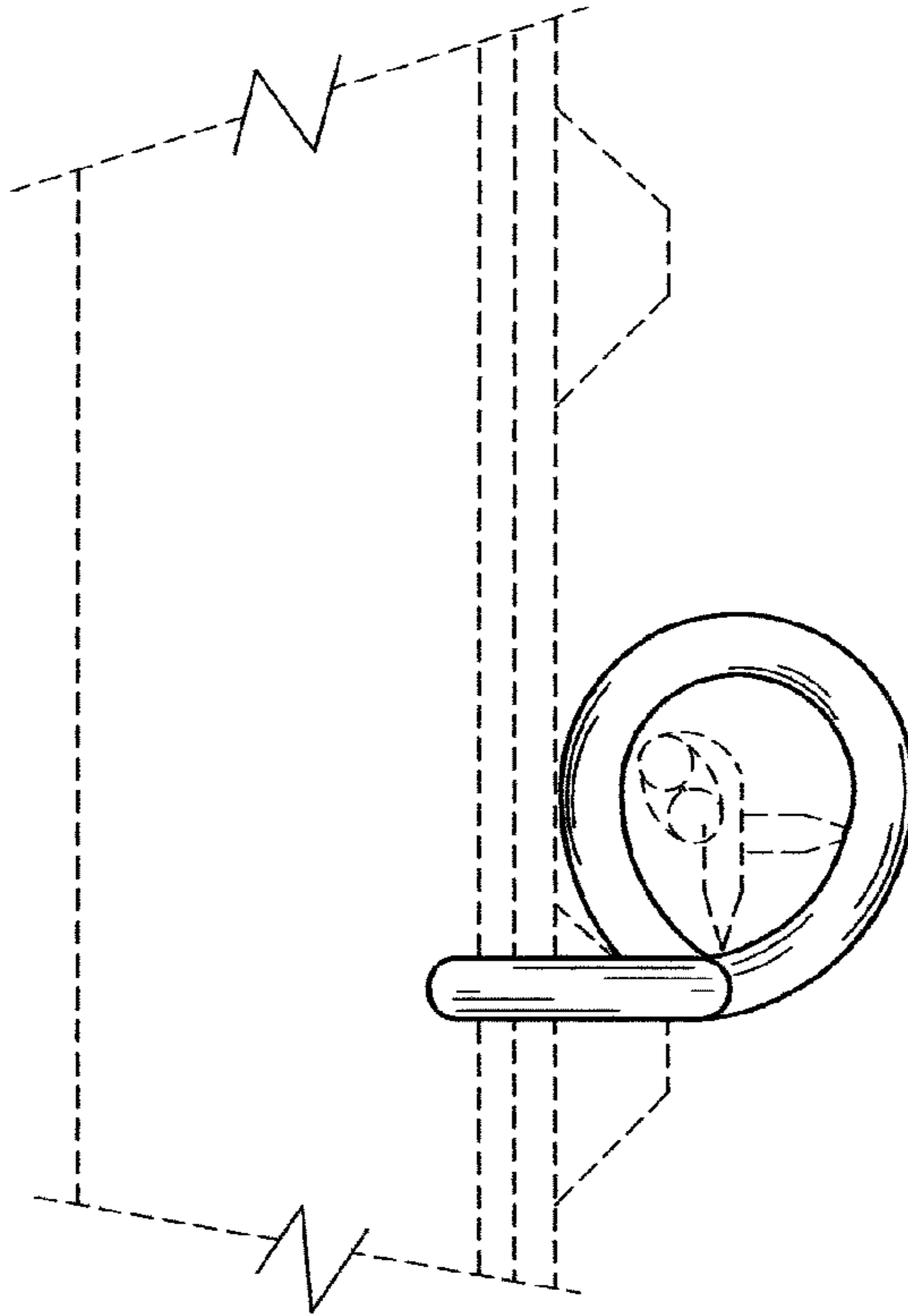
FIG. 3



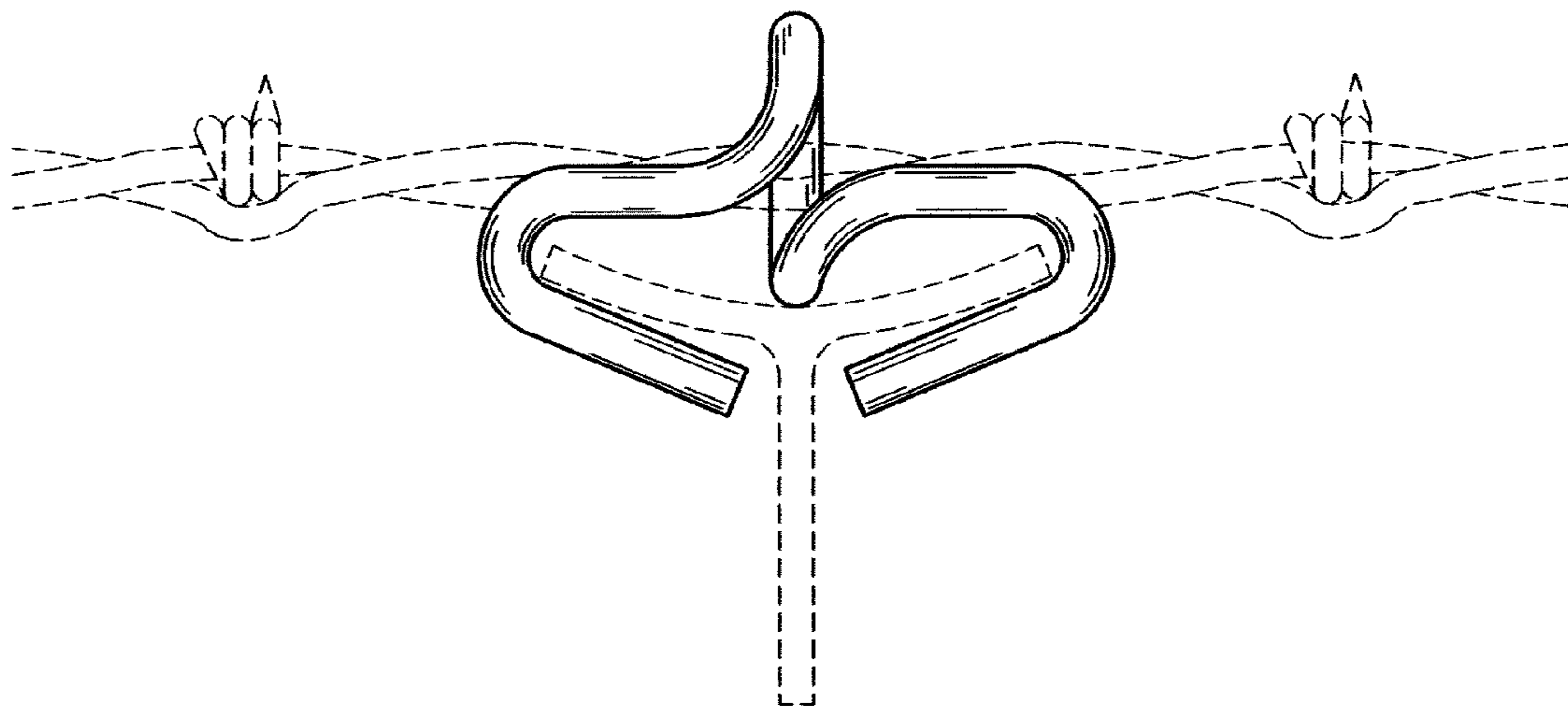
*FIG. 4*



*FIG. 5*



**FIG. 6**



**FIG. 7**