



US00D706614S

(12) **United States Design Patent**
Schraufnagel et al.

(10) **Patent No.:** **US D706,614 S**
(45) **Date of Patent:** **** Jun. 10, 2014**

- (54) **HOOK RAIL**
- (71) Applicant: **Liberty Hardware Mfg. Corp.**,
Winston-Salem, NC (US)
- (72) Inventors: **Natalie A. Schraufnagel**, Chicago, IL
(US); **Adam W. Callif**, Chicago, IL (US)
- (73) Assignee: **Liberty Hardware Mfg. Corp.**,
Winston-Salem, NC (US)
- (**) Term: **14 Years**
- (21) Appl. No.: **29/472,274**
- (22) Filed: **Nov. 11, 2013**
- (51) **LOC (10) Cl.** **08-05**
- (52) **U.S. Cl.**
USPC **D8/372**
- (58) **Field of Classification Search**
USPC D8/367, 354, 349, 373, 372, 370, 351,
D8/365, 353, 377, 371; D6/323;
248/301-304, 339, 205.3; D11/233,
D11/224, 219, 239, 158; D26/146
See application file for complete search history.

(56) **References Cited**

U.S. PATENT DOCUMENTS

D13,698	S	*	3/1883	Hotchkiss	D8/371
4,464,440	A	*	8/1984	Dotzman	428/542.4
D324,314	S	*	3/1992	Licari et al.	D6/323
5,832,572	A	*	11/1998	Norrby	24/600.9
D426,390	S	*	6/2000	Green et al.	D6/323
D430,791	S	*	9/2000	Henry et al.	D8/367
D444,377	S	*	7/2001	Harvey	D8/371
D446,158	S	*	8/2001	Benjamin	D11/158

D489,248	S	*	5/2004	Hood	D8/367
D499,008	S	*	11/2004	Chang	D8/370
D566,532	S	*	4/2008	Wolff	D8/367
D574,224	S	*	8/2008	Zhang	D8/372
D583,222	S	*	12/2008	Rota	D8/367
D614,480	S	*	4/2010	Goodman et al.	D8/372
D647,389	S	*	10/2011	Gracia	D8/367
D647,390	S	*	10/2011	Goodman et al.	D8/372
D655,632	S	*	3/2012	van der Lande	D10/40
D666,081	S	*	8/2012	Barry	D8/367
D666,084	S	*	8/2012	Rojas et al.	D8/367
D669,767	S	*	10/2012	Burley	D8/370
D671,822	S	*	12/2012	van der Lande	D8/395
D672,636	S	*	12/2012	Krumpe	D8/367
D674,635	S	*	1/2013	van der Lande	D6/534
D682,663	S	*	5/2013	Evon	D8/367
D684,449	S	*	6/2013	Frey	D8/71

* cited by examiner

Primary Examiner — Cynthia Underwood

(74) *Attorney, Agent, or Firm* — Lora J. Graentzdoerffer

(57) **CLAIM**

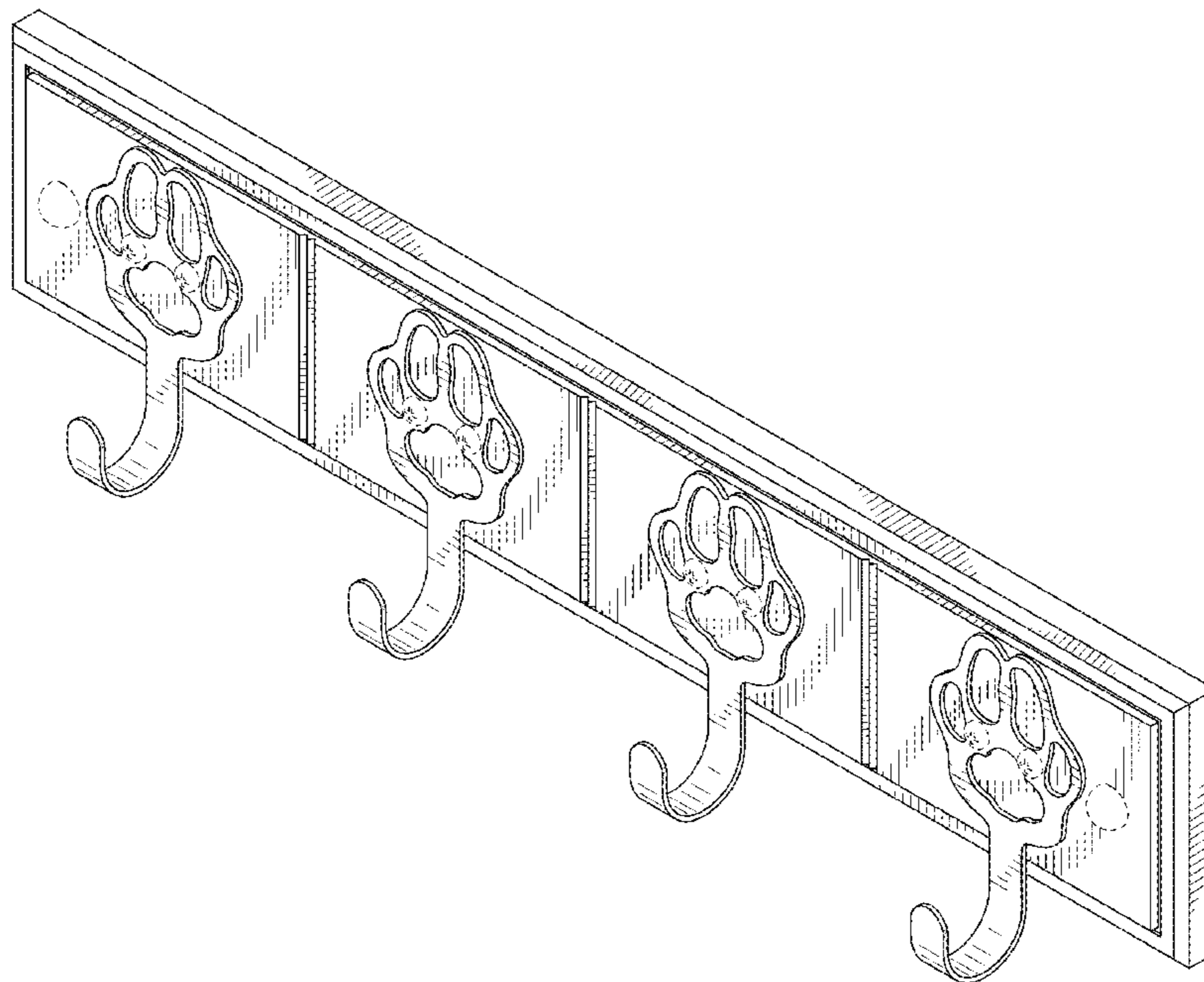
The ornamental design for a hook rail, as shown and described.

DESCRIPTION

FIG. 1 is a perspective view thereof;
FIG. 2 is a front elevational view thereof;
FIG. 3 is a left side elevational view thereof;
FIG. 4 is a right side elevational view thereof;
FIG. 5 is a top plan view thereof; and,
FIG. 6 is a bottom plan view thereof.

The broken-line disclosure in the views represents portions of the article in which the claimed design is embodied, but which form no part of the claimed design.

1 Claim, 4 Drawing Sheets



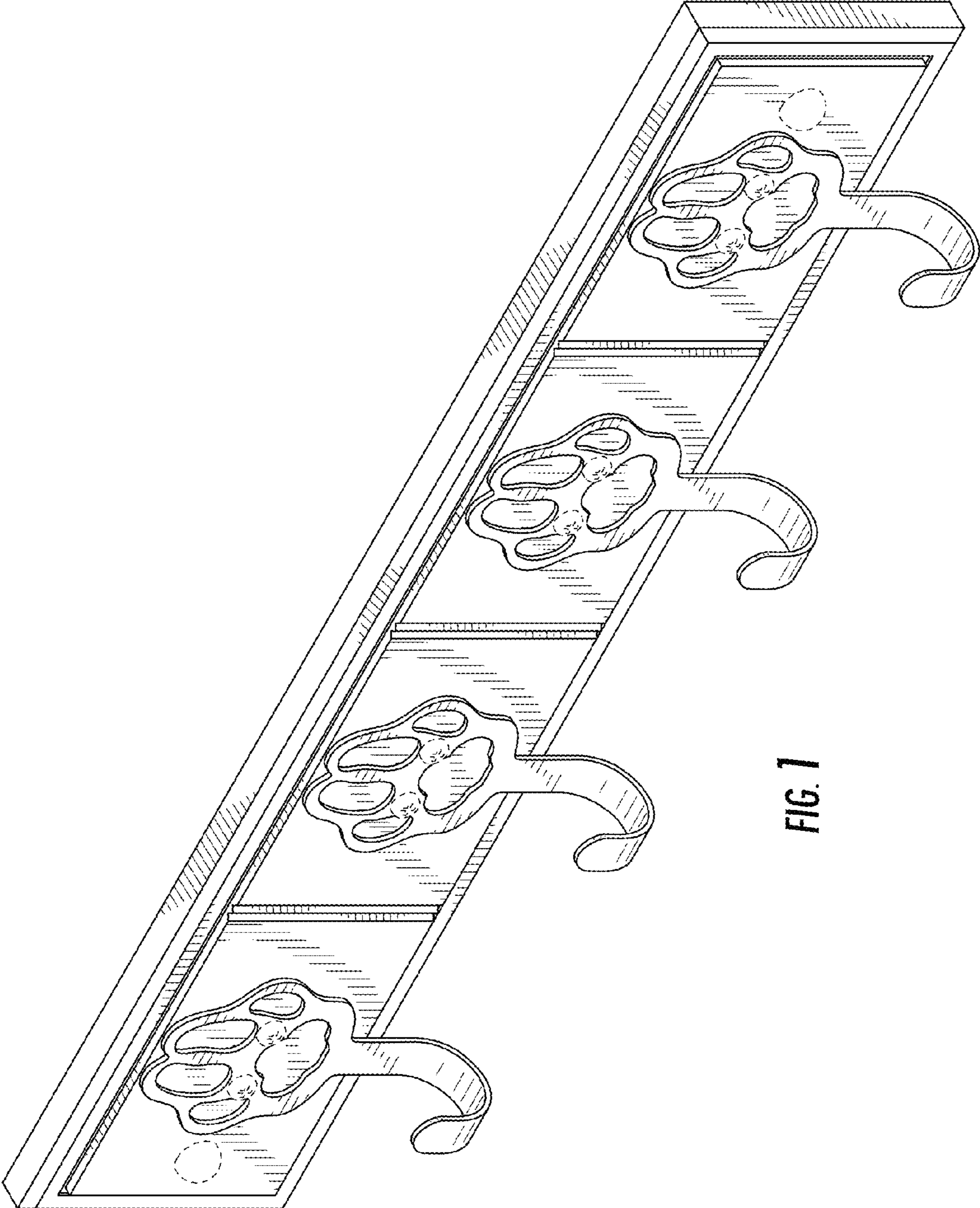


FIG. 1

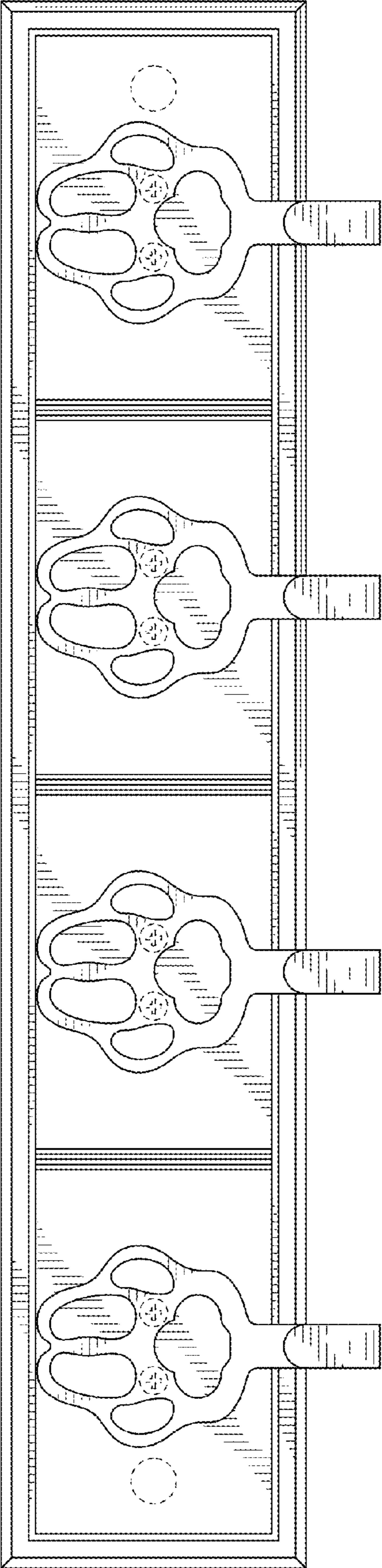


FIG. 2

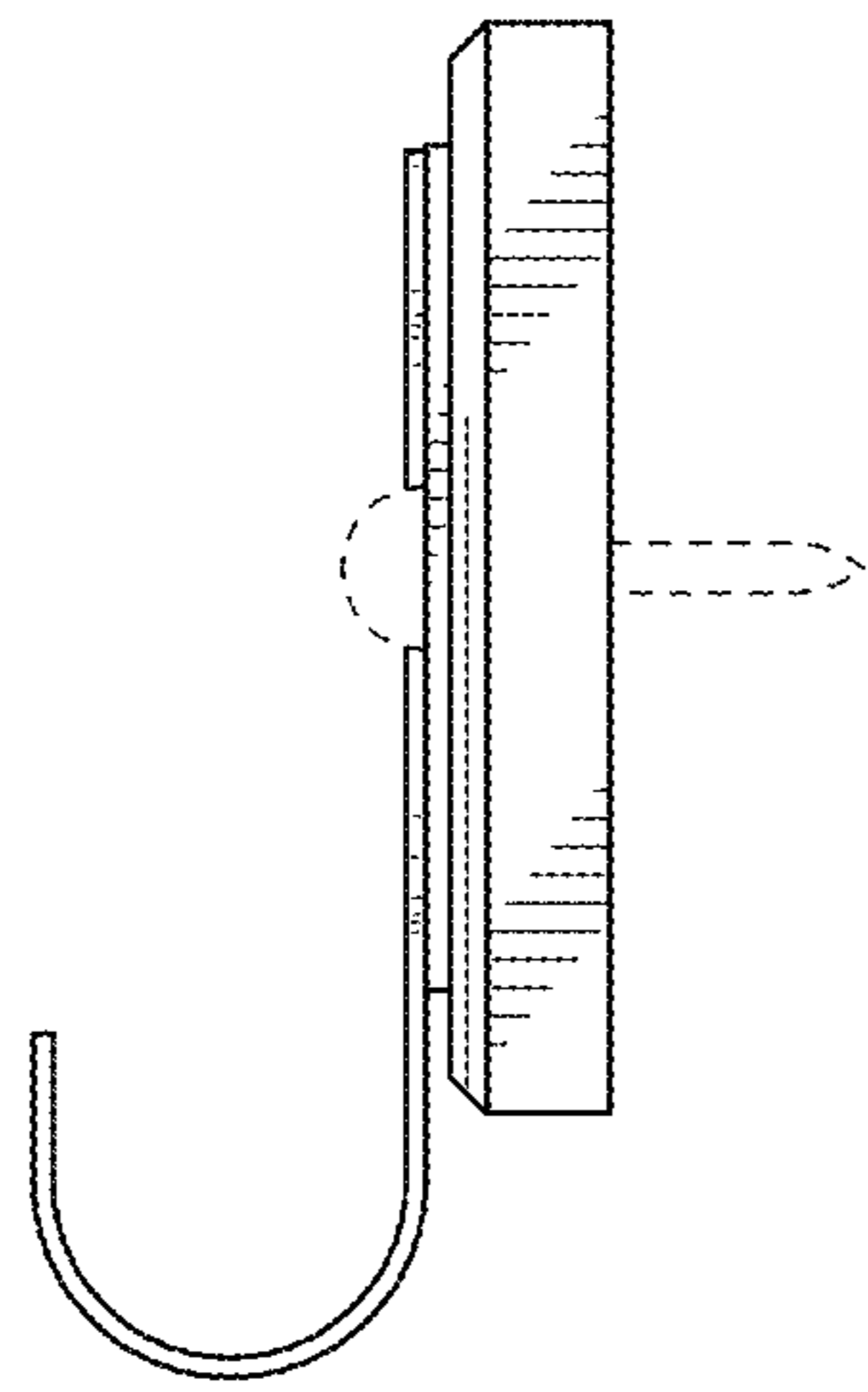


FIG. 3

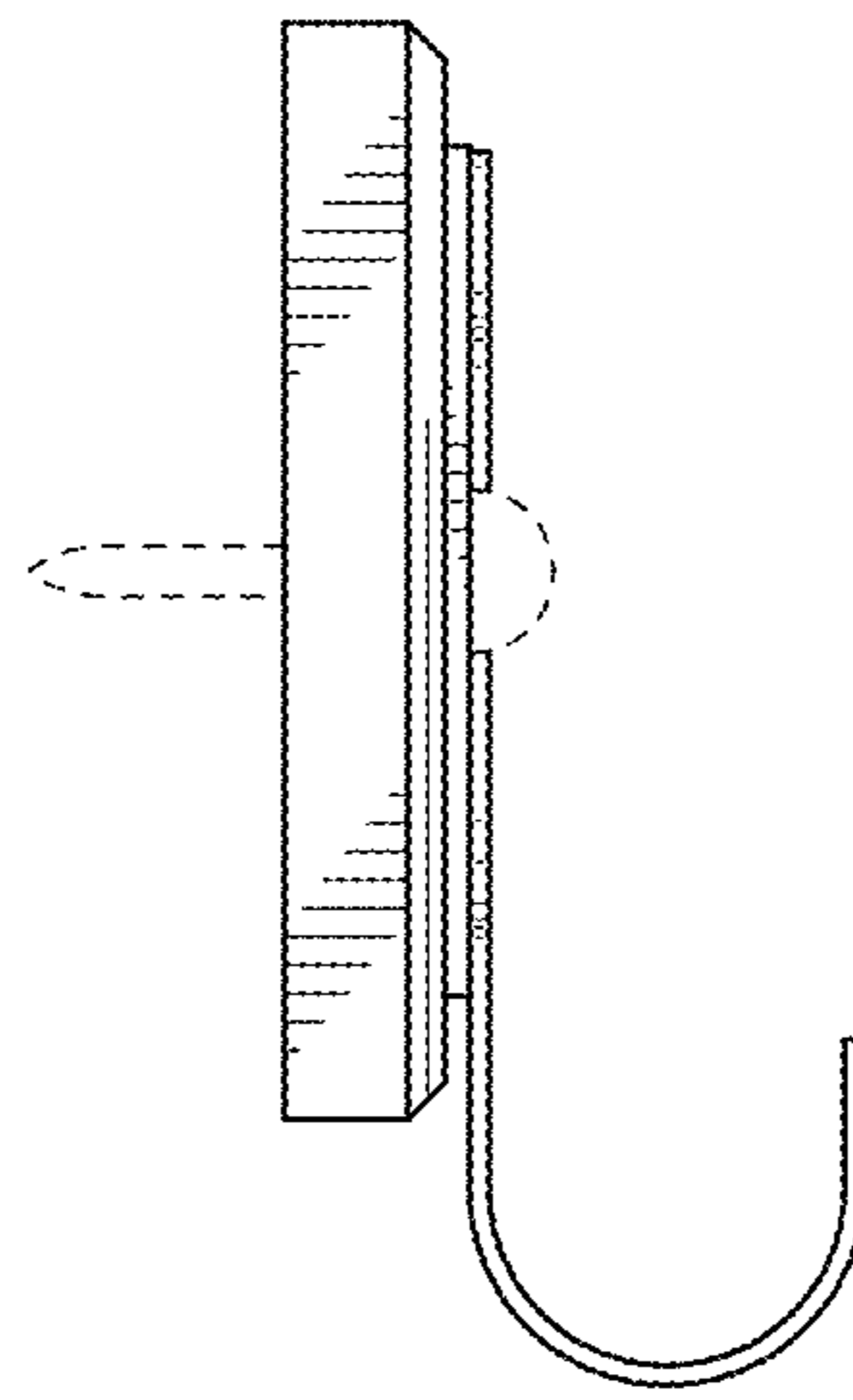


FIG. 4

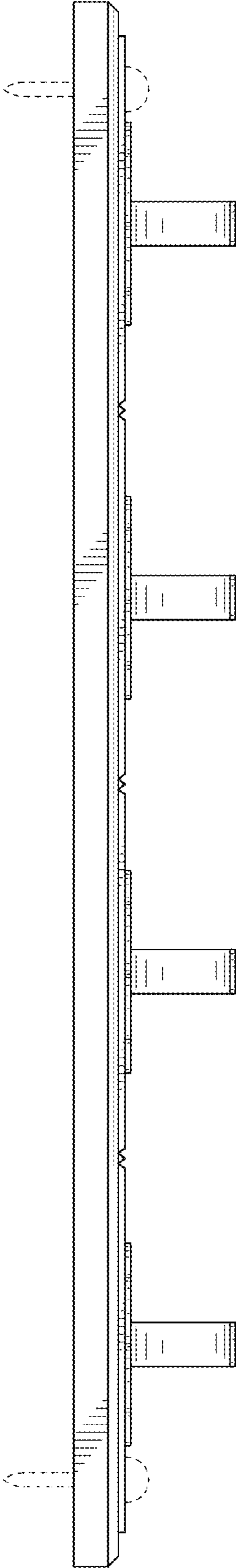


FIG. 5

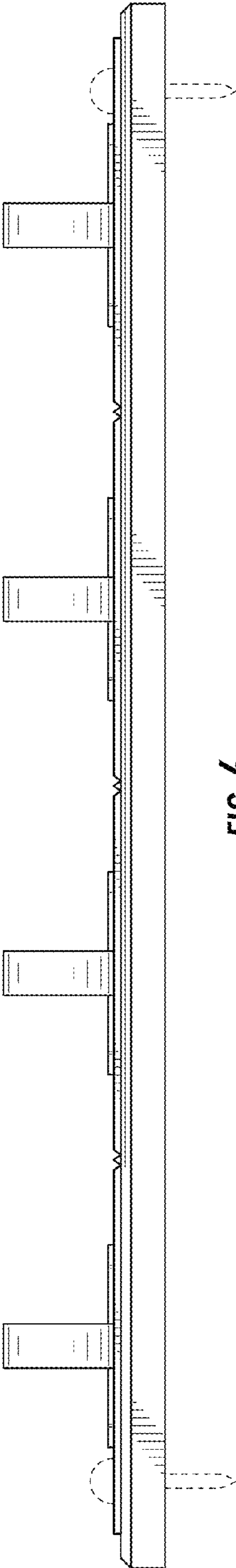


FIG. 6