



US00D706612S

(12) **United States Design Patent**
Goodman et al.

(10) **Patent No.:** **US D706,612 S**
(45) **Date of Patent:** **** Jun. 10, 2014**

(54) **HOOK**

DESCRIPTION

- (71) Applicant: **Spectrum Diversified Designs, Inc.**,
Streetsboro, OH (US)
- (72) Inventors: **Sheldon H. Goodman**, Solon, OH (US);
Phaysouk Xayoiphonh, Akron, OH
(US); **Jennifer Case**, Middleburgh
Heights, OH (US)
- (73) Assignee: **Spectrum Diversified Designs, Inc.**,
Streetsboro, OH (US)
- (**) Term: **14 Years**
- (21) Appl. No.: **29/441,500**
- (22) Filed: **Jan. 7, 2013**
- (51) **LOC (10) Cl.** **08-05**
- (52) **U.S. Cl.**
USPC **D8/372**
- (58) **Field of Classification Search**
USPC D8/367, 370, 372; 248/302–303;
211/105.1, 106, 112, 119
See application file for complete search history.

FIG. 1 is a perspective view of ornamental hook showing a new design;
 FIG. 2 is a front view of the ornamental hook of FIG. 1;
 FIG. 3 is a side view of the ornamental hook of FIG. 1;
 FIG. 4 is a rear view of the ornamental hook of FIG. 1;
 FIG. 5 is a top view of the ornamental hook of FIG. 1;
 FIG. 6 is a bottom view of the ornamental hook of FIG. 1;
 FIG. 7 is a perspective view of another embodiment of the ornamental hook showing a new design;
 FIG. 8 is a front view of the ornamental hook of FIG. 7;
 FIG. 9 is a side view of the ornamental hook of FIG. 7;
 FIG. 10 is a rear view of the ornamental hook of FIG. 7;
 FIG. 11 is a top view of the ornamental hook of FIG. 7;
 FIG. 12 is a bottom view of the ornamental hook of FIG. 7;
 FIG. 13 is a perspective view of another embodiment of the ornamental hook showing a new design;
 FIG. 14 is a front view of the ornamental hook of FIG. 13;
 FIG. 15 is a side view of the ornamental hook of FIG. 13;
 FIG. 16 is a rear view of the ornamental hook of FIG. 13;
 FIG. 17 is a top view of the ornamental hook of FIG. 13;
 FIG. 18 is a bottom view of the ornamental hook of FIG. 13;
 FIG. 19 is a perspective view of another embodiment of the ornamental hook showing a new design;
 FIG. 20 is a front view of the ornamental hook of FIG. 19;
 FIG. 21 is a side view of the ornamental hook of FIG. 19;
 FIG. 22 is a rear view of the ornamental hook of FIG. 19;
 FIG. 23 is a top view of the ornamental hook of FIG. 19; and,
 FIG. 24 is a bottom view of the ornamental hook of FIG. 19.
 The broken lines showing the circular ends of the hooks, openings and over the door brackets are for the purposes of illustrating environment and form no part of the claimed design. The broken lines adjacent to the shading on the extending bar represent the boundaries of the claim and form no part of the claimed design.

(56) **References Cited**

U.S. PATENT DOCUMENTS

- D357,403 S * 4/1995 Goodman et al. D8/372
- D363,208 S * 10/1995 Seidel D8/372

(Continued)

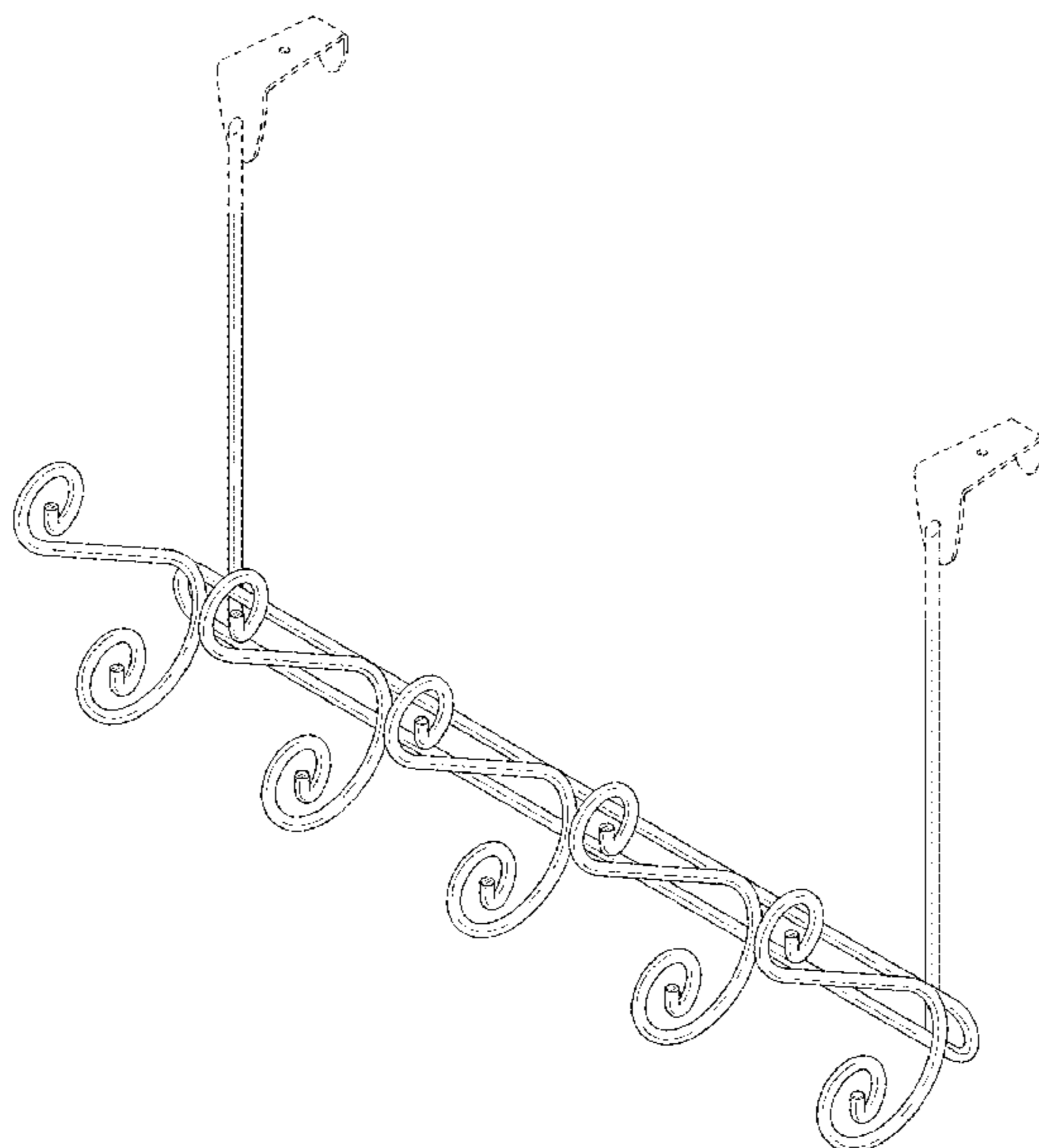
Primary Examiner — Holly Baynham

(74) *Attorney, Agent, or Firm* — Benesch, Friedlander, Coplan & Aronoff, LLP

(57) **CLAIM**

What is claimed is the ornamental design for ornamental hook, as shown and described.

1 Claim, 12 Drawing Sheets



(56)

References Cited

U.S. PATENT DOCUMENTS

D421,382 S * 3/2000 Abdi D8/372
D436,839 S * 1/2001 Goodman et al. D8/372
D461,706 S * 8/2002 Goodman et al. D8/372
D465,406 S * 11/2002 Goodman et al. D8/372
D465,998 S * 11/2002 Goodman et al. D8/372

D466,396 S * 12/2002 Snell D8/372
D472,134 S * 3/2003 Goodman et al. D8/372
D473,454 S * 4/2003 Goodman et al. D8/370
D473,455 S * 4/2003 Goodman et al. D8/372
D479,796 S * 9/2003 Snell D8/372
D568,725 S * 5/2008 Snider D8/372
D669,768 S * 10/2012 Tawil D8/372

* cited by examiner

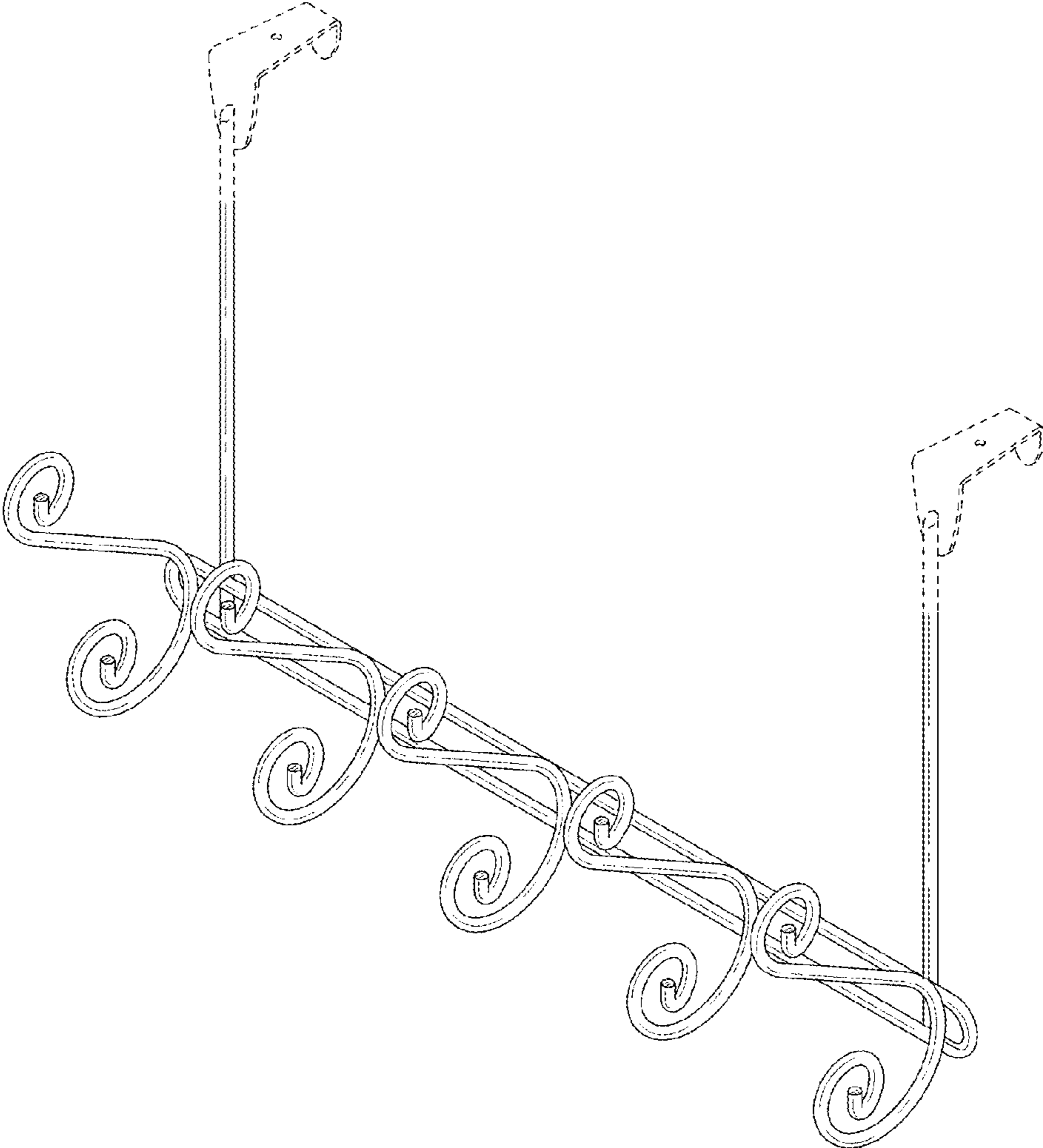


FIG 1

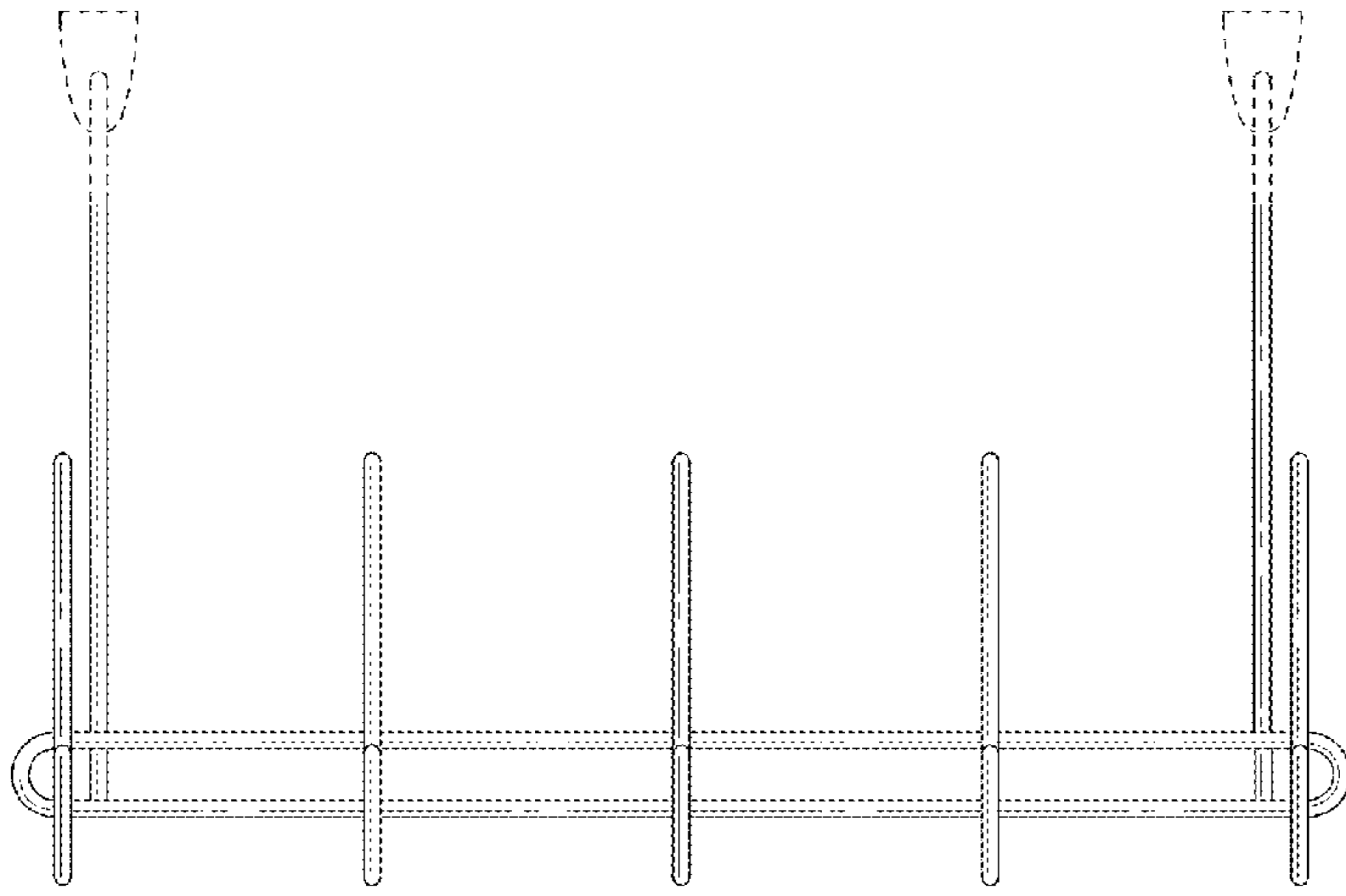


FIG 2

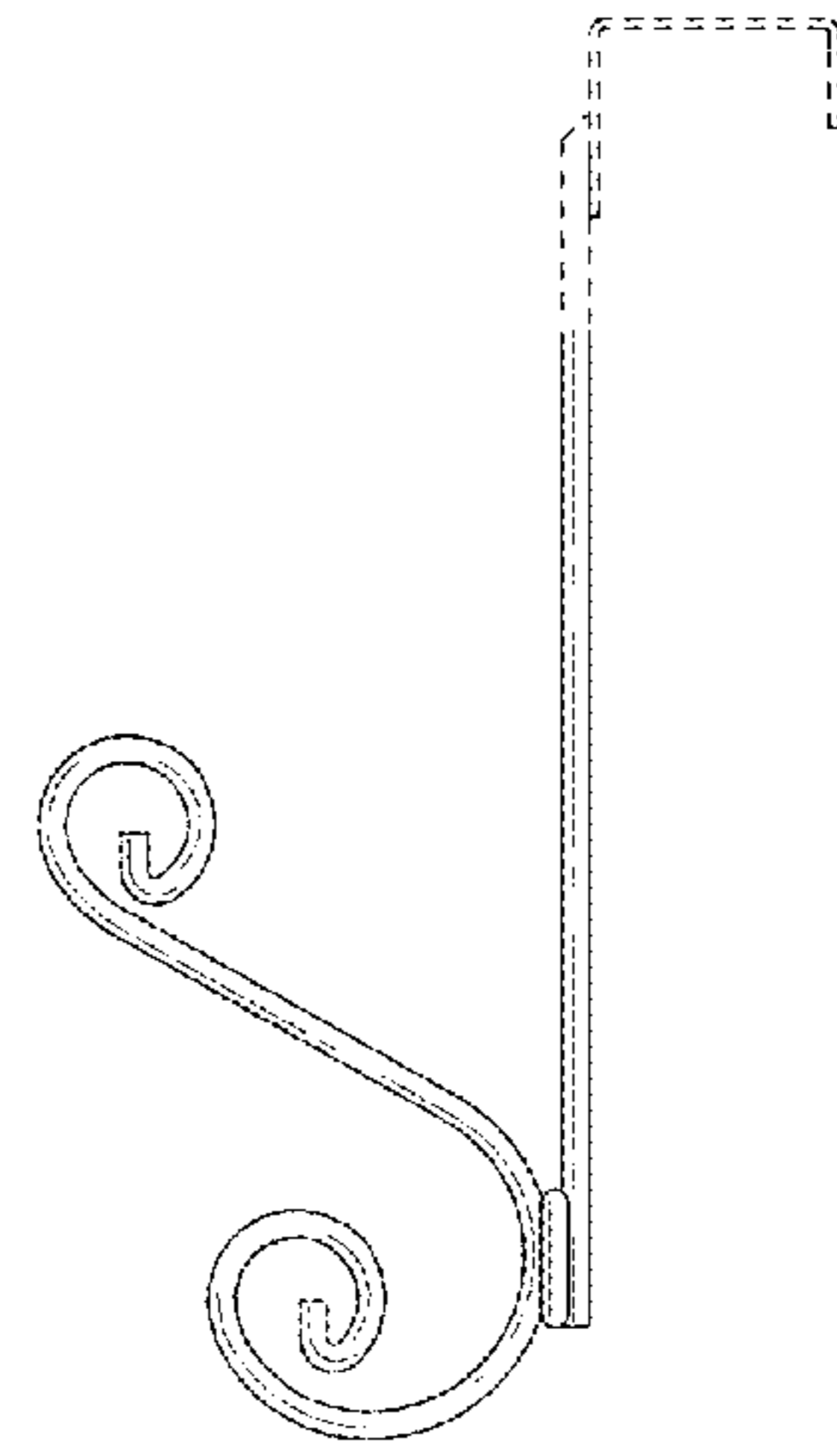


FIG 3

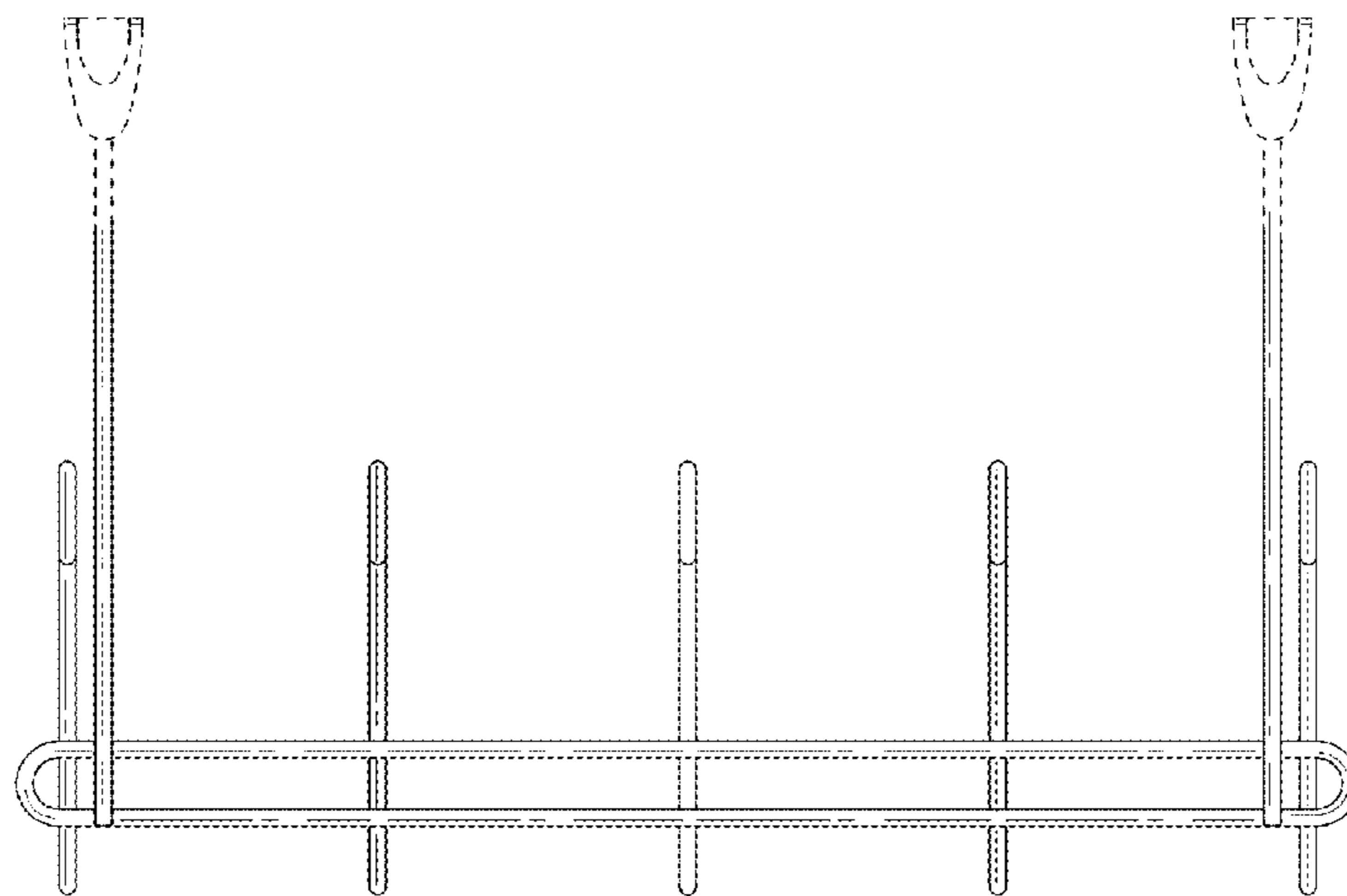


FIG 4

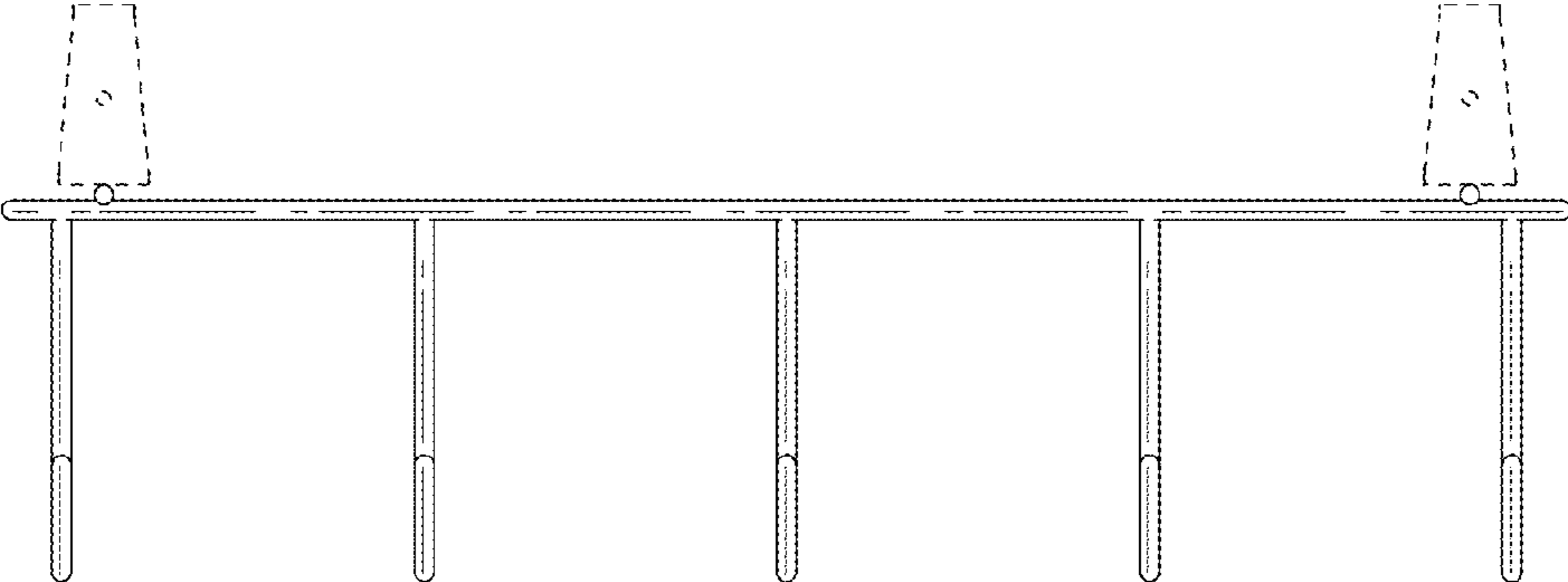


FIG 5

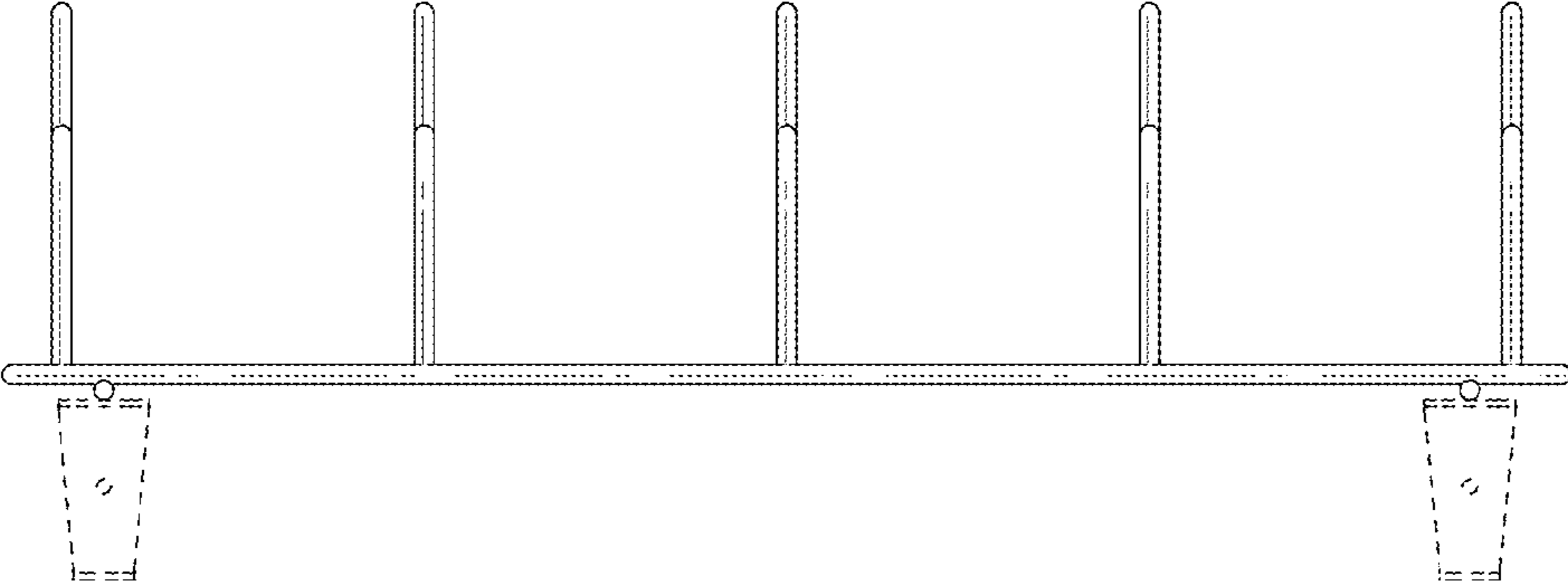


FIG 6

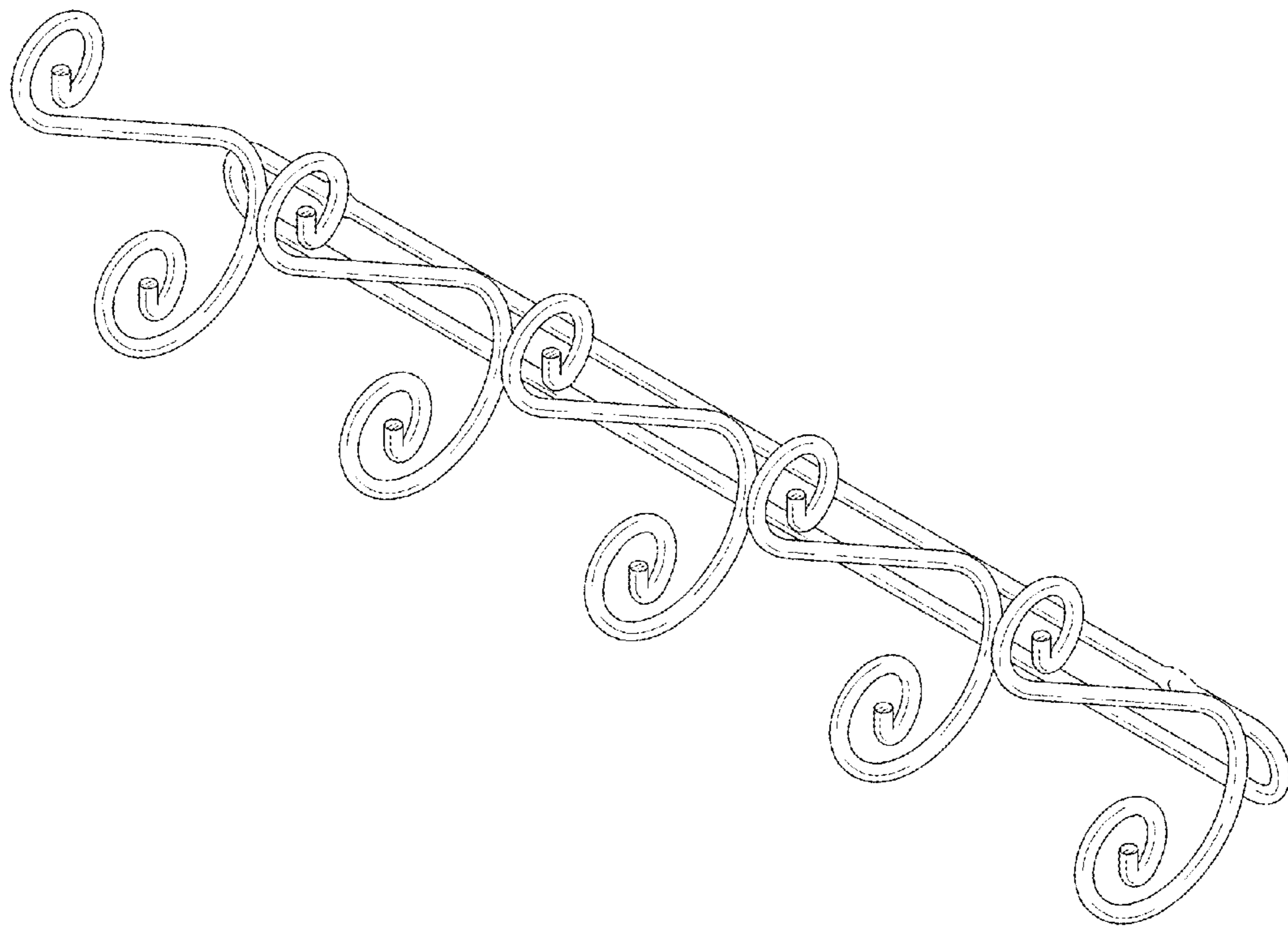


FIG 7

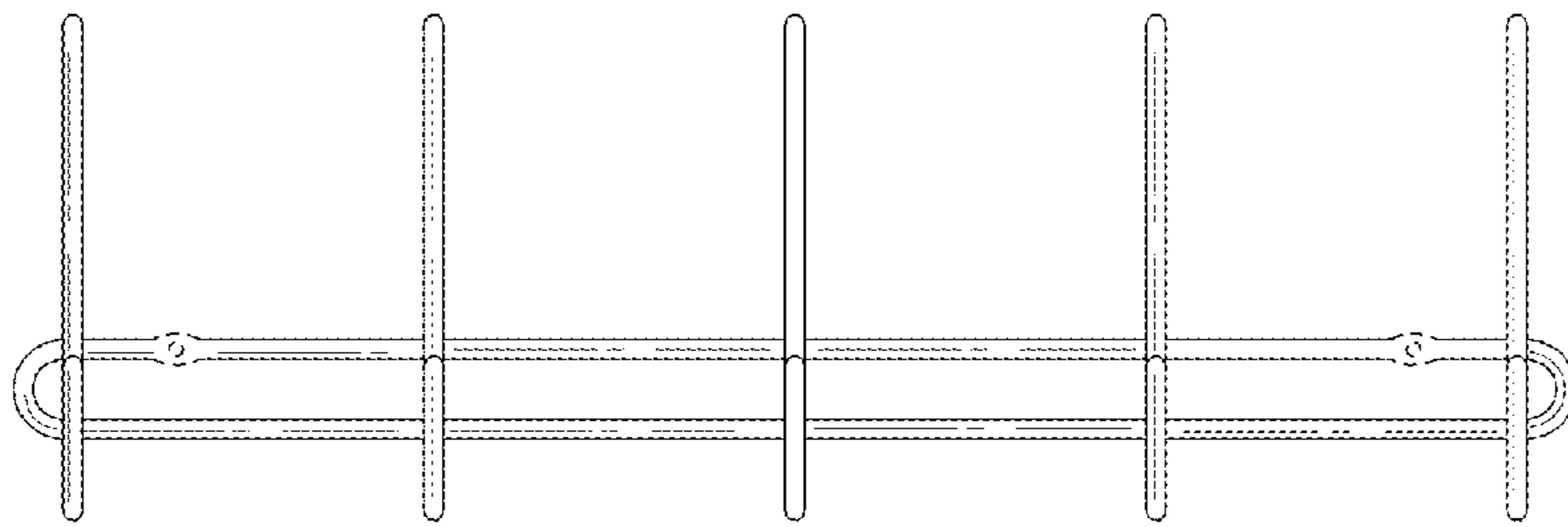


FIG 8

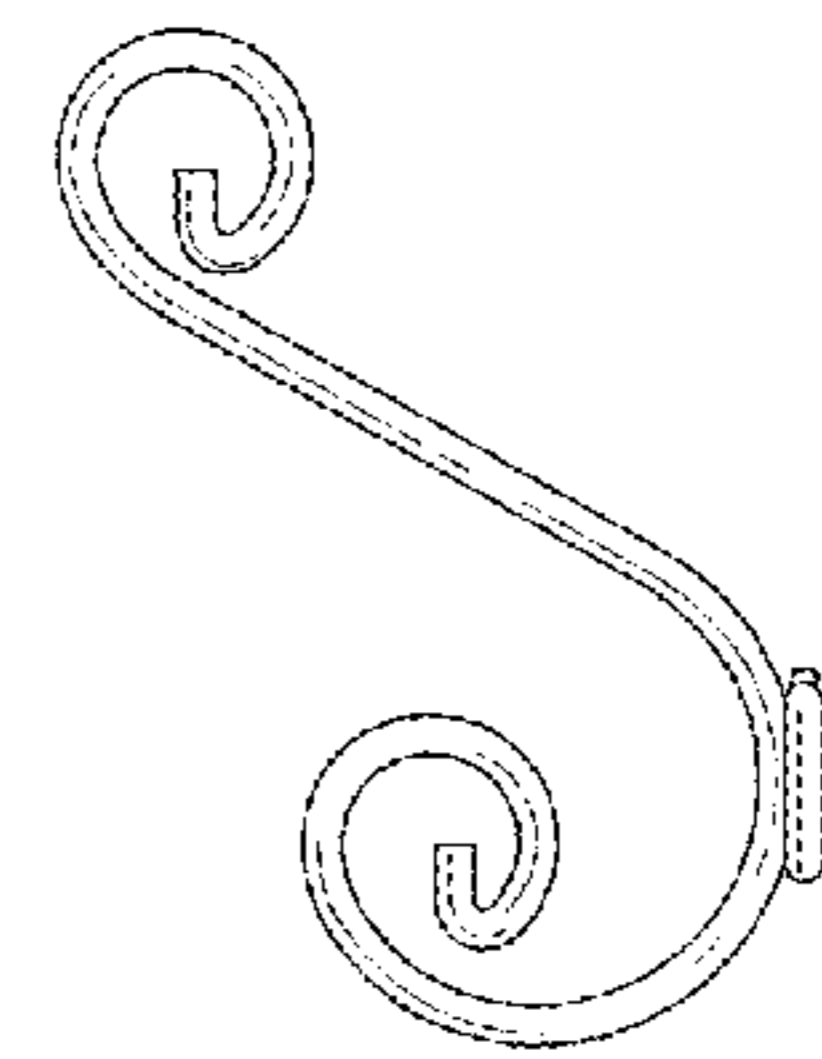


FIG 9

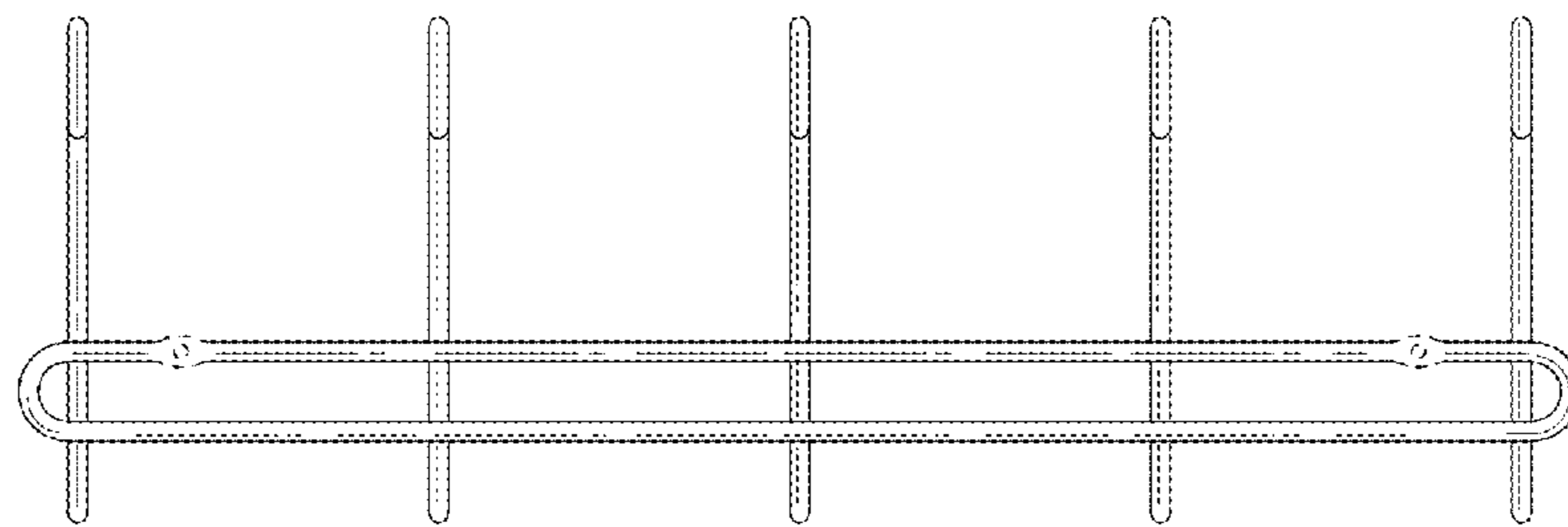


FIG 10

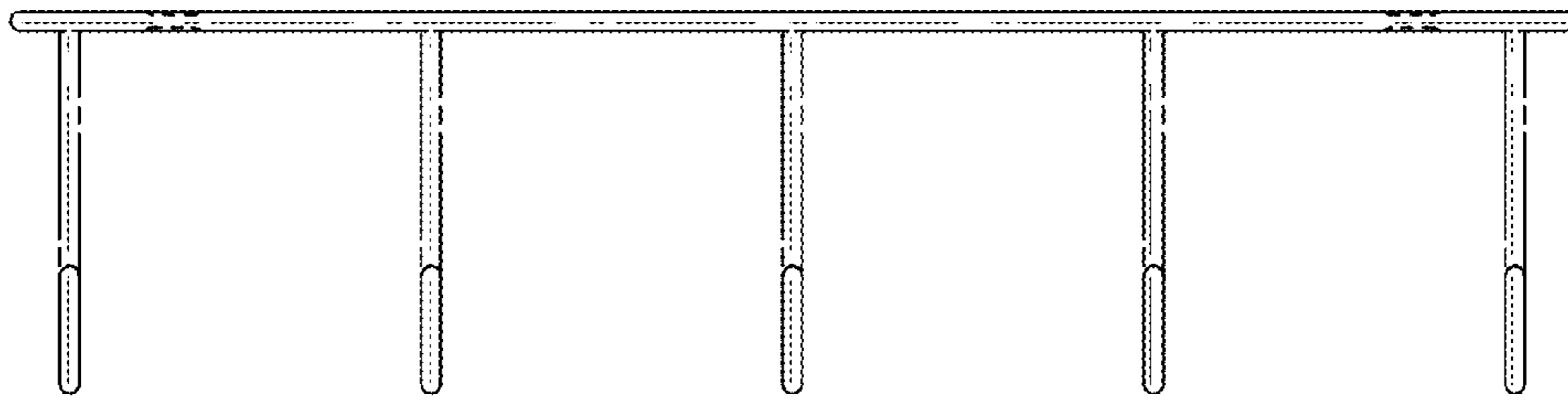


FIG 11

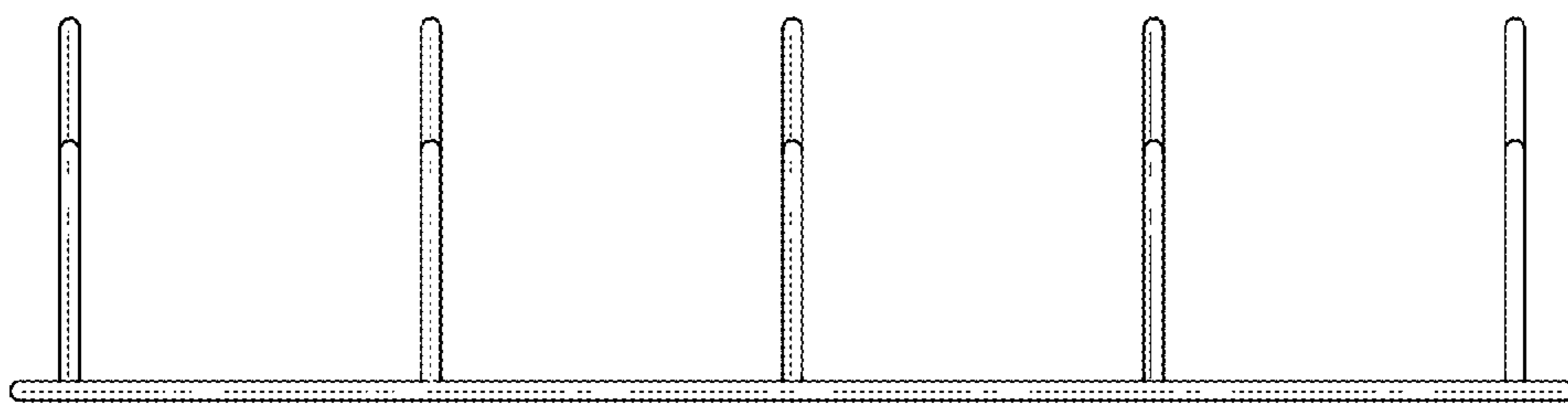


FIG 12

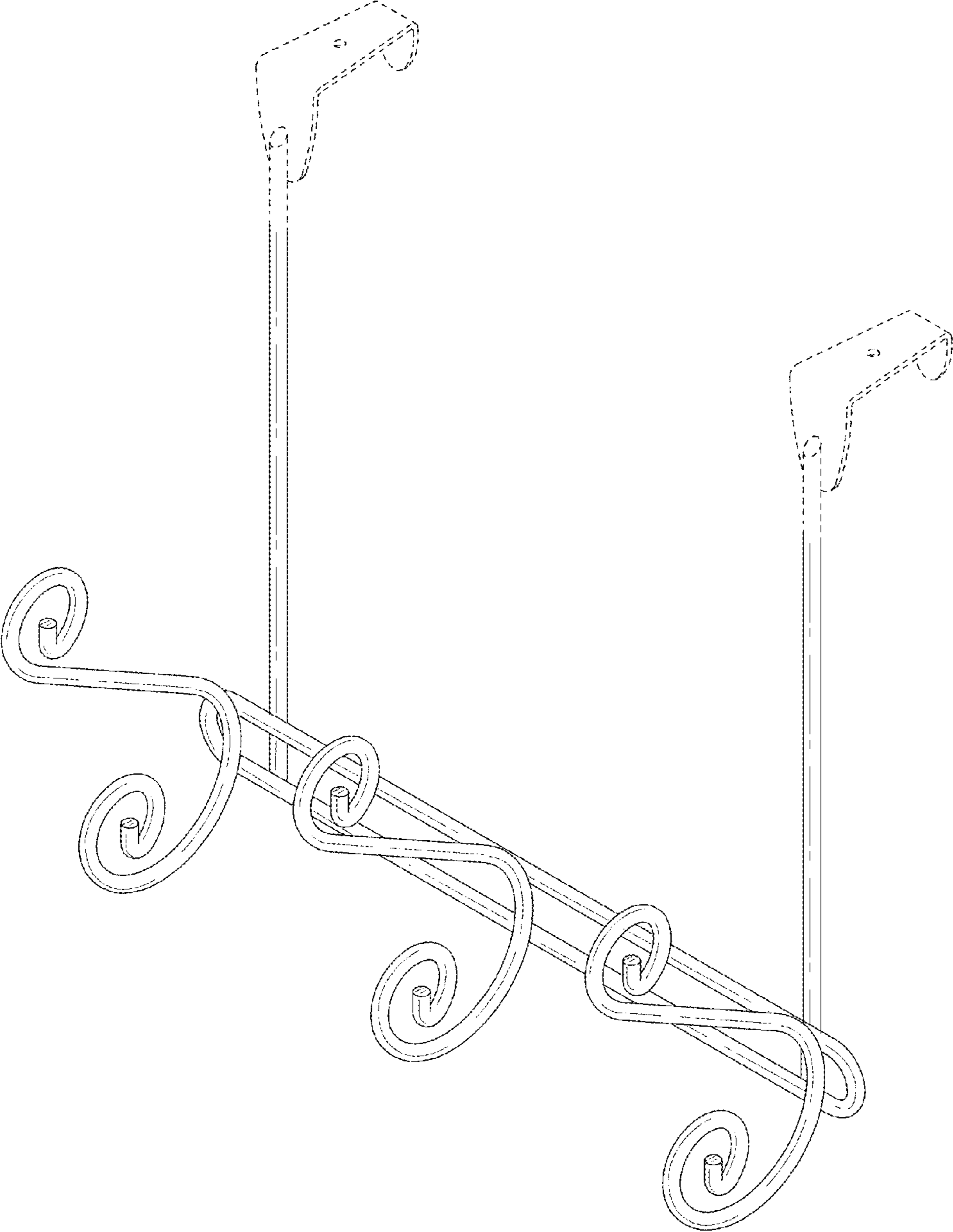


FIG 13

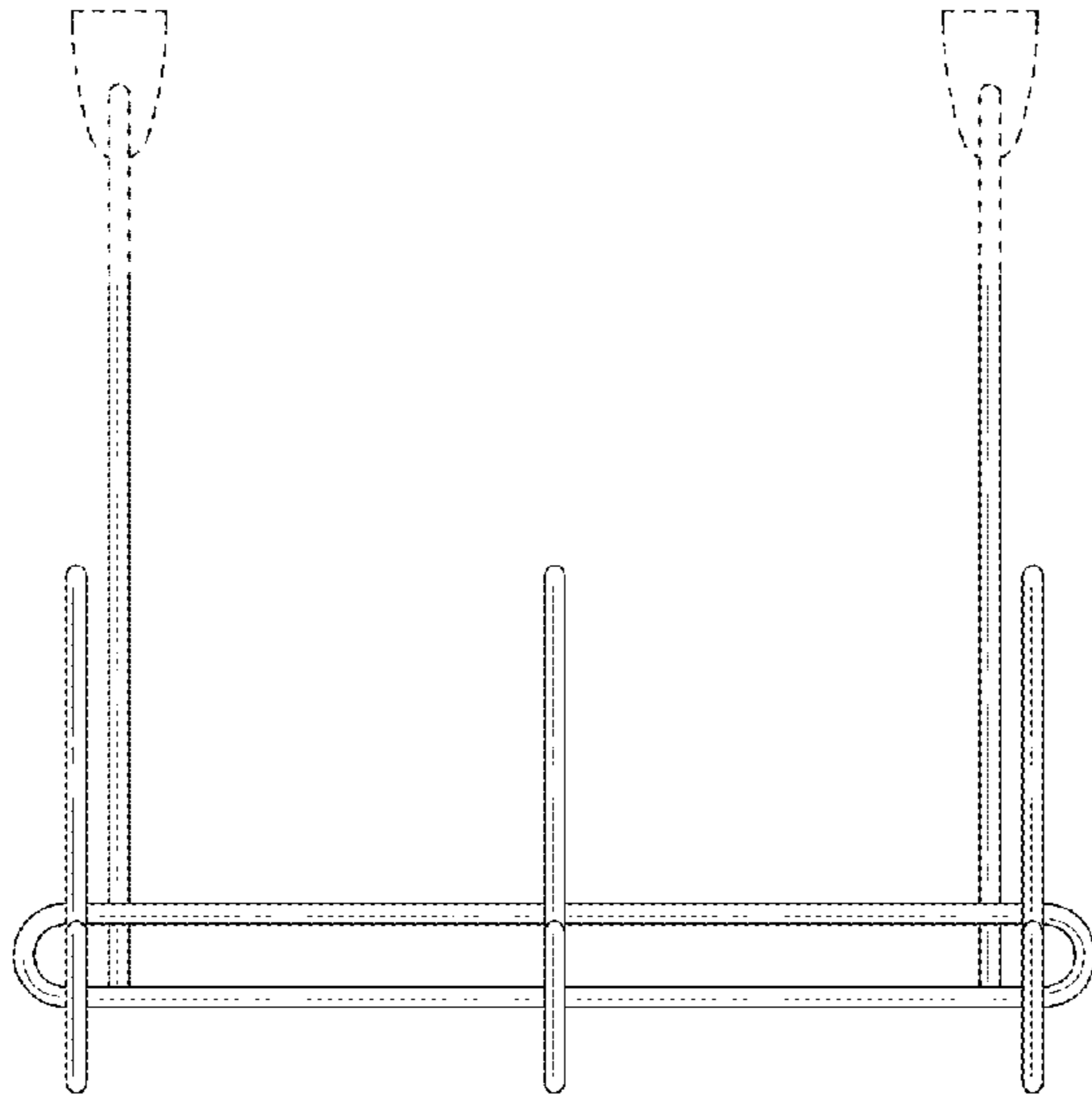


FIG 14

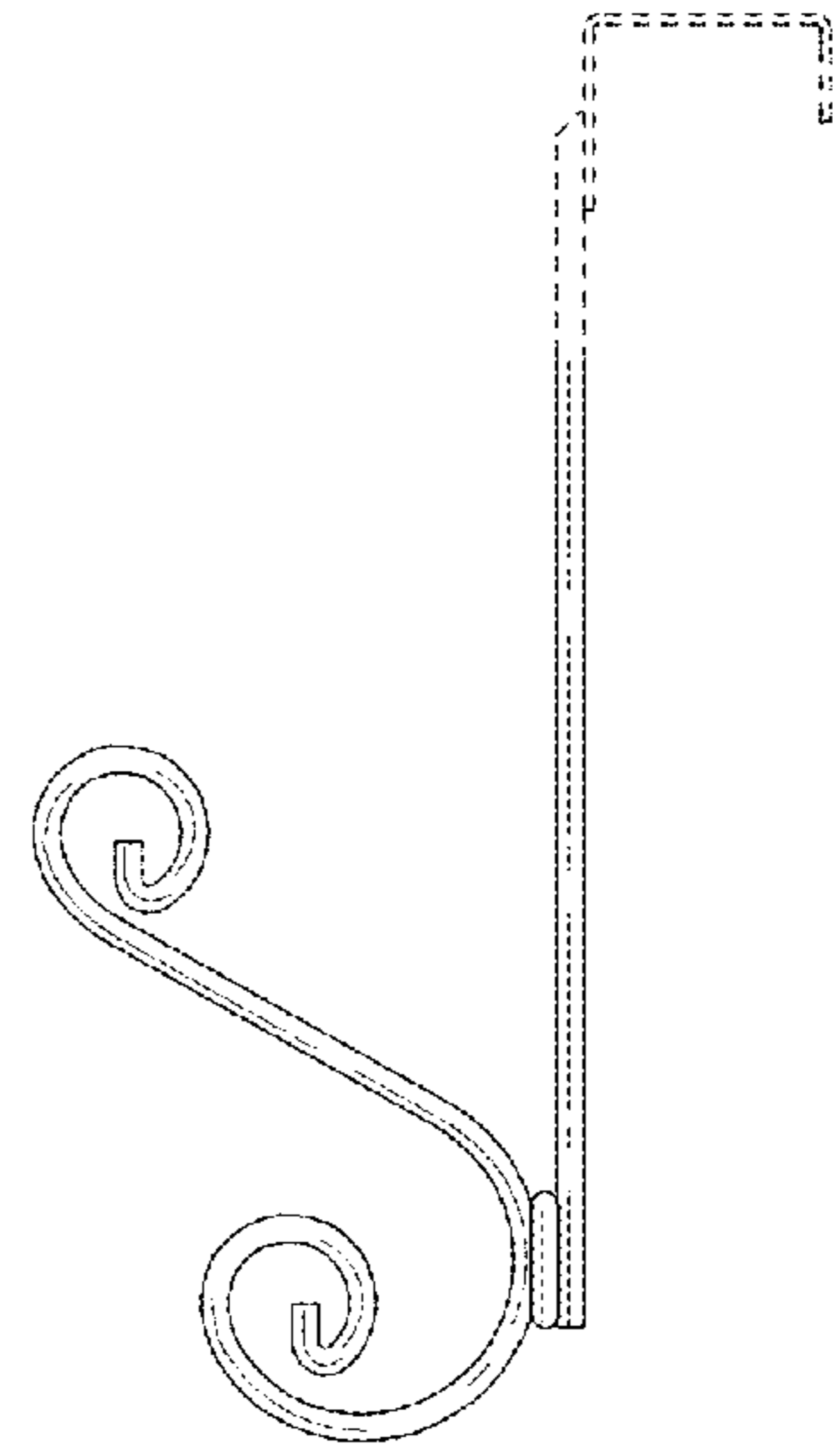


FIG 15

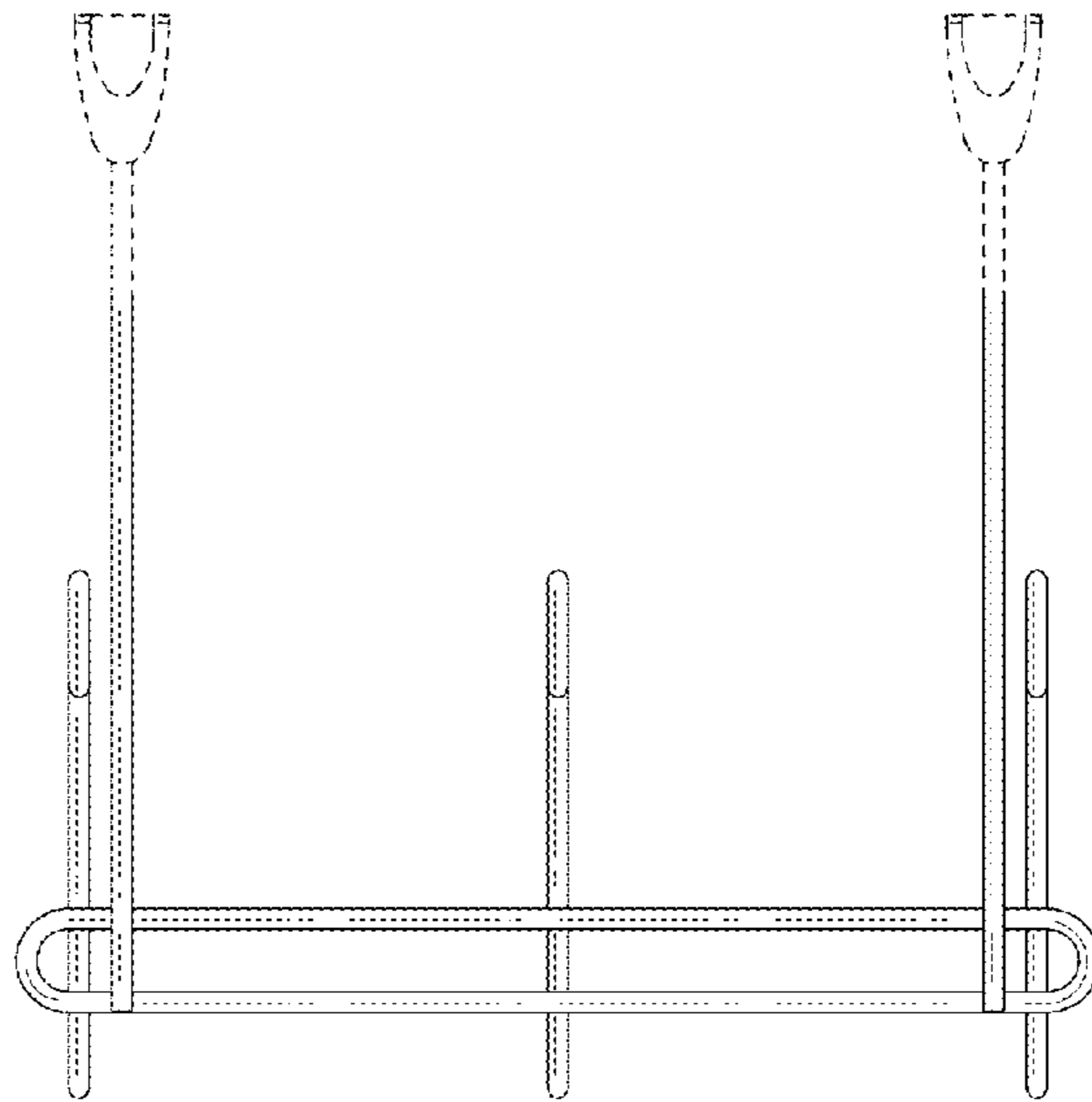


FIG 16

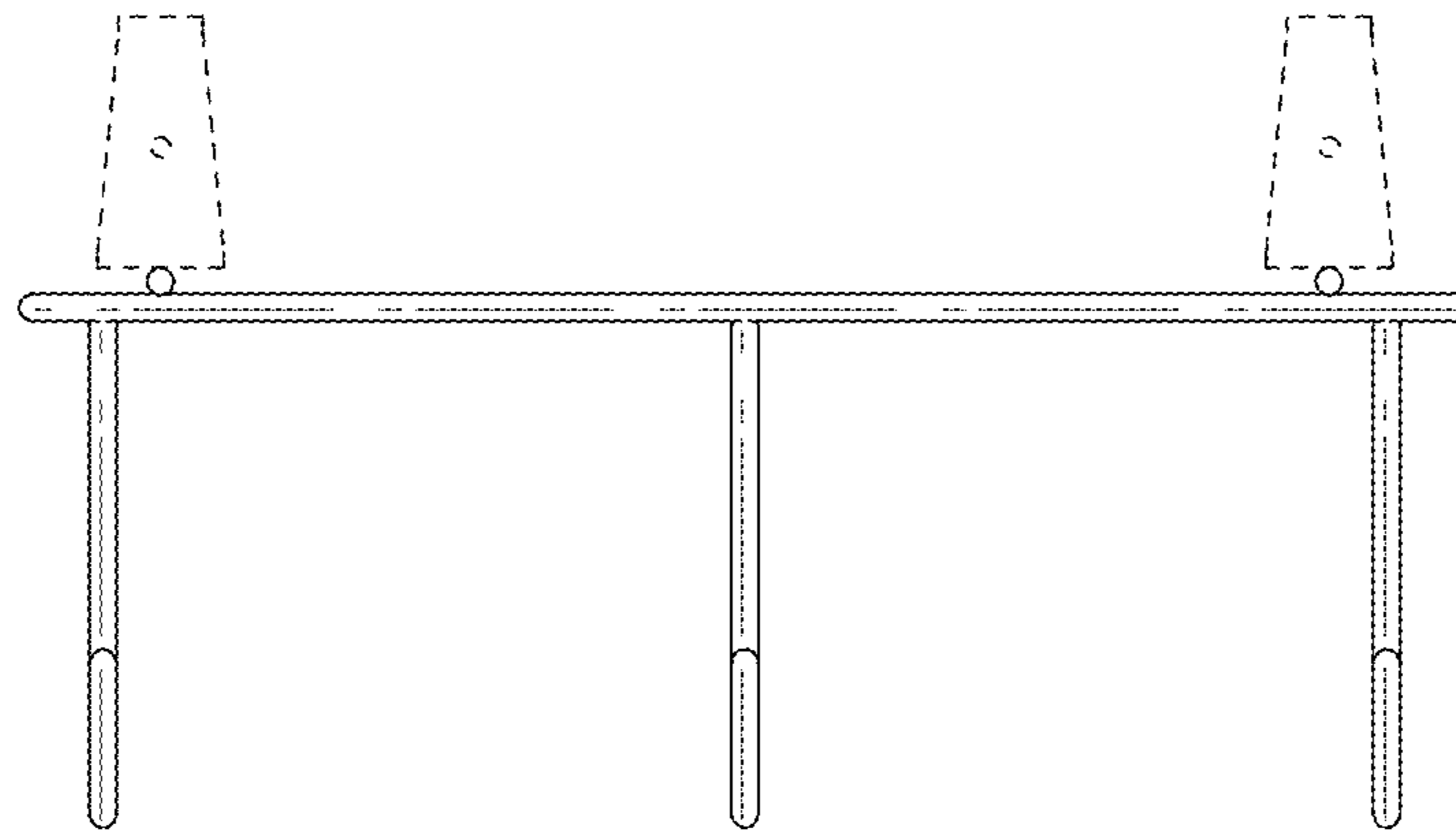


FIG 17

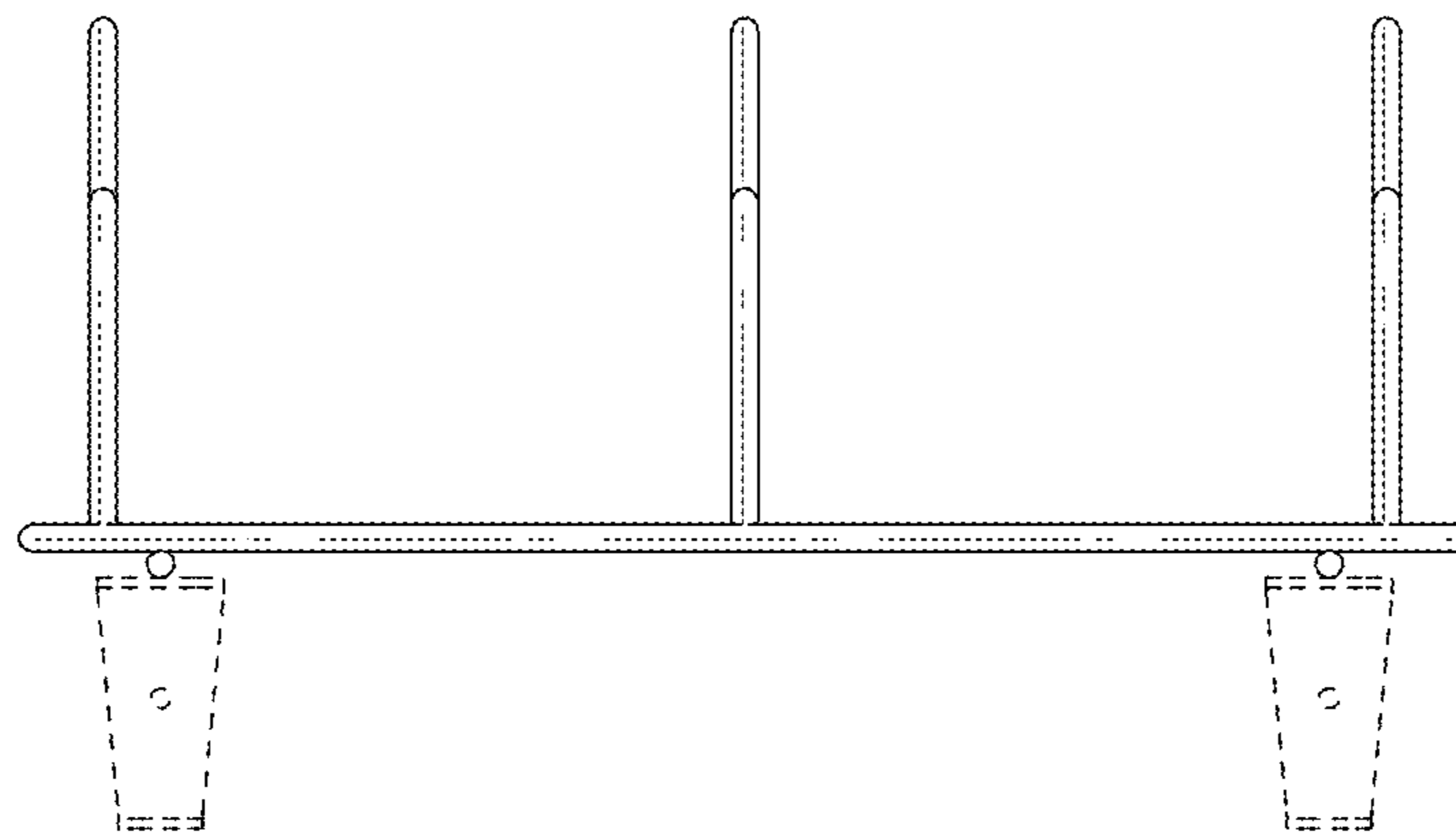


FIG 18

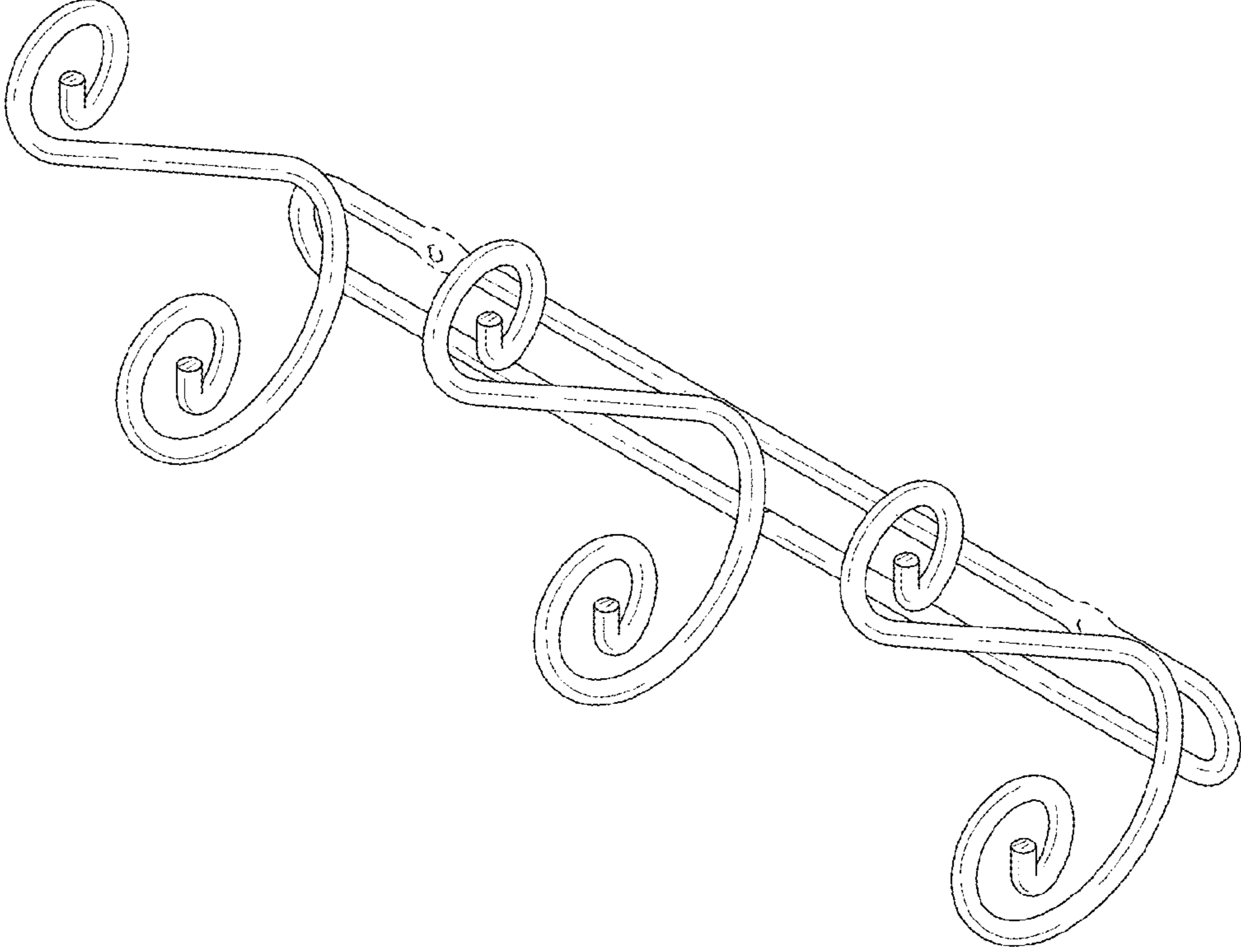


FIG 19

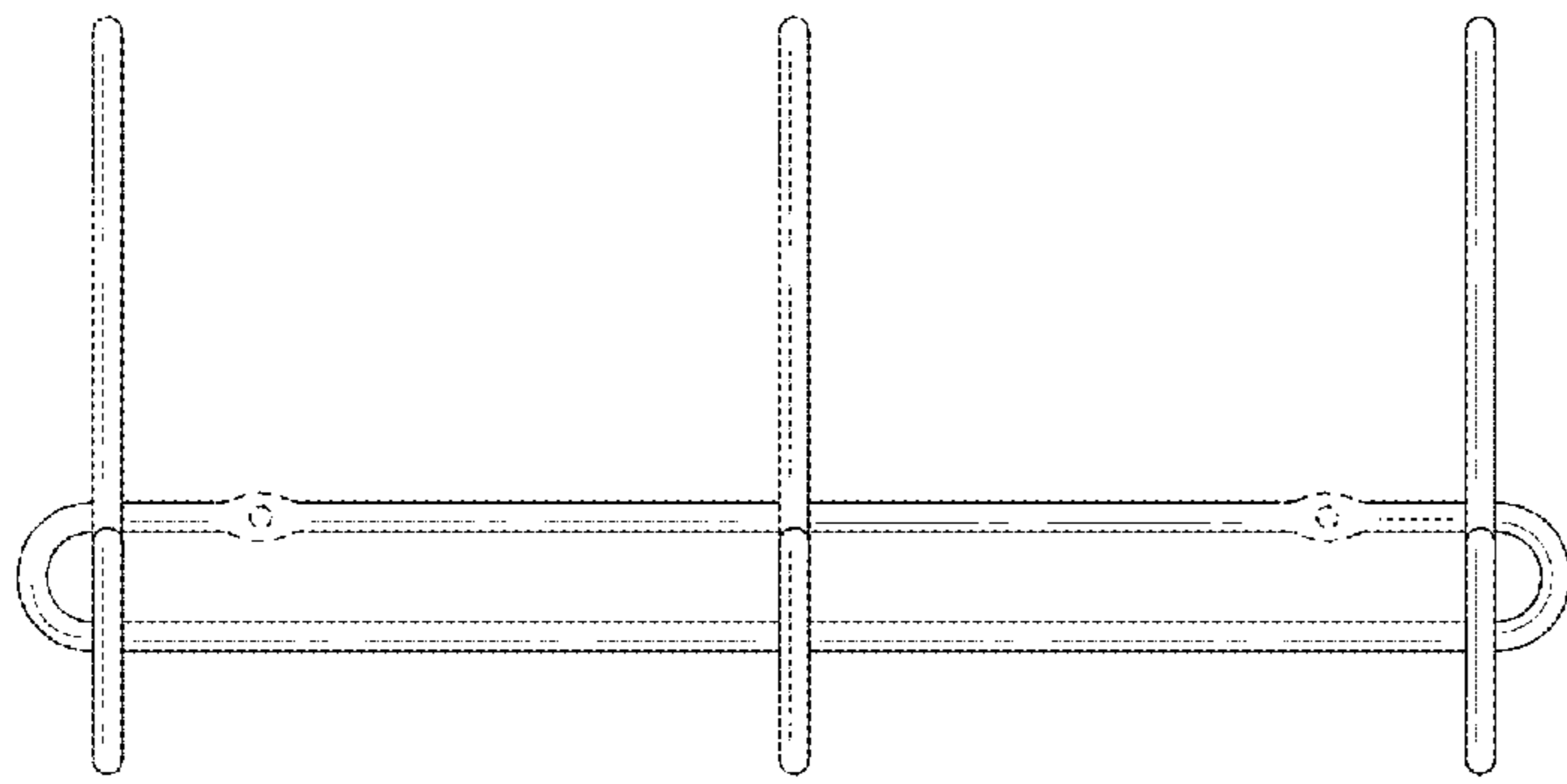


FIG 20

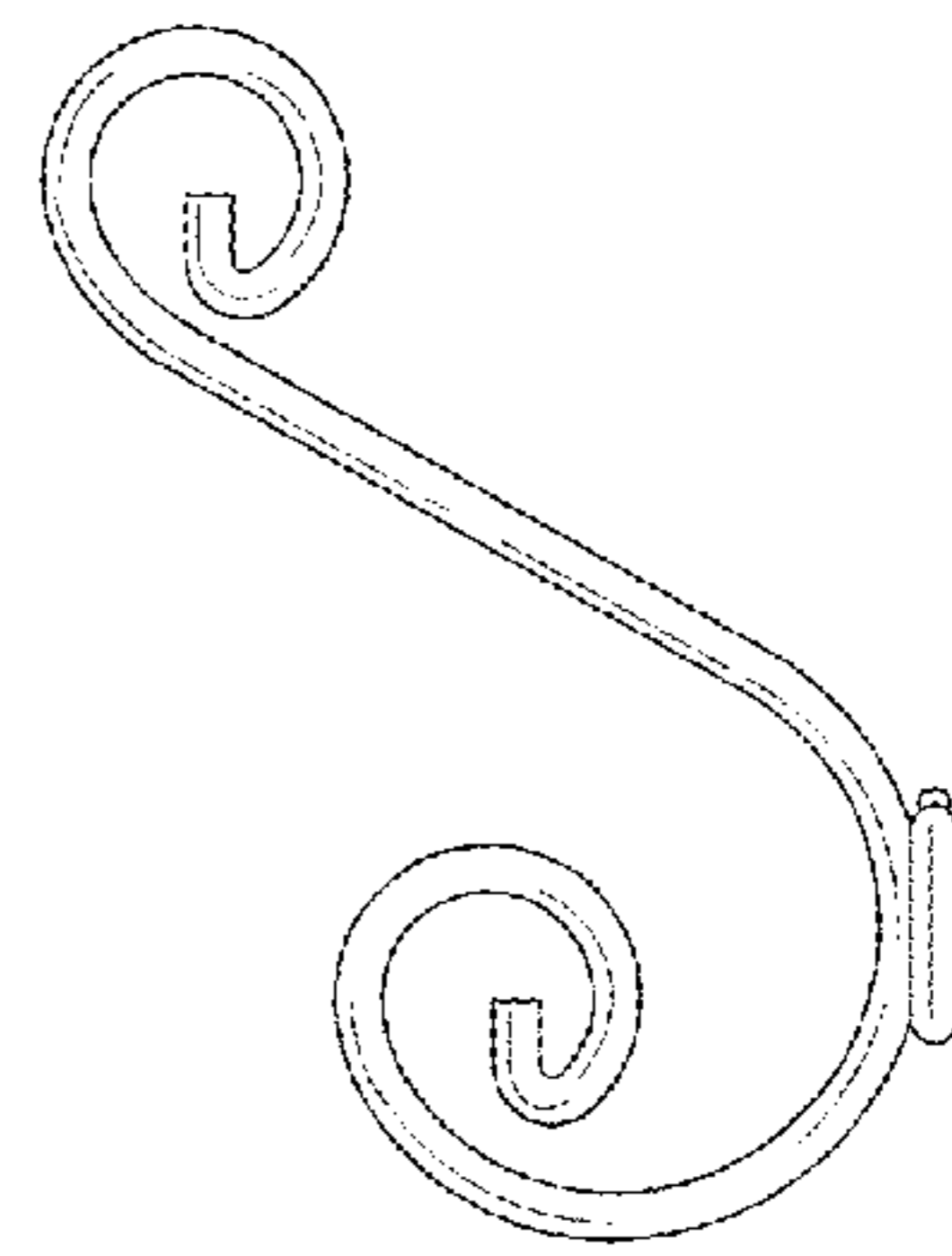


FIG 21

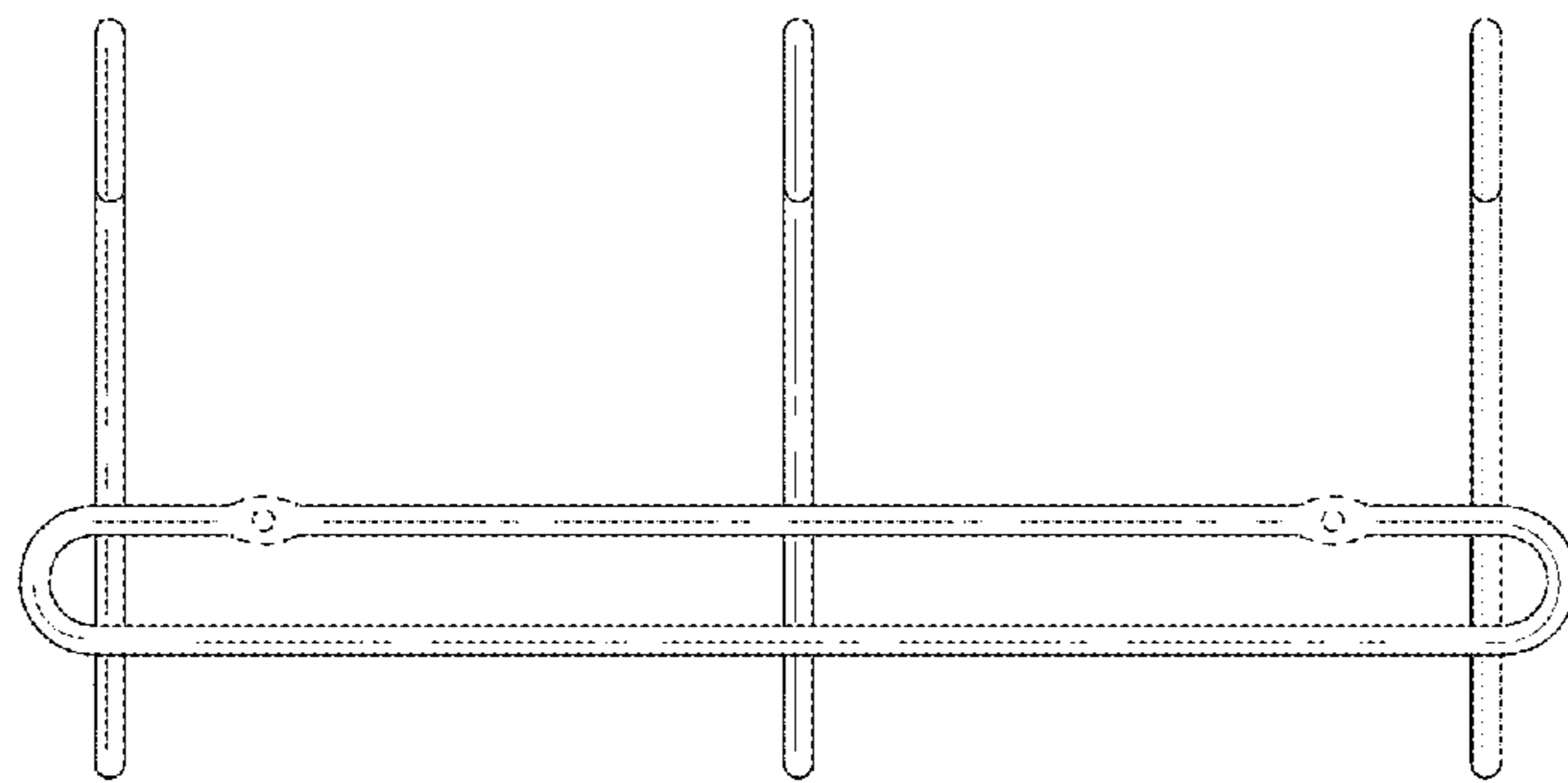


FIG 22

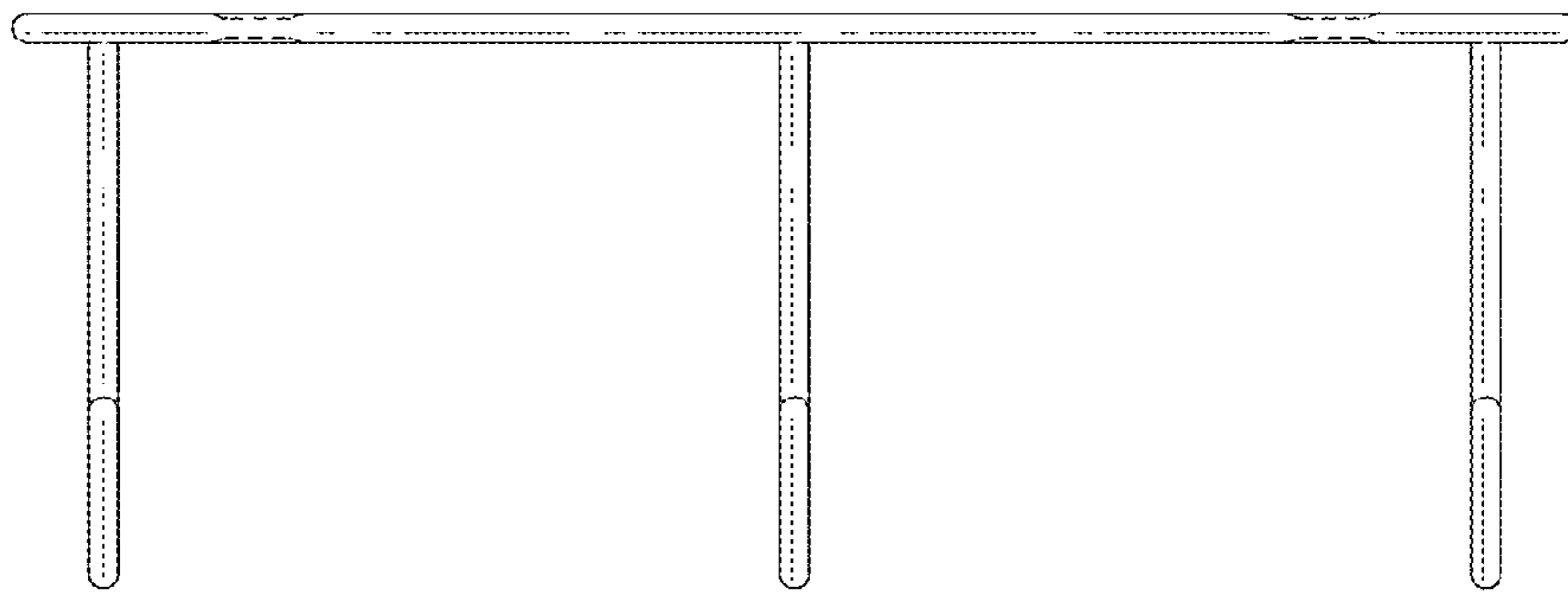


FIG 23

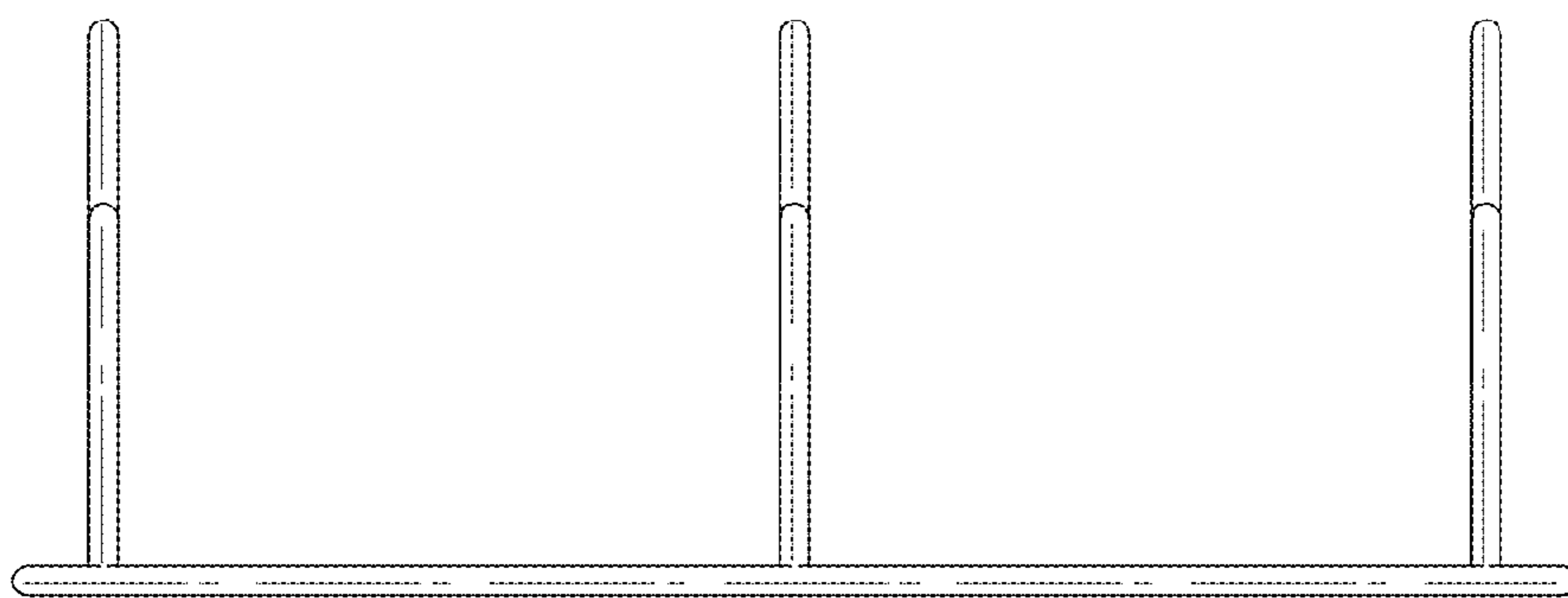


FIG 24