



US00D706610S

(12) **United States Design Patent**
Sakuma

(10) **Patent No.:** **US D706,610 S**
(45) **Date of Patent:** **** Jun. 10, 2014**

(54) **TOWEL HANGER**

Primary Examiner — Holly Baynham

(75) Inventor: **Yuuko Sakuma**, Chiyoda-ku (JP)

(74) *Attorney, Agent, or Firm* — Masuvalley & Partners

(73) Assignee: **Sugatsune Kogyo Co., Ltd.**, Chiyoda-ku (JP)

(57) **CLAIM**

The ornamental design for a towel hanger, as shown and described.

(**) Term: **14 Years**

(21) Appl. No.: **29/431,010**

DESCRIPTION

(22) Filed: **Aug. 31, 2012**

FIG. 1 is a perspective view of the towel hanger according to the invention;

(30) **Foreign Application Priority Data**

Mar. 5, 2012 (JP) 2012-004916

FIG. 2 is a top plan view of the towel hanger of FIG. 1;

(51) **LOC (10) Cl.** **08-05**

FIG. 3 is a bottom plan view of the towel hanger of FIG. 1;

(52) **U.S. Cl.**
USPC **D8/363**

FIG. 4 is a left side elevation view of the towel hanger of FIG. 1, with the right side elevation view being identical;

(58) **Field of Classification Search**
USPC D8/373, 363; 248/309.1
See application file for complete search history.

FIG. 5 is a front elevation view of the towel hanger according to the invention;

(56) **References Cited**

U.S. PATENT DOCUMENTS

4,653,714 A * 3/1987 Andrasko, Jr. 248/251
4,700,918 A * 10/1987 Andrasko, Jr. 248/251
D442,408 S * 5/2001 de Vries D6/546
D585,268 S * 1/2009 Woolley D8/380

FIG. 6 is a rear elevation view of the towel hanger of FIG. 1;

FIG. 7 is a cross-sectional view of the towel hanger through line 7-7 shown in FIG. 5;

FIG. 8 is a cross-sectional view of the towel hanger through line 8-8 shown in FIG. 5; and,

FIG. 9 is a perspective view of the towel hanger of FIG. 1, and also showing a towel in broken lines in its intended use position.

The broken lines showing a partial towel are for the purposes of illustrating environment and form no part of the claimed design.

* cited by examiner

1 Claim, 5 Drawing Sheets

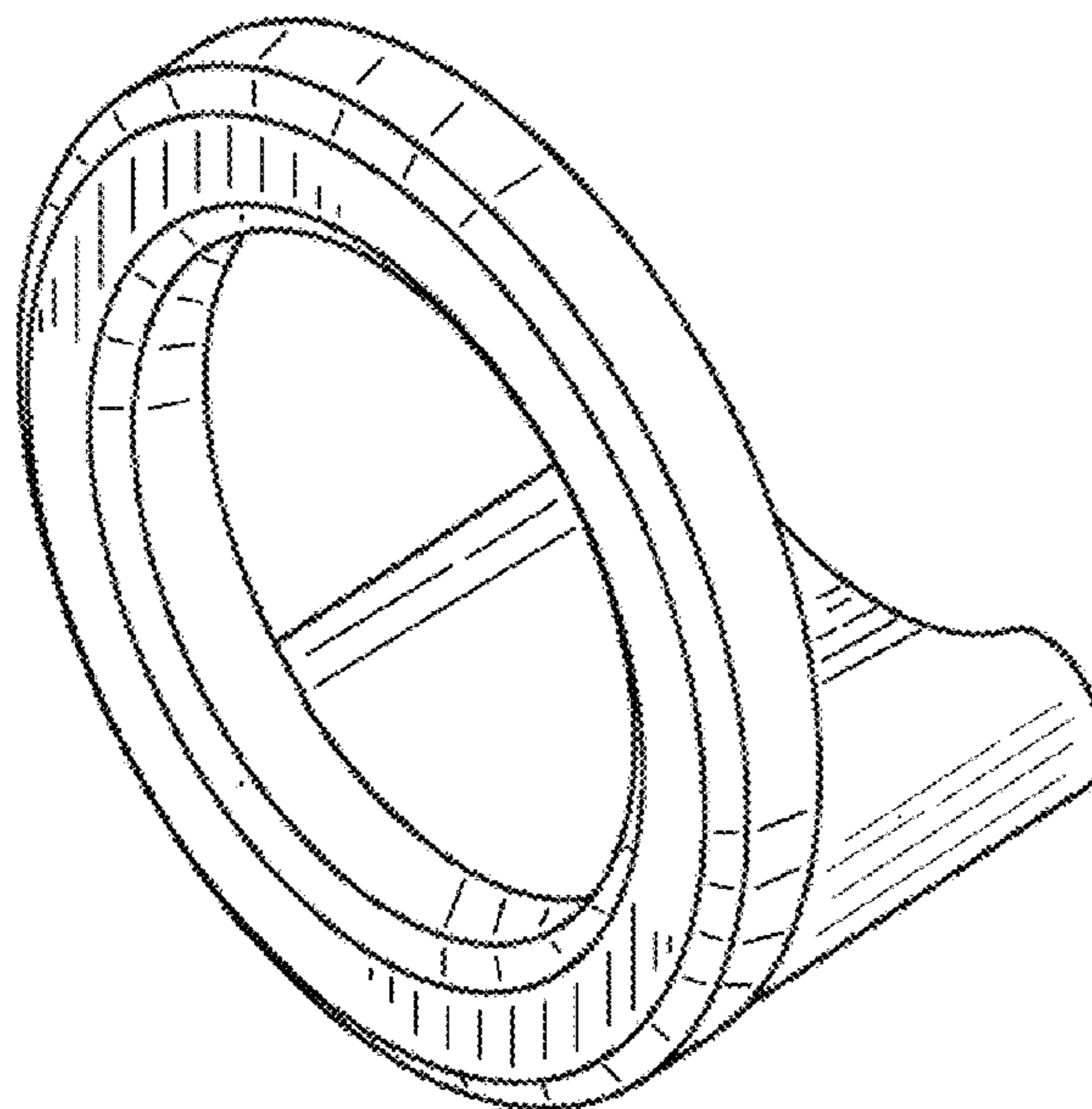


Fig.1

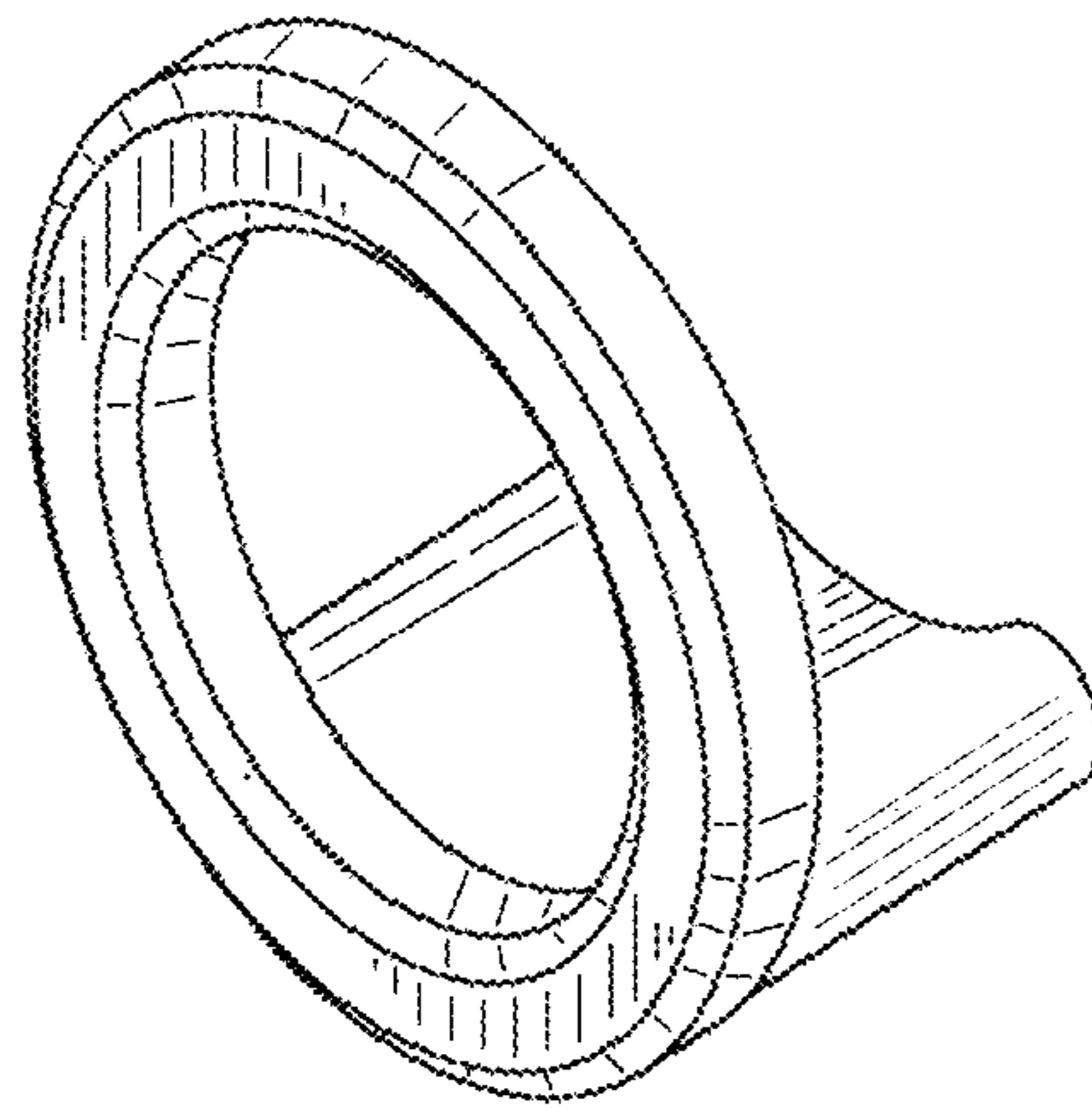


Fig.2

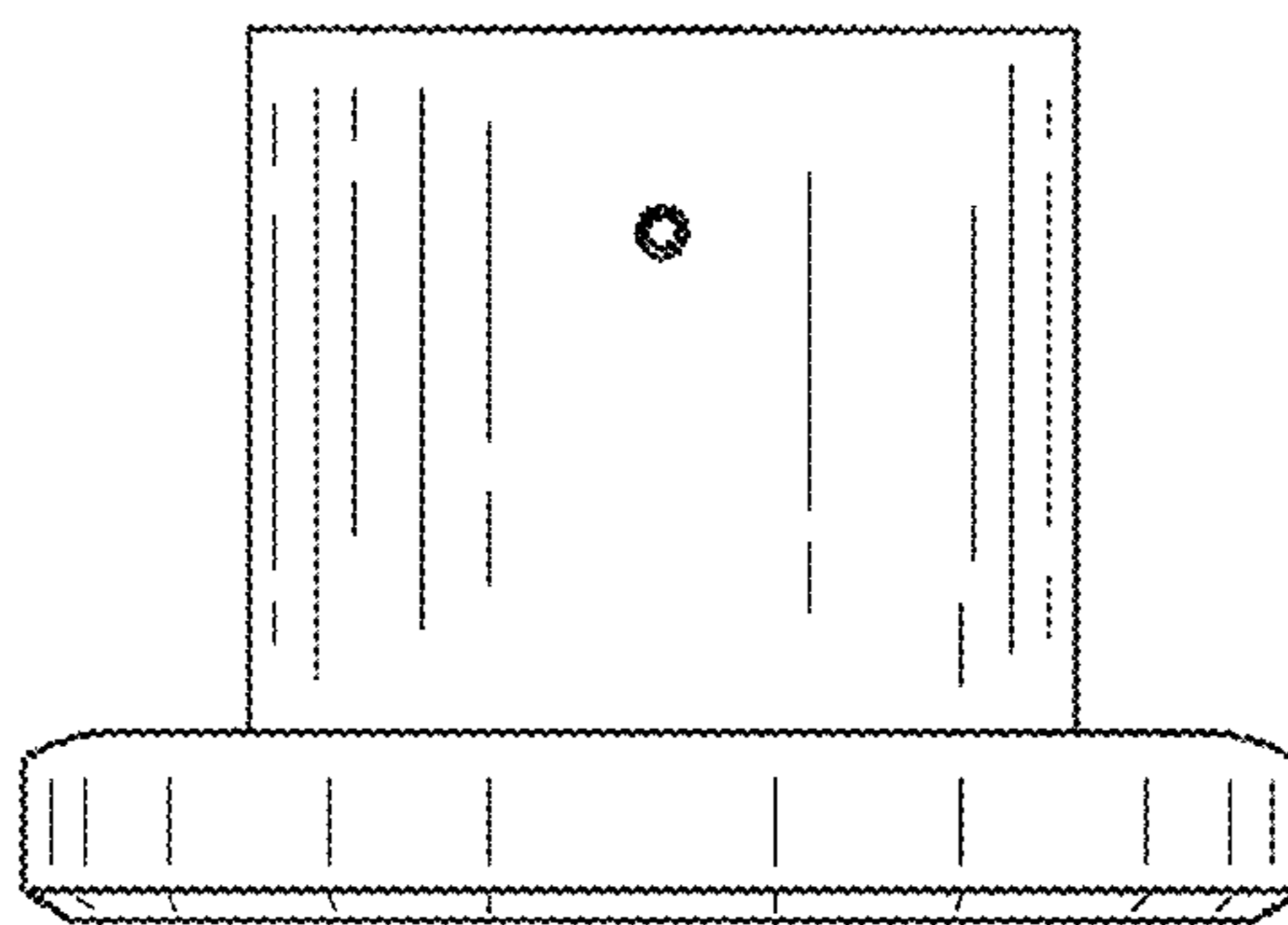


Fig.3

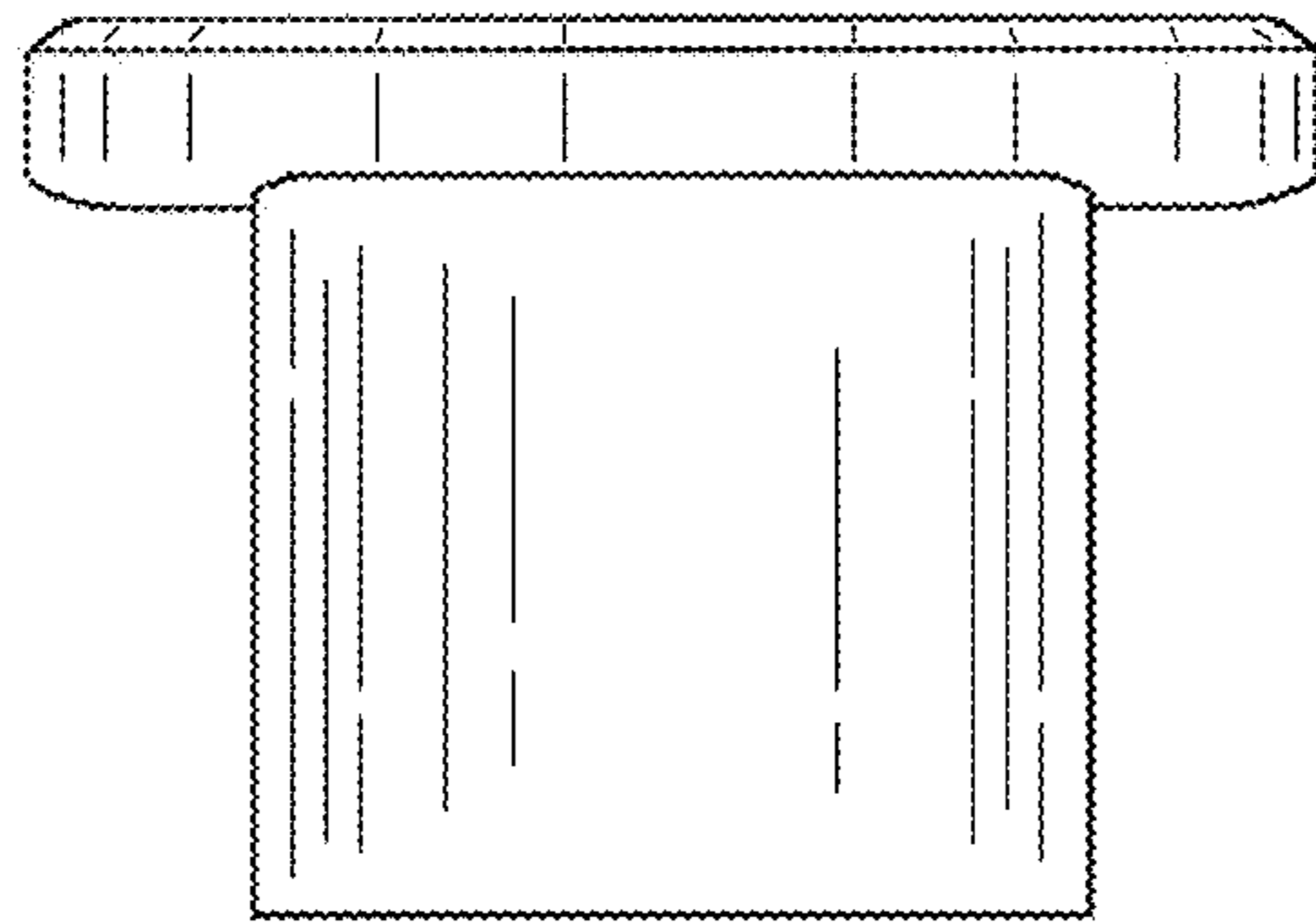


Fig.4

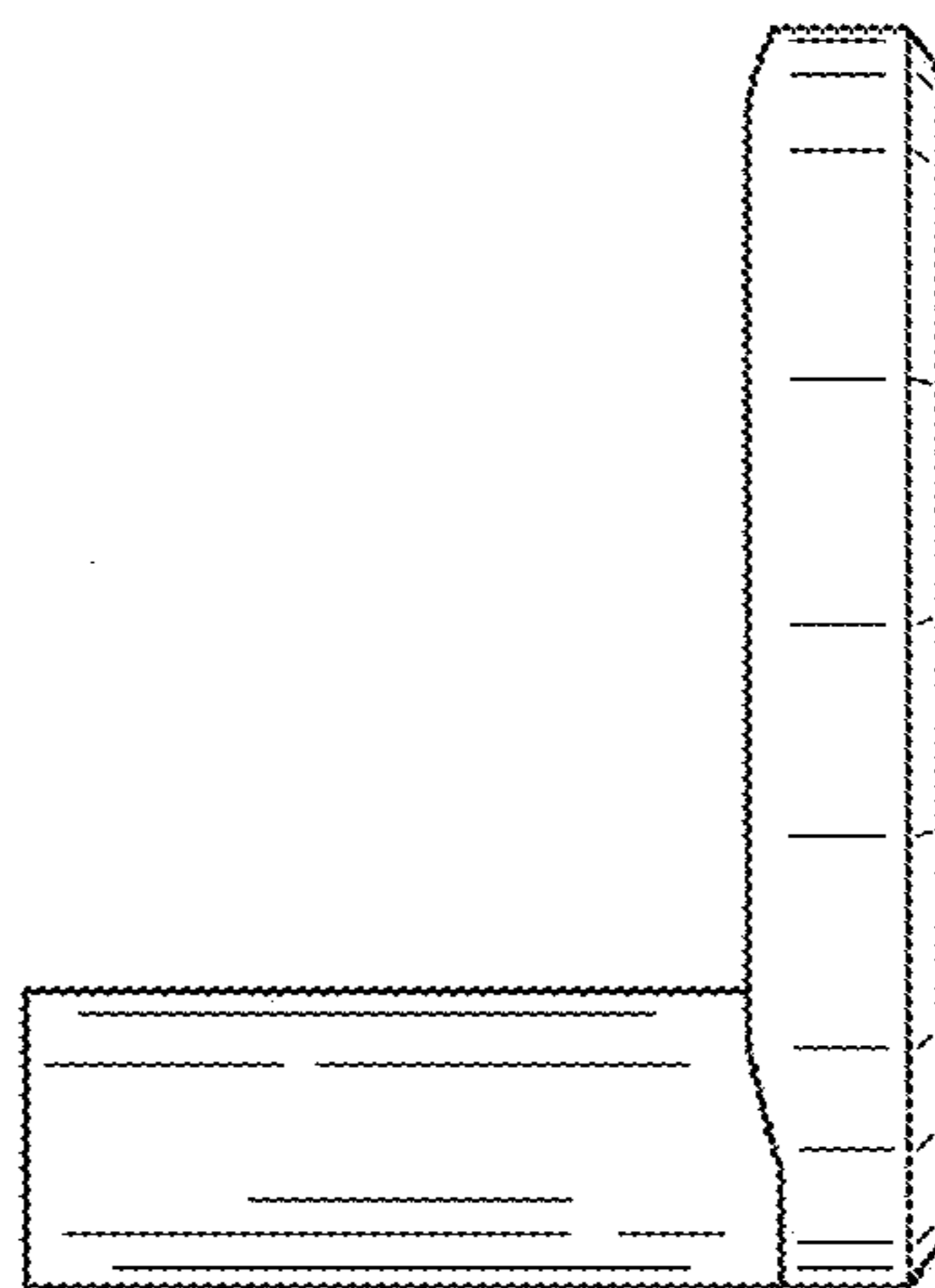


Fig.5

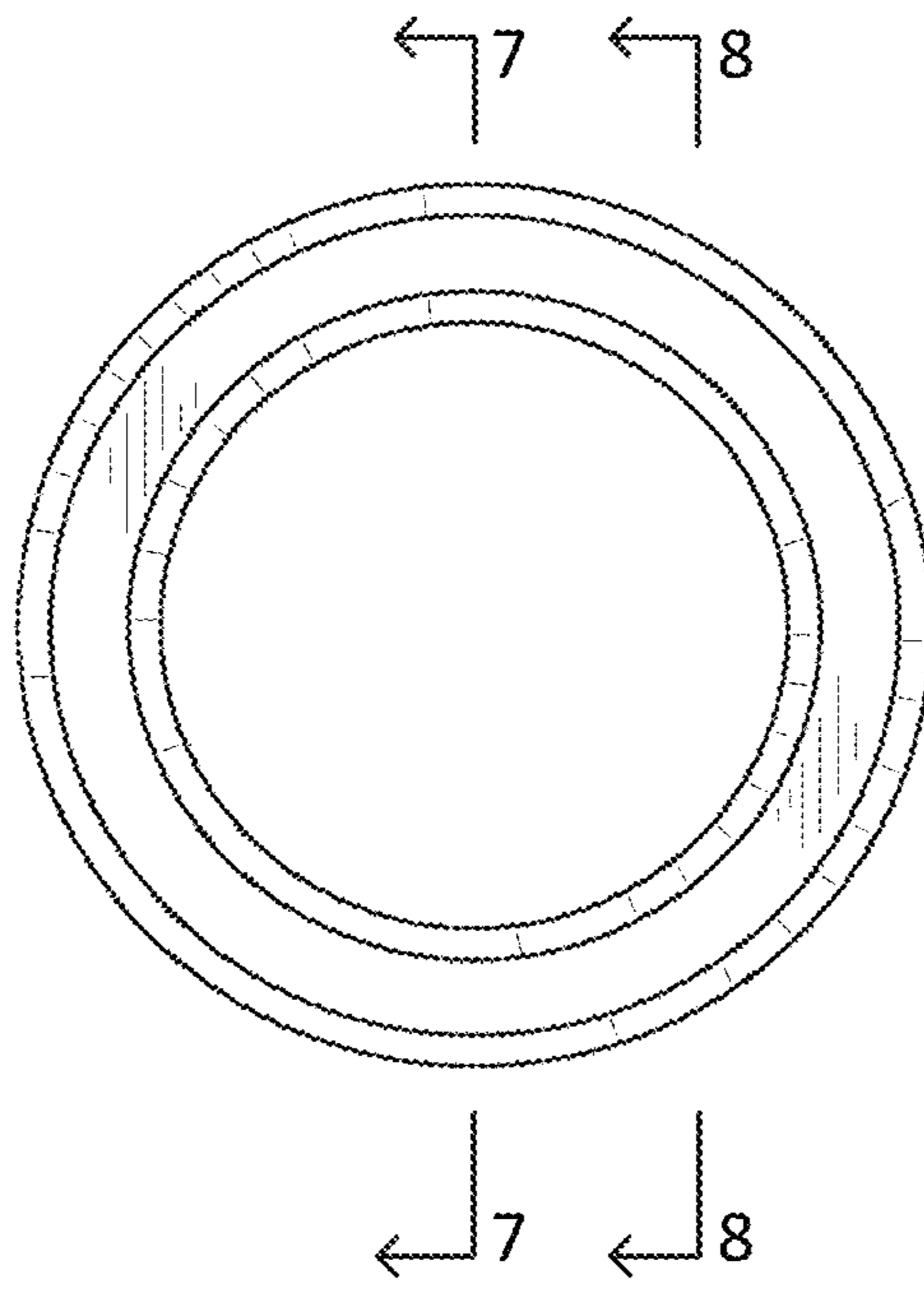


Fig.6

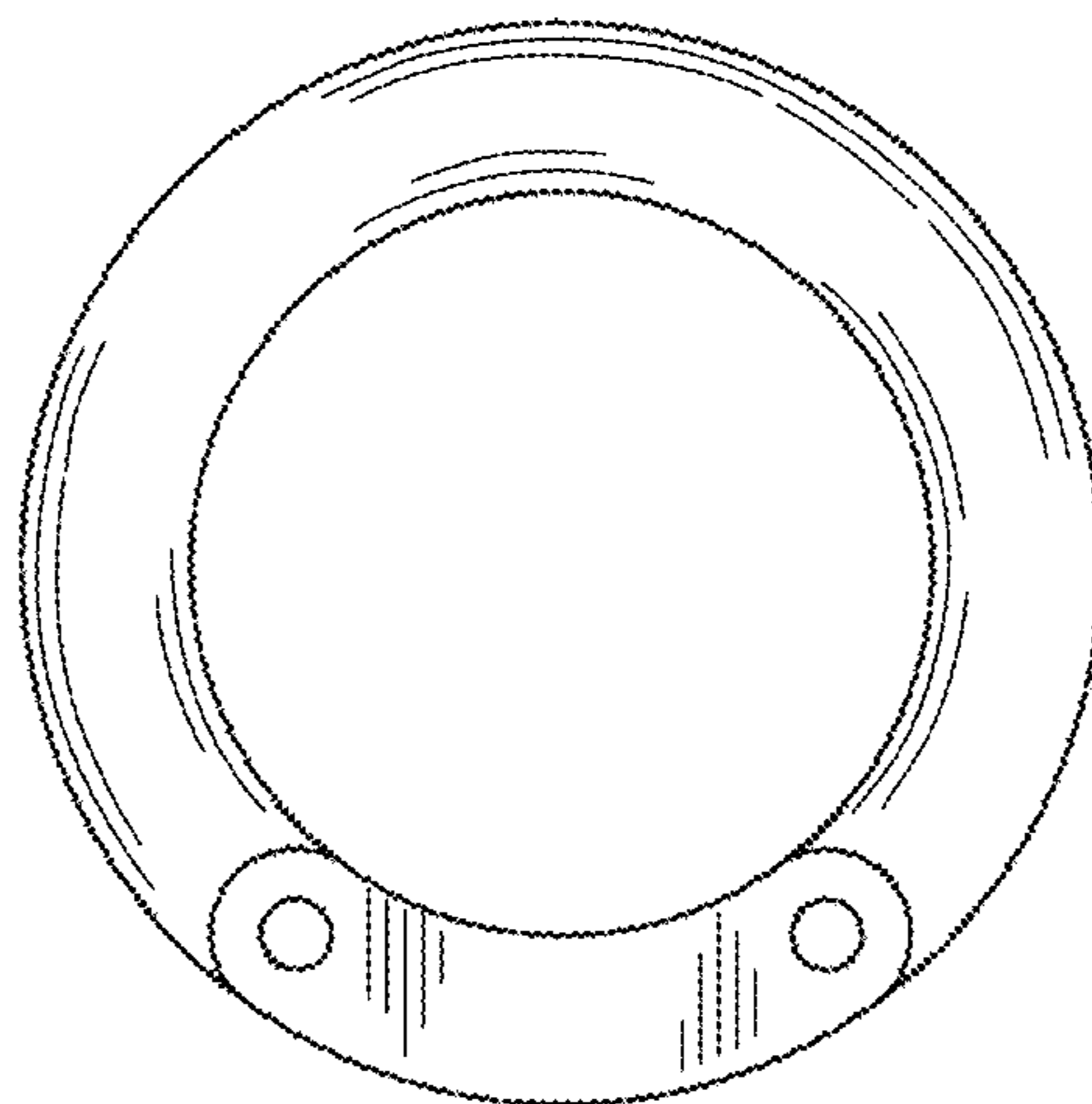


Fig.7

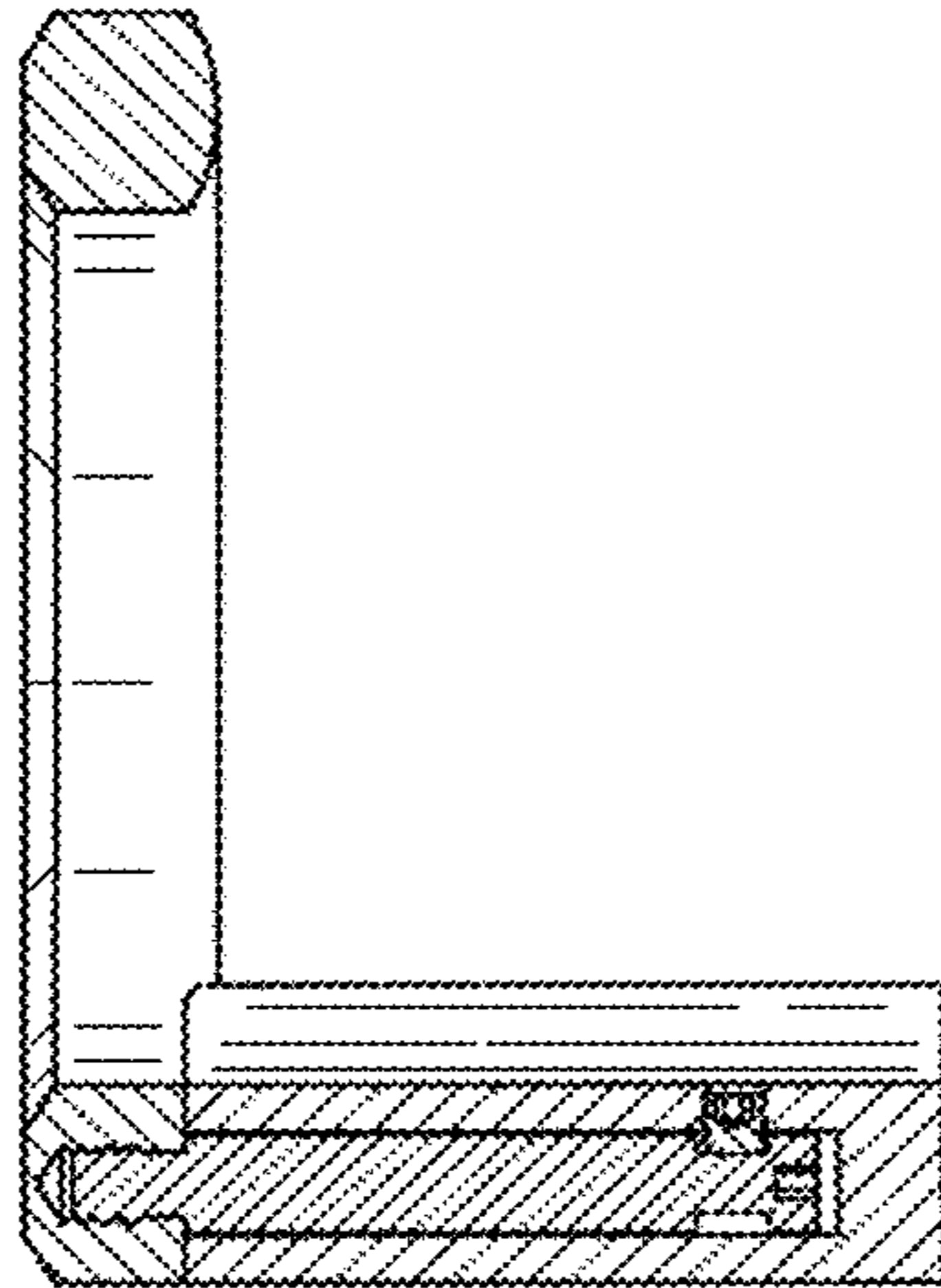


Fig.8

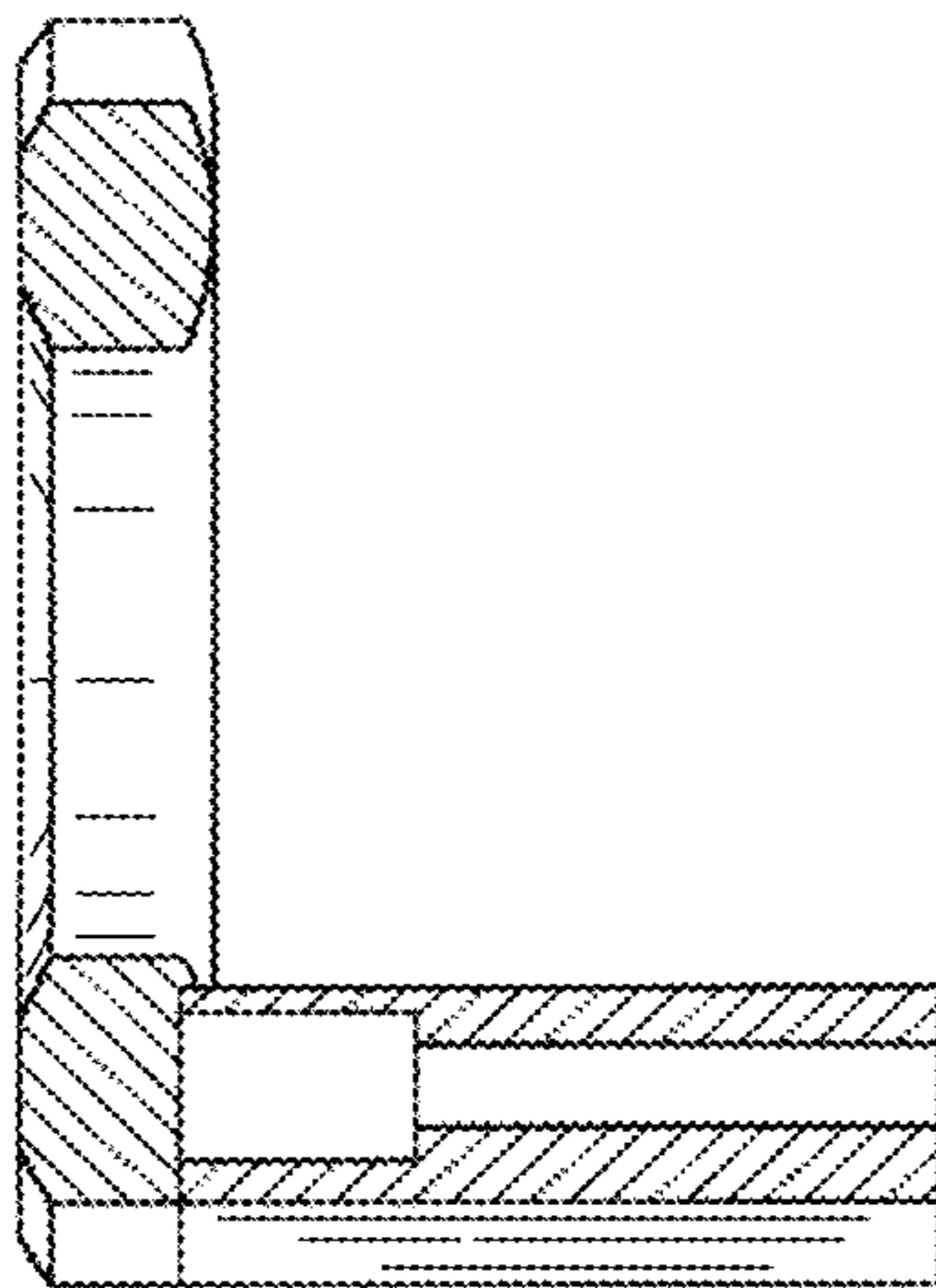


Fig.9

