



US00D706608S

(12) **United States Design Patent**
Offermann

(10) **Patent No.:** **US D706,608 S**
(45) **Date of Patent:** **** Jun. 10, 2014**

(54) **REBAR CHAIR**

(71) Applicant: **Karl Offermann**, Edmonton (CA)

(72) Inventor: **Karl Offermann**, Edmonton (CA)

(**) Term: **14 Years**

(21) Appl. No.: **29/446,401**

(22) Filed: **Feb. 22, 2013**

(30) **Foreign Application Priority Data**

Aug. 22, 2012 (CA) 147033

(51) **LOC (10) Cl.** **08-05**

(52) **U.S. Cl.**

USPC **D8/354**; D8/380

(58) **Field of Classification Search**

USPC D8/354, 349, 380, 384; D25/199;
248/440; 52/677, 678, 679, 682, 684,
52/685, 686, 687, 745.21, 688, 689;
404/134, 135, 136

See application file for complete search history.

(56) **References Cited**

U.S. PATENT DOCUMENTS

5,107,654	A *	4/1992	Leonardis	52/685
D334,133	S *	3/1993	Hartzheim	D8/354
D388,312	S *	12/1997	Sorkin	D8/354
5,729,949	A *	3/1998	Hartzheim	52/677
D394,200	S *	5/1998	Hartzheim	D8/354
6,089,522	A *	7/2000	Haslem et al.	248/440
D491,443	S *	6/2004	Lowery	D8/354
D500,668	S *	1/2005	Kelly et al.	D8/354
7,237,367	B1 *	7/2007	Sorkin	52/687
D548,053	S *	8/2007	Erickson et al.	D8/354

D548,055	S *	8/2007	Erickson et al.	D8/354
D548,056	S *	8/2007	Erickson et al.	D8/354
7,278,613	B2 *	10/2007	Roy	248/49
D578,379	S *	10/2008	Sorkin	D8/354
D578,870	S *	10/2008	Sorkin	D8/354
7,451,580	B2 *	11/2008	Kelly et al.	52/687
D594,737	S *	6/2009	Kelly et al.	D8/354
D597,402	S *	8/2009	Garza	D8/380
D618,988	S *	7/2010	Peterson, Jr.	D8/380
7,845,136	B1 *	12/2010	Sorkin	52/687
8,028,490	B2 *	10/2011	Kelly et al.	52/687
D650,655	S *	12/2011	Wester	D8/354
2004/0098942	A1 *	5/2004	Lee et al.	52/686
2005/0210816	A1 *	9/2005	Kelly et al.	52/677
2008/0028718	A1 *	2/2008	Erickson et al.	52/687
2009/0100783	A1 *	4/2009	Kelly et al.	52/679
2009/0301025	A1 *	12/2009	Kodi	52/678
2010/0050559	A1 *	3/2010	Tillery	52/677
2012/0247058	A1 *	10/2012	Alfonso	52/686
2013/0125498	A1 *	5/2013	Lowery	52/677

* cited by examiner

Primary Examiner — Mark Goodwin

(74) *Attorney, Agent, or Firm* — Nathan Woodruff

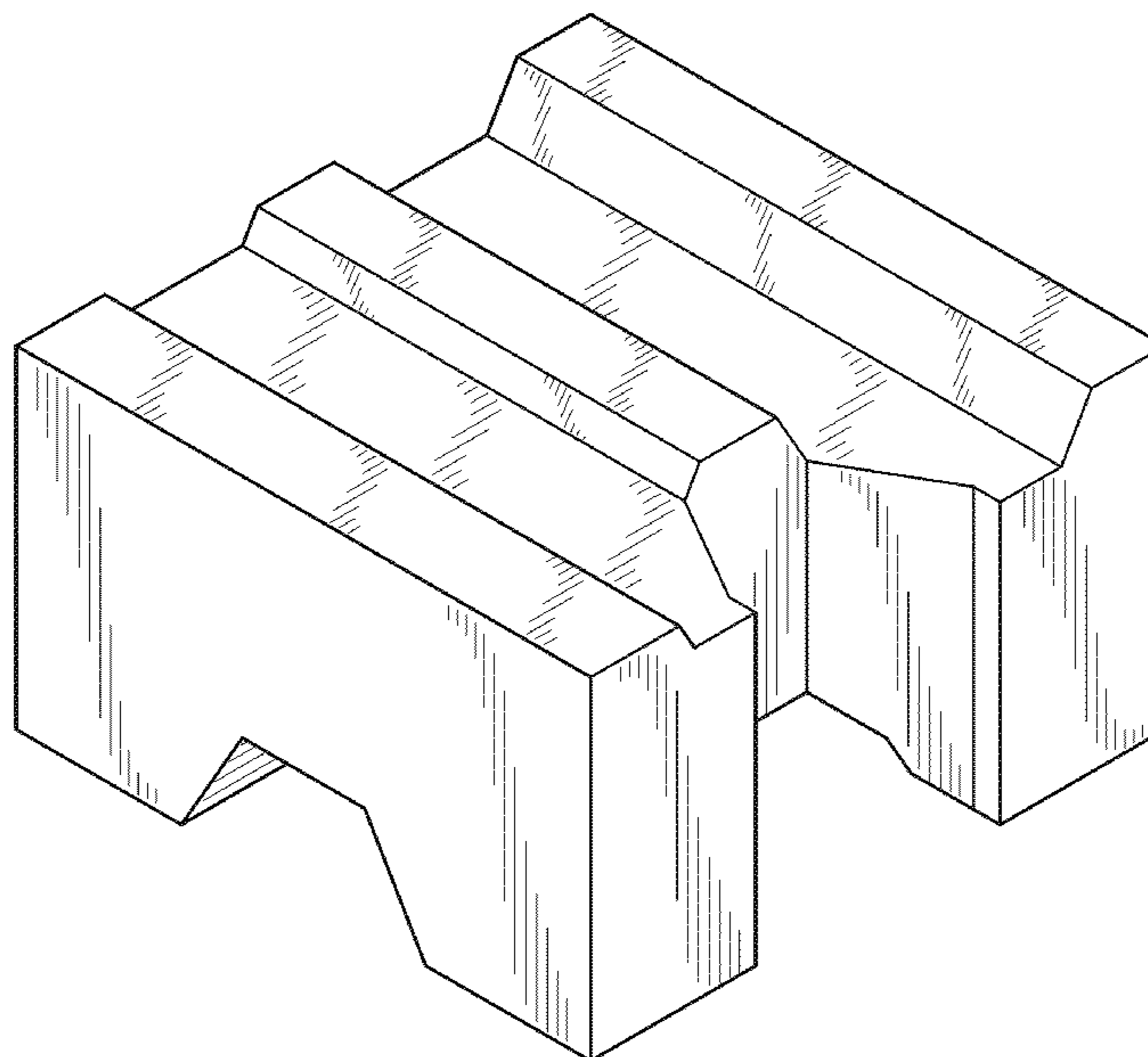
(57) **CLAIM**

I claim the ornamental design for a rebar chair, as shown and described.

DESCRIPTION

FIG. 1 is a left side elevation view of the rebar chair.
FIG. 2 is a rear elevation view of the rebar chair.
FIG. 3 is a right side elevation view of the rebar chair.
FIG. 4 is a front elevation view of the rebar chair.
FIG. 5 is a top plan view of the rebar chair.
FIG. 6 is a bottom plan view of the rebar chair; and,
FIG. 7 is a perspective view of the rebar chair.

1 Claim, 3 Drawing Sheets



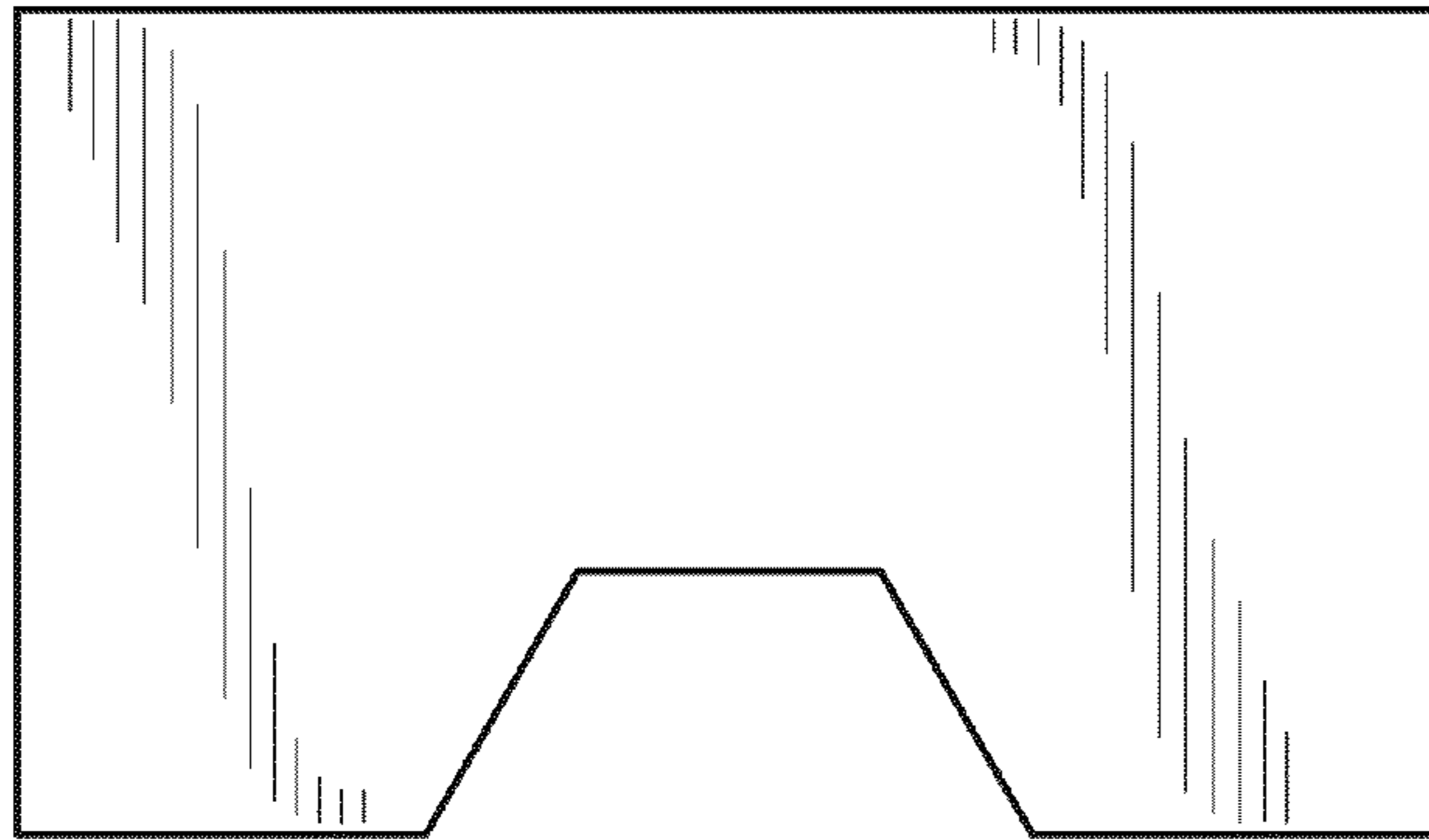


FIG. 1

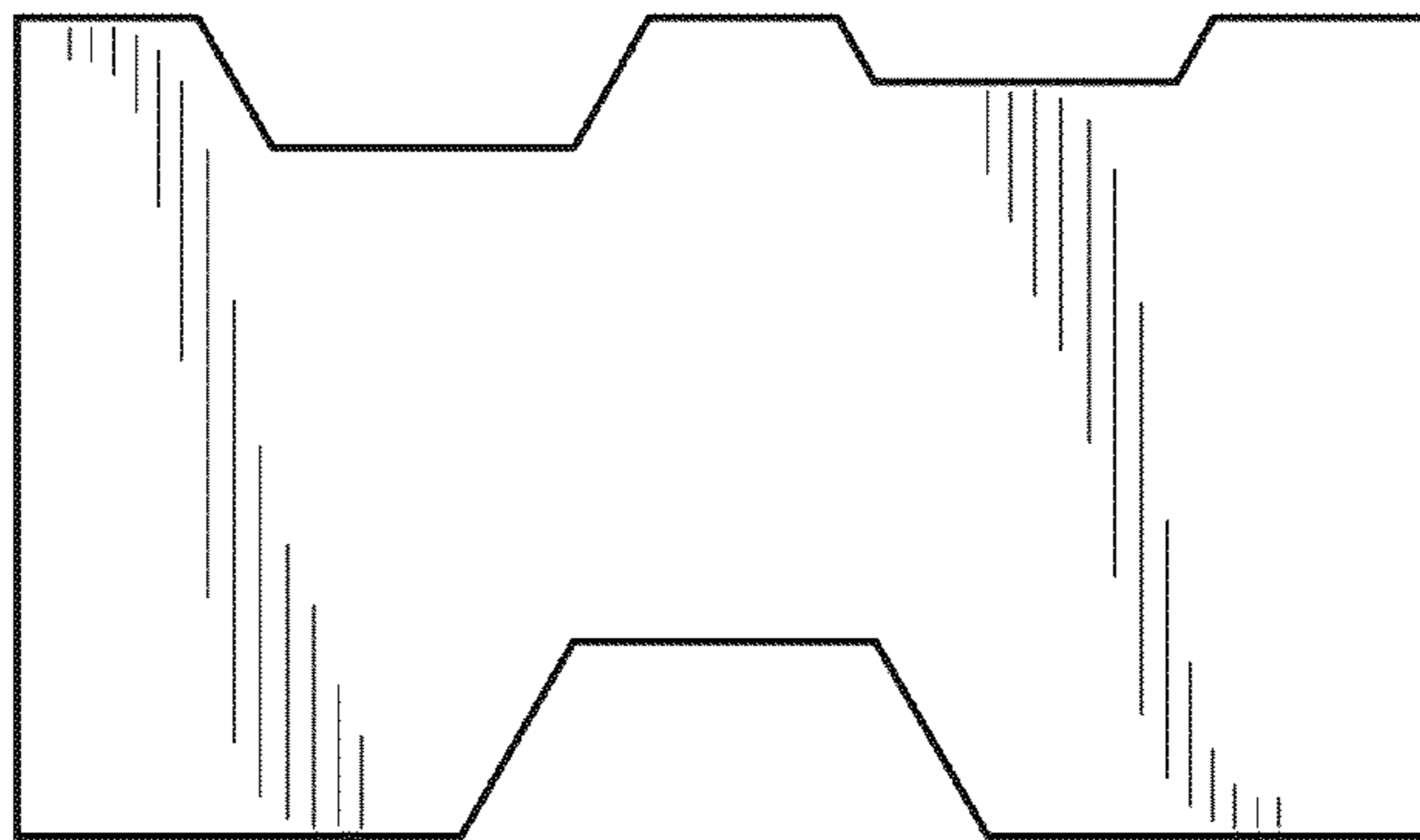


FIG. 2

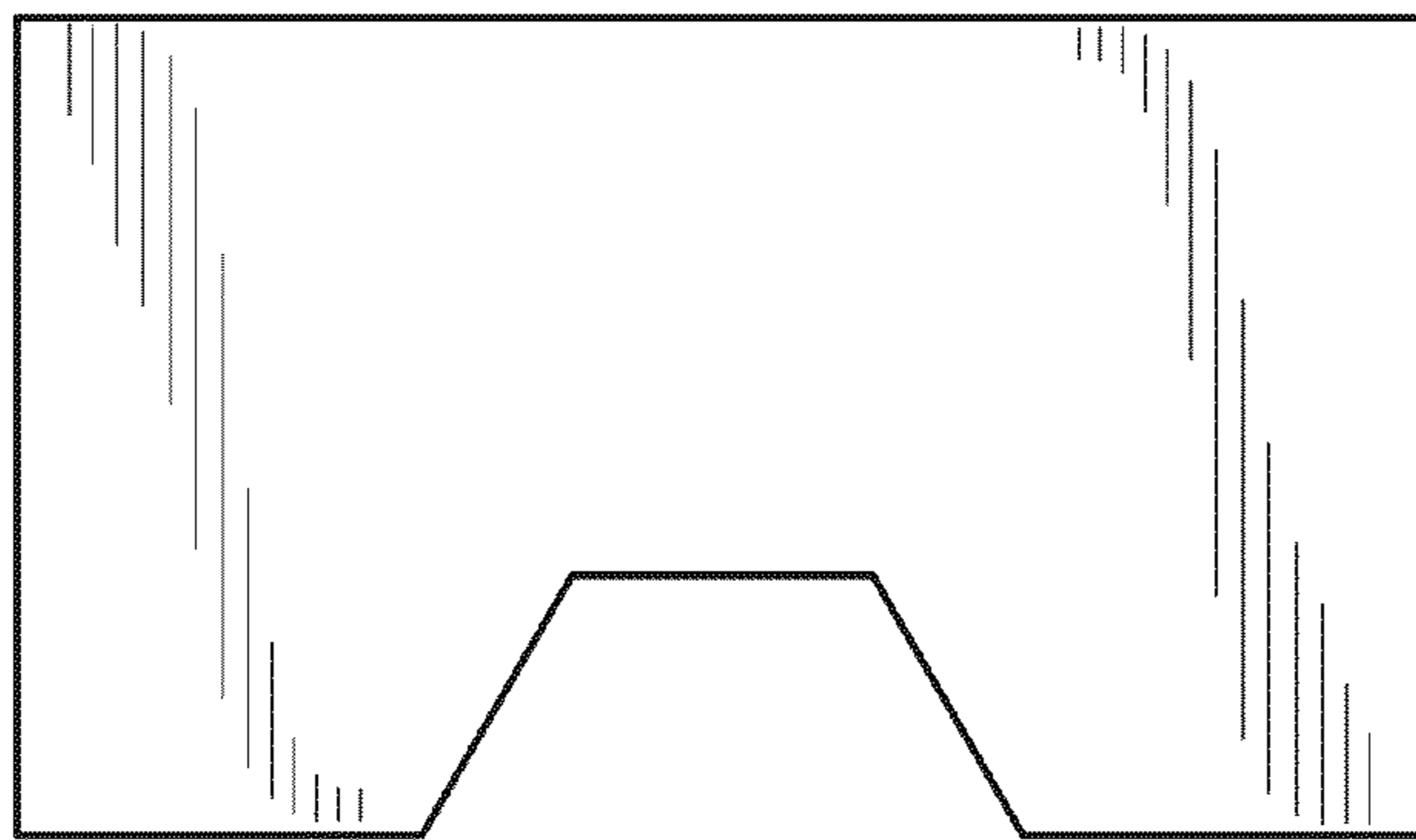


FIG. 3

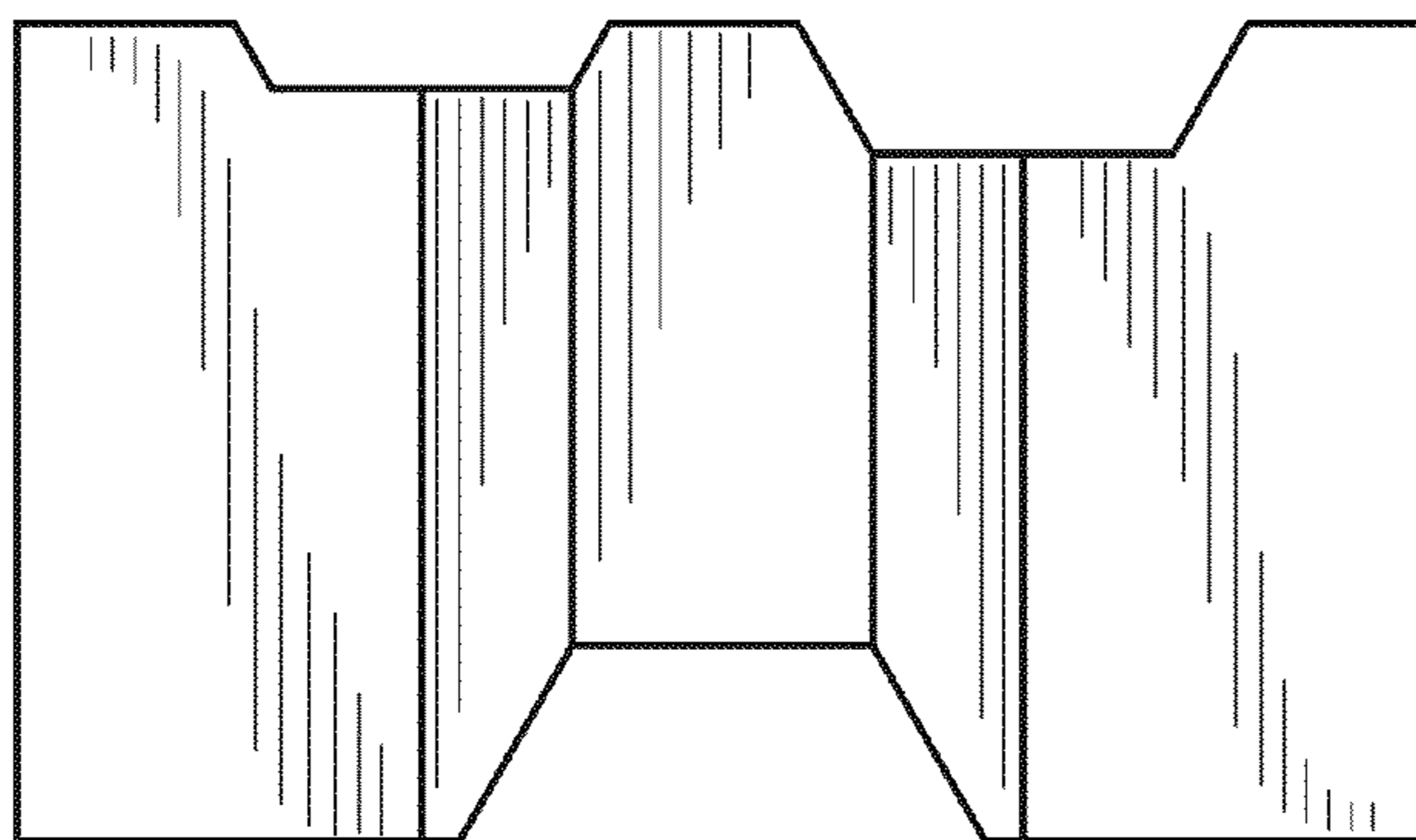


FIG. 4

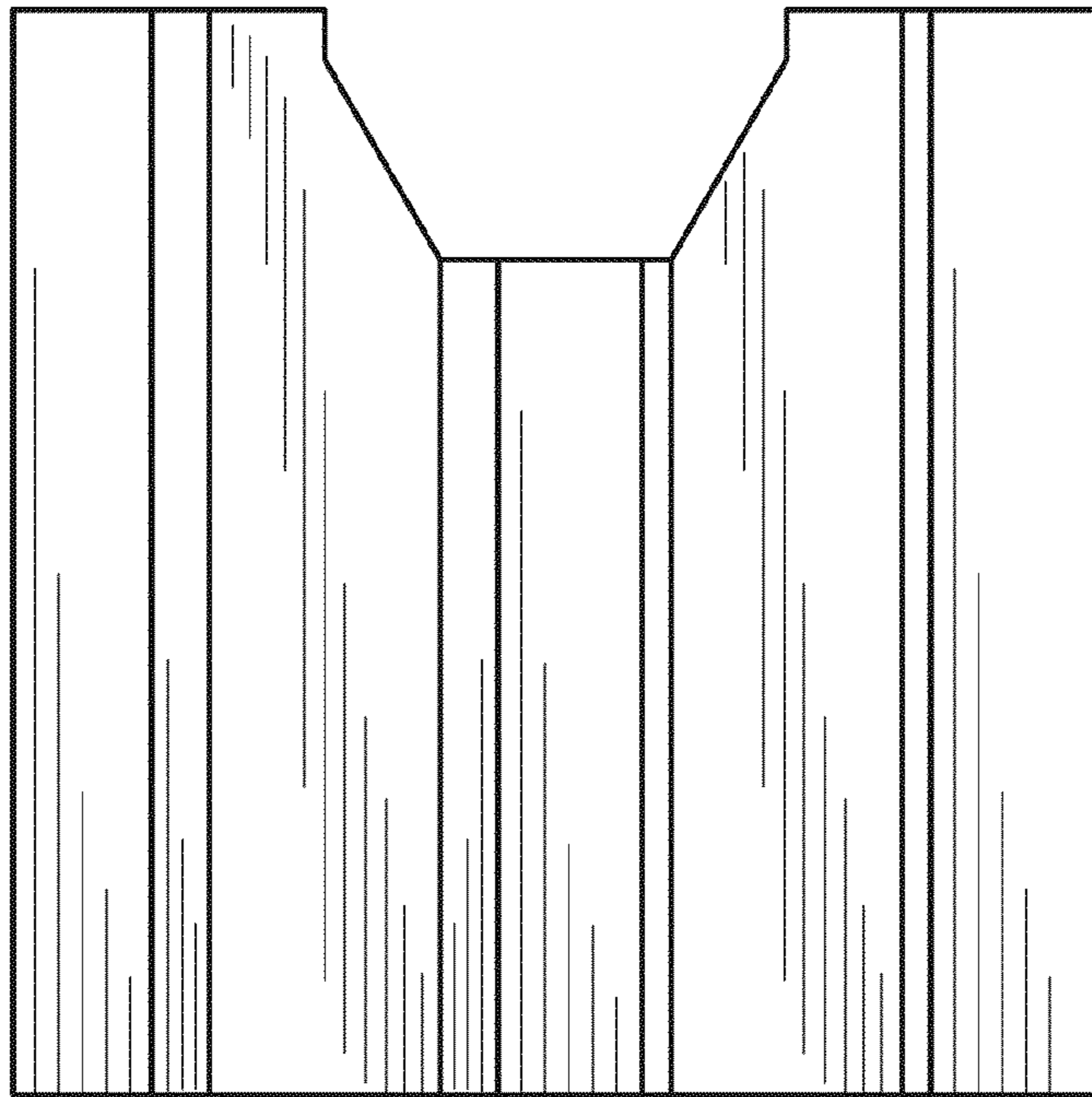


FIG. 5

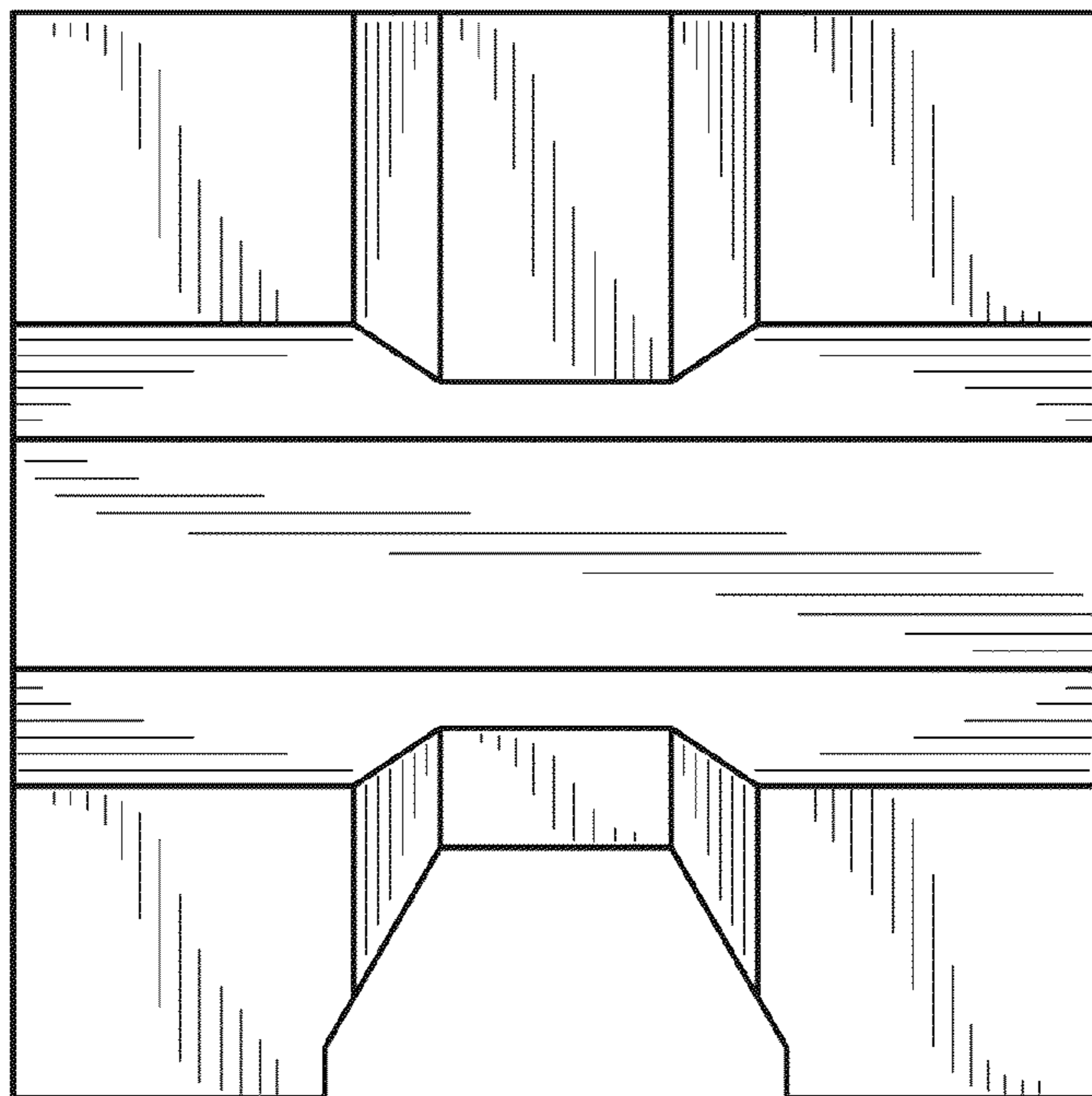


FIG. 6

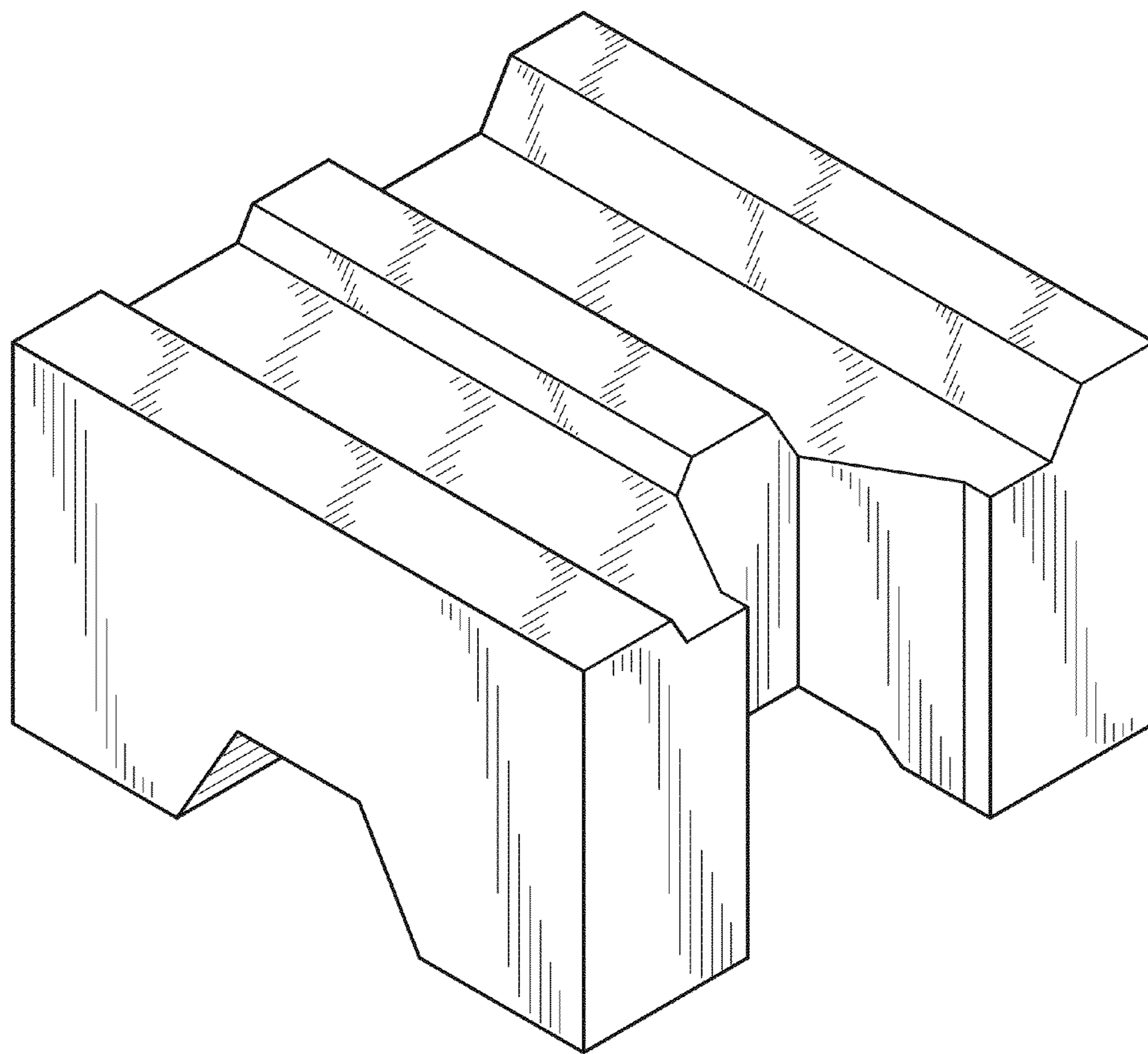


FIG. 7