



US00D706607S

(12) **United States Design Patent**  
**Mattson**

(10) **Patent No.:** **US D706,607 S**  
(45) **Date of Patent:** **\*\* Jun. 10, 2014**

(54) **CAM SPROCKET LOCK TOOL**  
(71) Applicant: **Ryan Mattson**, Rothschild, WI (US)  
(72) Inventor: **Ryan Mattson**, Rothschild, WI (US)  
(\*\*) Term: **14 Years**

(21) Appl. No.: **29/445,981**  
(22) Filed: **Feb. 19, 2013**  
(51) **LOC (10) Cl.** ..... **08-07**  
(52) **U.S. Cl.**  
USPC ..... **D8/330; D8/343**  
(58) **Field of Classification Search**  
USPC ..... D8/330, 331, 333, 343, 349, 354, 352,  
D8/400, 499; 70/51, 57, 57.1, 177, 199,  
70/431; 292/27, 111, 98, 257; 29/888.01,  
29/428; 46/160; 123/90.17, 90.16, 90.18,  
123/90.44; D14/483, 484  
See application file for complete search history.

(56) **References Cited**  
**U.S. PATENT DOCUMENTS**  
D321,181 S \* 10/1991 Arth ..... D14/483  
5,730,012 A \* 3/1998 Link ..... 70/236

5,875,366 A \* 2/1999 Yoshida et al. .... 396/395  
5,918,082 A \* 6/1999 Katsura ..... 396/395  
6,161,445 A \* 12/2000 Worringer ..... 74/89.21  
6,817,095 B2 \* 11/2004 Foster et al. .... 29/888.01  
7,018,313 B2 \* 3/2006 Nakamura ..... 474/152  
7,198,021 B2 \* 4/2007 Kawakubo et al. .... 123/198 P  
8,544,431 B2 \* 10/2013 Riley ..... 123/90.16

\* cited by examiner

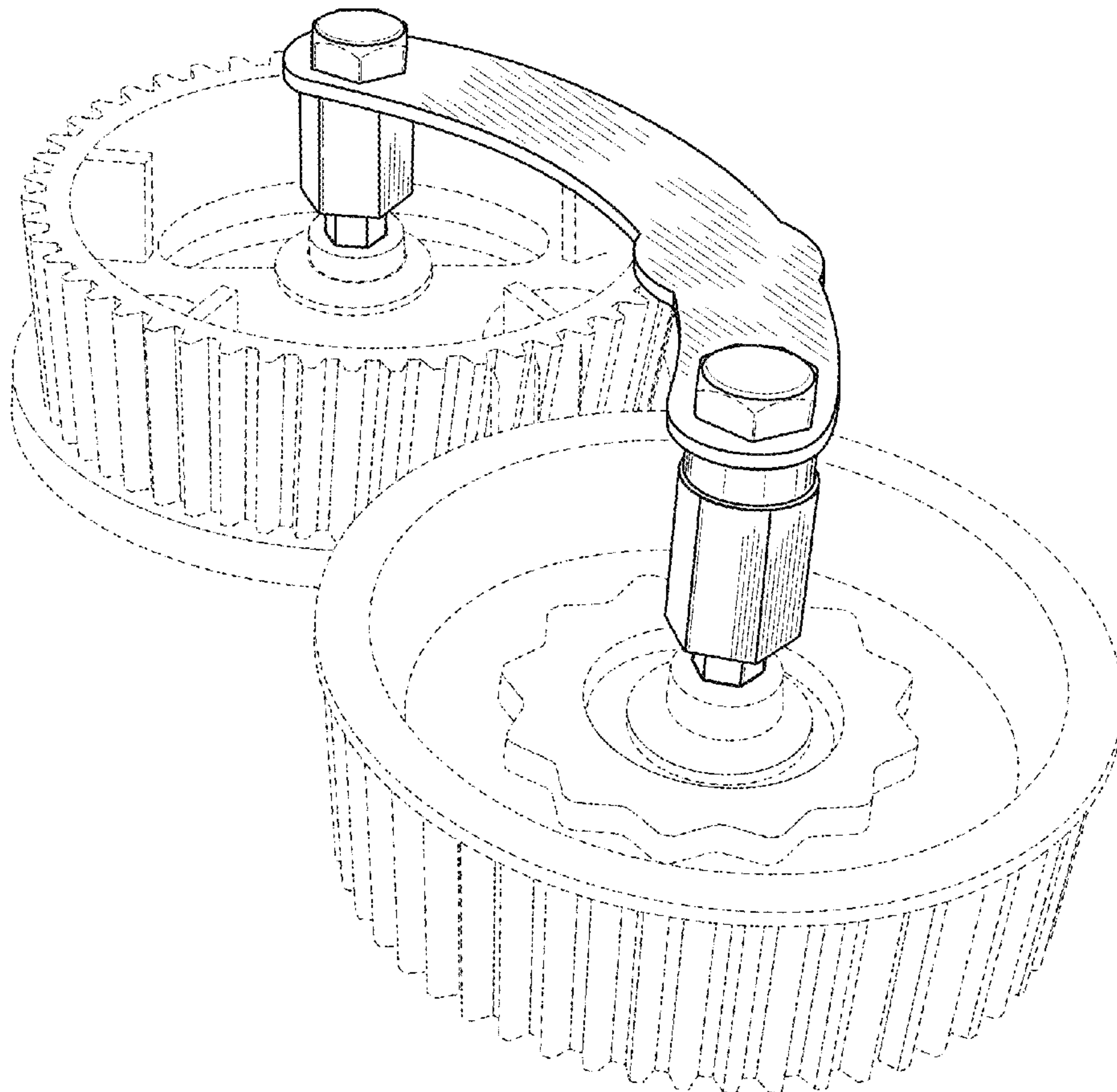
*Primary Examiner* — Prabhakar Deshmukh

(57) **CLAIM**  
I claim the ornamental design for a cam sprocket lock tool, as shown and described.

**DESCRIPTION**

FIG. 1 is a perspective view of a cam sprocket lock tool, showing my new design;  
FIG. 2 is a front elevational view thereof;  
FIG. 3 is a rear elevational view thereof;  
FIG. 4 is a left-side elevational view thereof;  
FIG. 5 is a right-side elevational view thereof;  
FIG. 6 is a top plan view thereof; and,  
FIG. 7 is a bottom plan view thereof.  
The broken lines showing gears in FIG. 1 depict environmental matter and form no part of the claimed design.

**1 Claim, 3 Drawing Sheets**



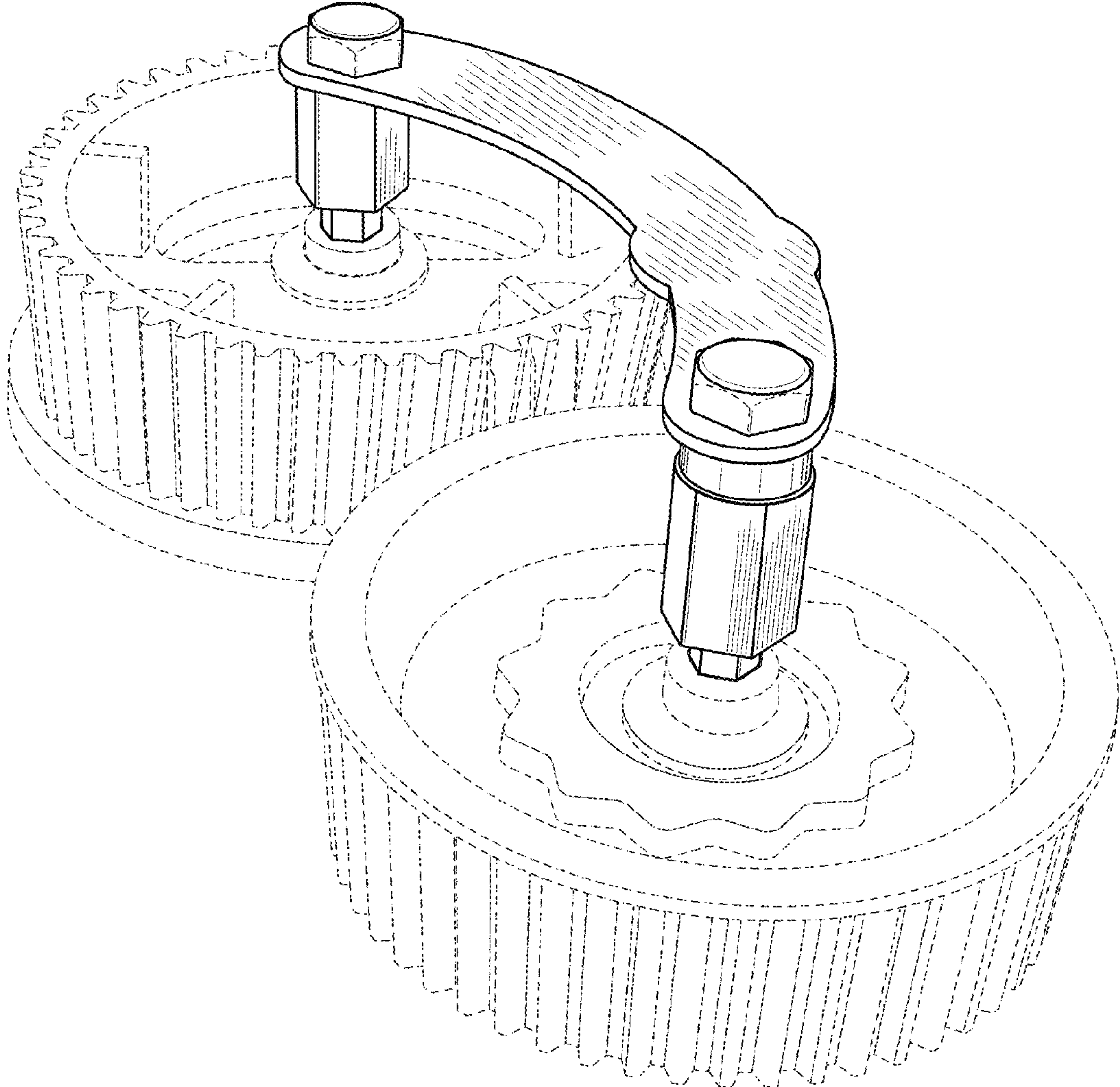


FIG. 1

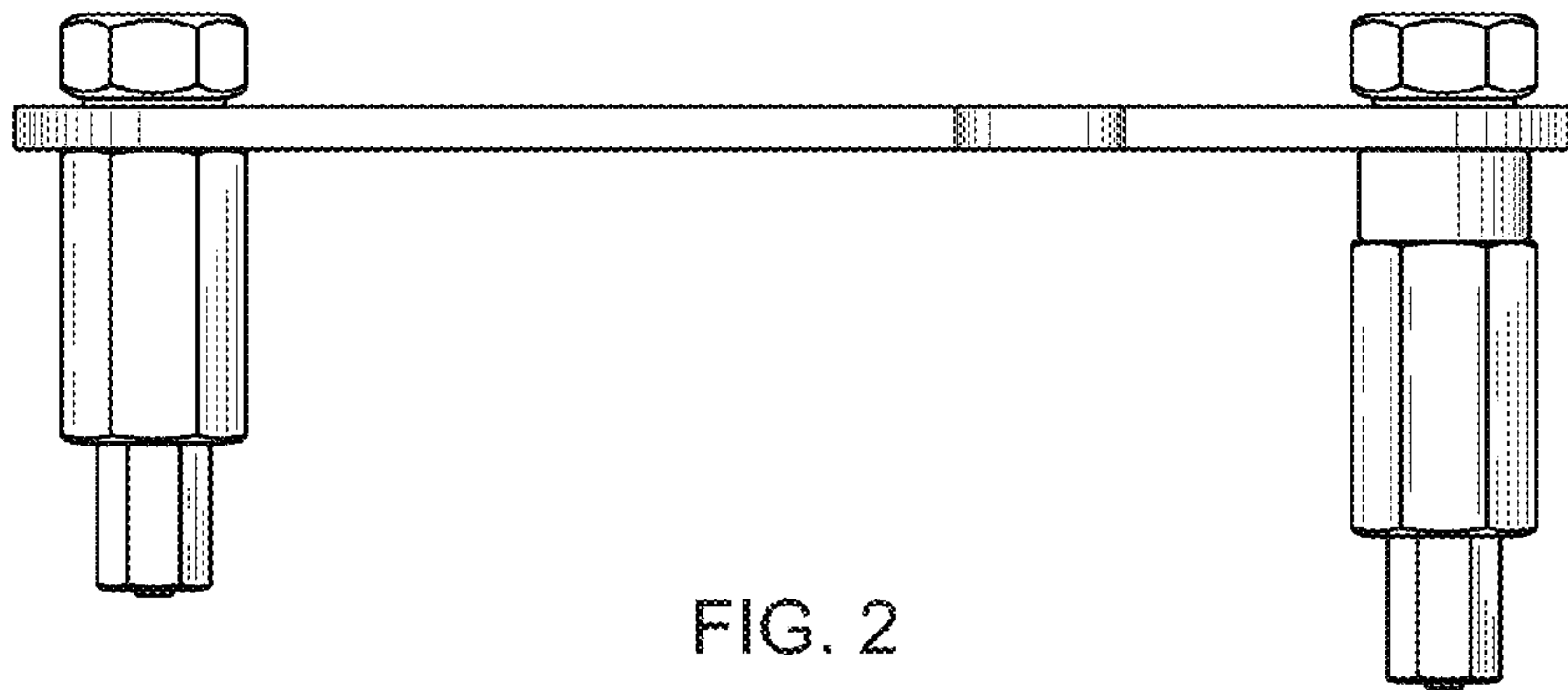


FIG. 2

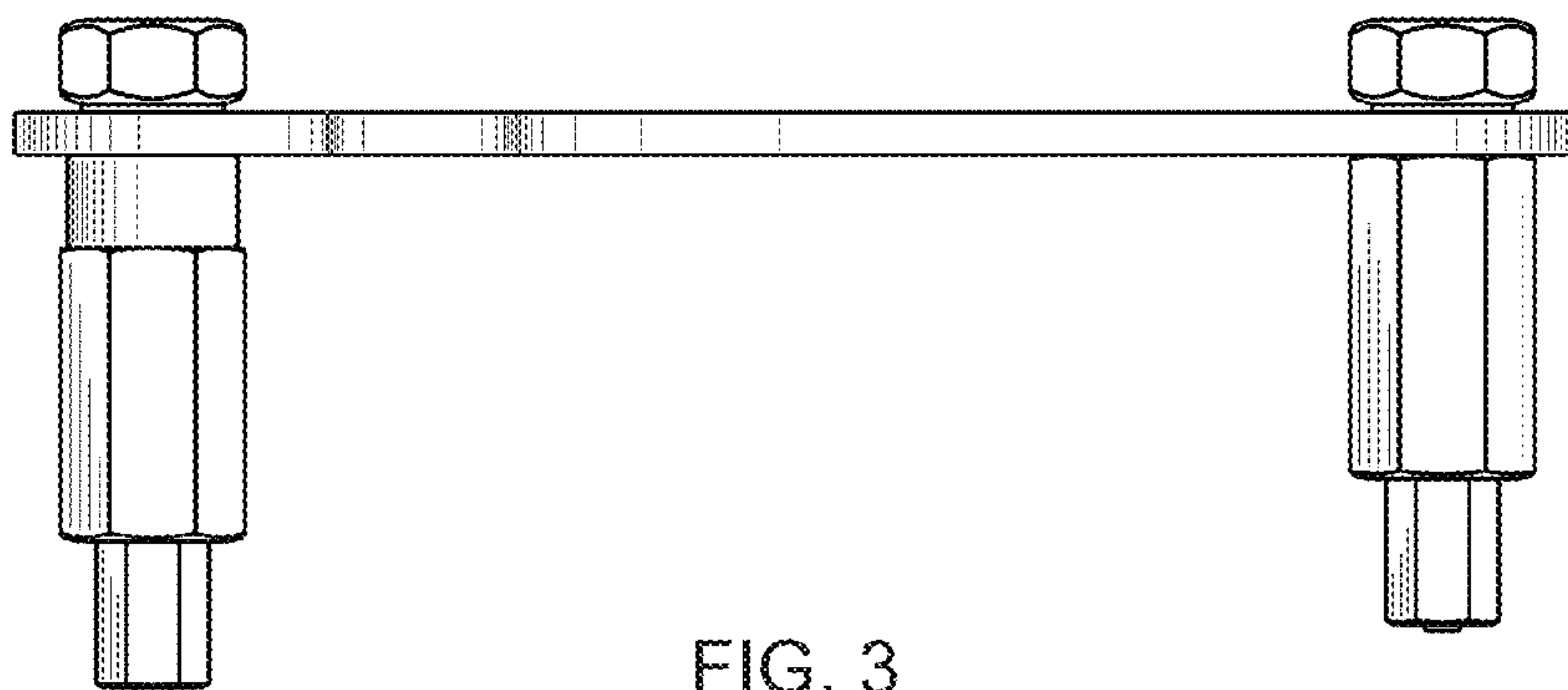


FIG. 3

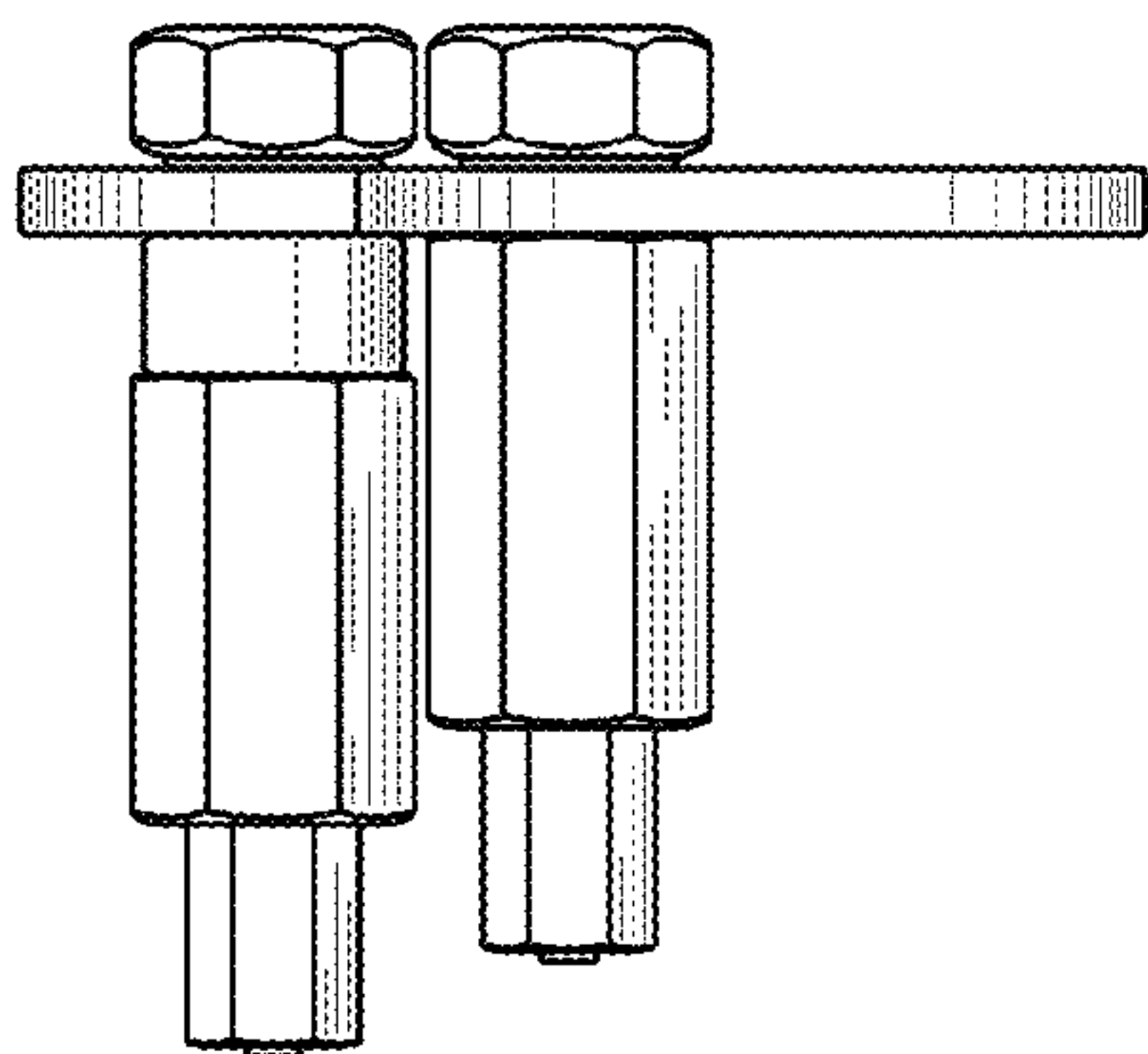


FIG. 4

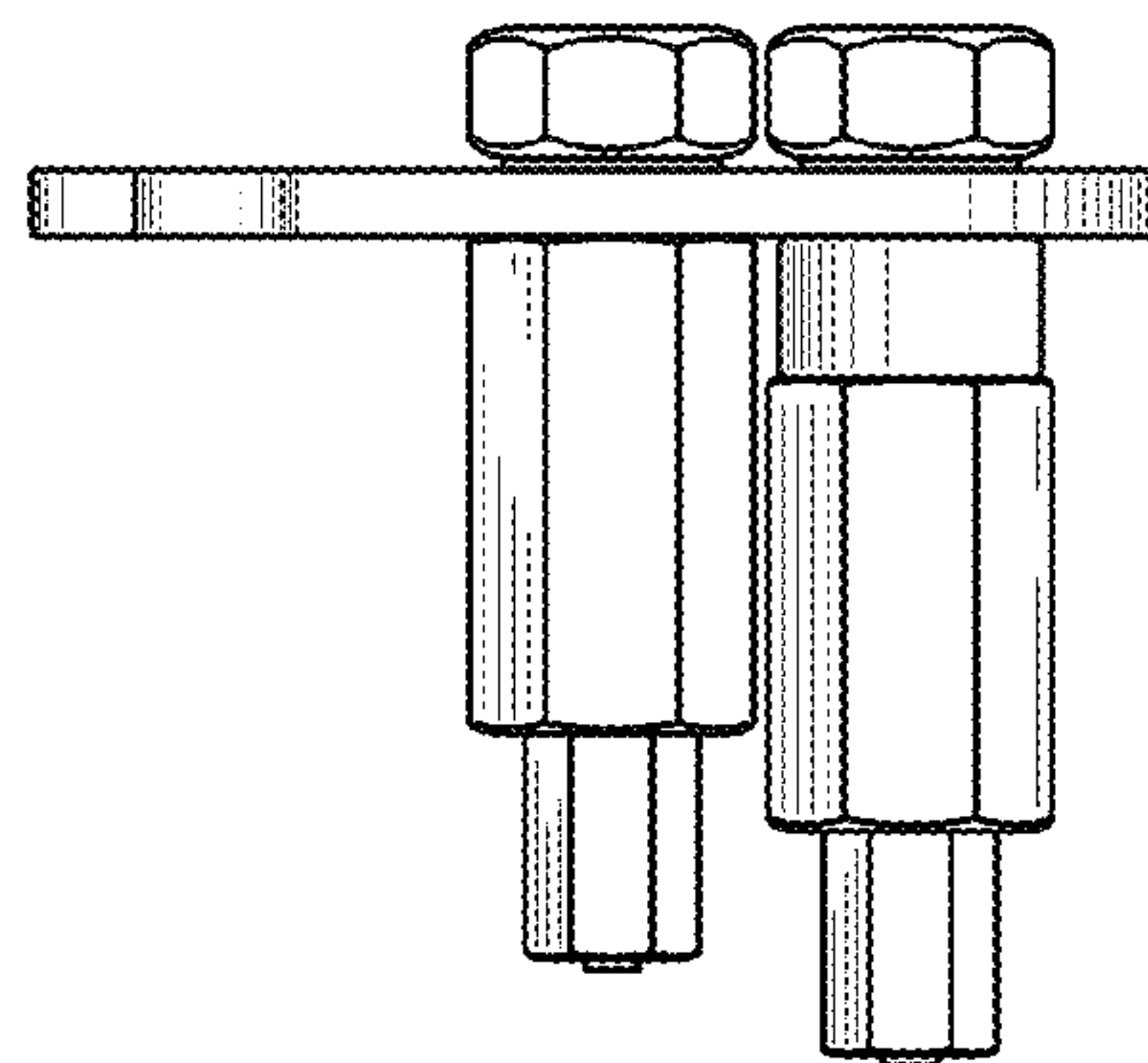


FIG. 5

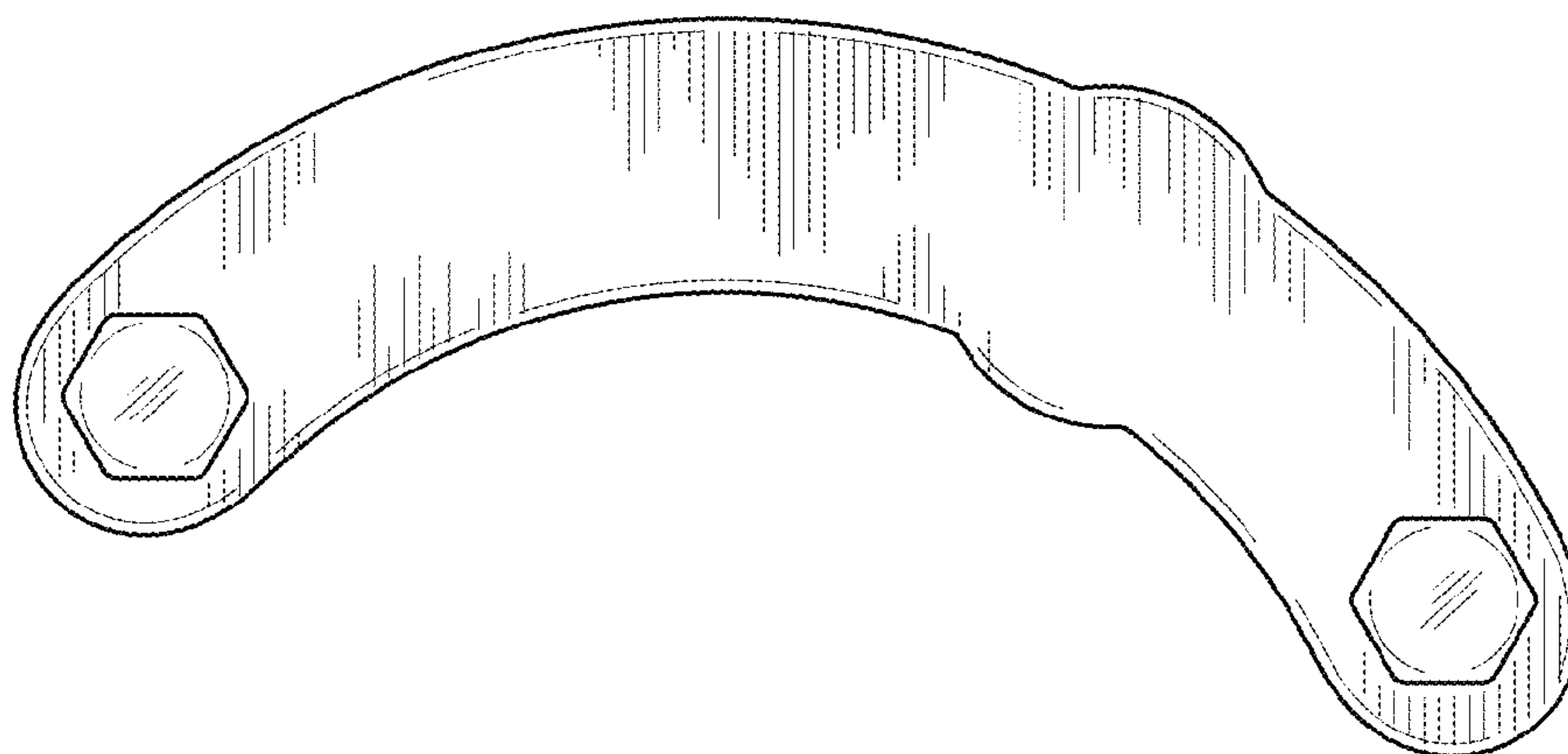


FIG. 6

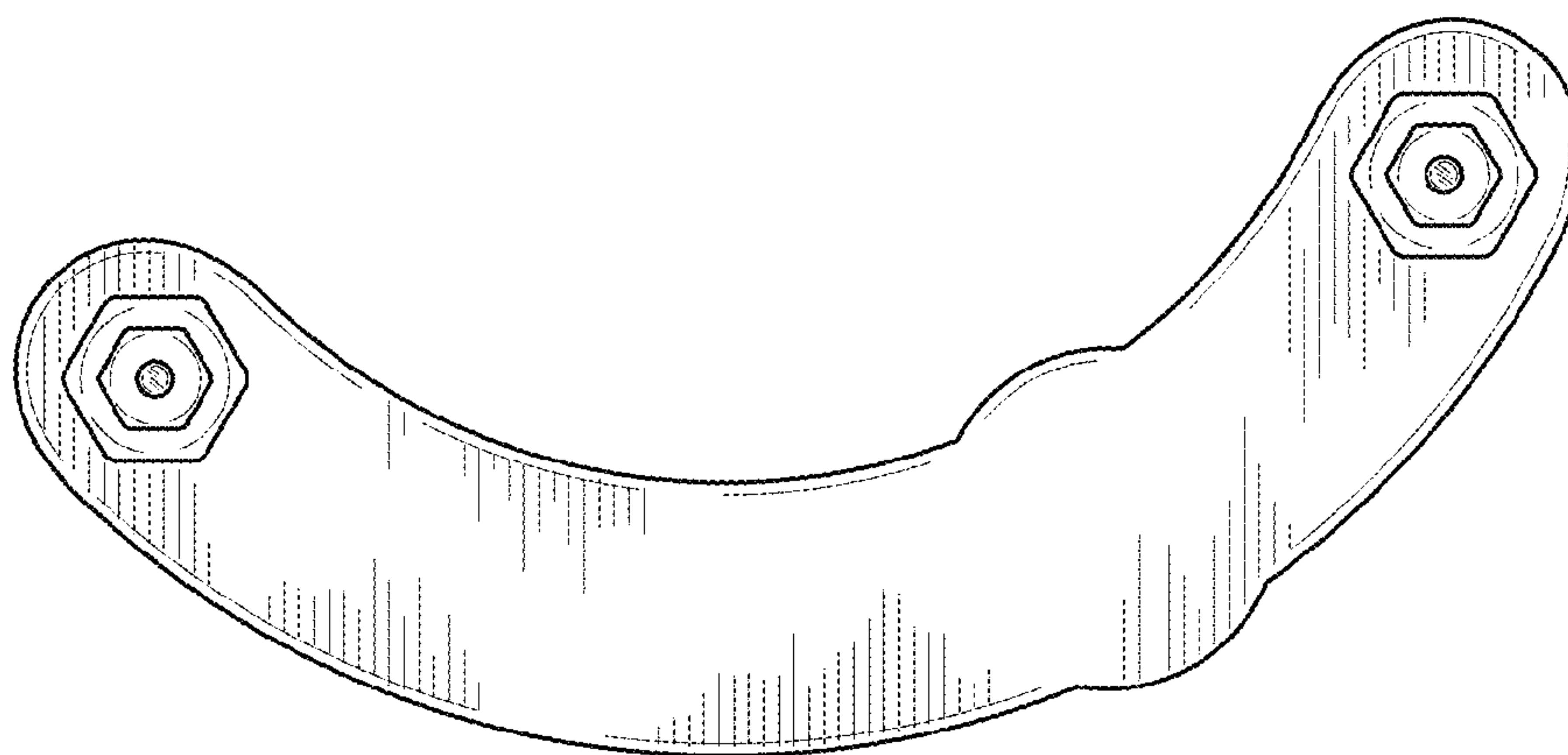


FIG. 7