



US00D706606S

(12) **United States Design Patent**
Dorius et al.

(10) **Patent No.:** **US D706,606 S**
(45) **Date of Patent:** **** Jun. 10, 2014**

(54) **HOLIDAY ORNAMENT MULTI-TOOL**

(71) Applicants: **Irma Lee Ann Dorius**, Austin, TX (US);
Kirk Dorius, Austin, TX (US); **Timothy Uys**, Leander, TX (US); **Bruce K. Lee**, Lewisville, TX (US)

(72) Inventors: **Irma Lee Ann Dorius**, Austin, TX (US);
Kirk Dorius, Austin, TX (US); **Timothy Uys**, Leander, TX (US); **Bruce K. Lee**, Lewisville, TX (US)

(**) Term: **14 Years**

(21) Appl. No.: **29/465,854**

(22) Filed: **Sep. 1, 2013**

Related U.S. Application Data

(62) Division of application No. 29/393,403, filed on Jun. 3, 2011, now Pat. No. Des. 694,086.

(51) **LOC (10) Cl.** **08-05**

(52) **U.S. Cl.**
USPC **D8/105; D11/128**

(58) **Field of Classification Search**
USPC D8/105, 107, 33, 34, 14, 16, 87;
D9/617, 600, 640, 655, 659, 614;
D11/121, 117, 125, 128, 129, 130,
D11/184; 30/157, 399; D3/210; 428/7, 8, 9;
362/806

See application file for complete search history.

(56) **References Cited**

U.S. PATENT DOCUMENTS

D74,122 S * 12/1927 Royal D9/617
D192,388 S * 3/1962 De Kolb D9/617
D234,941 S * 4/1975 Gottsegen D9/617
D234,942 S * 4/1975 Gottsegen D9/617
D249,027 S * 8/1978 Dibble D11/125

D310,024 S * 8/1990 Maschino D9/659
D317,140 S * 5/1991 Black D11/118
D327,036 S * 6/1992 Melnick D11/121
D332,394 S * 1/1993 Leonard et al. D9/659
D346,097 S * 4/1994 Godinger et al. D7/680
D347,555 S * 6/1994 Steinbach D7/680
D404,669 S * 1/1999 Welter et al. D10/106.4
D405,707 S * 2/1999 Smyth et al. D10/106.4
D428,808 S * 8/2000 Ying D9/617
D431,774 S * 10/2000 Davis D9/659
D458,407 S * 6/2002 Yu D26/127
D484,826 S * 1/2004 Puntch D11/128
D497,532 S * 10/2004 Rivera et al. D8/107
D499,354 S * 12/2004 Yang D11/118
D499,355 S * 12/2004 Yang D11/121

(Continued)

Primary Examiner — Susan Bennett Hattan

Assistant Examiner — Janice Hallmark

(74) *Attorney, Agent, or Firm* — Kirk Dorius

(57) **CLAIM**

The ornamental design for a holiday ornament multi-tool, substantially as shown and described.

DESCRIPTION

FIG. 1 is a front right perspective view of a holiday ornament multi-tool.

FIG. 2 is a front view of a holiday ornament multi-tool.

FIG. 3 is a back view of a holiday ornament multi-tool.

FIG. 4 is a right side view of a holiday ornament multi-tool.

FIG. 5 is a left side view of a holiday ornament multi-tool.

FIG. 6 is a bottom view of a holiday ornament multi-tool.

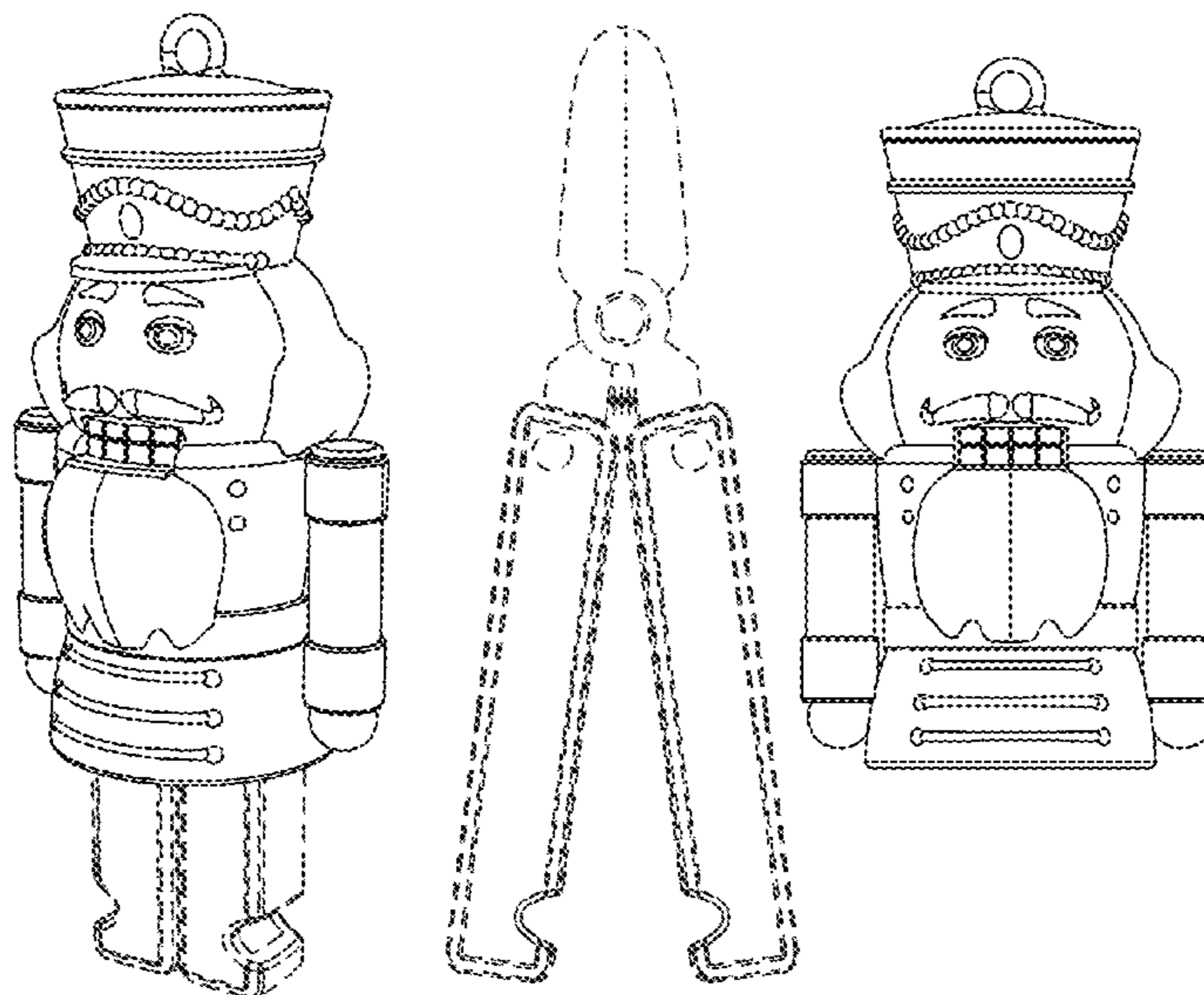
FIG. 7 is a top view of a holiday ornament multi-tool.

FIG. 8 is a front view of a stowed holiday ornament multi-tool on display; and,

FIG. 9 is a front view of a deployed holiday ornament multi-tool.

The broken lines in the drawings depict environmental subject matter only and form no part of the claimed design.

1 Claim, 3 Drawing Sheets



(56)

References Cited

U.S. PATENT DOCUMENTS

D499,663 S * 12/2004 Yang D11/129
D543,084 S * 5/2007 Yale D8/105
D562,714 S * 2/2008 Priestly D10/106.4
D567,690 S * 4/2008 Priestly D10/106.4

D627,202 S * 11/2010 Steineckert et al. D8/55
D630,925 S * 1/2011 Garcia et al. D8/105
D665,068 S * 8/2012 Browder D23/367
D665,069 S * 8/2012 Browder D23/367
D665,070 S * 8/2012 Browder D23/367
D694,086 S * 11/2013 Dorius et al. D8/105

* cited by examiner

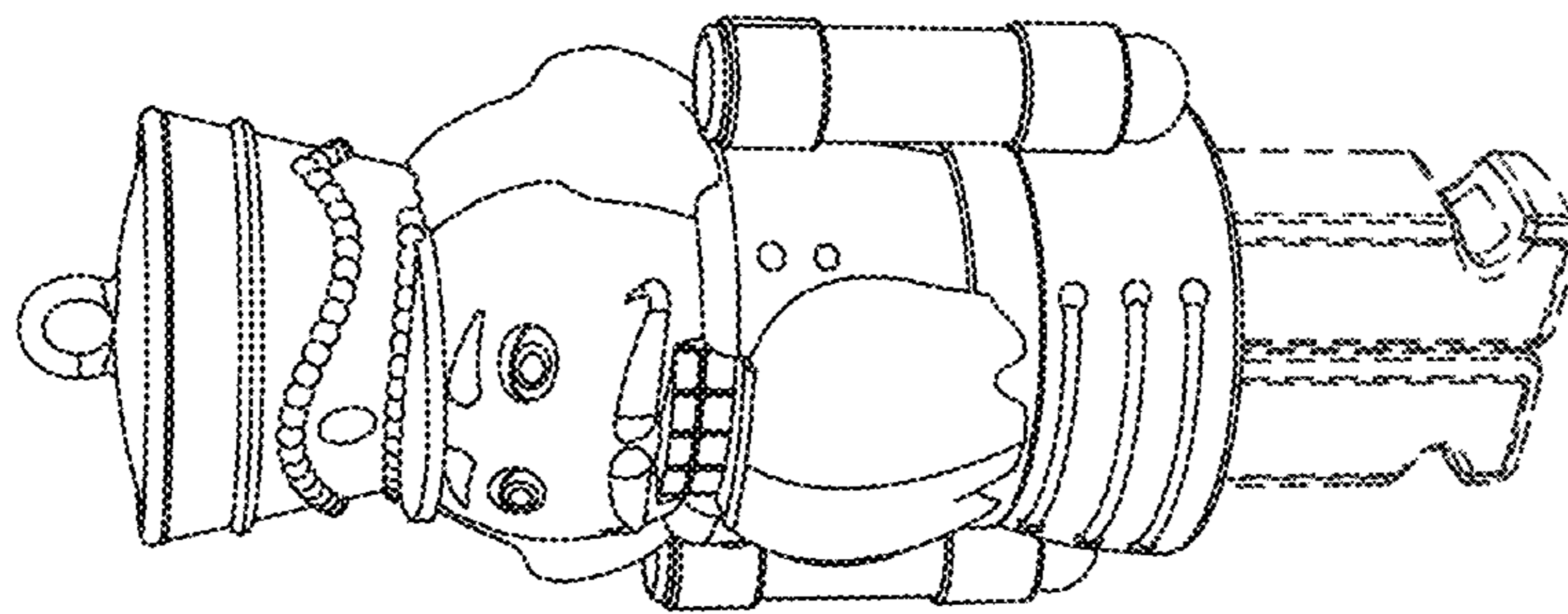


Fig. 1

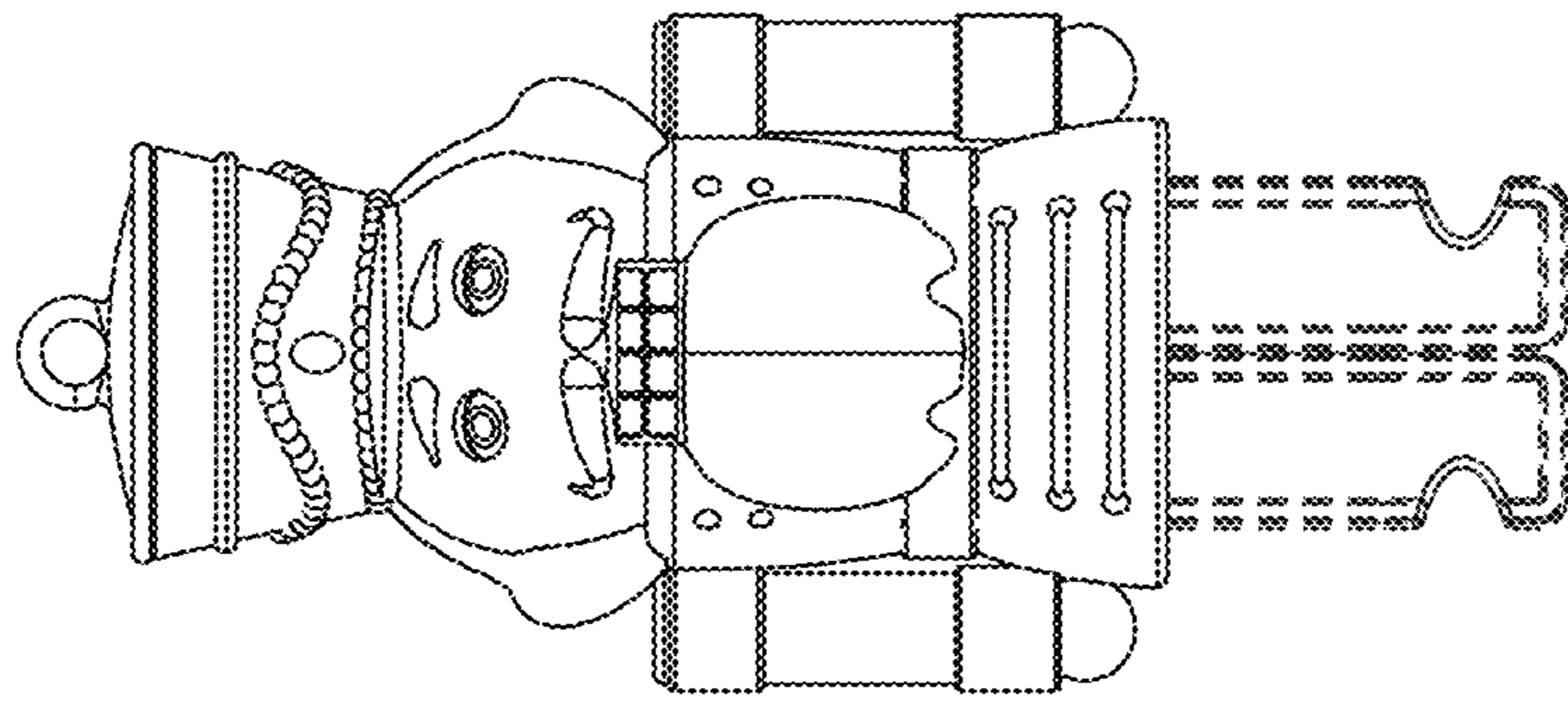


Fig. 2

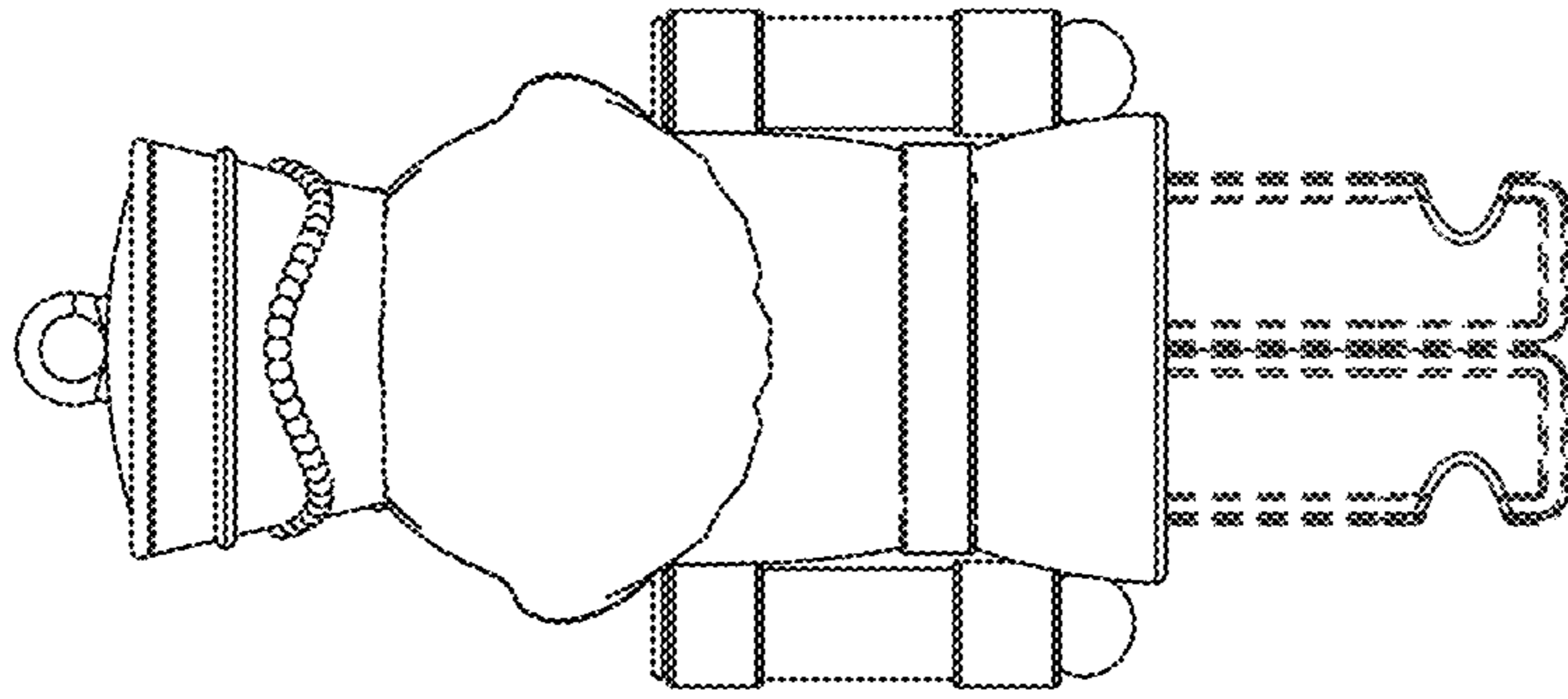


Fig. 3

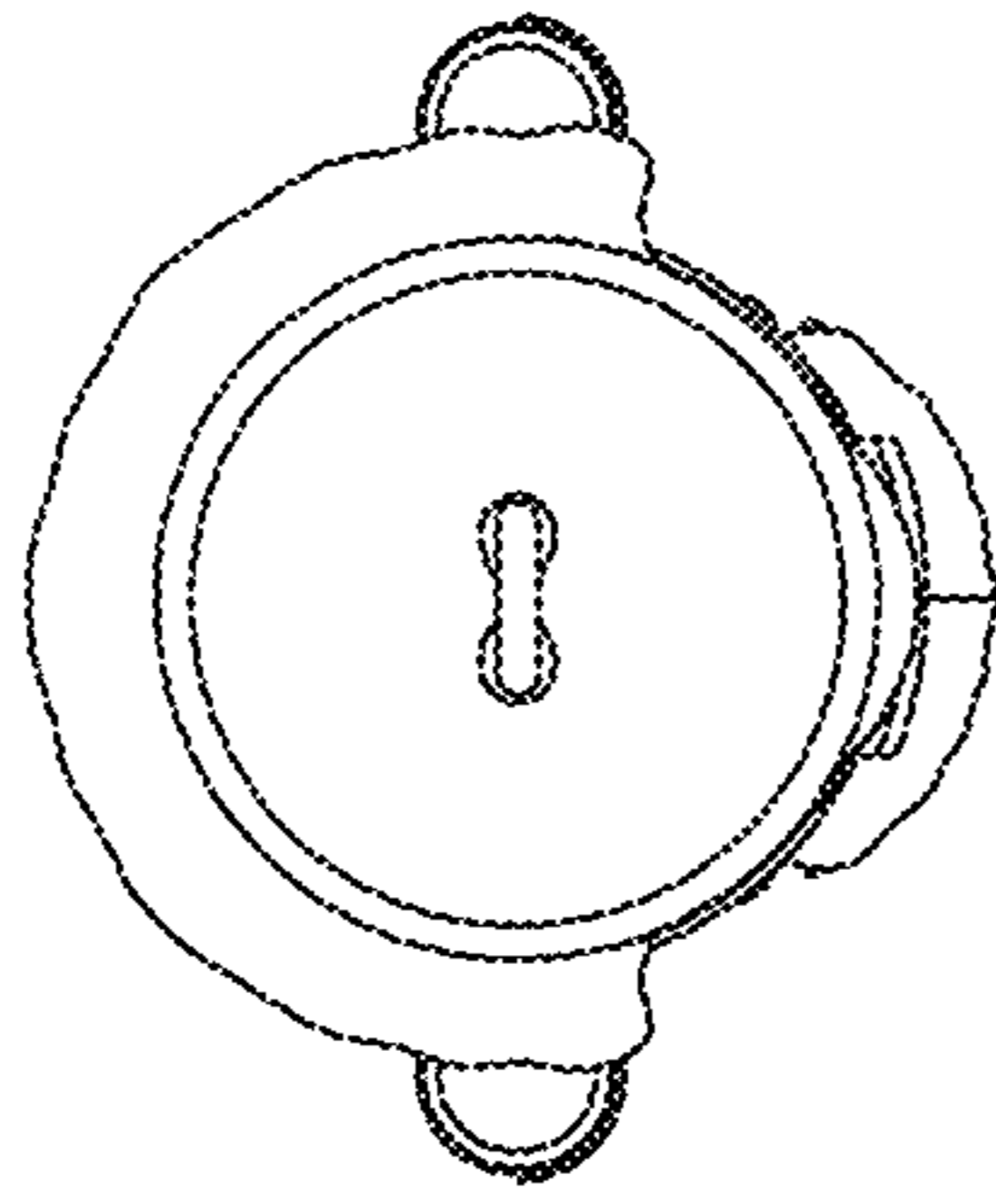


Fig. 6

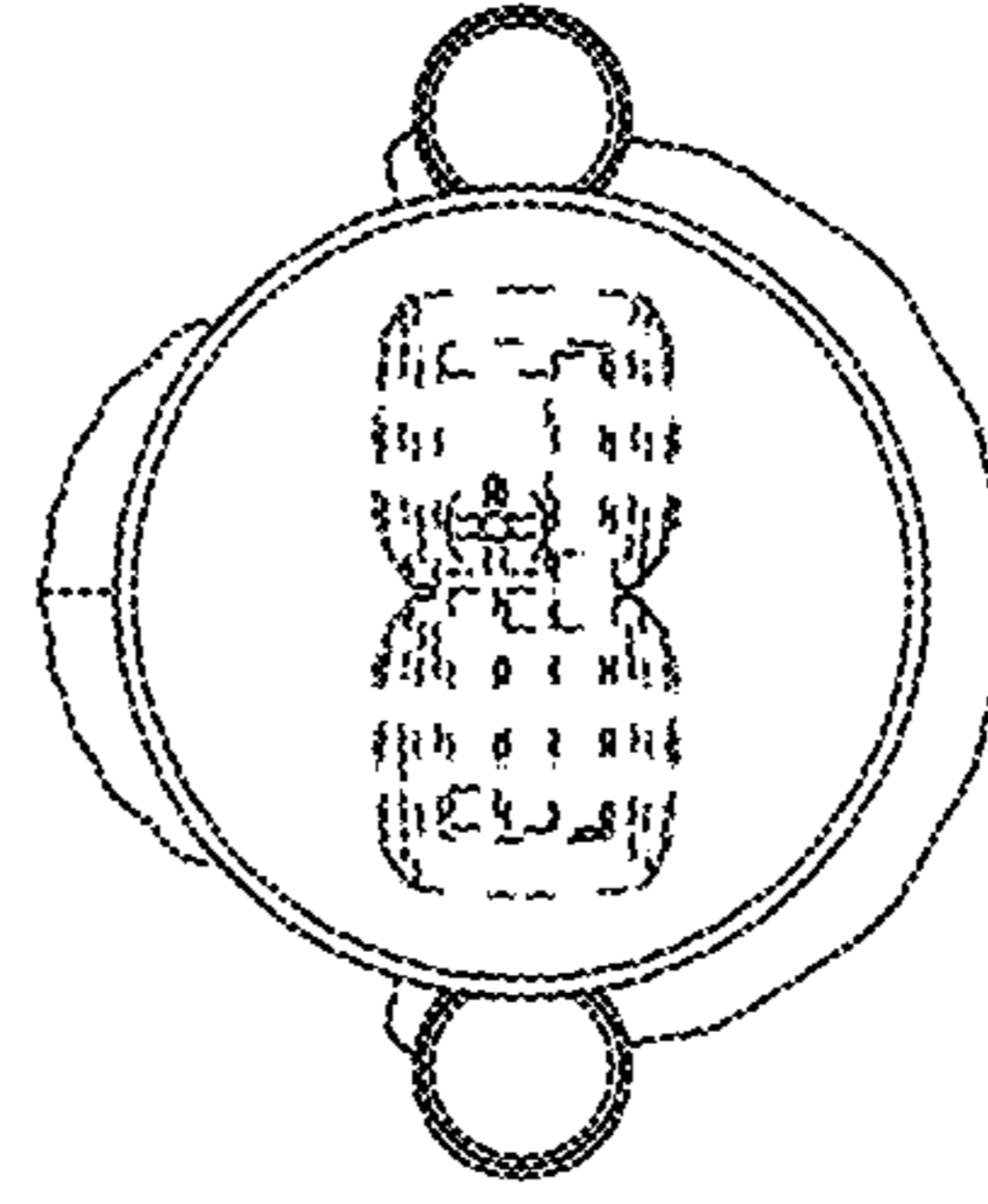


Fig. 7

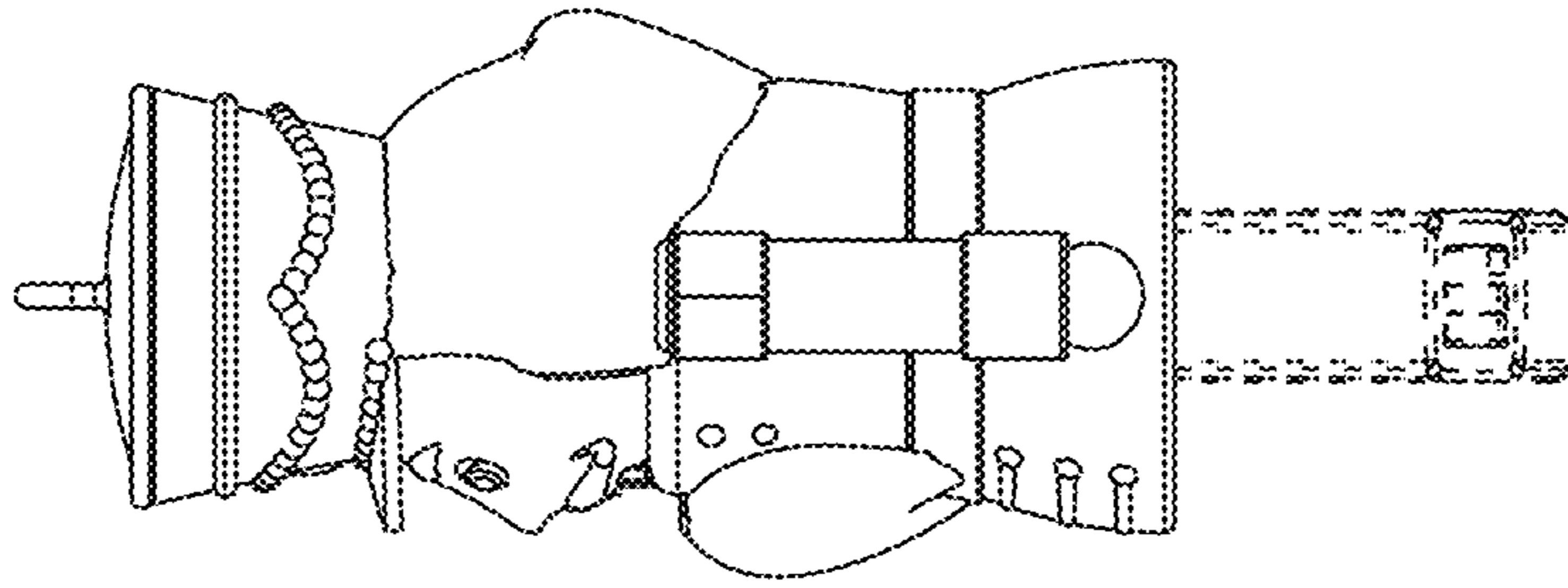


Fig. 5

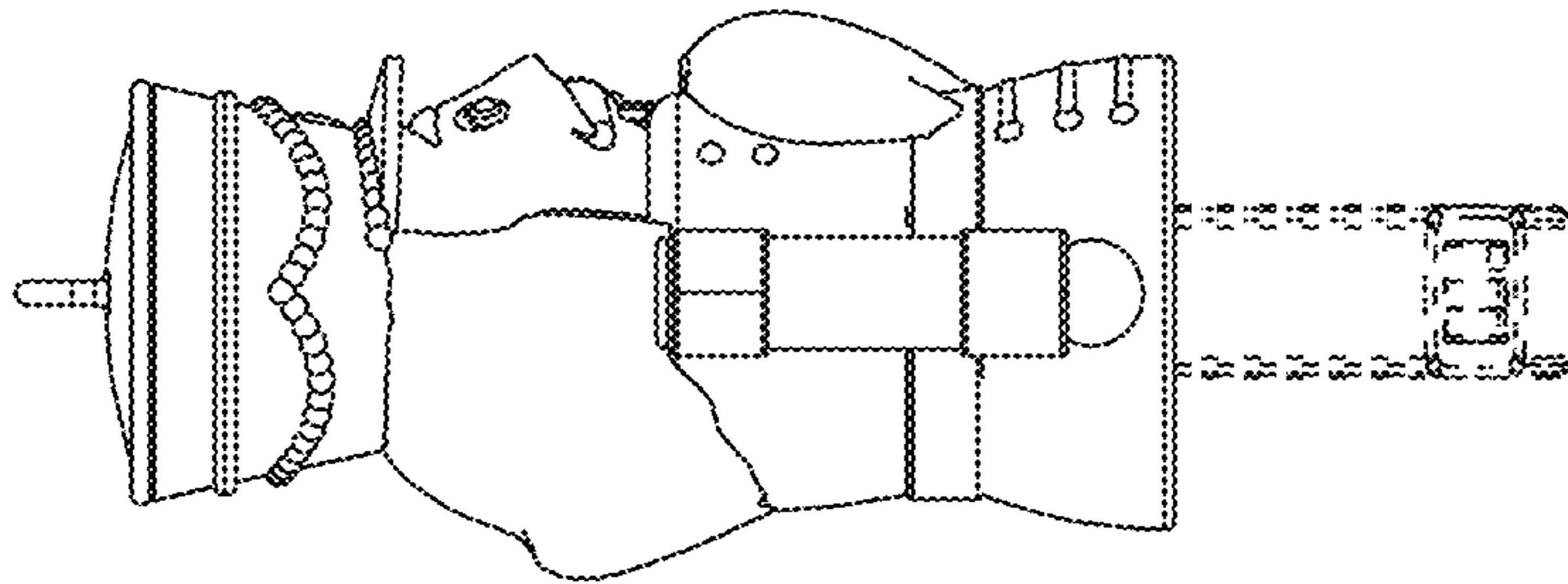


Fig. 4

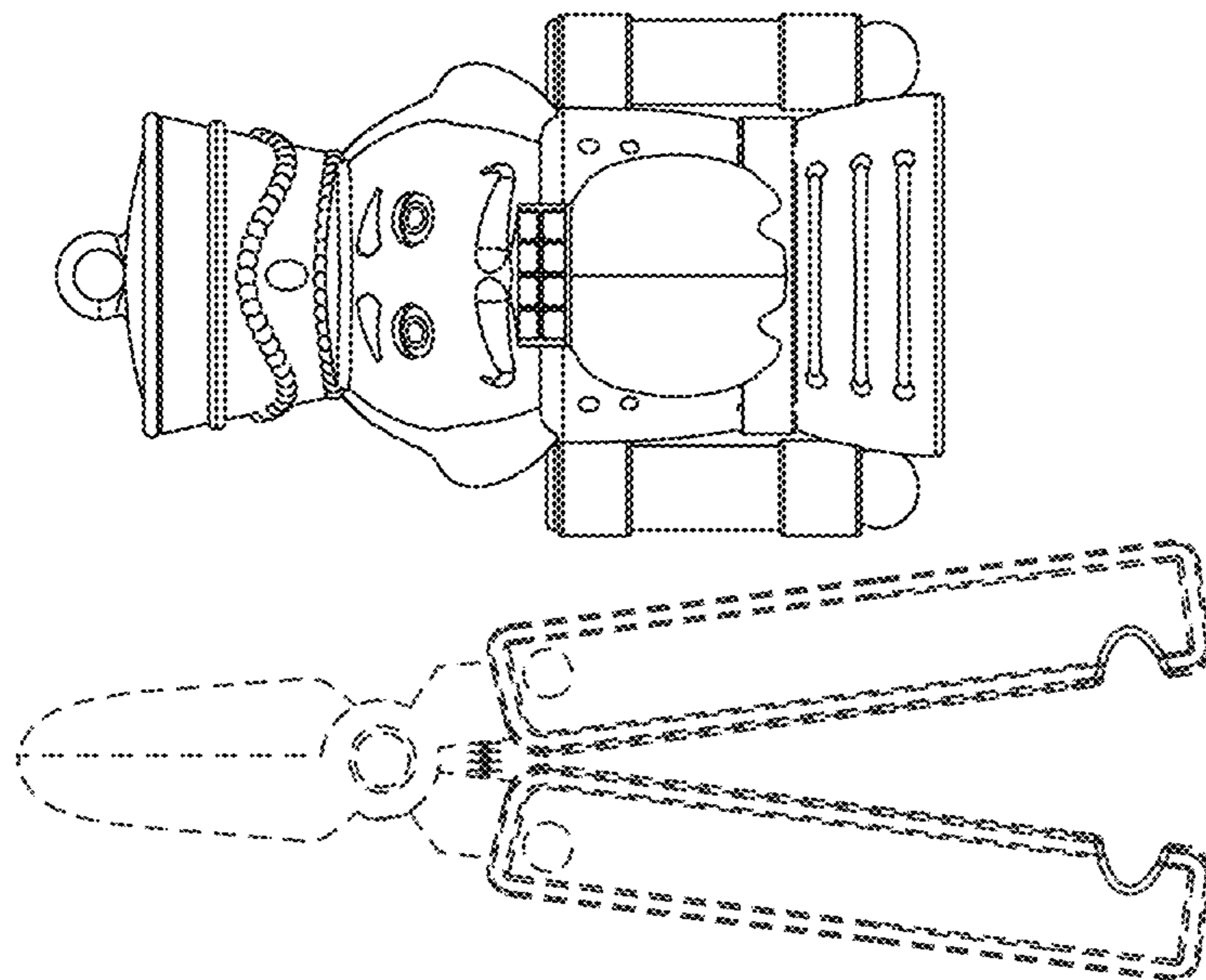


Fig. 8

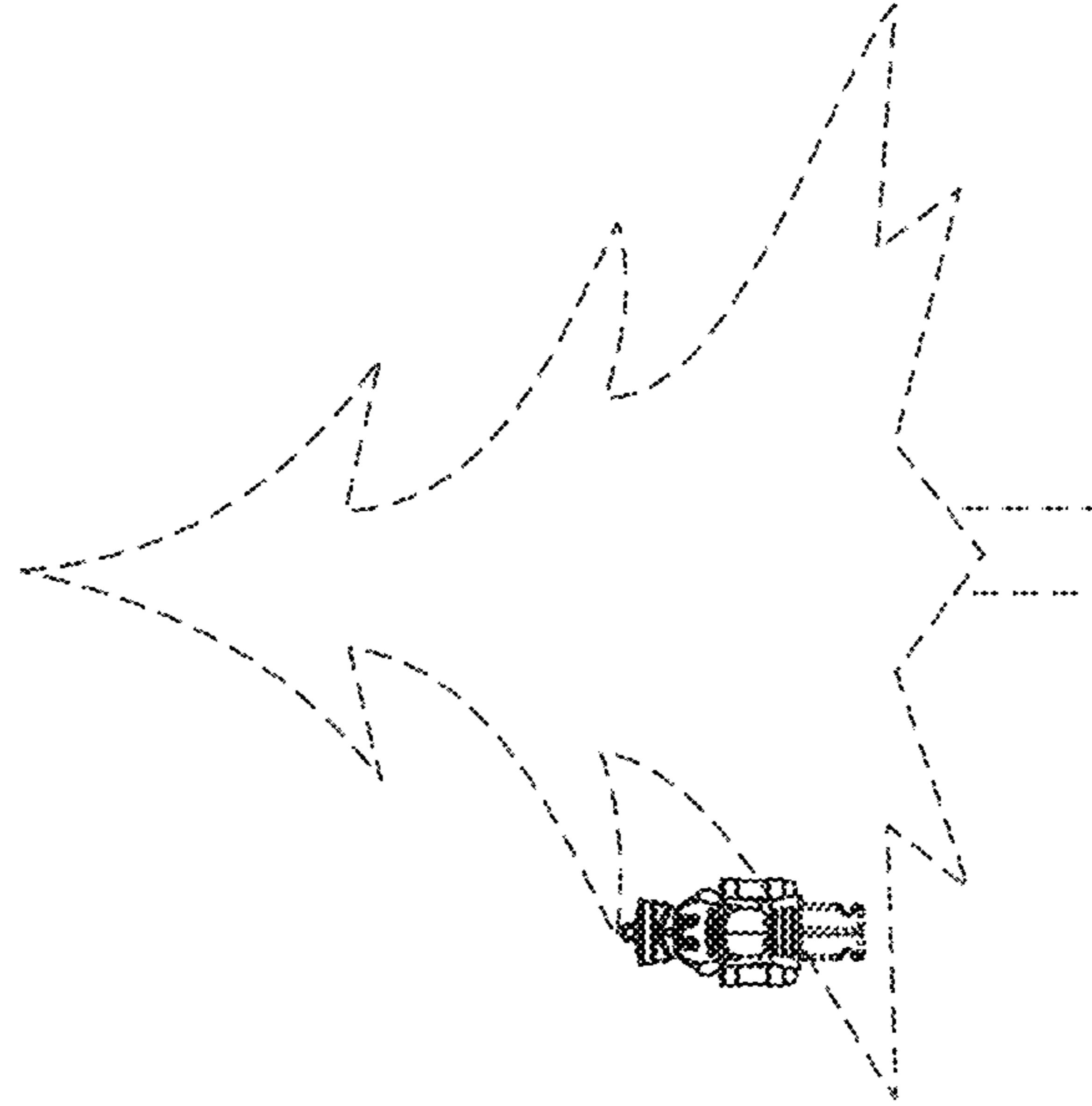


Fig. 9