



US00D706605S

(12) **United States Design Patent**  
**Cheng**

(10) **Patent No.:** **US D706,605 S**  
(45) **Date of Patent:** **\*\* Jun. 10, 2014**

(54) **KNIFE**  
(71) Applicant: **Yang-Fu Cheng**, Taipei (TW)  
(72) Inventor: **Yang-Fu Cheng**, Taipei (TW)  
(73) Assignee: **Taylor Brands, LLC**, Kingsport, TN (US)  
(\*\*) Term: **14 Years**

D578,857 S	10/2008	Yang-Fu	
D599,640 S	9/2009	Yang-Fu	
D599,641 S	9/2009	Tang-Fu	
D600,090 S	9/2009	Yang-Fu	
D613,145 S	4/2010	Yang-Fu	
7,814,664 B2 *	10/2010	LeBlanc et al.	30/161
D632,154 S	2/2011	Yang-Fu	
D632,539 S	2/2011	Taylor et al.	
D632,755 S	2/2011	Weiguo	
D660,676 S	5/2012	Yang-Fu	
D670,149 S *	11/2012	Yang-Fu	D8/99
D688,933 S *	9/2013	Cheng	D8/99

(21) Appl. No.: **29/441,528**  
(22) Filed: **Jan. 7, 2013**  
(51) **LOC (10) Cl.** ..... **08-04**  
(52) **U.S. Cl.**  
USPC ..... **D8/99**  
(58) **Field of Classification Search**  
USPC ..... D8/7, 12, 19, 20, 95, 97-100, 105, 107;  
D22/118; D7/649, 650, 652; 7/118;  
30/155, 158-161, 346, 351-352,  
30/355-357  
See application file for complete search history.

**OTHER PUBLICATIONS**

SHA 3 Assisted Opening Knife. [http://www.taylorbrandsllc.com/shop/assisted-opening-c-22\\_27.html](http://www.taylorbrandsllc.com/shop/assisted-opening-c-22_27.html) Aug. 9, 2013.\*

\* cited by examiner

*Primary Examiner* — Philip S. Hyder  
*Assistant Examiner* — Roselynn Cody  
(74) *Attorney, Agent, or Firm* — Luedeka Neely Group, PC

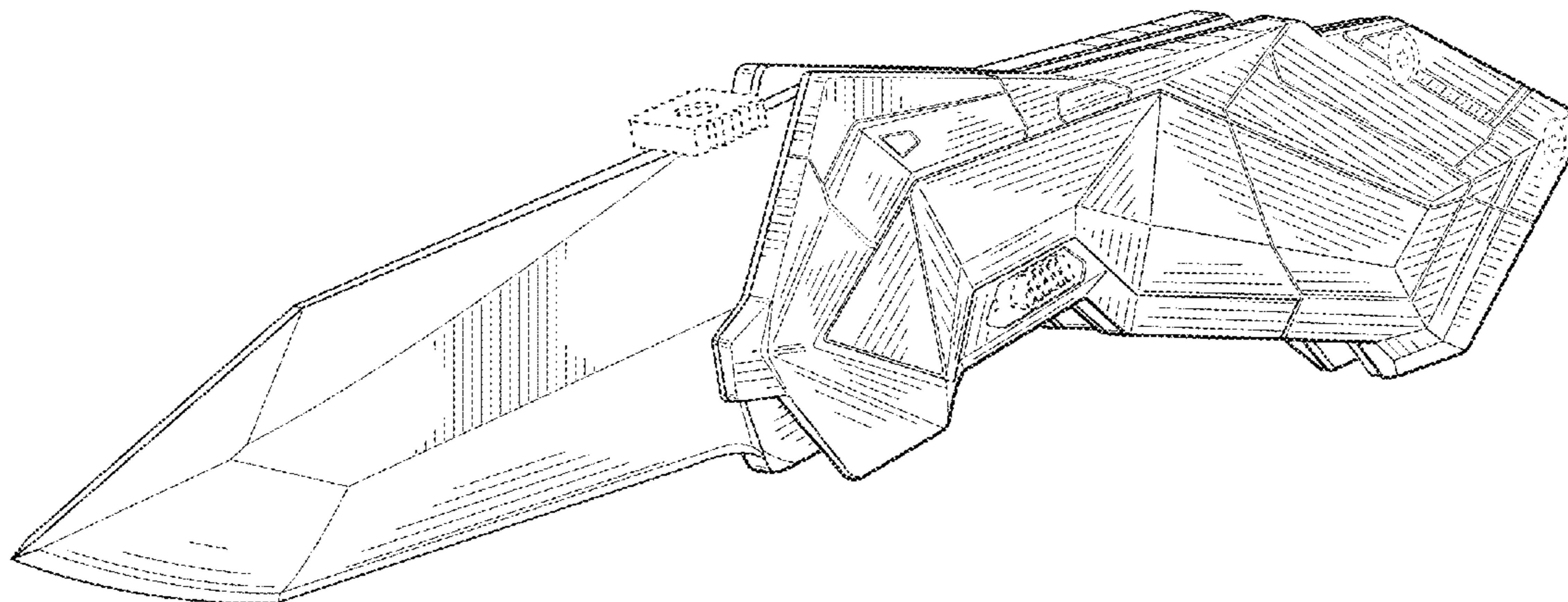
(57) **CLAIM**  
The ornamental design for a knife, as shown and described.

(56) **References Cited**  
**U.S. PATENT DOCUMENTS**  
D454,611 S \* 3/2002 Veltz et al. .... D22/118  
D482,257 S 11/2003 Taylor et al.  
D482,258 S 11/2003 Taylor et al.  
D505,057 S 5/2005 Ralph  
D512,624 S 12/2005 Taylor et al.  
D539,631 S 4/2007 Taylor  
D554,964 S 11/2007 Taylor  
D561,295 S 2/2008 Taylor  
D561,296 S \* 2/2008 Frank ..... D22/118  
D561,554 S 2/2008 Taylor  
D562,102 S 2/2008 Pearman  
D562,932 S 2/2008 Taylor

**DESCRIPTION**

FIG. 1 is a perspective view of a knife of my new design; FIG. 2 is a left side elevation view of the knife of FIG. 1; FIG. 3 is a right side elevation view of the knife of FIG. 1; FIG. 4 is a top plan view of the knife of FIG. 1; FIG. 5 is a bottom plan view of the knife of FIG. 1; FIG. 6 is a front end view of the knife of FIG. 1; and, FIG. 7 is a rear end view of the knife of FIG. 1. The broken lines in the drawings are included for the purpose of illustrating unclaimed features and form no part of the claimed design.

**1 Claim, 7 Drawing Sheets**



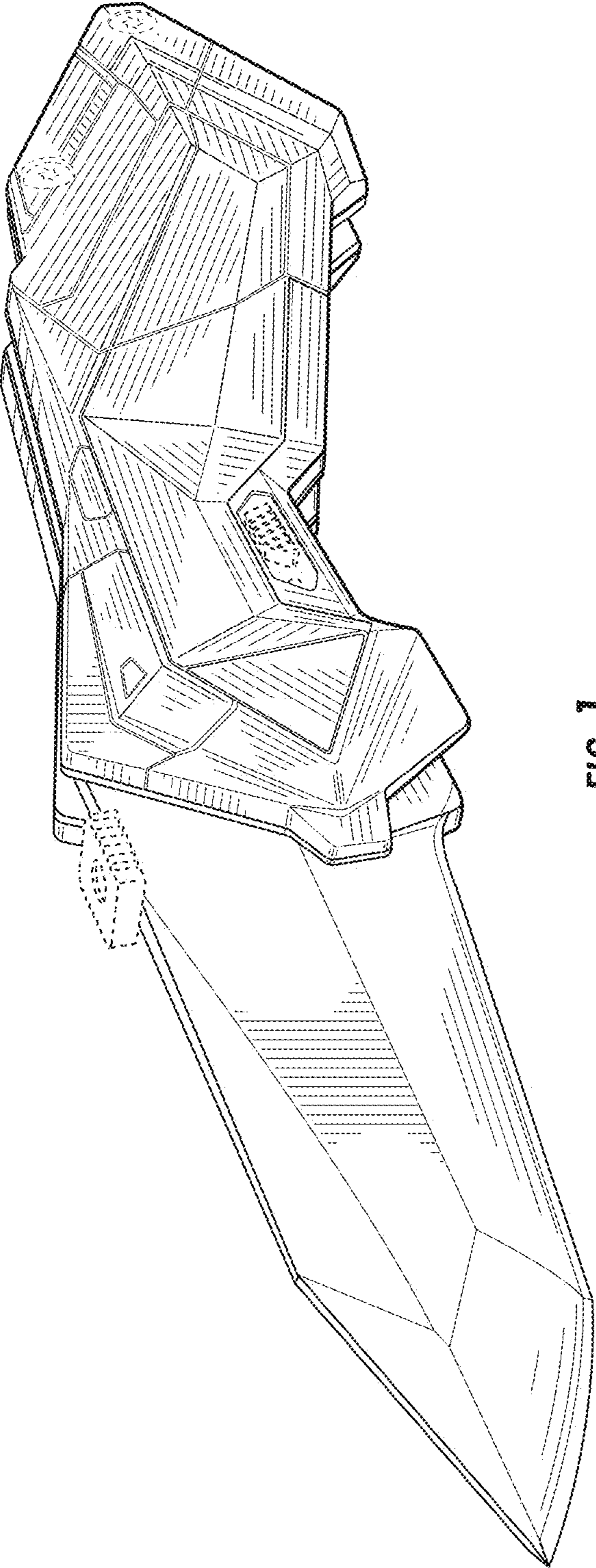


FIG. 1

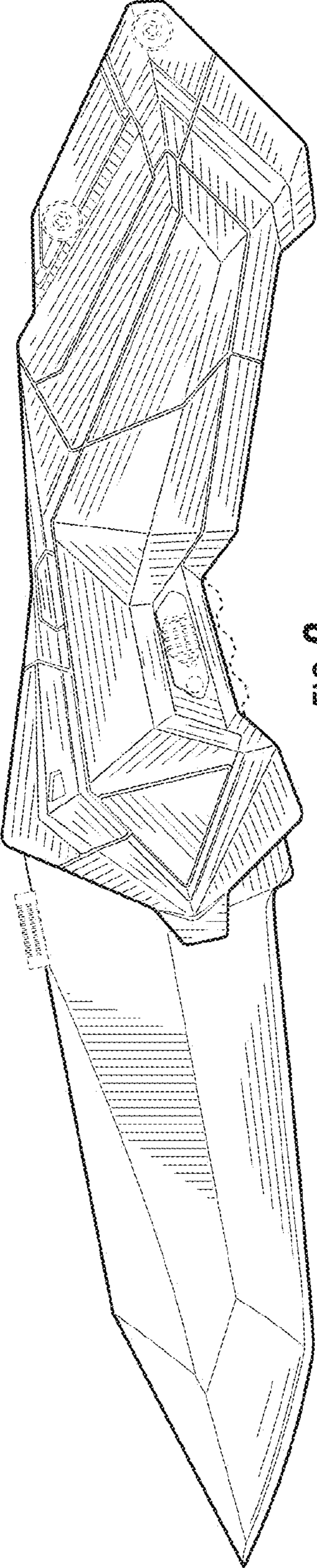


FIG. 2

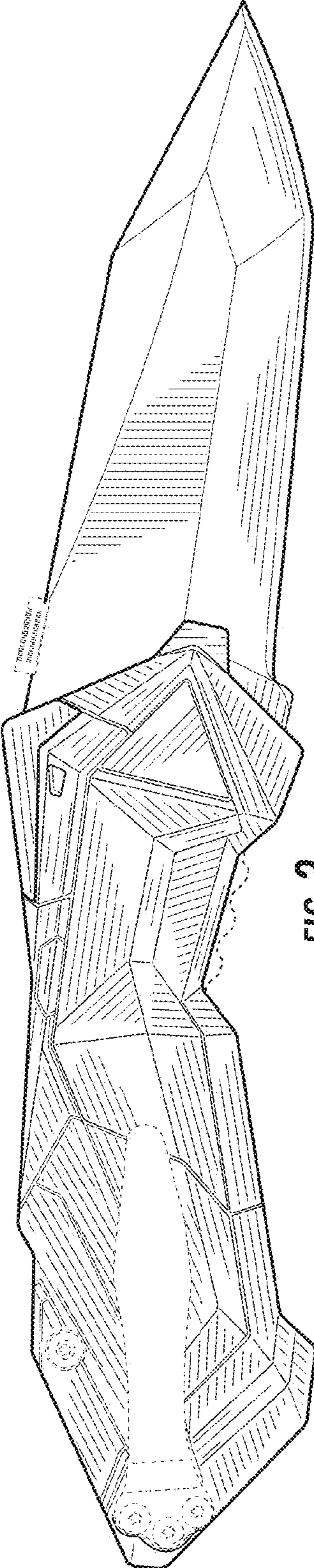


FIG. 3

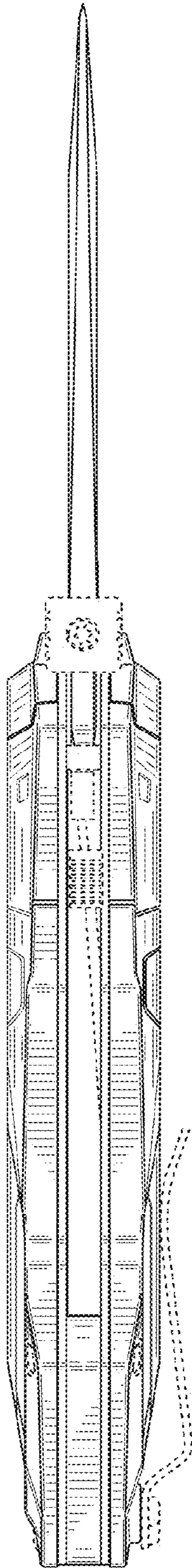


FIG. 4

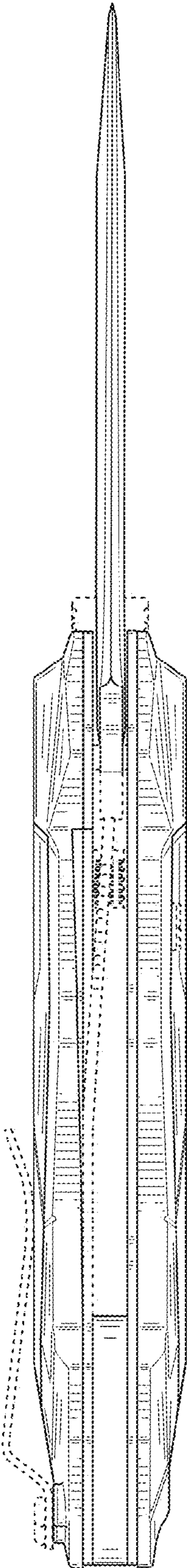


FIG. 5

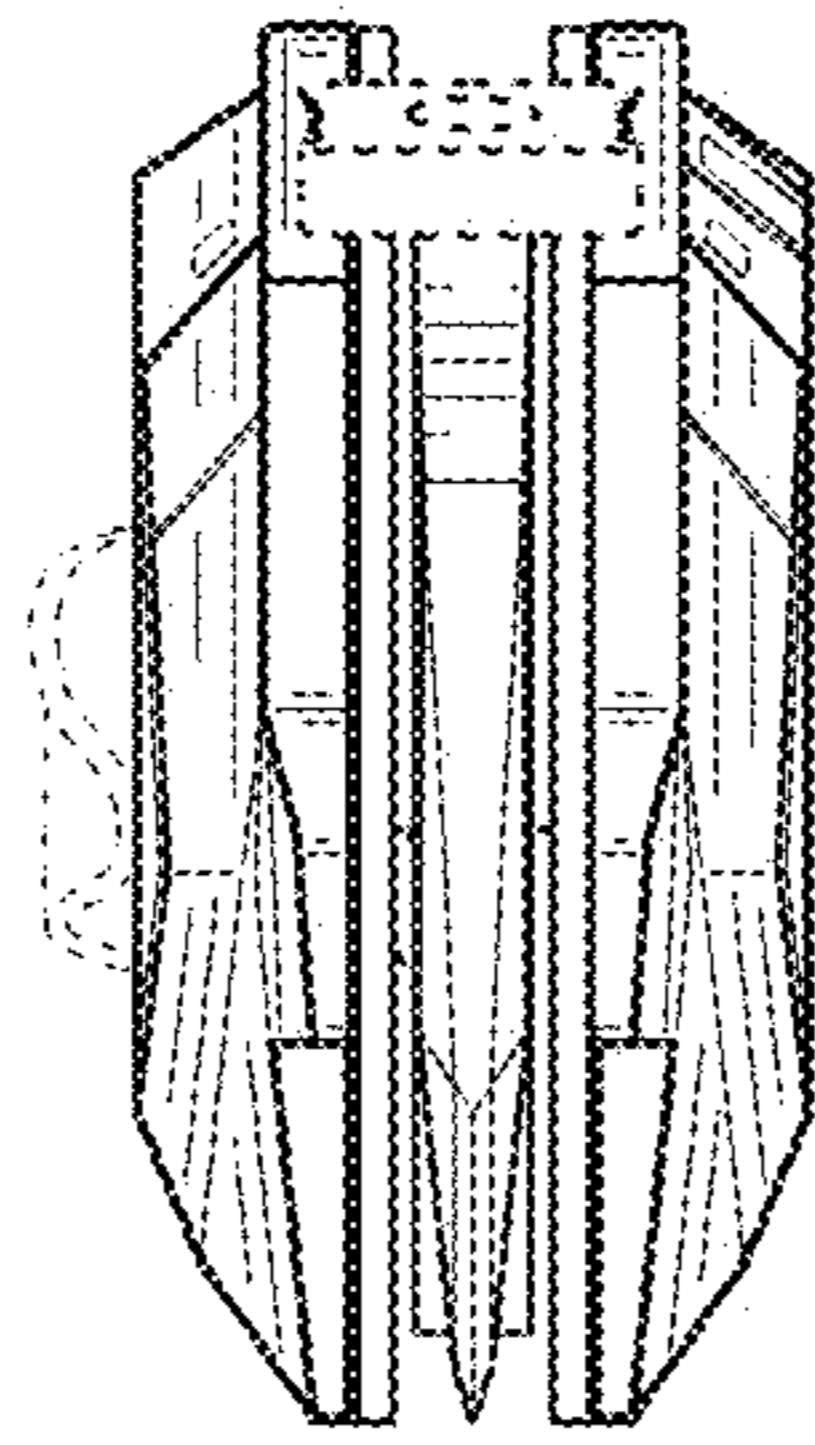
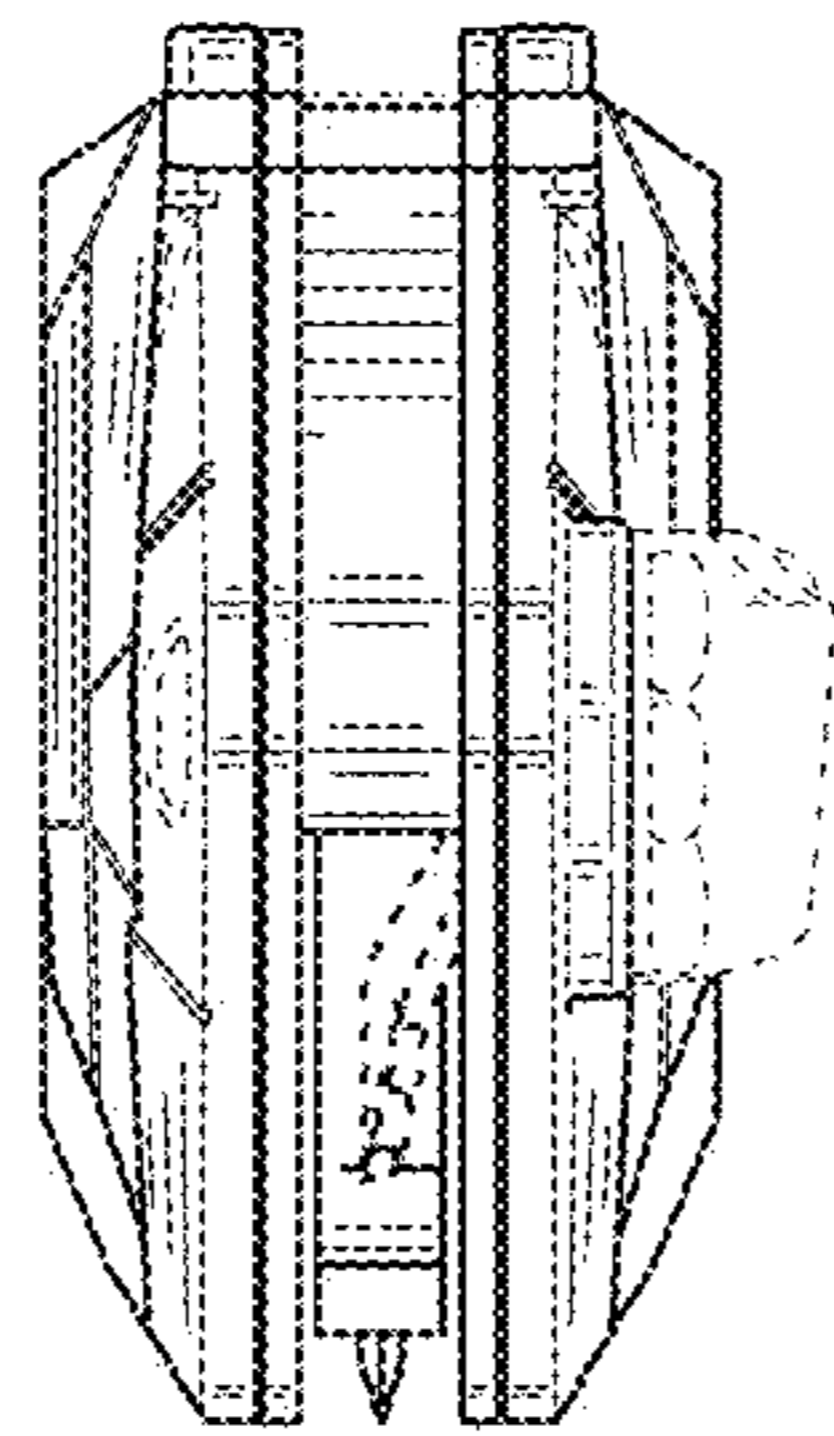


FIG. 6



**FIG. 7**