



US00D706604S

(12) **United States Design Patent**
Chen

(10) **Patent No.:** **US D706,604 S**
(45) **Date of Patent:** **** Jun. 10, 2014**

(54) **CLAMPING MEMBER OF LOADING AND UNLOADING DEVICE SUITABLE FOR VARIOUS PIPES**

6,289,754	B1 *	9/2001	Doege et al.	74/437
D451,526	S *	12/2001	Lee	D15/148
6,644,947	B2 *	11/2003	Cavanaugh	74/462
D527,738	S *	9/2006	Pearson, Sr.	D15/5
D534,416	S *	1/2007	Kelleghan	D8/356
7,975,835	B2 *	7/2011	Pax	198/750.1

(71) Applicant: **Bing-Sheng Chen**, Taichung (TW)

(72) Inventor: **Bing-Sheng Chen**, Taichung (TW)

(**) Term: **14 Years**

(21) Appl. No.: **29/464,341**

(22) Filed: **Aug. 15, 2013**

(51) **LOC (10) Cl.** **08-05**

(52) **U.S. Cl.**
USPC **D8/72**

(58) **Field of Classification Search**
USPC D8/71-74, 394, 59; 248/72, 689, 124.2;
81/487; 269/3, 4, 6, 143, 165, 240,
269/243, 246-249, 254 R, 147-149; 29/256,
29/257, 276; 408/103, 104-109; 74/437;
D12/42; D16/136; D15/148, 5
See application file for complete search history.

(56) **References Cited**

U.S. PATENT DOCUMENTS

2,842,977	A *	7/1958	Stibitz	74/437
3,585,874	A *	6/1971	Ingham	74/333
4,036,073	A *	7/1977	Kitano	74/437
D296,900	S *	7/1988	Randolph	D15/148
4,756,203	A *	7/1988	Matsuda	74/437
D372,692	S *	8/1996	Thomason	D12/123
5,545,871	A *	8/1996	Carr	700/162

* cited by examiner

Primary Examiner — David Muller

(74) *Attorney, Agent, or Firm* — Muncy, Geissler, Olds & Lowe, P.C.

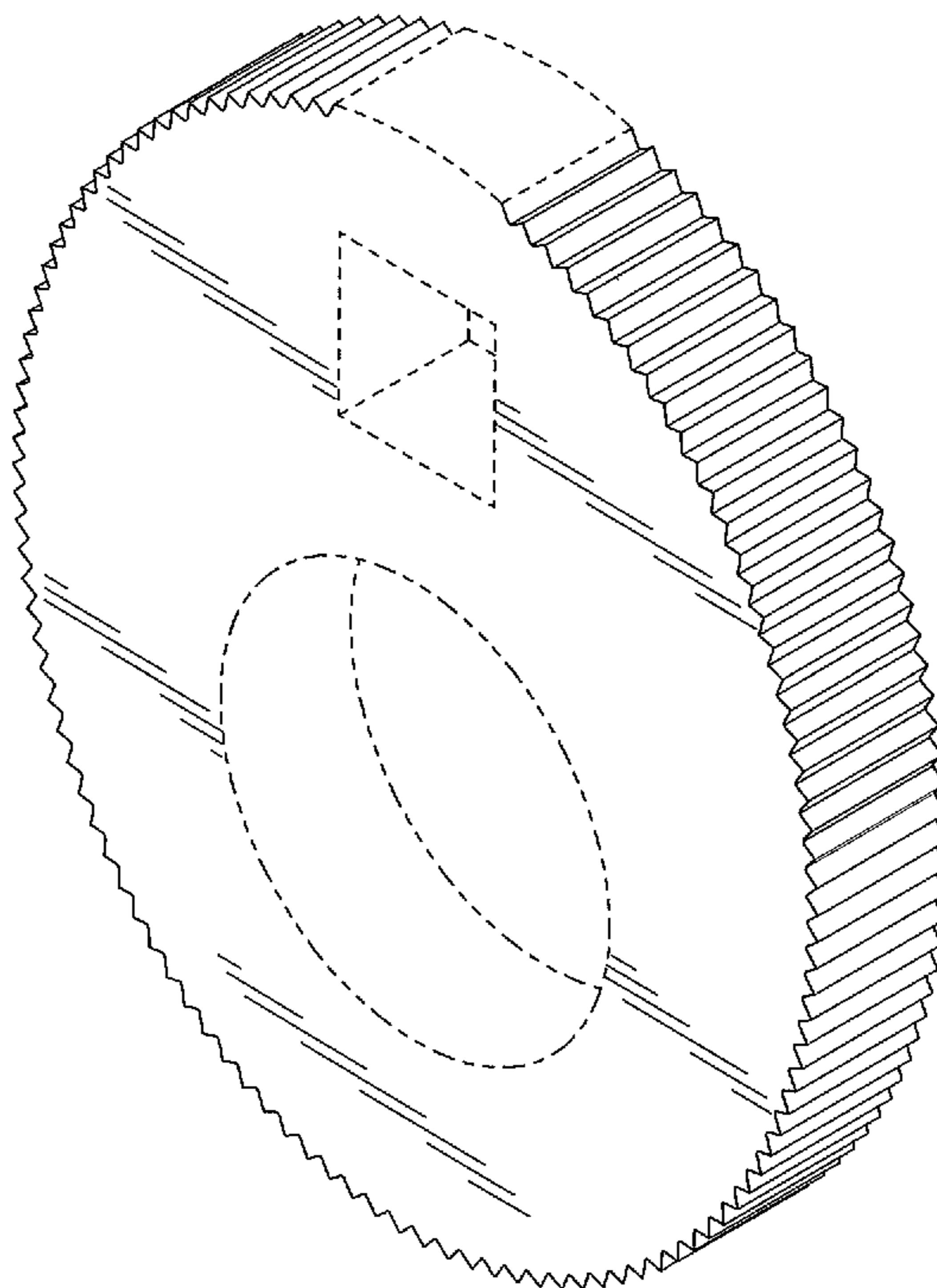
(57) **CLAIM**

I claim the ornamental design for a clamping member of loading and unloading device suitable for various pipes, as shown and described.

DESCRIPTION

FIG. 1 is a perspective view of a clamping member of loading and unloading device suitable for various pipes showing my new design;
FIG. 2 is a front view thereof; the rear being a mirror image;
FIG. 3 is a left view thereof;
FIG. 4 is a right view thereof;
FIG. 5 is a top plan view thereof;
FIG. 6 is a bottom plan view thereof; and,
FIG. 7 is a partial enlarged view of FIG. 2.
The portions shown in broken lines are for the purpose of illustrating environmental structure only and form no part of the claimed design.

1 Claim, 5 Drawing Sheets



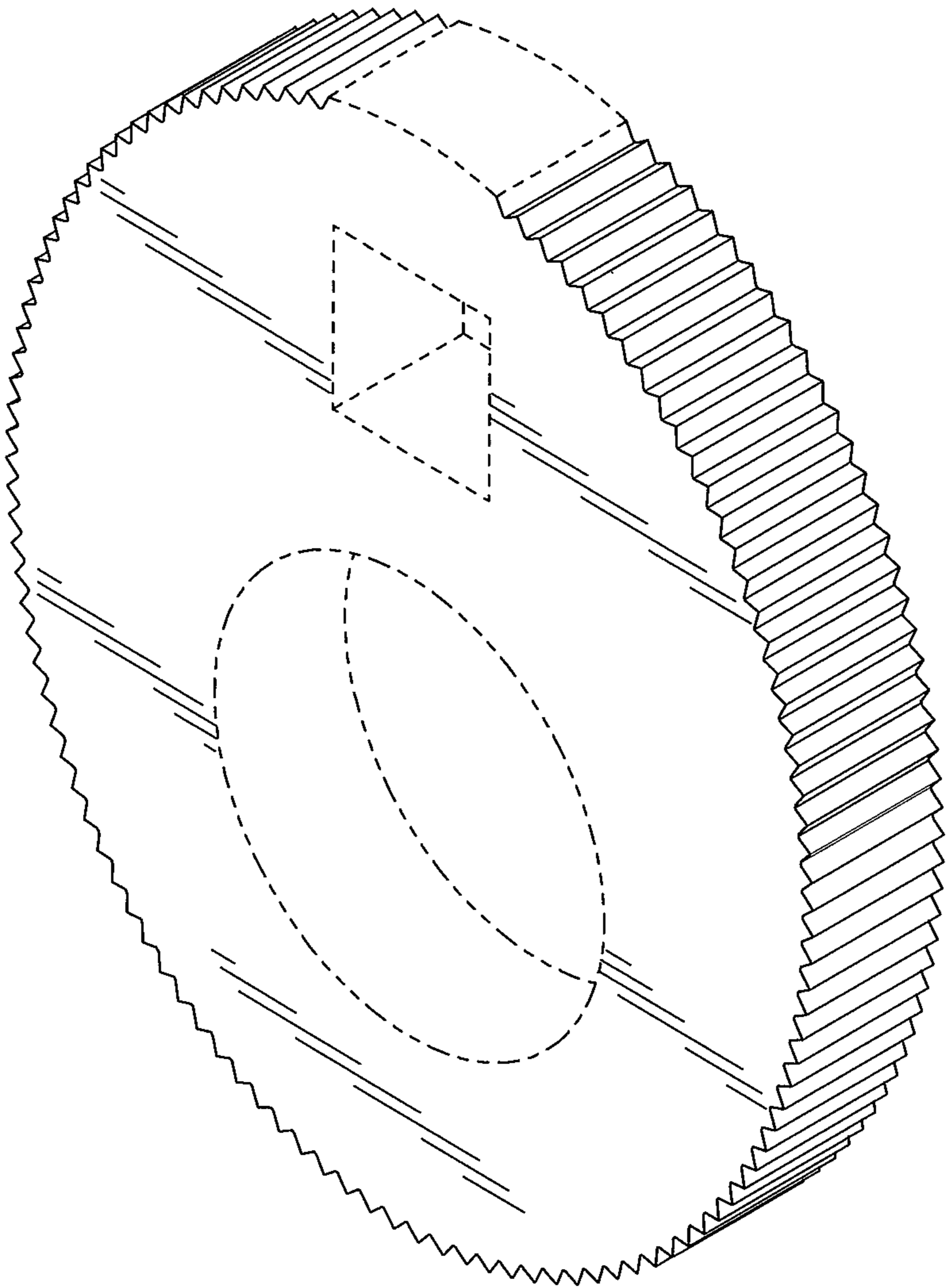


FIG. 1

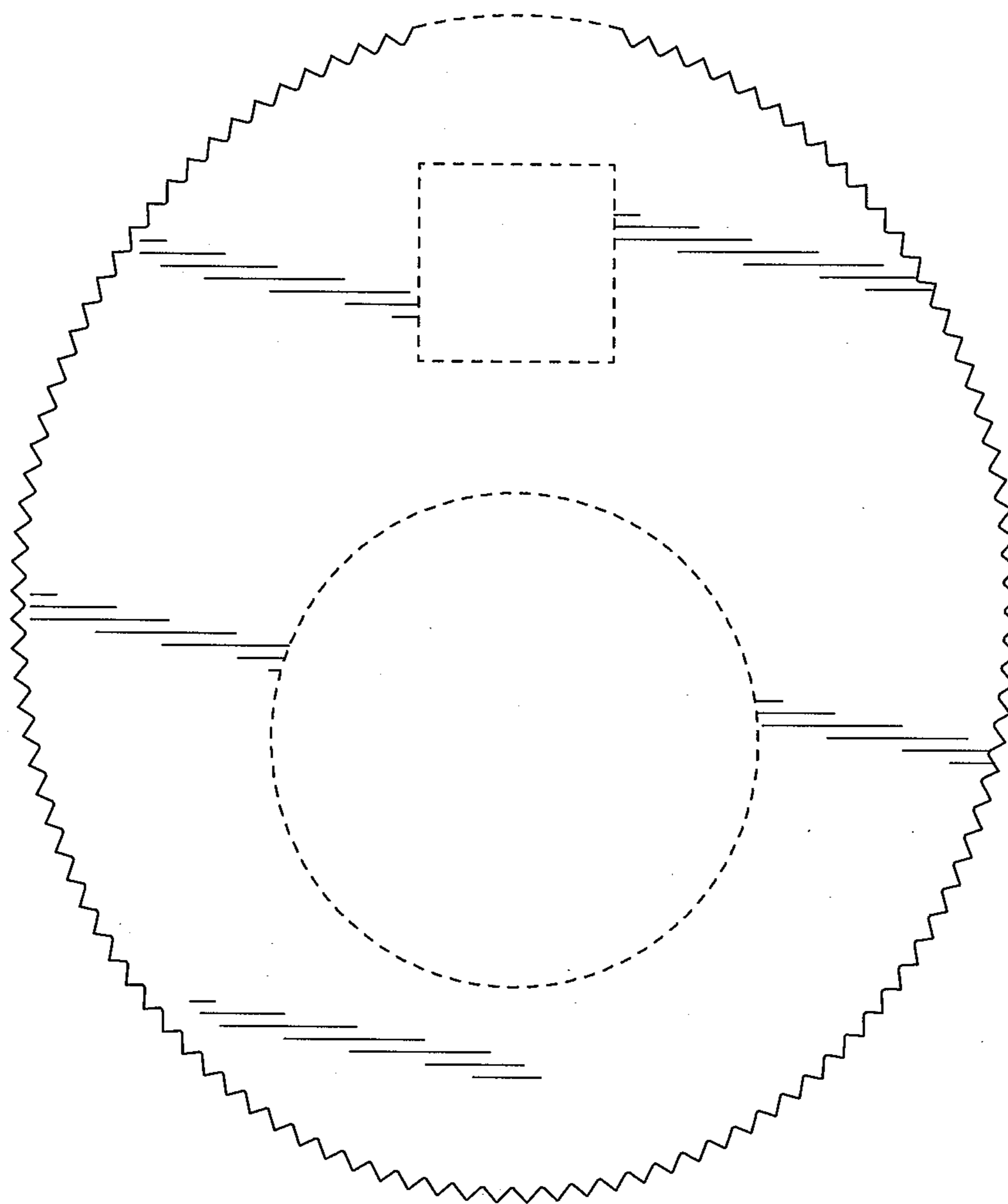


FIG. 2

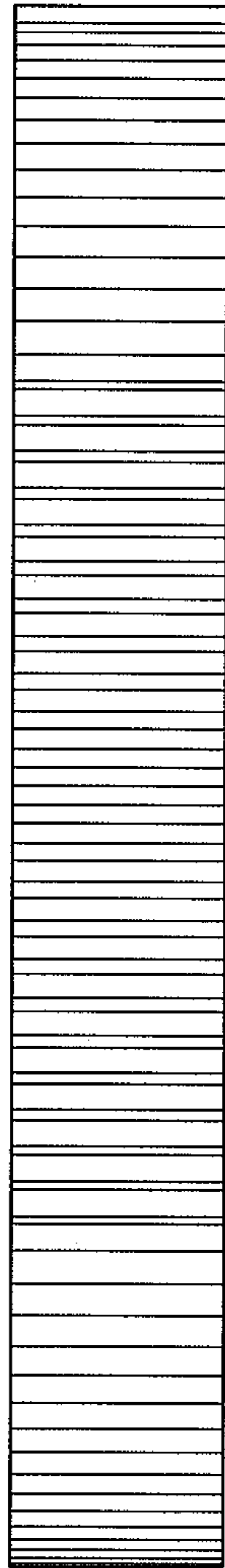


FIG. 3

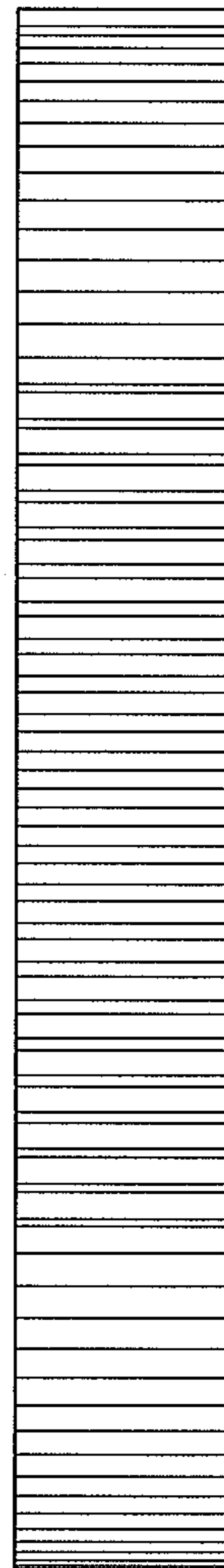


FIG. 4



FIG. 5

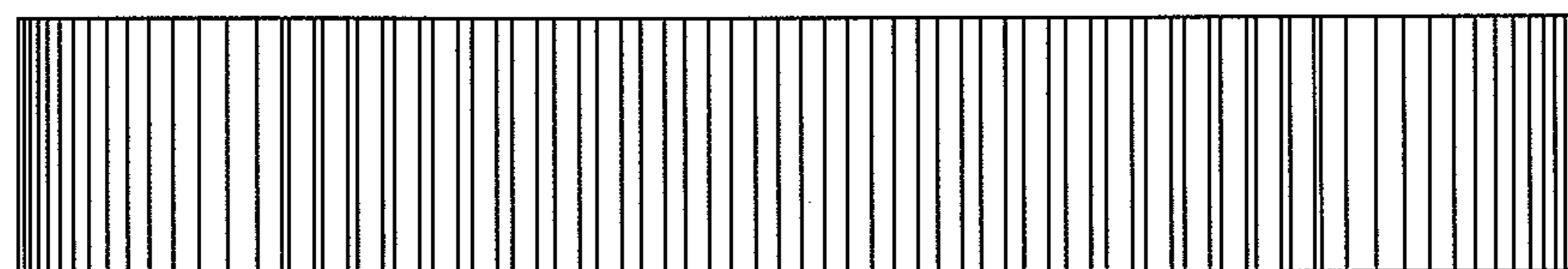


FIG. 6

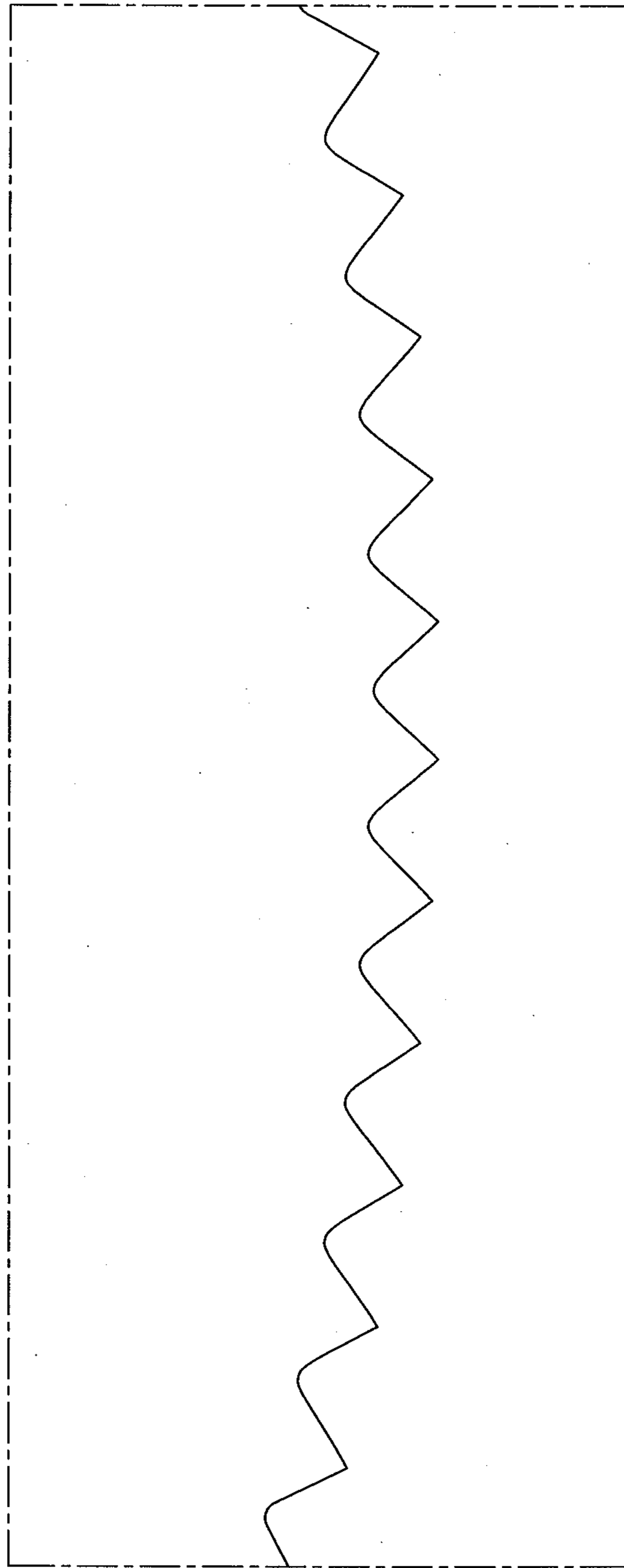


FIG. 7