



US00D706603S

(12) **United States Design Patent**  
**Kokawa et al.**

(10) **Patent No.:** **US D706,603 S**  
(45) **Date of Patent:** **\*\* Jun. 10, 2014**

(54) **GUARD FOR PORTABLE ELECTRIC  
HAMMER DRILL**

(71) Applicant: **Makita Corporation**, Anjo (JP)

(72) Inventors: **Kiyozumi Kokawa**, Anjo (JP); **Shinsuke Okuda**, Anjo (JP)

(73) Assignee: **Makita Corporation**, Anjo-shi (JP)

(\*\*) Term: **14 Years**

(21) Appl. No.: **29/465,204**

(22) Filed: **Aug. 26, 2013**

(30) **Foreign Application Priority Data**

Apr. 16, 2013 (JP) ..... 2013-008498

(51) **LOC (10) Cl.** ..... **08-03**

(52) **U.S. Cl.**  
USPC ..... **D8/69; D8/16**

(58) **Field of Classification Search**  
USPC ..... D8/14.1, 16, 61-70, 330, 331, 333, 346,  
D8/349, 352, 353, 354, 356, 371, 382,  
D8/383; 81/429, 454-456, 469, 489;  
173/104, 114, 168-171, 178, 201, 211,  
173/213, 217; 408/20, 124, 125, 234;  
388/809; D2/865, 871, 873, 877, 880,  
D2/881, 891; D3/207, 211; D6/309;  
D23/227, 262

See application file for complete search history.

(56) **References Cited**

**U.S. PATENT DOCUMENTS**

D257,949 S \* 1/1981 Strom ..... D8/396  
D273,272 S \* 4/1984 Roeser ..... D8/367

(Continued)

**OTHER PUBLICATIONS**

“Product Information: 45MM SDS-MAX AVT Rotary Hammer”.  
Makita.com., Dec. 23, 2010 [online], [retrieved on Mar. 14, 2014].  
Retrieved from the Internet <URL: [http://www.makita.com/Productinfo/temp/productinfo\\_HR4511C.pdf](http://www.makita.com/Productinfo/temp/productinfo_HR4511C.pdf)>.\*

(Continued)

*Primary Examiner* — Philip S Hyder

*Assistant Examiner* — Darlington Ly

(74) *Attorney, Agent, or Firm* — Global IP Counselors, LLP

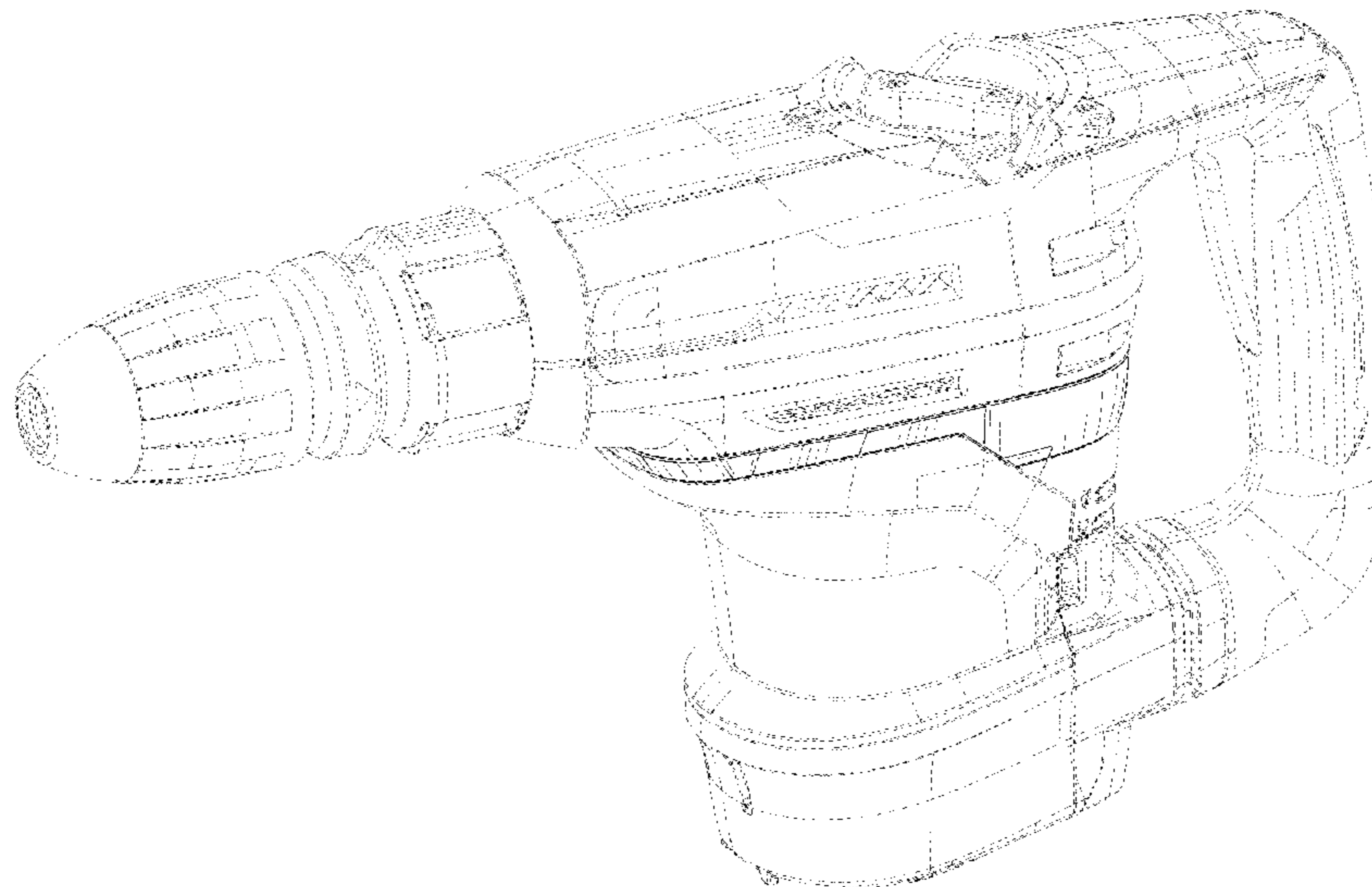
(57) **CLAIM**

The ornamental design for a guard for a portable electric hammer drill, as shown and described.

**DESCRIPTION**

FIG. 1 is a front perspective view of a guard for a portable electric hammer drill in accordance with our new design; FIG. 2 is a rear perspective view of the guard for a portable electric hammer drill in accordance with our new design; FIG. 3 is a front elevational view of the guard for a portable electric hammer drill in accordance with our new design; FIG. 4 is a rear elevational view of the guard for a portable electric hammer drill in accordance with our new design; FIG. 5 is a top plan view of the guard for a portable electric hammer drill in accordance with our new design; FIG. 6 is a bottom plan view of the guard for a portable electric hammer drill in accordance with our new design; FIG. 7 is a right side elevational view of the guard for a portable electric hammer drill in accordance with our new design; and, FIG. 8 is a left side elevational view of the guard for a portable electric hammer drill in accordance with our new design. The broken line showing of environment forms no part of the claimed design.

**1 Claim, 7 Drawing Sheets**



(56)

**References Cited**

U.S. PATENT DOCUMENTS

D284,834 S \* 7/1986 Hoffstrom ..... D8/394  
 D394,635 S \* 5/1998 Saunders ..... D12/400  
 5,946,734 A \* 9/1999 Vogan ..... 2/412  
 D419,281 S \* 1/2000 Croft ..... D2/891  
 D422,204 S \* 4/2000 Holloway et al. .... D8/396  
 D448,658 S \* 10/2001 Farina ..... D8/396  
 D474,665 S \* 5/2003 Taylor ..... D8/69  
 D484,783 S \* 1/2004 Woodhall ..... D8/395  
 D523,328 S \* 6/2006 Ramos ..... D8/382  
 D525,849 S \* 8/2006 Hayakawa et al. .... D8/69  
 D526,179 S \* 8/2006 Hayakawa et al. .... D8/69  
 D531,474 S \* 11/2006 Hayakawa et al. .... D8/69  
 D555,451 S \* 11/2007 Okuda et al. .... D8/69  
 D563,749 S \* 3/2008 Okuda et al. .... D8/69  
 D575,606 S \* 8/2008 Okouchi et al. .... D8/69  
 D587,547 S \* 3/2009 Aglassinger ..... D8/69  
 D615,386 S \* 5/2010 Hardin et al. .... D8/354

D664,017 S \* 7/2012 Carruth ..... D8/16  
 D687,279 S \* 8/2013 Kuhnle et al. .... D8/69  
 D690,191 S \* 9/2013 Takakuwa et al. .... D8/396  
 D690,192 S \* 9/2013 Takakuwa et al. .... D8/396  
 D699,097 S \* 2/2014 Chung et al. .... D8/354  
 2011/0008117 A1 \* 1/2011 Kasuya et al. .... 408/67

OTHER PUBLICATIONS

DeBoer, Clint. "Bosch RHH181 18V Compact Rotary Hammer Drill Preview!". Pro Tool Reviews., Jan. 16, 2013 [online], [retrieved on Mar. 14, 2014]. Retrieved from the Internet <URL: <http://www.protoolreviews.com/tools/bosch-rhh181-rotary-hammer/4162>>.\*  
 MrToolsandtools. "Bosch GBH 8-45 DV Professional". YouTube.com., Apr. 22, 2012 [online], [retrieved on Mar. 14, 2014]. Retrieved from the Internet <URL: <https://www.youtube.com/watch?v=Unldm73WIZk>>.\*  
 Makita 2013 General Catalogue; Rotary Hammer FR4510C.

\* cited by examiner

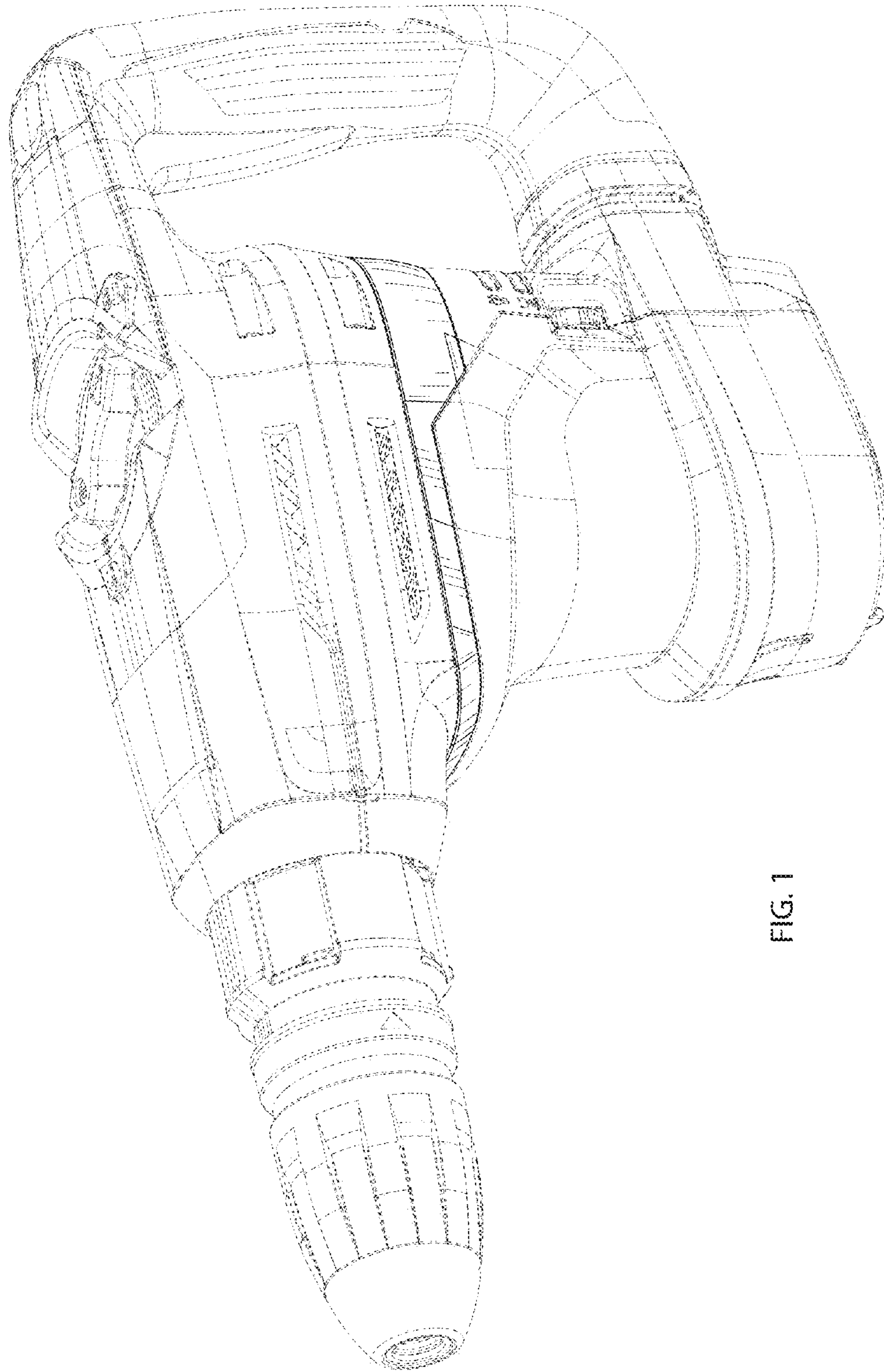


FIG. 1

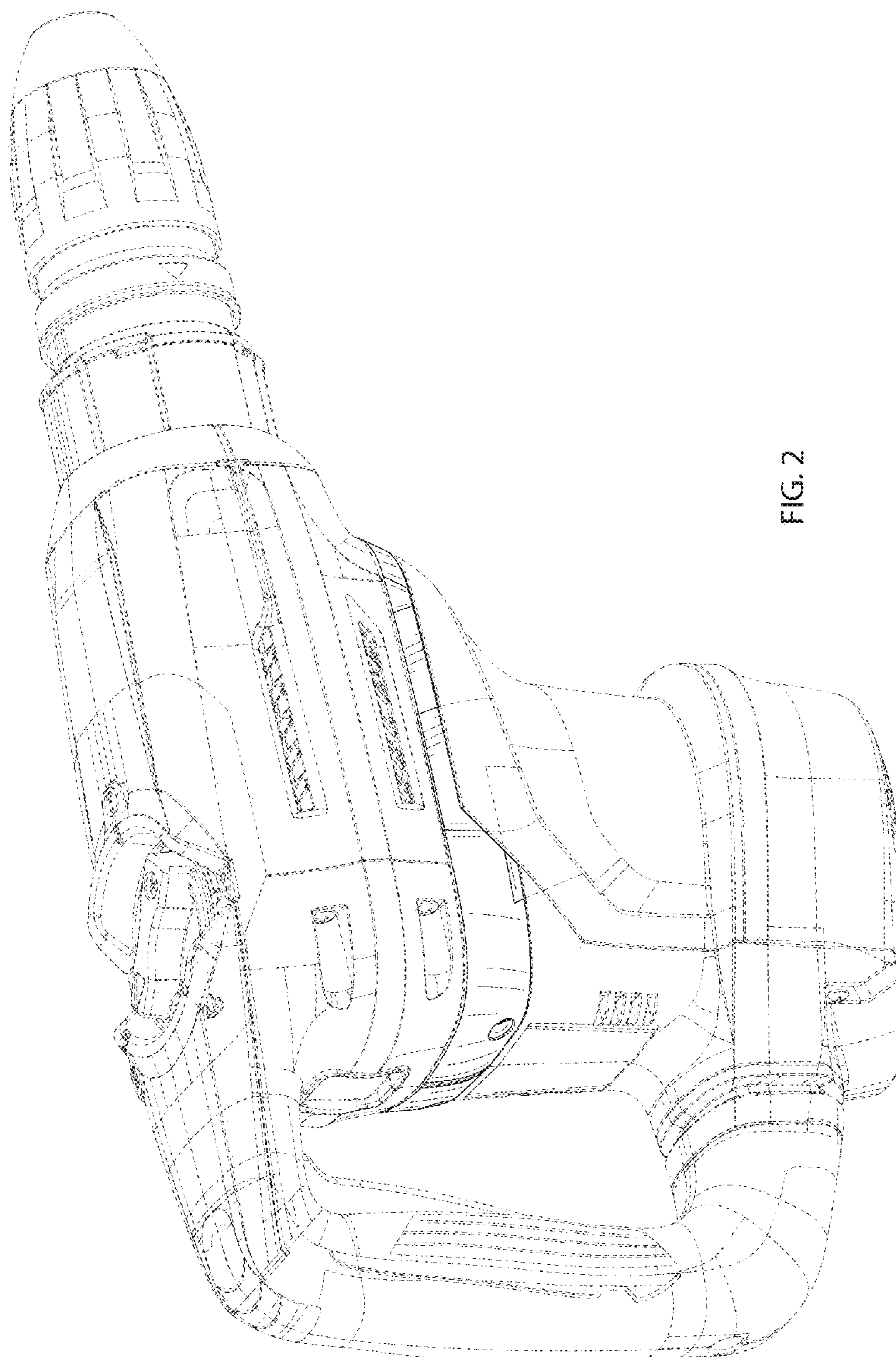


FIG. 2

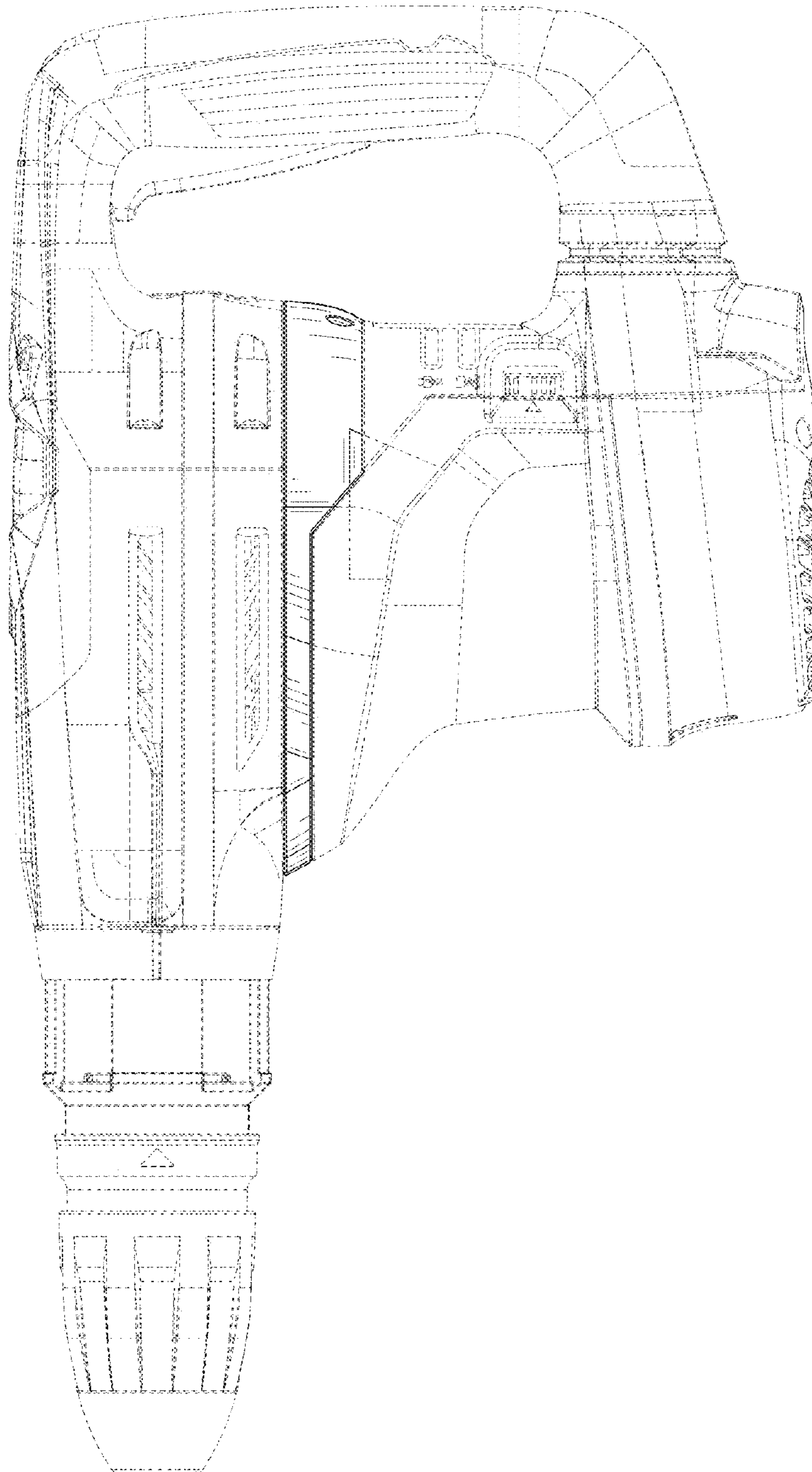


FIG. 3

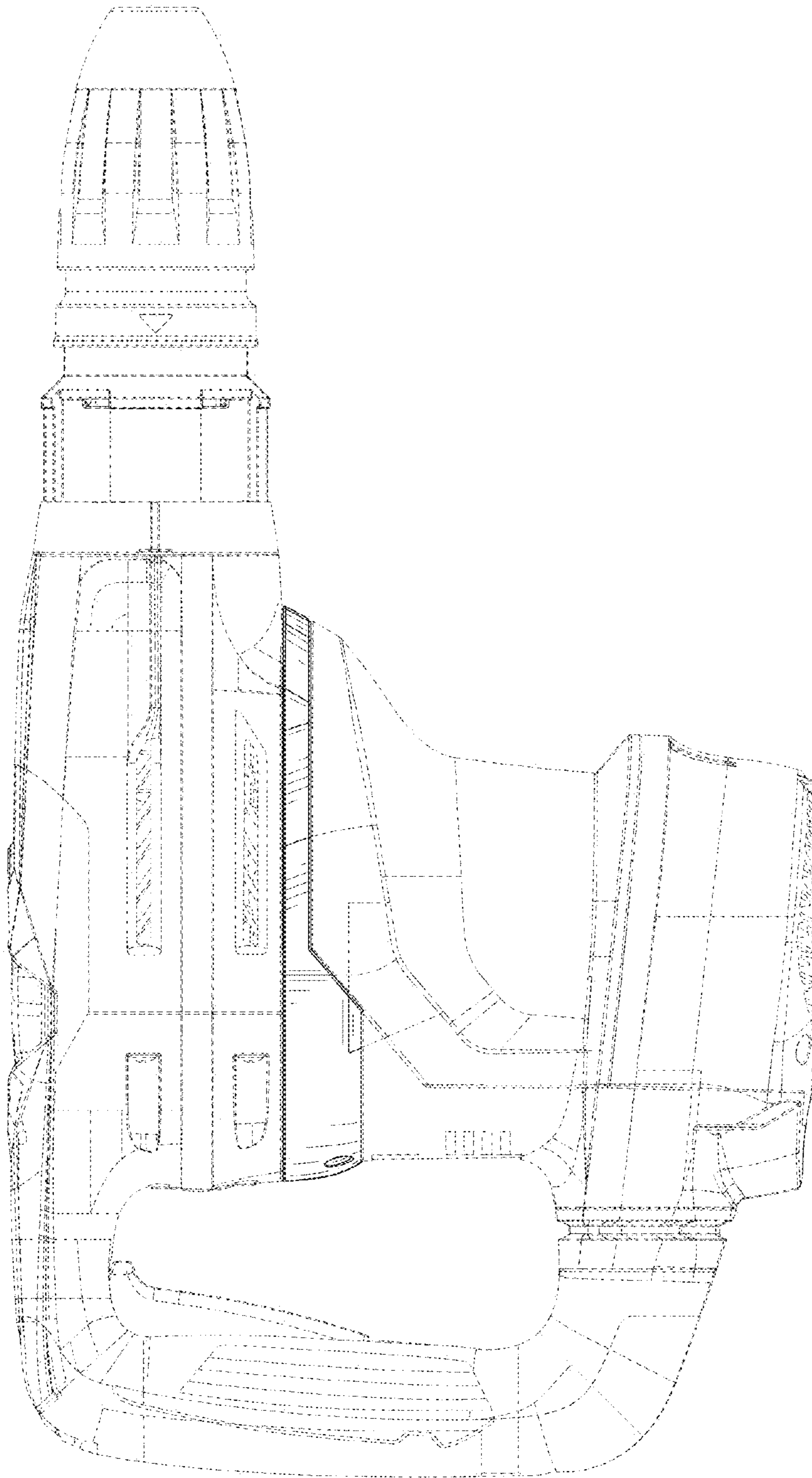


FIG. 4

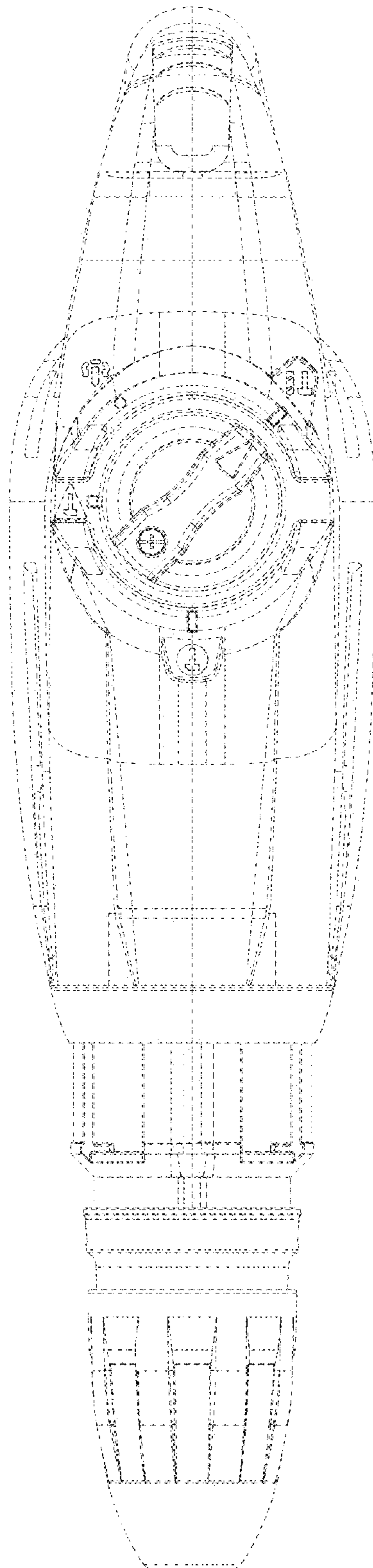


FIG. 5

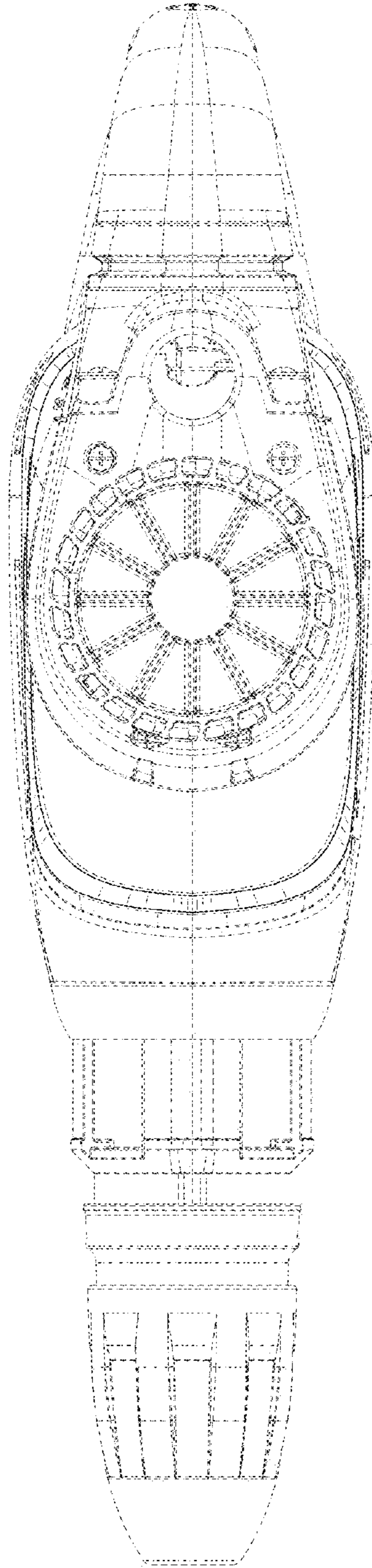


FIG. 6



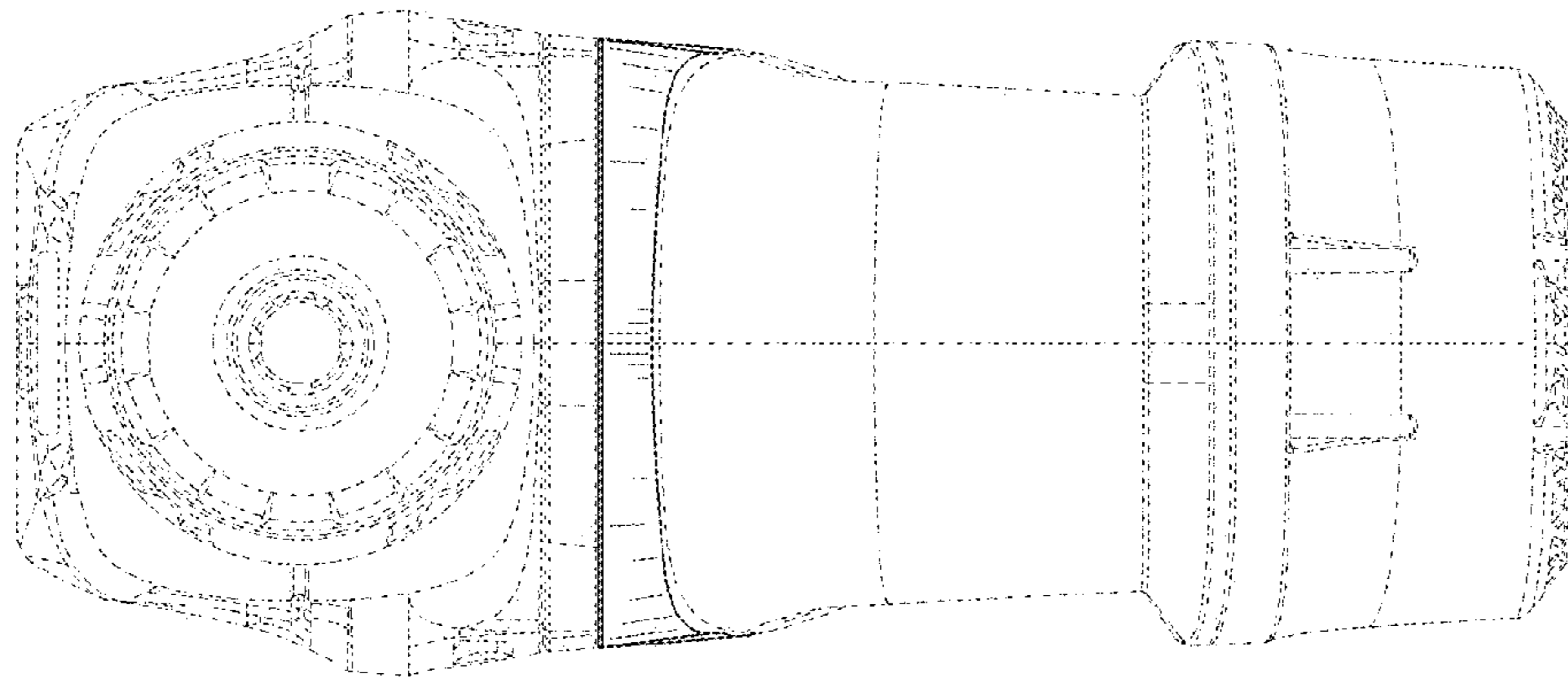


FIG. 8

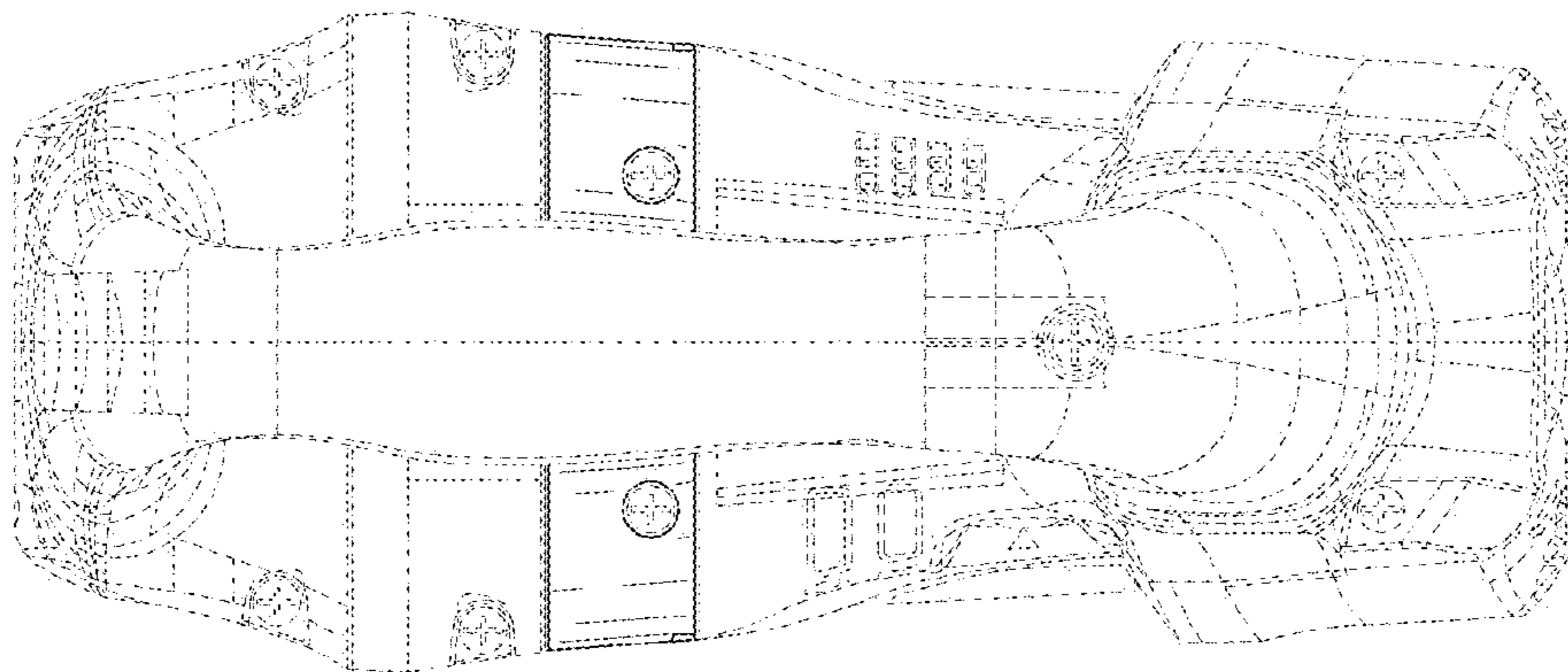


FIG. 7