



US00D706602S

(12) **United States Design Patent**
Frenken

(10) **Patent No.:** **US D706,602 S**
(45) **Date of Patent:** **** Jun. 10, 2014**

(54) **POWERED HAND-HELD TOOL**

- (71) Applicant: **Gustav Klauke GmbH**, Remscheid (DE)
- (72) Inventor: **Egbert Frenken**, Heinsberg (DE)
- (73) Assignee: **Gustav Klauke GmbH**, Remscheid (DE)
- (**) Term: **14 Years**
- (21) Appl. No.: **29/461,027**
- (22) Filed: **Jul. 17, 2013**

Related U.S. Application Data

- (62) Division of application No. 29/385,217, filed on Feb. 10, 2011, now Pat. No. Des. 694,604.

(30) **Foreign Application Priority Data**

Aug. 11, 2010 (EM) 001229405

(51) **LOC (10) Cl.** **08-04**

(52) **U.S. Cl.**
USPC **D8/61**

(58) **Field of Classification Search**
USPC D8/61, 62, 67, 69; 81/57, 57.11, 57.14,
81/57.26, 429, 464, 469; 173/2, 170, 176,
173/181

See application file for complete search history.

(56) **References Cited**

U.S. PATENT DOCUMENTS

- D332,038 S 12/1992 Meldrum
- D451,108 S * 11/2001 Hinch D15/132

(Continued)

OTHER PUBLICATIONS

Two (2) pages of drawings from the registered German Design Patent No. 402 08 110.2 dated Sep. 10, 2003.

(Continued)

Primary Examiner — Austin Murphy

(74) *Attorney, Agent, or Firm* — Klintworth and Rozenblat IP LLC

(57) **CLAIM**

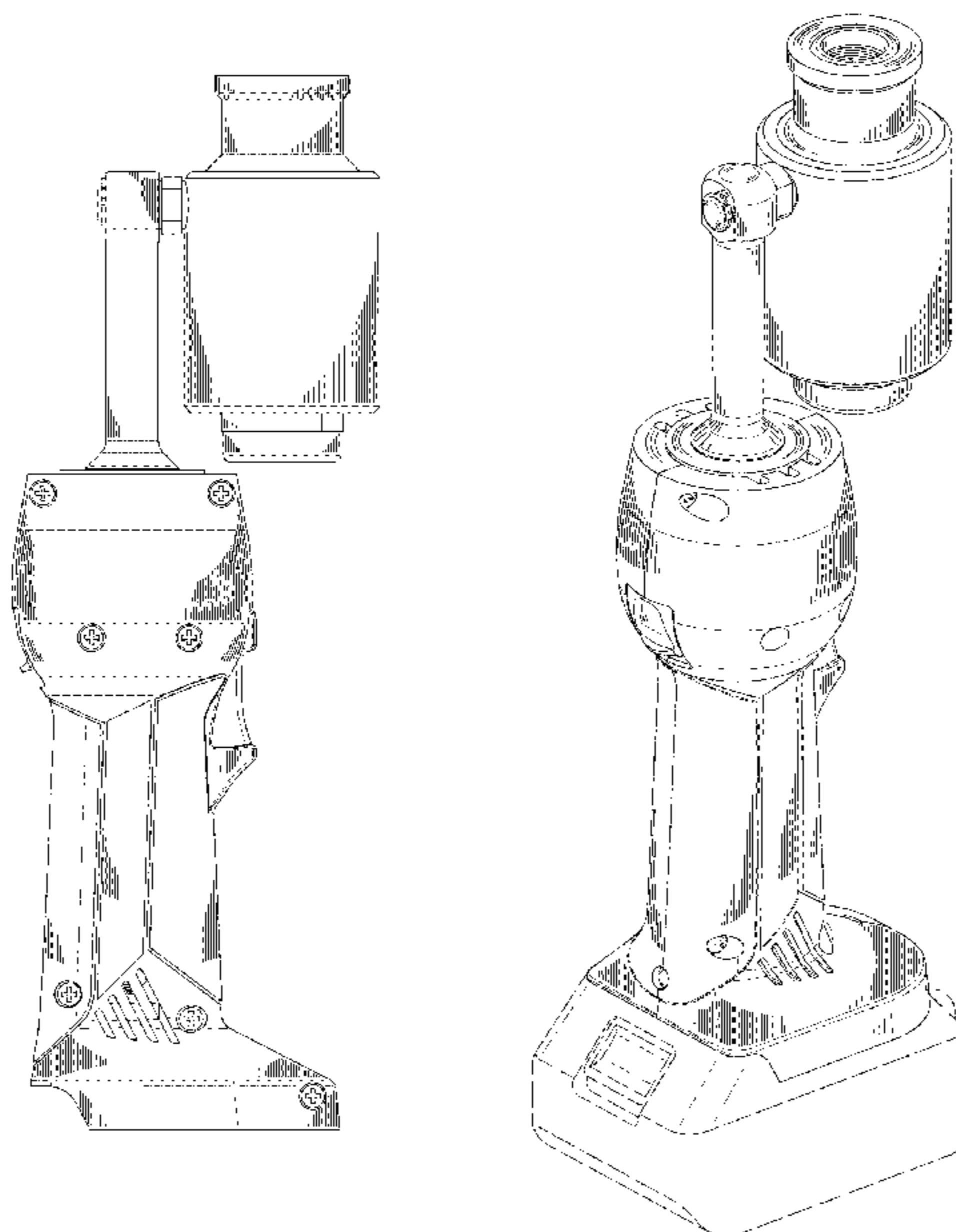
The ornamental design for a powered hand-held tool, as shown and described.

DESCRIPTION

FIG. 1 is a perspective view of the tool in accordance with a first embodiment;
 FIG. 2 is a right side elevational view of the tool of FIG. 1;
 FIG. 3 is a rear elevational view of the tool of FIG. 1;
 FIG. 4 is a left side elevational view of the tool of FIG. 1;
 FIG. 5 is a front elevational view of the tool of FIG. 1;
 FIG. 6 is a bottom plan right view of the tool of FIG. 1;
 FIG. 7 is a top plan right view of the tool of FIG. 1;
 FIG. 8 is a perspective view of the tool in accordance with a second embodiment;
 FIG. 9 is a right side elevational view of the tool of FIG. 8;
 FIG. 10 is a rear elevational view of the tool of FIG. 8;
 FIG. 11 is a left side elevational view of the tool of FIG. 8;
 FIG. 12 is a front elevational view of the tool of FIG. 8;
 FIG. 13 is a bottom plan right view of the tool of FIG. 8; and,
 FIG. 14 is a top plan right view of the tool of FIG. 8.

The broken lines shown in the drawings illustrate portions of the hand-held power tool and environmental structure that form no part of the claimed design.

1 Claim, 8 Drawing Sheets



(56)

References Cited

U.S. PATENT DOCUMENTS

D470,735 S * 2/2003 Heun D8/61
D472,442 S 4/2003 Morgan
D484,763 S * 1/2004 Sham et al. D8/64
D492,176 S 6/2004 Chen
D568,701 S 5/2008 Nasiell
D568,702 S 5/2008 Nasiell
7,421,877 B2 9/2008 Frenken
D588,892 S * 3/2009 Van Wambeke D8/64
D590,224 S 4/2009 Honsa
D639,629 S * 6/2011 Torigai et al. D8/61

D640,107 S 6/2011 Okuda
D649,421 S * 11/2011 Aglassinger D8/61
D670,988 S * 11/2012 Aglassinger D8/61
D694,604 S * 12/2013 Frenken D8/61
2009/0008118 A1 1/2009 Frenken

OTHER PUBLICATIONS

Seventeen (17) pages of an Instruction Manual of Greenlee Textron Inc. showing a hydraulic punch driver tool in German and English; Dated at least as early as Aug. 11, 2010.

* cited by examiner

Fig. 1

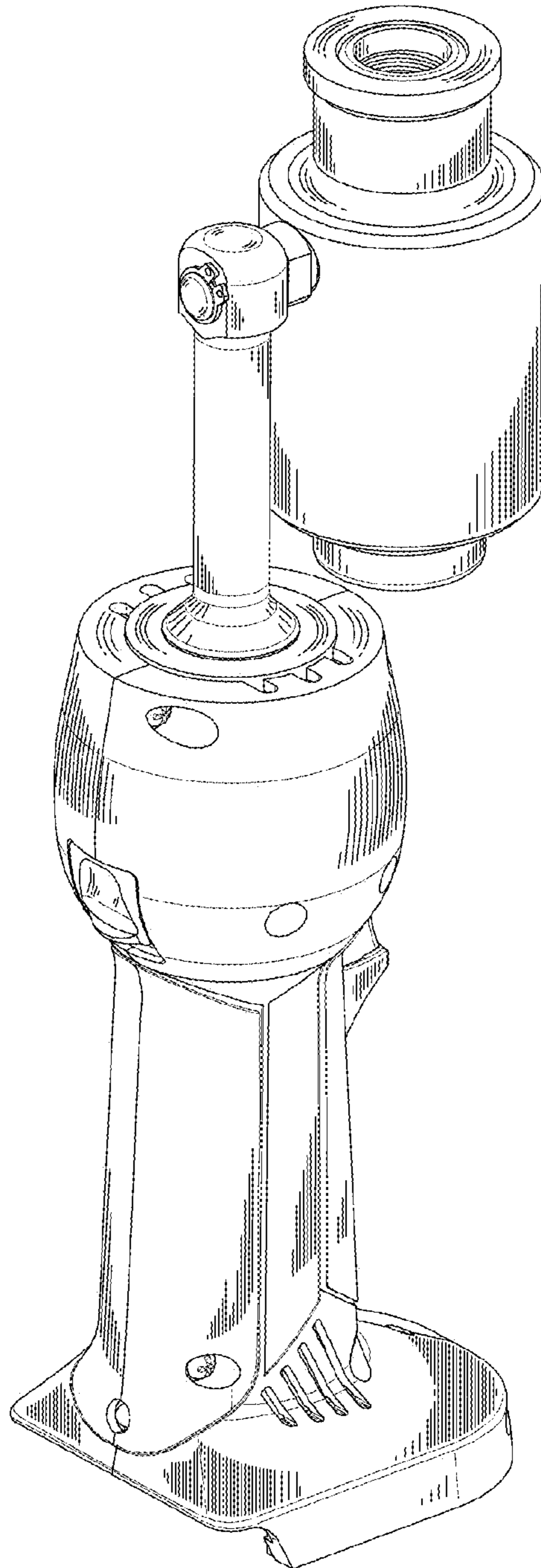


Fig. 2

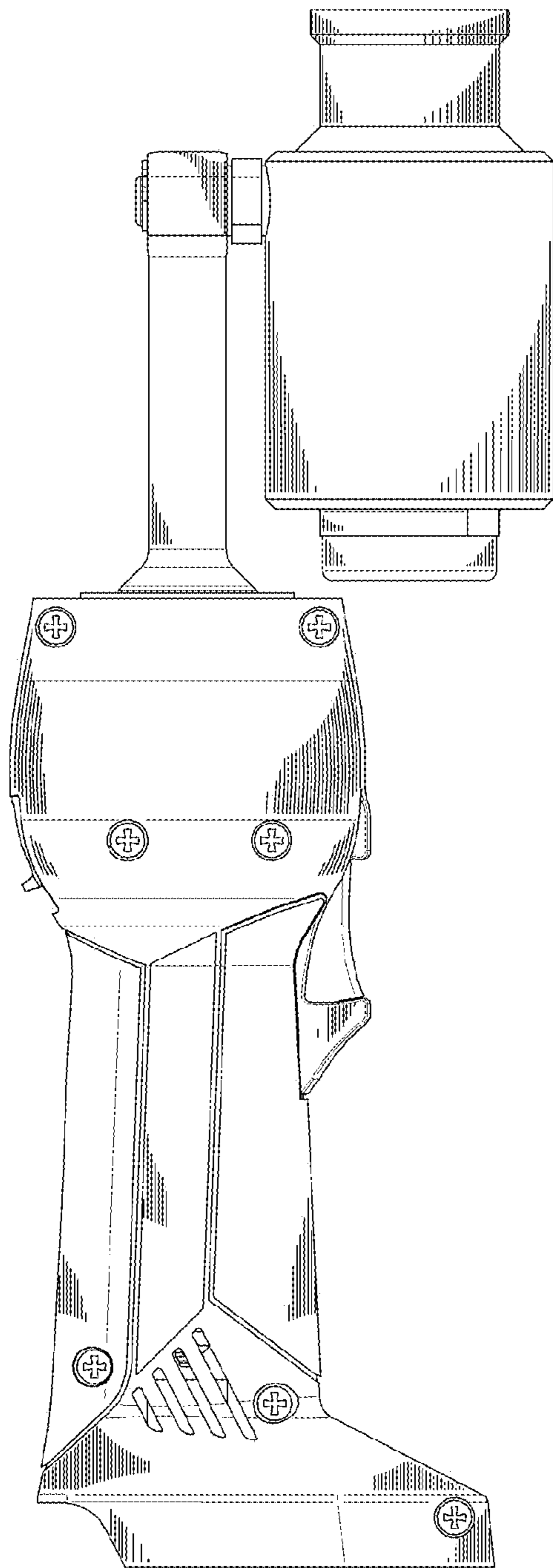


Fig. 3

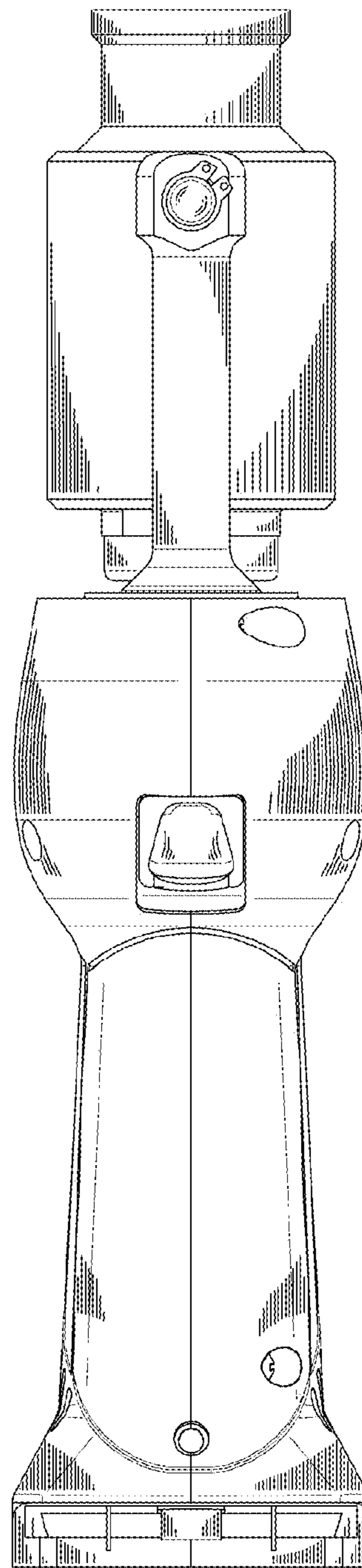


Fig. 4

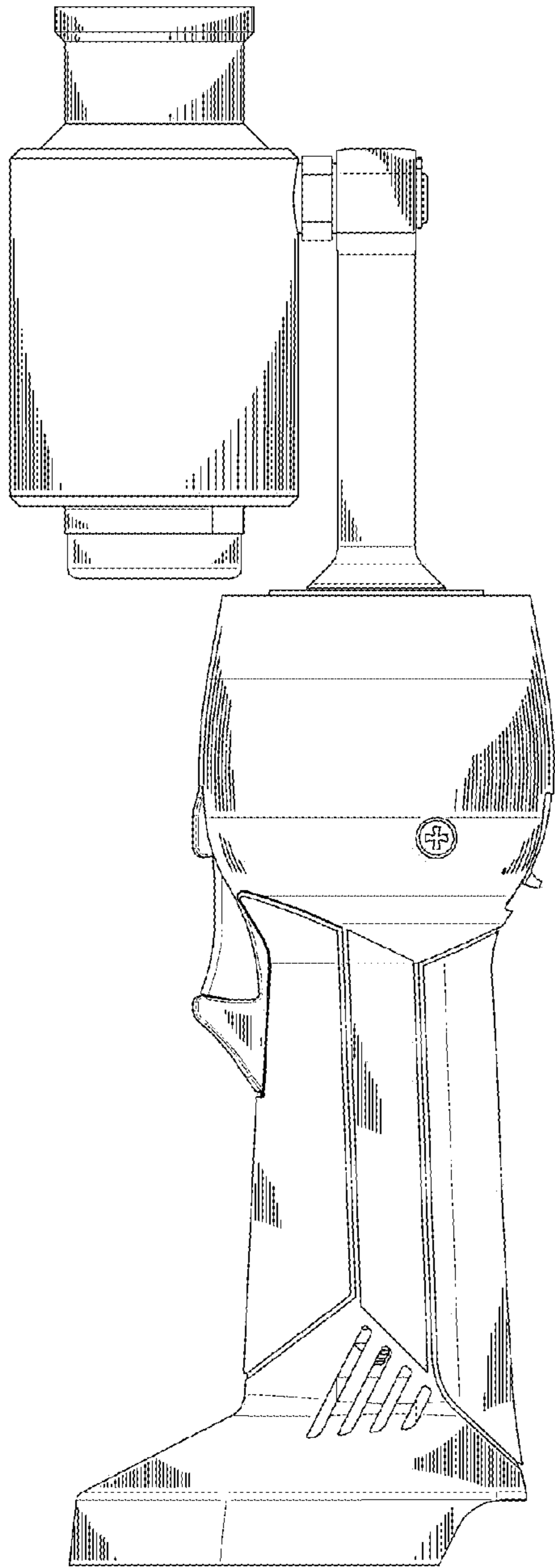


Fig. 5

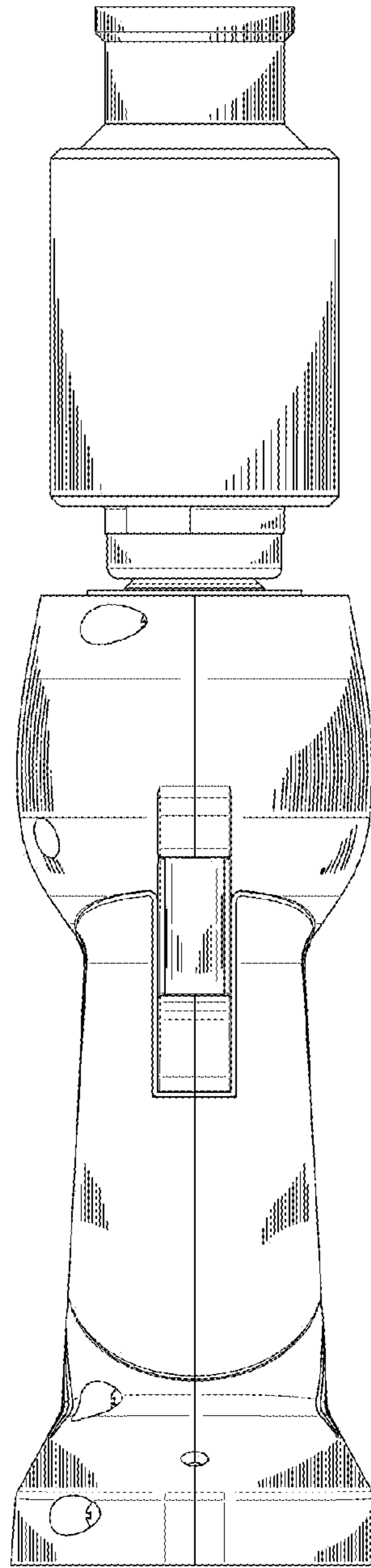


Fig. 6

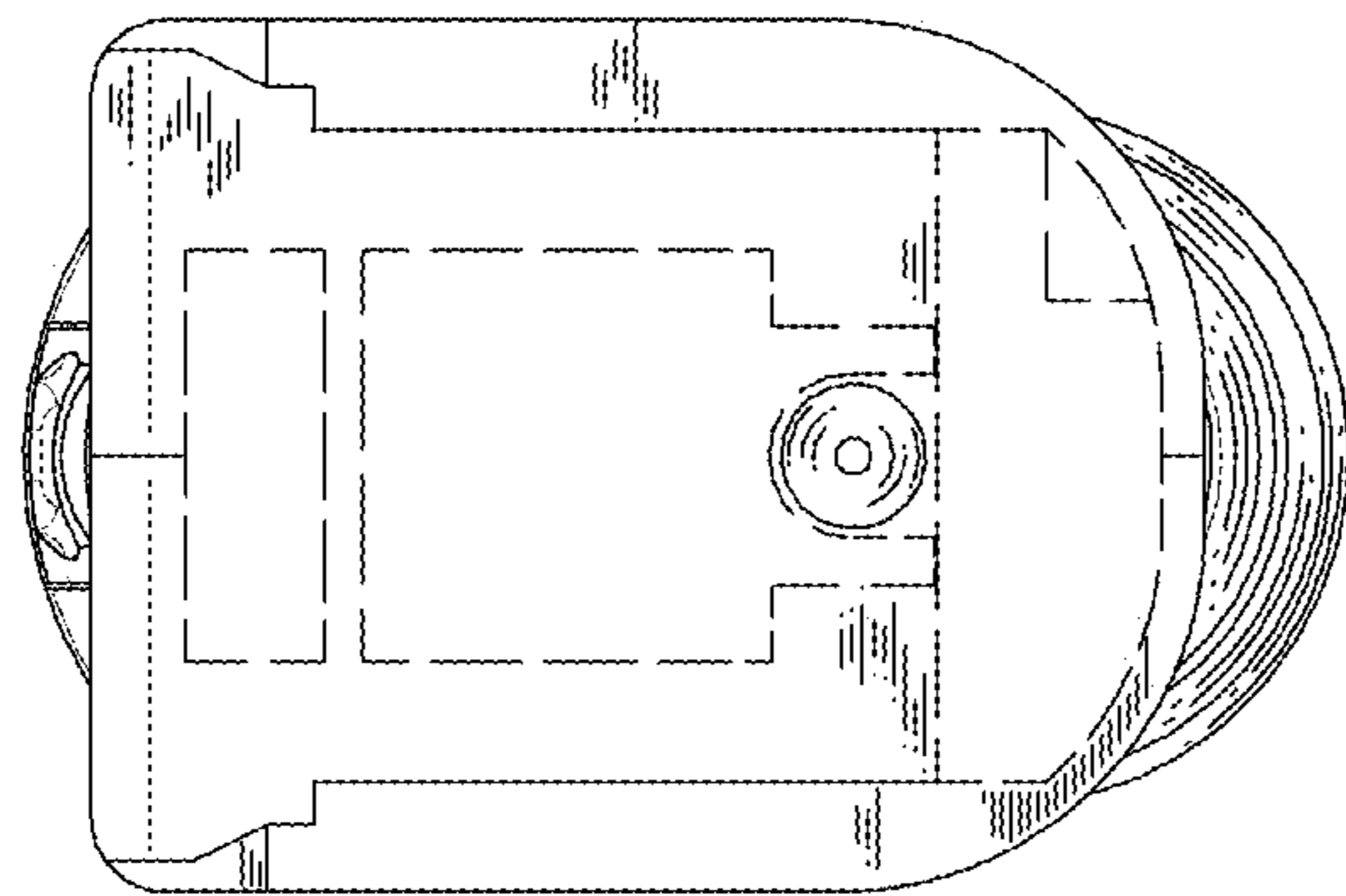


Fig. 7

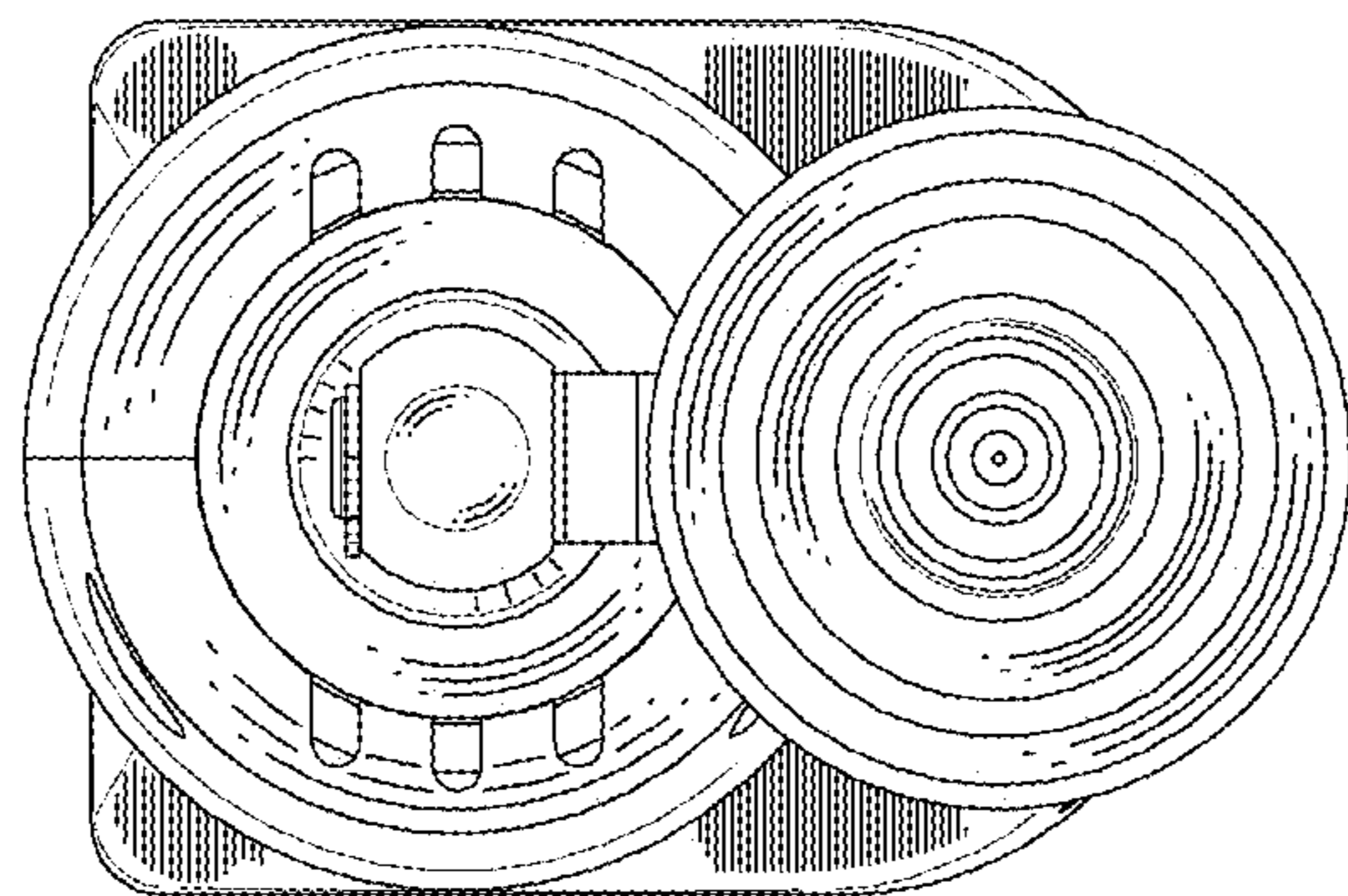


Fig. 8

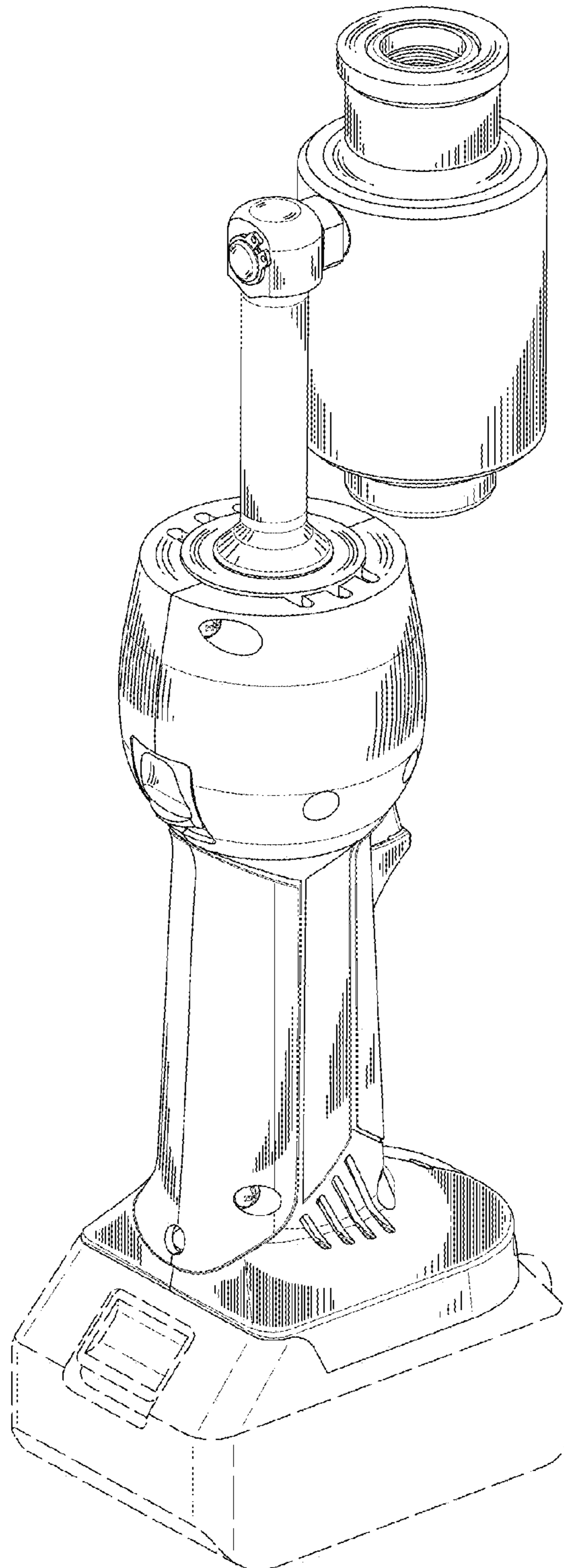


Fig. 9

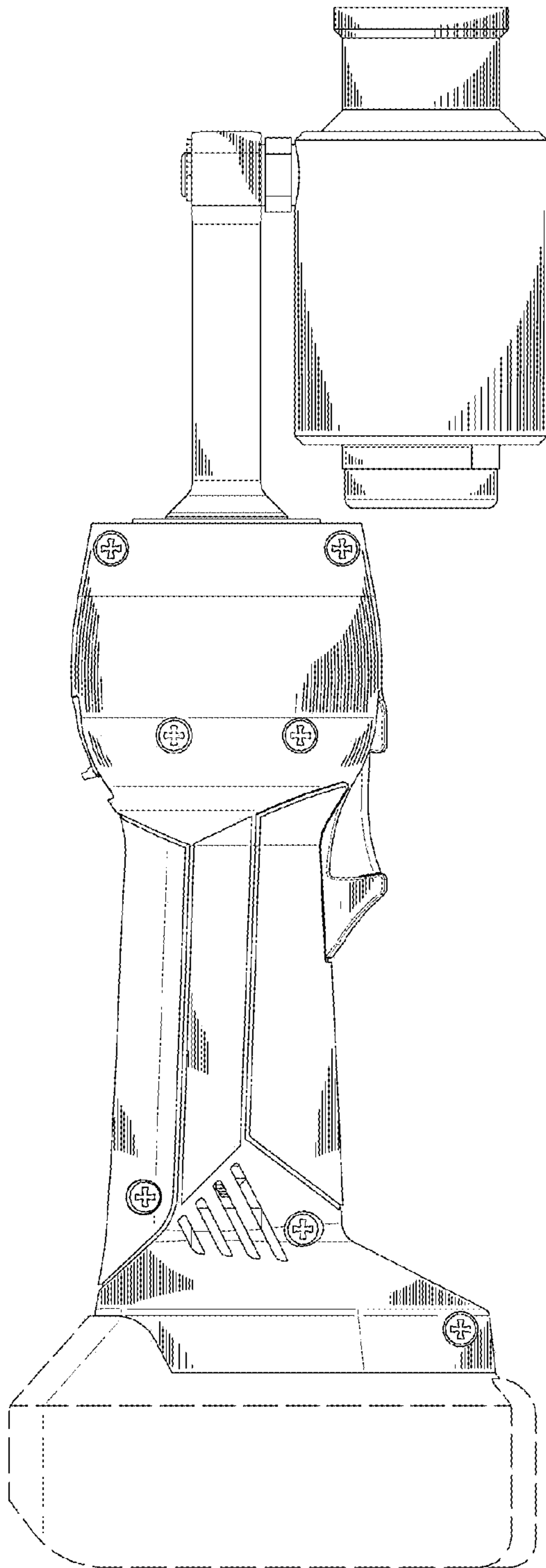


Fig. 10

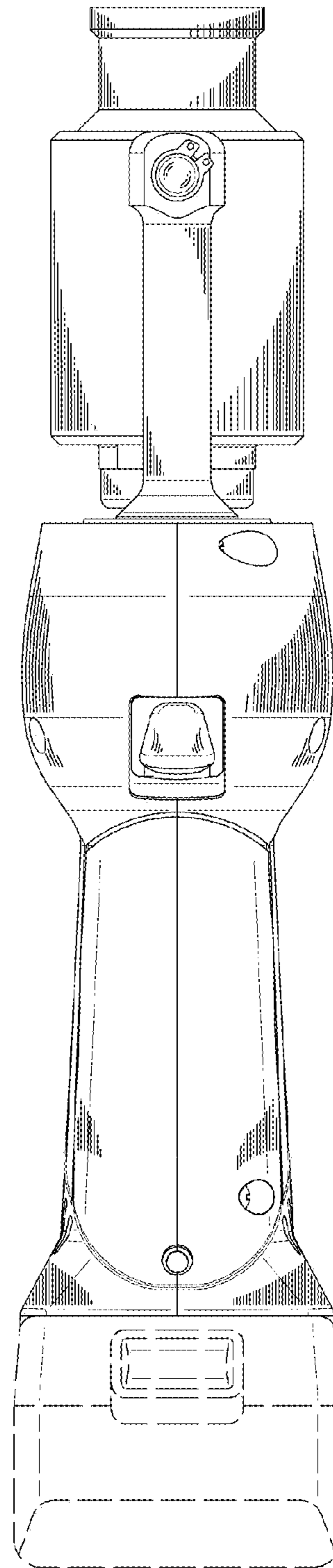


Fig. 11

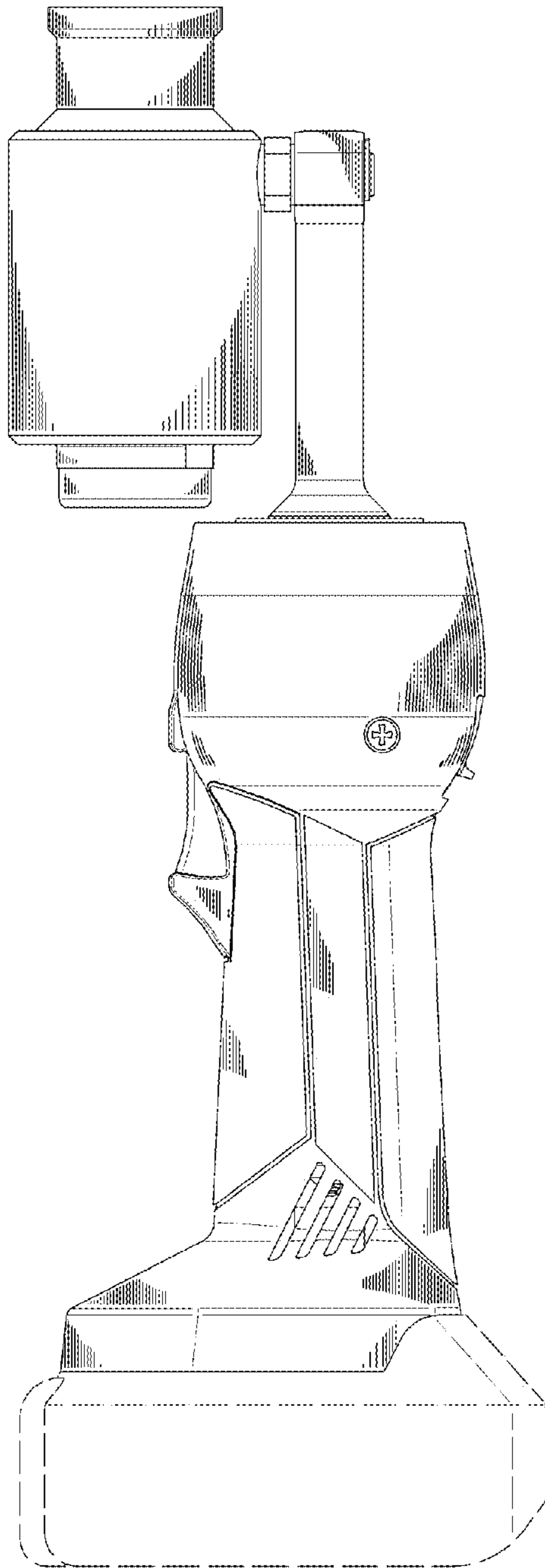


Fig. 12

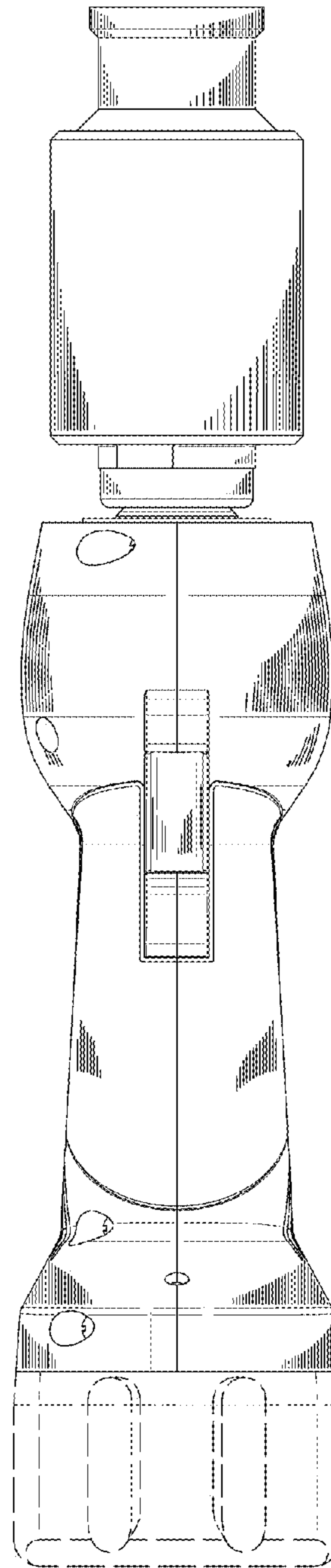


Fig. 13



Fig. 14

