

US00D706601S

(12) **United States Design Patent**  
**Thurston**

(10) **Patent No.:** **US D706,601 S**  
(45) **Date of Patent:** **\*\* Jun. 10, 2014**

- (54) **ERGONOMIC HAND TOOL**
  - (75) Inventor: **Lawrence J. Thurston**, Fremont, OH (US)
  - (73) Assignee: **Everhard Products, Inc.**, Canton, OH (US)
  - (\*\*) Term: **14 Years**
  - (21) Appl. No.: **29/422,880**
  - (22) Filed: **May 24, 2012**
  - (51) **LOC (10) Cl.** ..... **08-05**
  - (52) **U.S. Cl.**  
USPC ..... **D8/51**
  - (58) **Field of Classification Search**  
USPC ..... D8/51; 156/367, 368, 579; 29/751, 750, 29/752, 747; 30/90.7, 250, 90.1, 90.6, 30/91.2, 287, 293; 81/9.44, 423; 211/71.01, 85.19; 248/146; D34/6; 492/13; 15/230.11
- See application file for complete search history.

5,393,289	A	2/1995	Green	
6,685,609	B2	2/2004	Carder	
D498,397	S	11/2004	Mitchell	
6,875,162	B2	4/2005	Barksdale et al.	
D552,952	S *	10/2007	Horner et al.	D8/51
D556,526	S	12/2007	Horner et al.	
7,588,523	B2 *	9/2009	Horner et al.	492/13
D661,168	S *	6/2012	Furling et al.	D8/51
D665,642	S *	8/2012	Furling et al.	D8/51

**OTHER PUBLICATIONS**

Everhard Products, Inc., brochure, 1 page.

\* cited by examiner

*Primary Examiner* — Robert M Spear

*Assistant Examiner* — Eliza Bennett-Hattan

(74) *Attorney, Agent, or Firm* — Sand & Sebolt

(57) **CLAIM**

The ornamental design for the ergonomic hand tool, as shown and described.

**DESCRIPTION**

FIG. 1 is a side elevational view of an ergonomic hand tool showing the new design;

FIG. 2 is a rear elevational view thereof;

FIG. 3 is a front elevational view thereof;

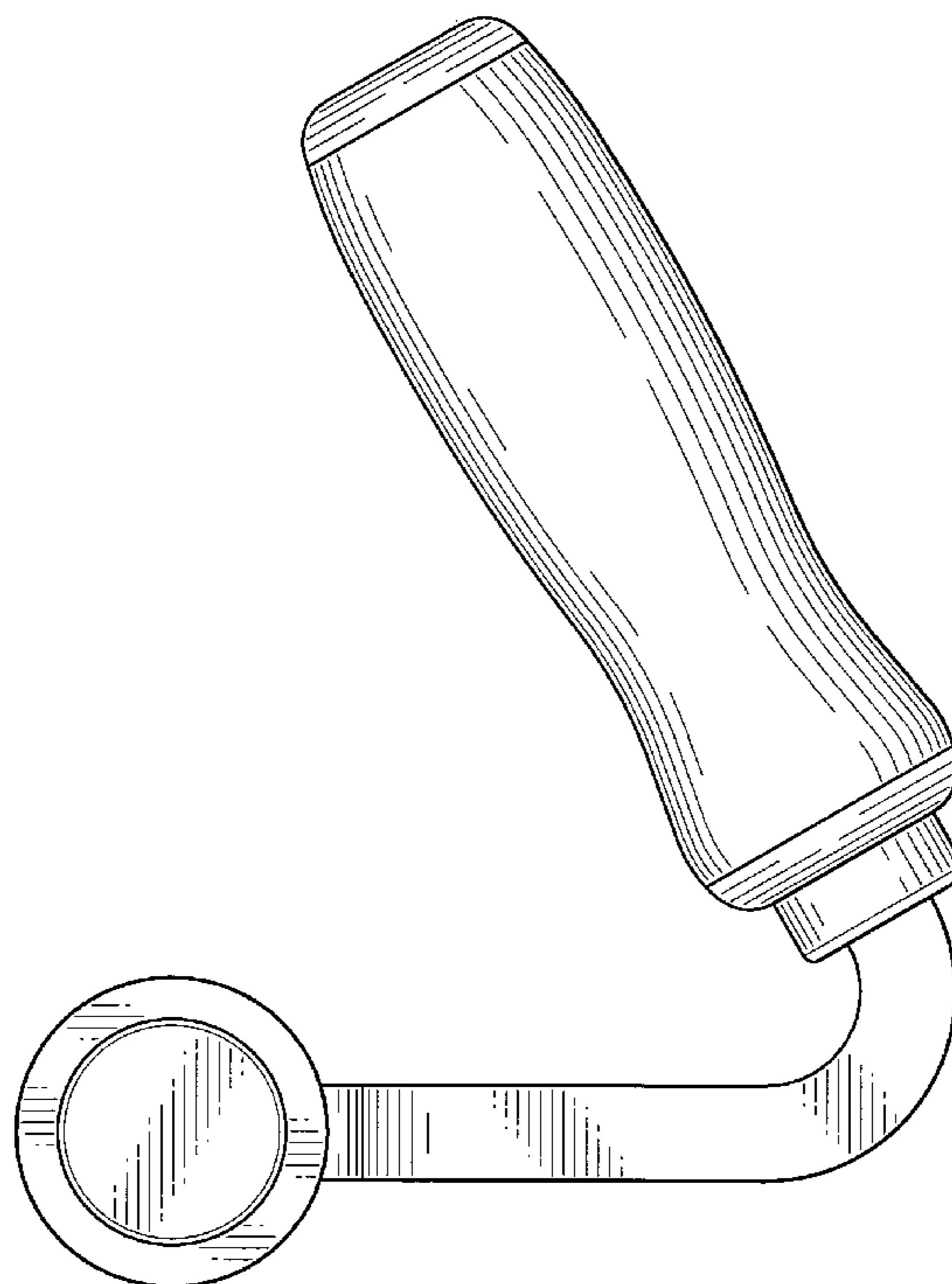
FIG. 4 is a side elevational view opposite of that shown in FIG. 1;

FIG. 5 is a top plan view thereof; and,

FIG. 6 is a bottom plan view thereof.

**1 Claim, 4 Drawing Sheets**

- (56) **References Cited**  
U.S. PATENT DOCUMENTS
- |           |   |         |               |
|-----------|---|---------|---------------|
| 1,510,034 | A | 9/1924  | Brader        |
| 4,224,726 | A | 9/1980  | Walker        |
| 4,548,016 | A | 10/1985 | Dubich et al. |
| 4,894,112 | A | 1/1990  | Lippman       |
| D306,524  | S | 3/1990  | Marshall      |



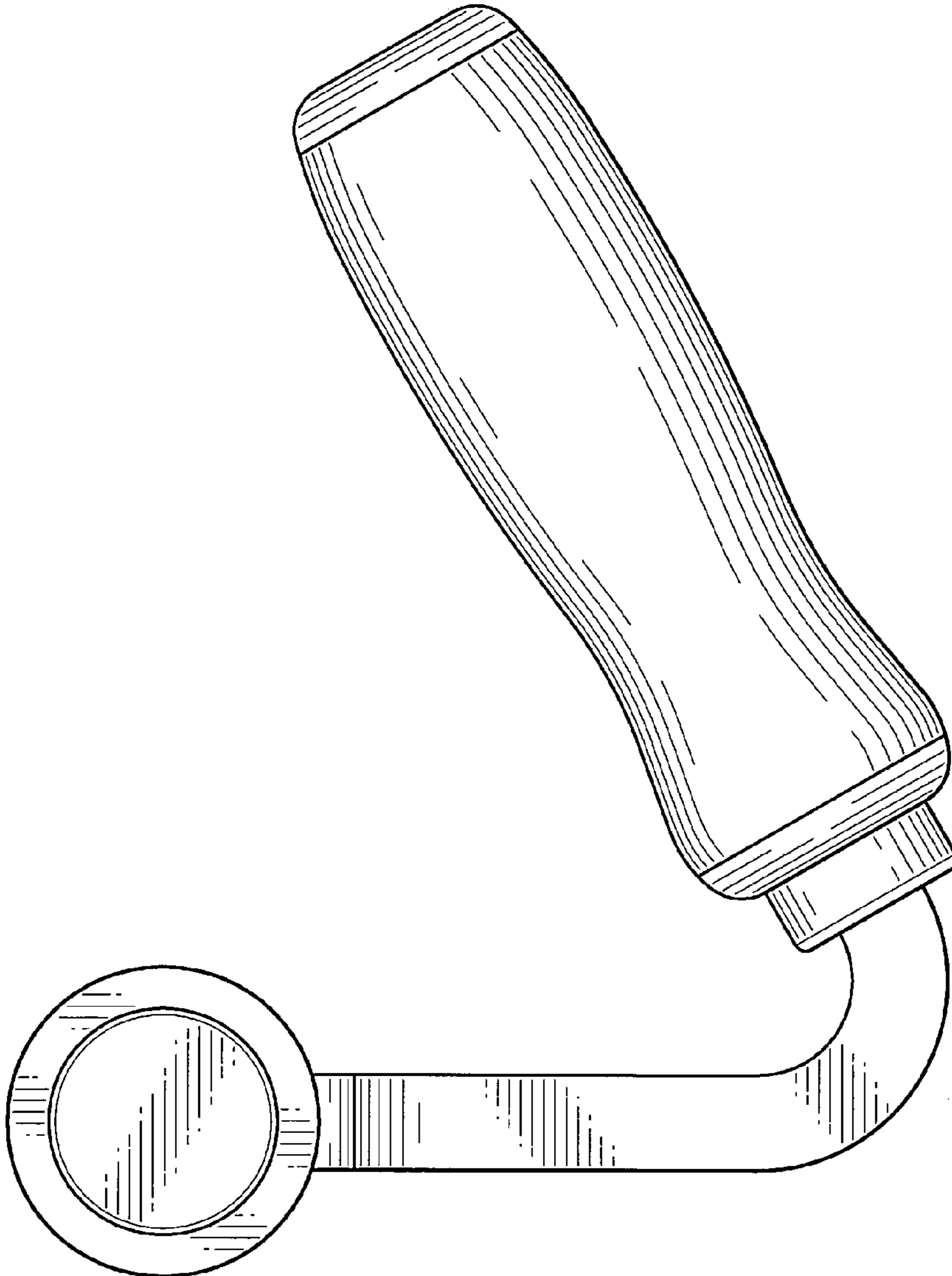


FIG-1

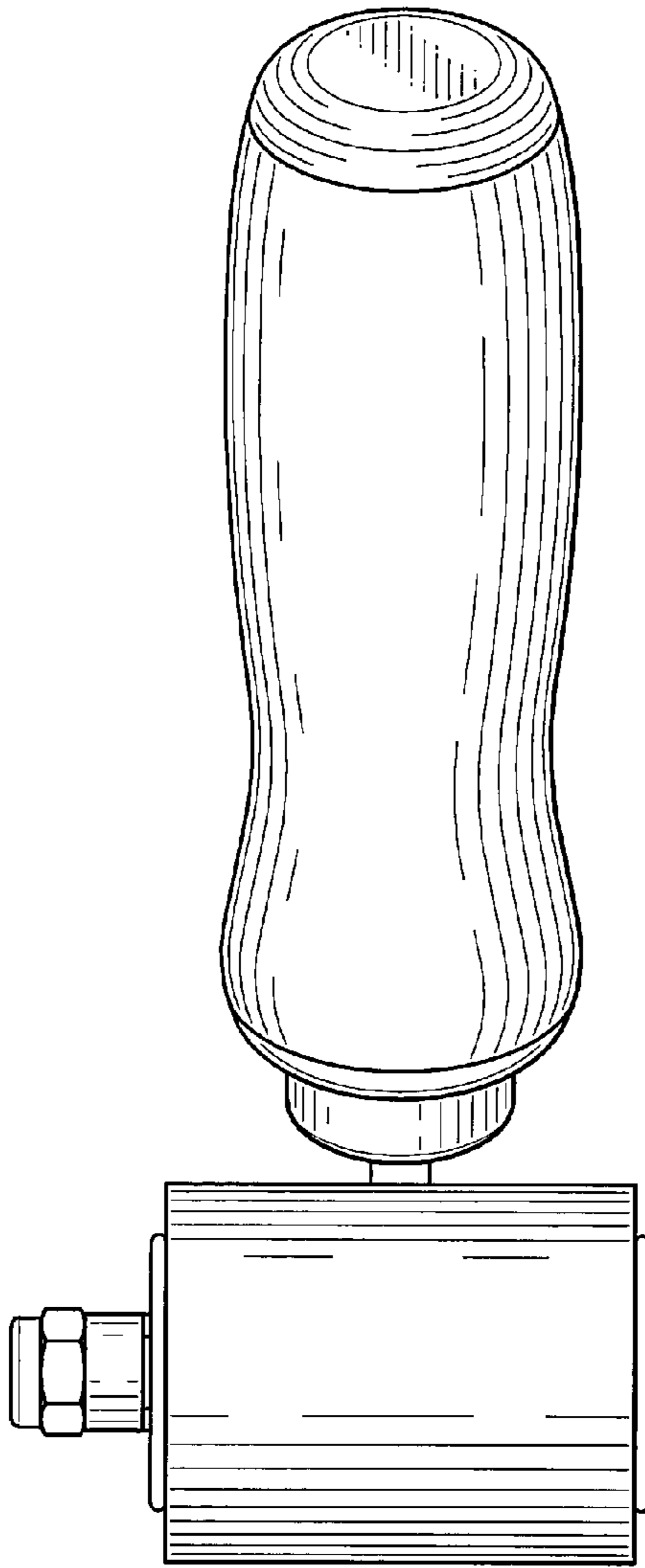


FIG-2

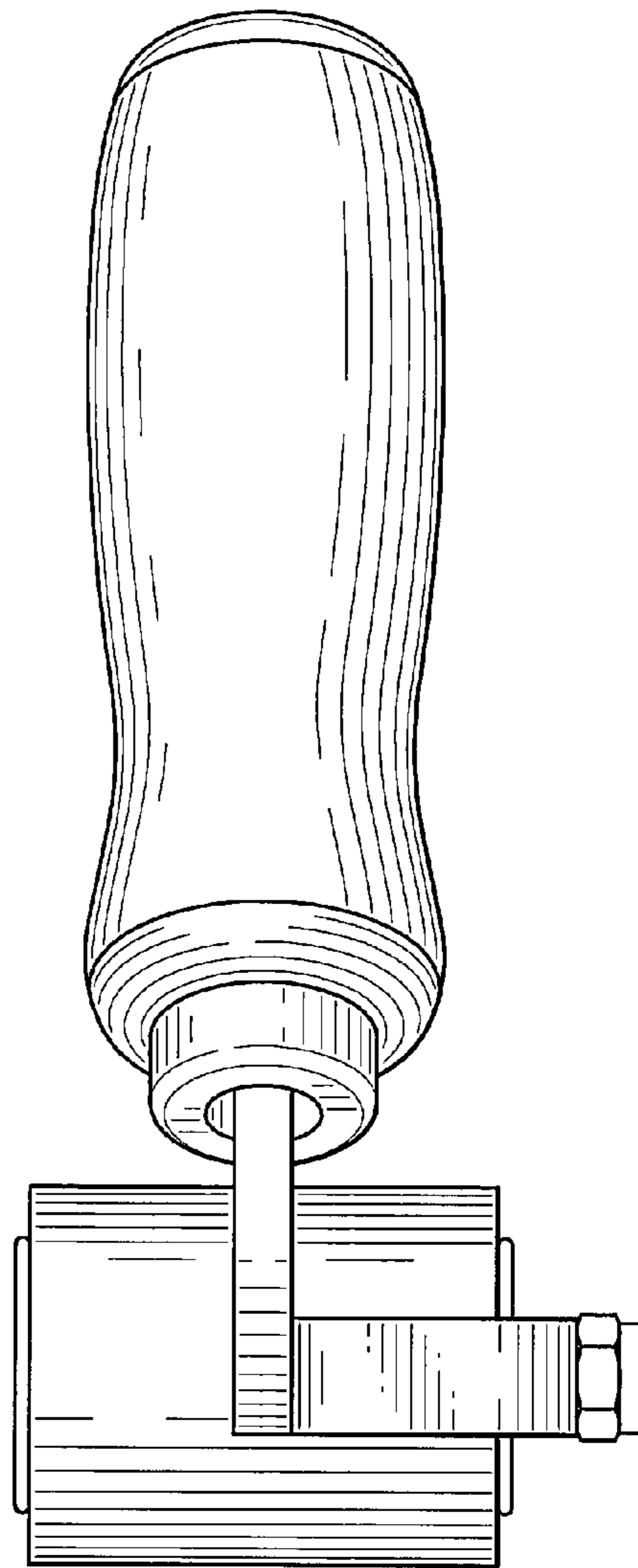


FIG-3

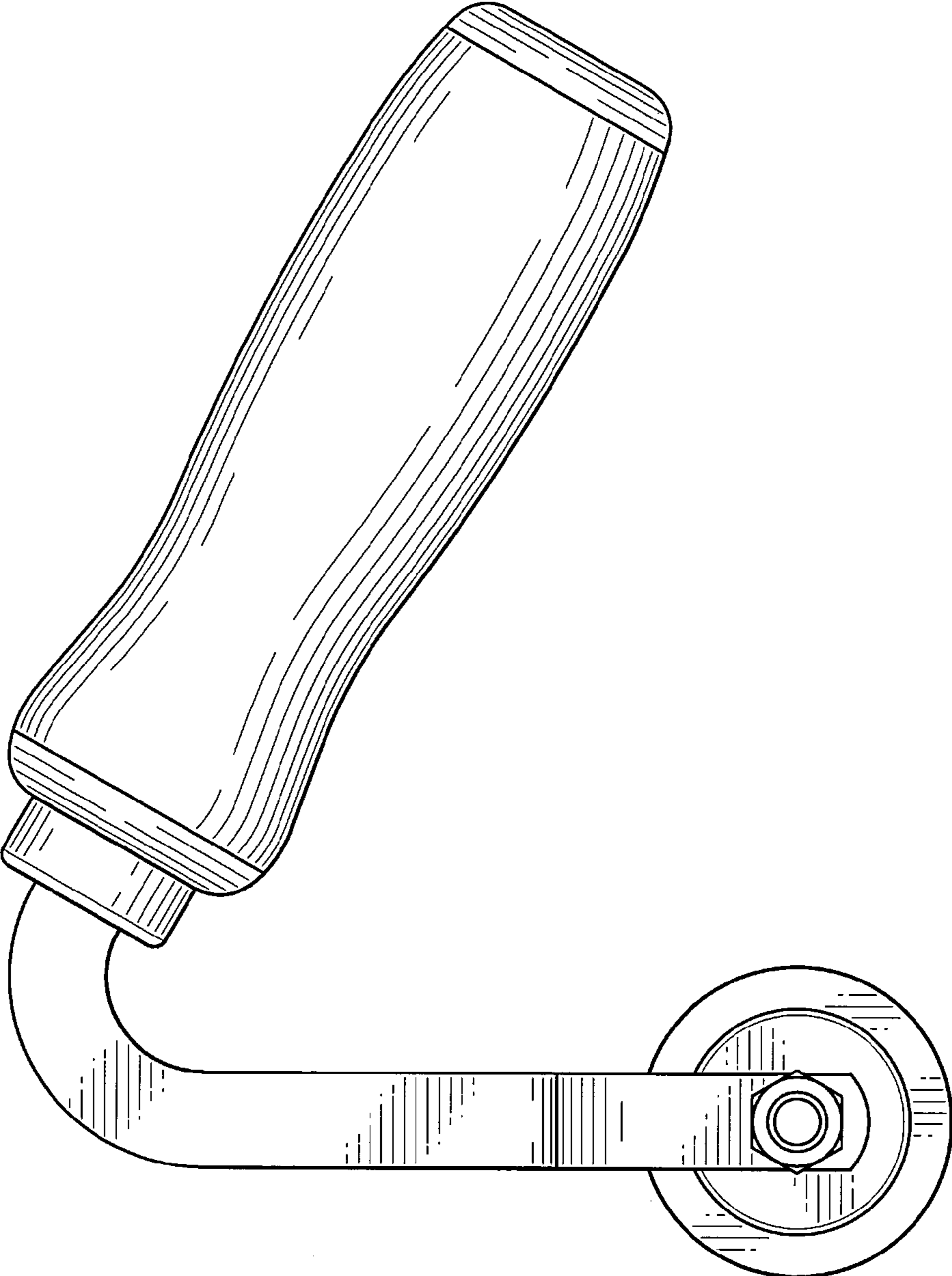


FIG-4

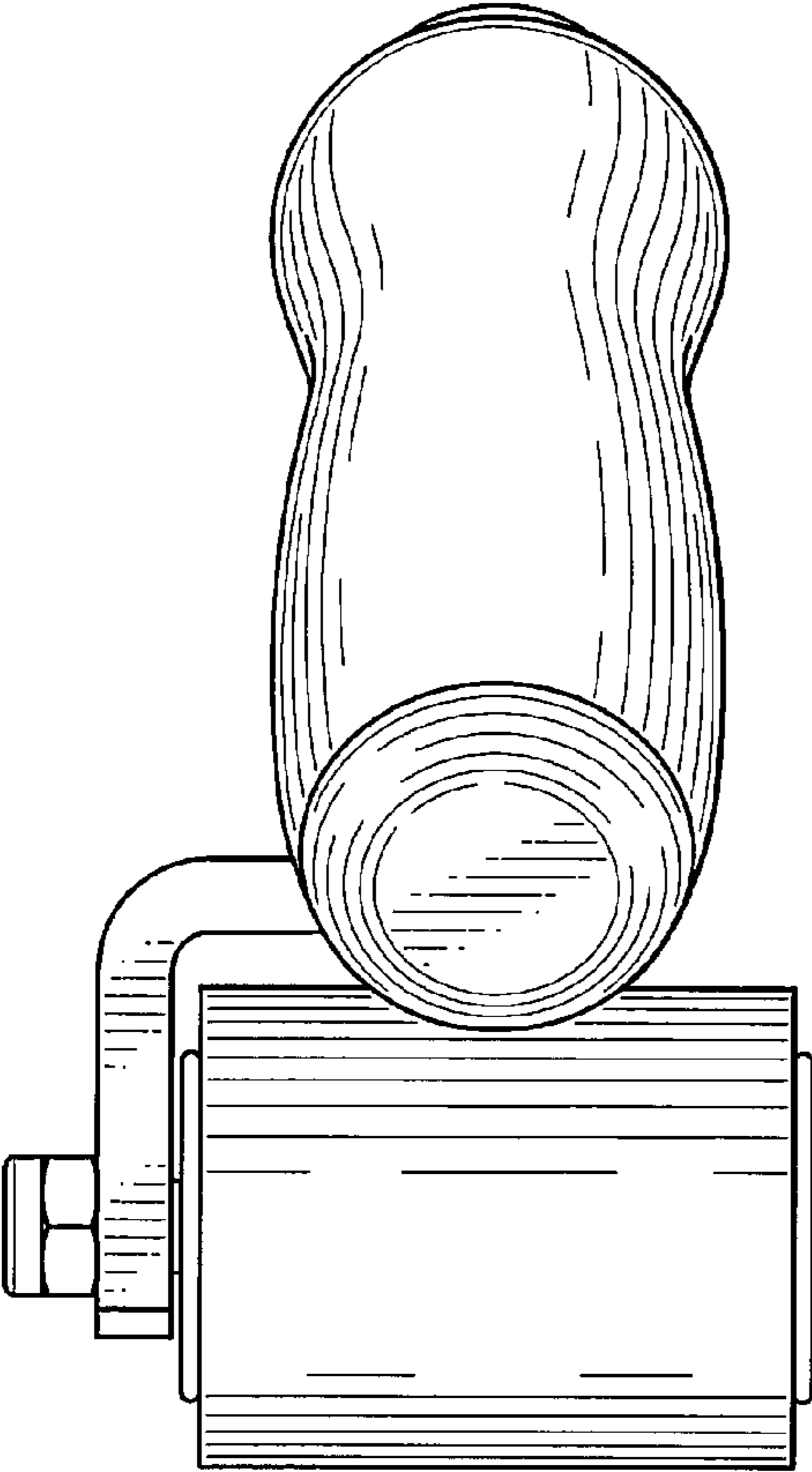


FIG-5

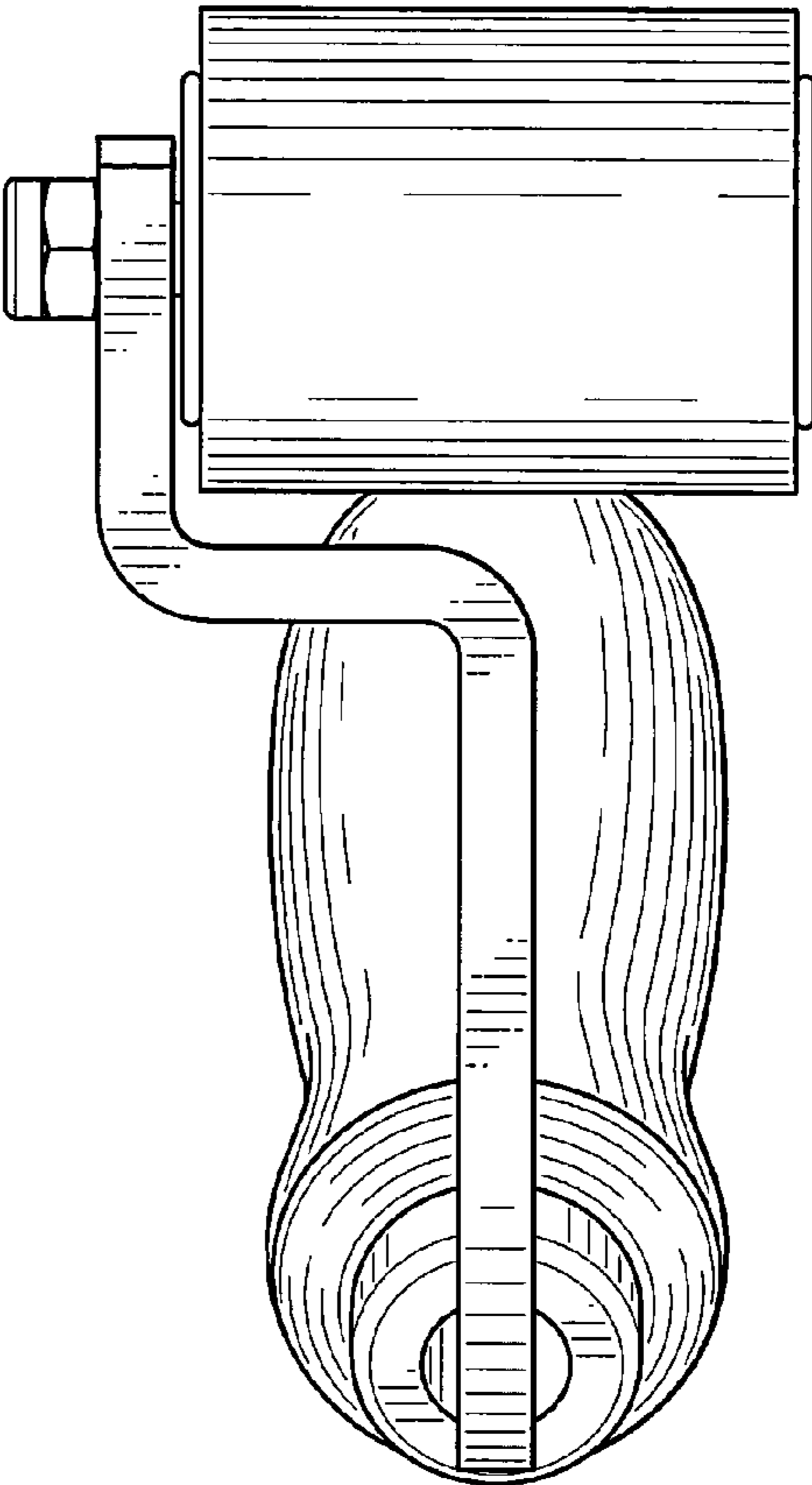


FIG-6