



US00D706600S

(12) **United States Design Patent**
Cunningham et al.

(10) **Patent No.:** **US D706,600 S**
(45) **Date of Patent:** **** *Jun. 10, 2014**

- (54) **STAPLER COVER**
- (71) Applicant: **ACCO Brands Corporation**,
Lincolnshire, IL (US)
- (72) Inventors: **Christopher Cunningham**, Mundelein,
IL (US); **Samuel Bradley**, Mundelein,
IL (US); **Zhe Shen**, Palatine, IL (US)
- (73) Assignee: **ACCO Brands Corporation**, Lake
Zurich, IL (US)
- (*) Notice: This patent is subject to a terminal dis-
claimer.
- (**) Term: **14 Years**

D248,920 S	8/1978	Jalk et al.	
D251,962 S	5/1979	Power	
D277,161 S	1/1985	Miller et al.	
D277,162 S	1/1985	Power et al.	
D295,015 S *	4/1988	Ebihara	D8/50
D304,903 S	12/1989	Leszczak et al.	
D305,398 S	1/1990	Olesen	
D308,324 S	6/1990	Oliver	
D308,930 S	7/1990	Leszczak et al.	
D320,147 S	9/1991	Mayo et al.	
D320,539 S *	10/1991	Leff et al.	D8/50
D330,317 S	10/1992	Jacober et al.	
D331,002 S	11/1992	Oliver	
D331,178 S	11/1992	Bain et al.	
D333,957 S *	3/1993	Chan	D8/50
D340,847 S	11/1993	Bain et al.	
D387,646 S *	12/1997	Arns	D8/50
D392,528 S	3/1998	Rossetto et al.	
D401,825 S	12/1998	Parsey et al.	
D413,239 S	8/1999	Lovegrove et al.	

- (21) Appl. No.: **29/448,185**
- (22) Filed: **Mar. 11, 2013**
- (51) **LOC (10) Cl.** **19-02**
- (52) **U.S. Cl.**
USPC **D8/50**
- (58) **Field of Classification Search**
USPC D8/48, 49, 50, 61, 68, 69, 70; D19/72,
D19/73, 65, 69; D21/532; D24/145; 7/158,
7/160; 227/4, 5, 6, 7, 8, 120, 127, 128,
227/131, 132, 134, 144, 156, 175.1;
606/139, 143, 153, 219
See application file for complete search history.

- (56) **References Cited**
U.S. PATENT DOCUMENTS
D215,692 S * 10/1969 Glennon D8/50
D230,520 S 2/1974 Dahle
D233,306 S 10/1974 Power
D234,937 S 4/1975 Olney et al.
D243,148 S 1/1977 Levin
D244,253 S 5/1977 Power et al.

(Continued)

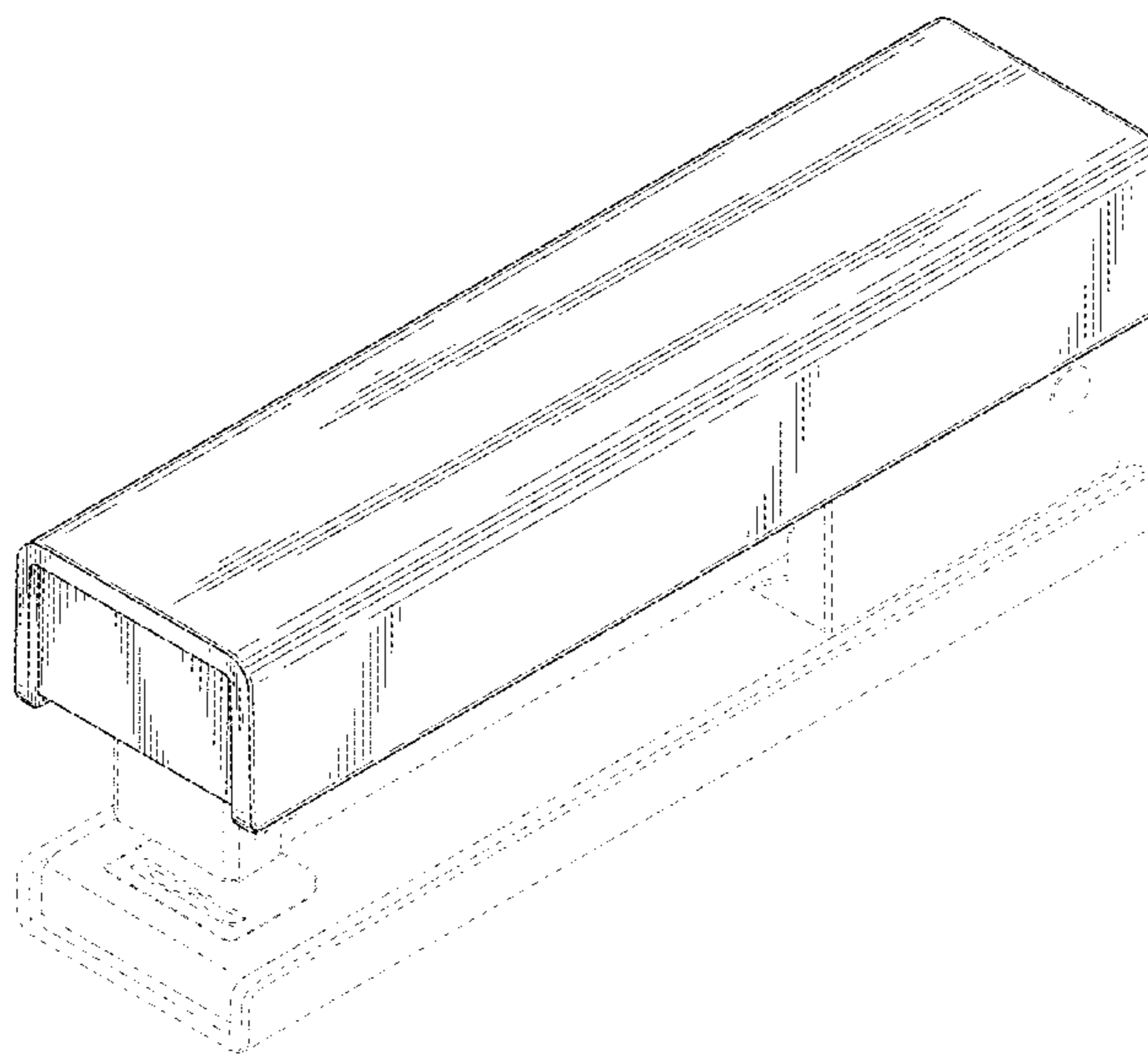
Primary Examiner — Austin Murphy
(74) *Attorney, Agent, or Firm* — Michael Best & Friedrich LLP

(57) **CLAIM**
We claim the ornamental design for a stapler cover, as shown and described.

DESCRIPTION

FIG. 1 is a left-side perspective view, taken from the front, of a stapler cover embodying the present invention. FIG. 2 is a left-side view of the stapler cover. FIG. 3 is a top view of the stapler cover. FIG. 4 is a front view of the stapler cover; and, FIG. 5 is a rear view of the stapler cover. The portions of the stapler shown in broken lines illustrate environment and form no part of the claimed design. The right-side view opposite FIG. 2 is a mirror image of FIG. 2 and is not shown.

1 Claim, 3 Drawing Sheets



(56)

References Cited

U.S. PATENT DOCUMENTS

D414,999 S	10/1999	Wilson et al.	D530,578 S	10/2006	Sauter et al.
D416,454 S	11/1999	Lovegrove et al.	D531,470 S	11/2006	Kirby et al.
D420,266 S	2/2000	Berry et al.	D557,092 S	12/2007	Harris et al.
D422,862 S	4/2000	Wilson et al.	D567,609 S	4/2008	Sudmalis et al.
D424,898 S	5/2000	Wilson et al.	D572,549 S	7/2008	Sudmalis et al.
D447,676 S	9/2001	Wilson et al.	D574,682 S	8/2008	Cunningham et al.
D470,025 S	2/2003	Joss et al.	D574,683 S	8/2008	Cunningham et al.
D478,486 S	8/2003	Scola et al.	D576,004 S	9/2008	Cunningham et al.
D502,850 S	3/2005	Sauter et al.	D578,850 S	10/2008	Cunningham et al.
D502,851 S	3/2005	Sauter et al.	D579,294 S	10/2008	Cunningham et al.
D503,877 S	4/2005	Adams et al.	D579,295 S	10/2008	Cunningham et al.
D511,283 S	11/2005	Sauter et al.	D581,230 S	11/2008	Cunningham et al.
D514,904 S	2/2006	Sauter et al.	D587,976 S	3/2009	Cunningham et al.
			D597,391 S	8/2009	Cunningham et al.
			D694,079 S	* 11/2013	Cunningham et al. D8/50

* cited by examiner

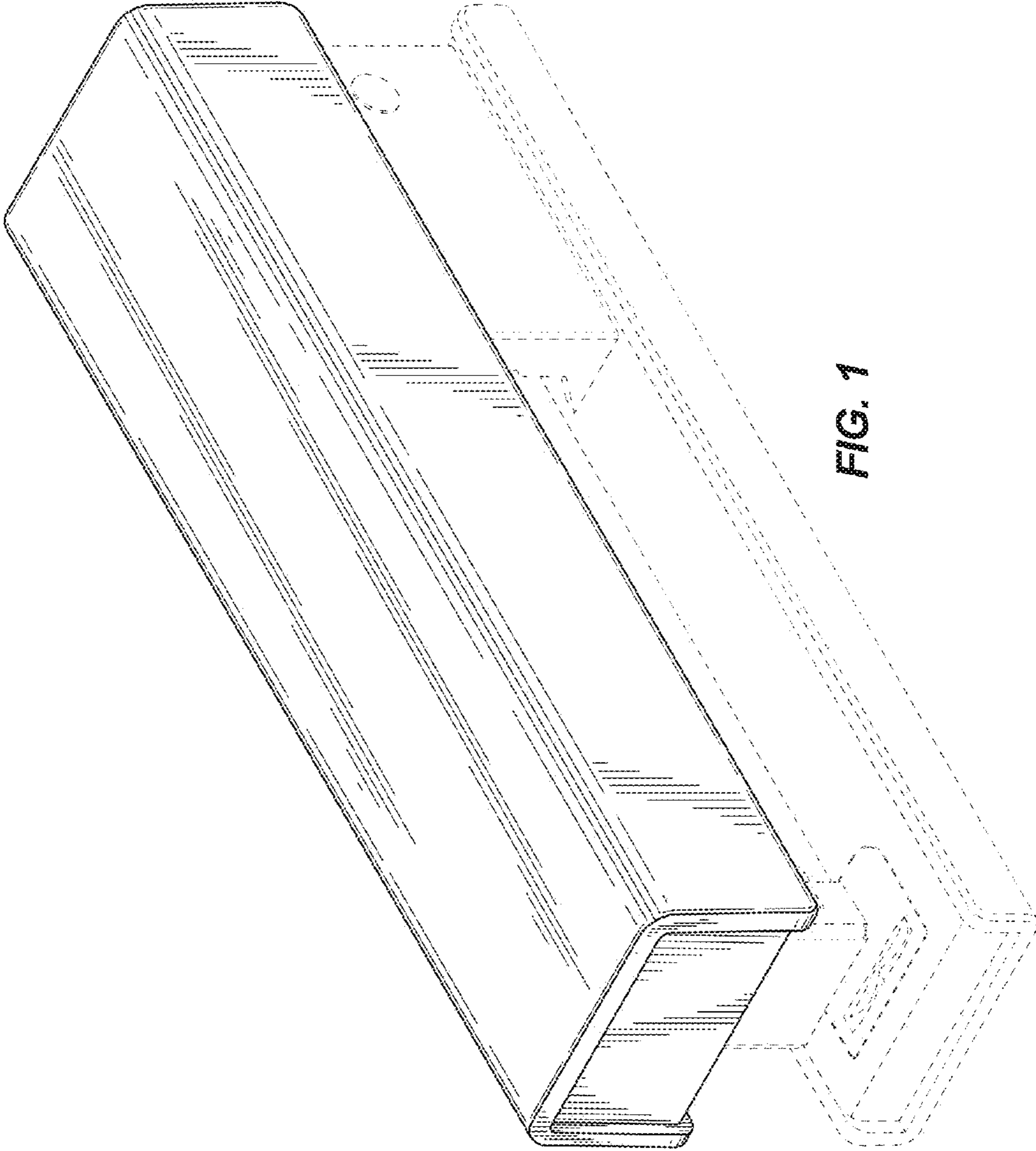


FIG. 1

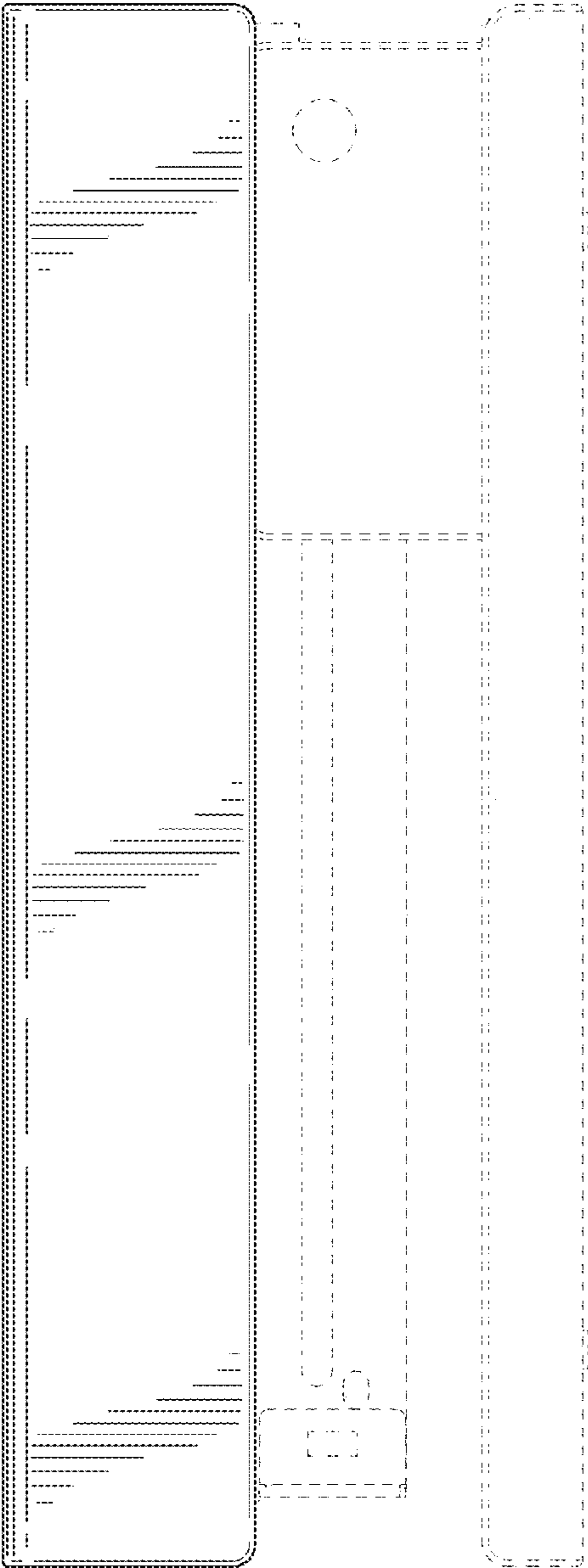


FIG. 2

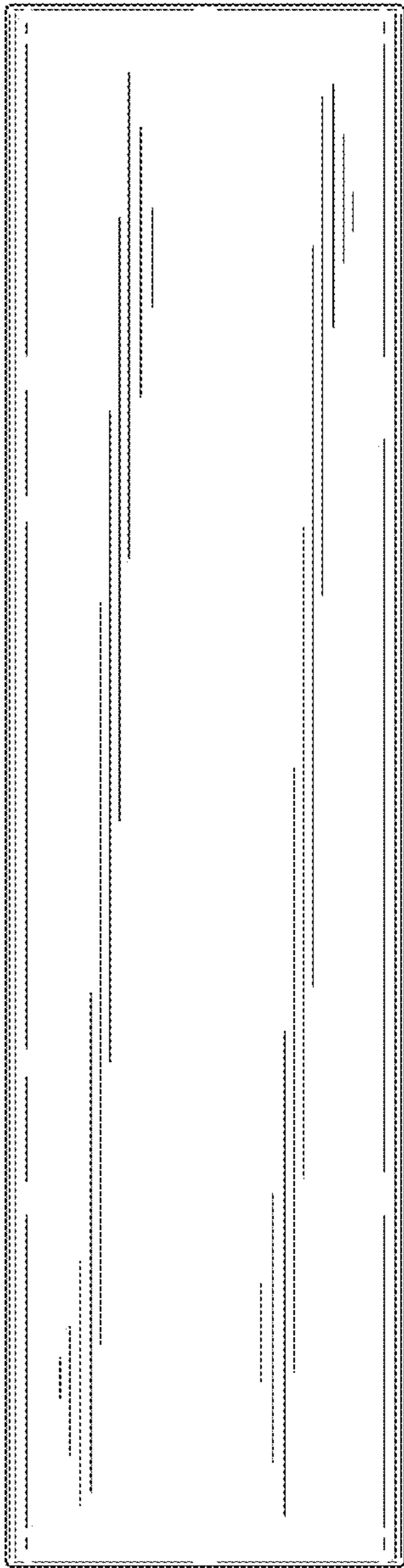


FIG. 3

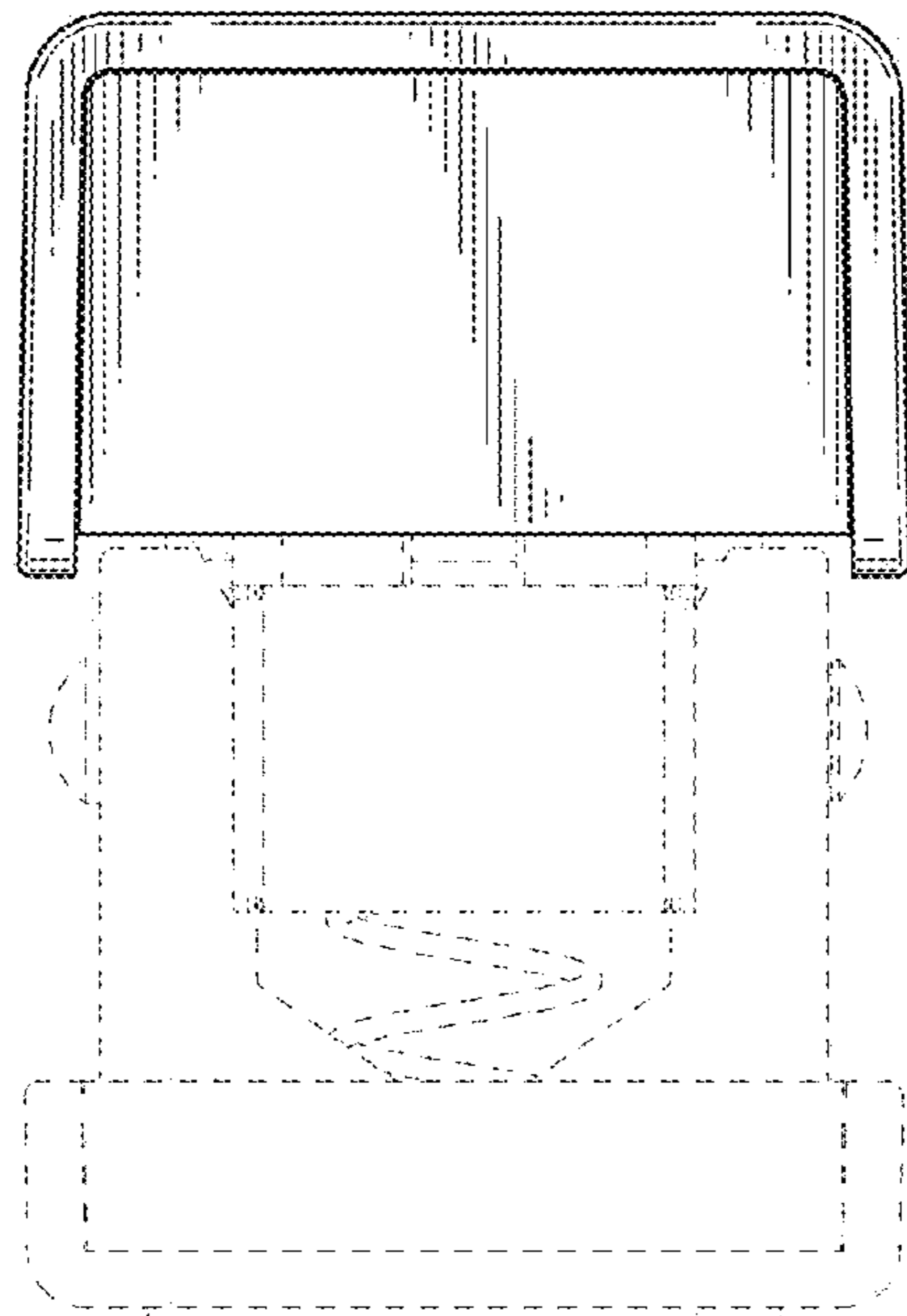


FIG. 4

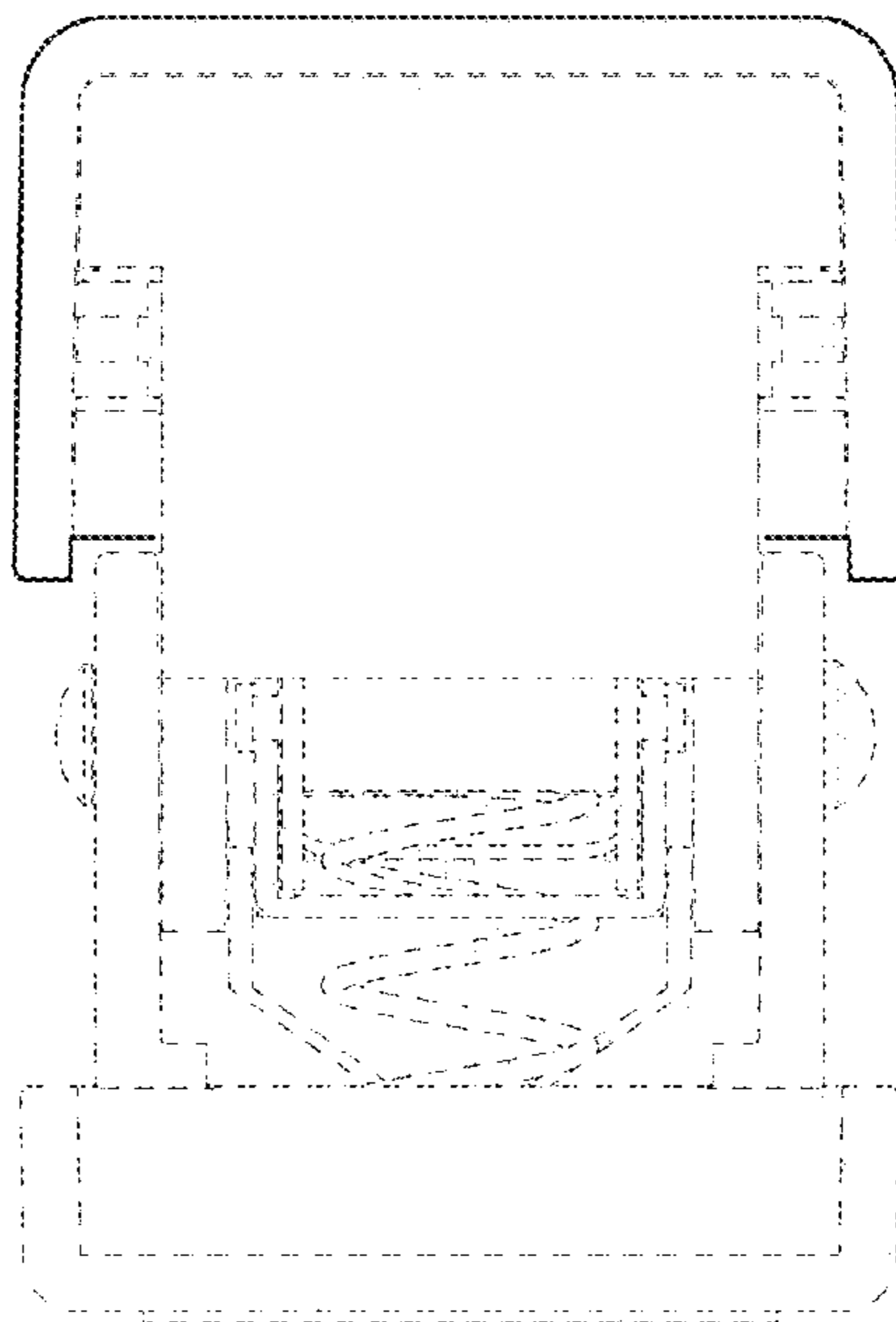


FIG. 5