



US00D706599S

(12) **United States Design Patent**
Cunningham et al.

(10) **Patent No.:** **US D706,599 S**
(45) **Date of Patent:** **** *Jun. 10, 2014**

- (54) **STAPLER COVER**
- (71) Applicant: **ACCO Brands Corporation**,
Lincolnshire, IL (US)
- (72) Inventors: **Christopher Cunningham**, Mundelein,
IL (US); **Samuel Bradley**, Mundelein,
IL (US); **Zhe Shen**, Palatine, IL (US)
- (73) Assignee: **ACCO Brands Corporation**, Lake
Zurich, IL (US)
- (*) Notice: This patent is subject to a terminal dis-
claimer.
- (**) Term: **14 Years**
- (21) Appl. No.: **29/448,182**
- (22) Filed: **Mar. 11, 2013**
- (51) **LOC (10) Cl.** **19-02**
- (52) **U.S. Cl.**
USPC **D8/50**
- (58) **Field of Classification Search**
USPC D8/48, 49, 50, 61, 68, 69, 70; D19/72,
D19/73, 65, 69; D21/532; D24/145; 7/158,
7/160; 227/4, 5, 6, 7, 8, 120, 127, 128,
227/131, 132, 134, 144, 156, 175.1;
606/139, 143, 153, 219
See application file for complete search history.

- D248,920 S 8/1978 Jalk et al.
- D251,962 S 5/1979 Power
- D277,161 S 1/1985 Miller et al.
- D277,162 S 1/1985 Power et al.
- D295,015 S * 4/1988 Ebihara D8/50
- D304,903 S 12/1989 Leszczak et al.
- D305,398 S 1/1990 Olesen
- D308,324 S 6/1990 Oliver
- D308,930 S 7/1990 Leszczak et al.
- D320,147 S 9/1991 Mayo et al.
- D320,539 S * 10/1991 Leff et al. D8/50
- D330,317 S 10/1992 Jacober et al.
- D331,002 S 11/1992 Oliver
- D331,178 S 11/1992 Bain et al.
- D333,957 S * 3/1993 Chan D8/50
- D340,847 S 11/1993 Bain et al.
- D387,646 S * 12/1997 Arns D8/50
- D392,528 S 3/1998 Rossetto et al.
- D401,825 S 12/1998 Parsey et al.
- D413,239 S 8/1999 Lovegrove et al.

(Continued)

Primary Examiner — Austin Murphy
(74) *Attorney, Agent, or Firm* — Michael Best & Friedrich
LLP

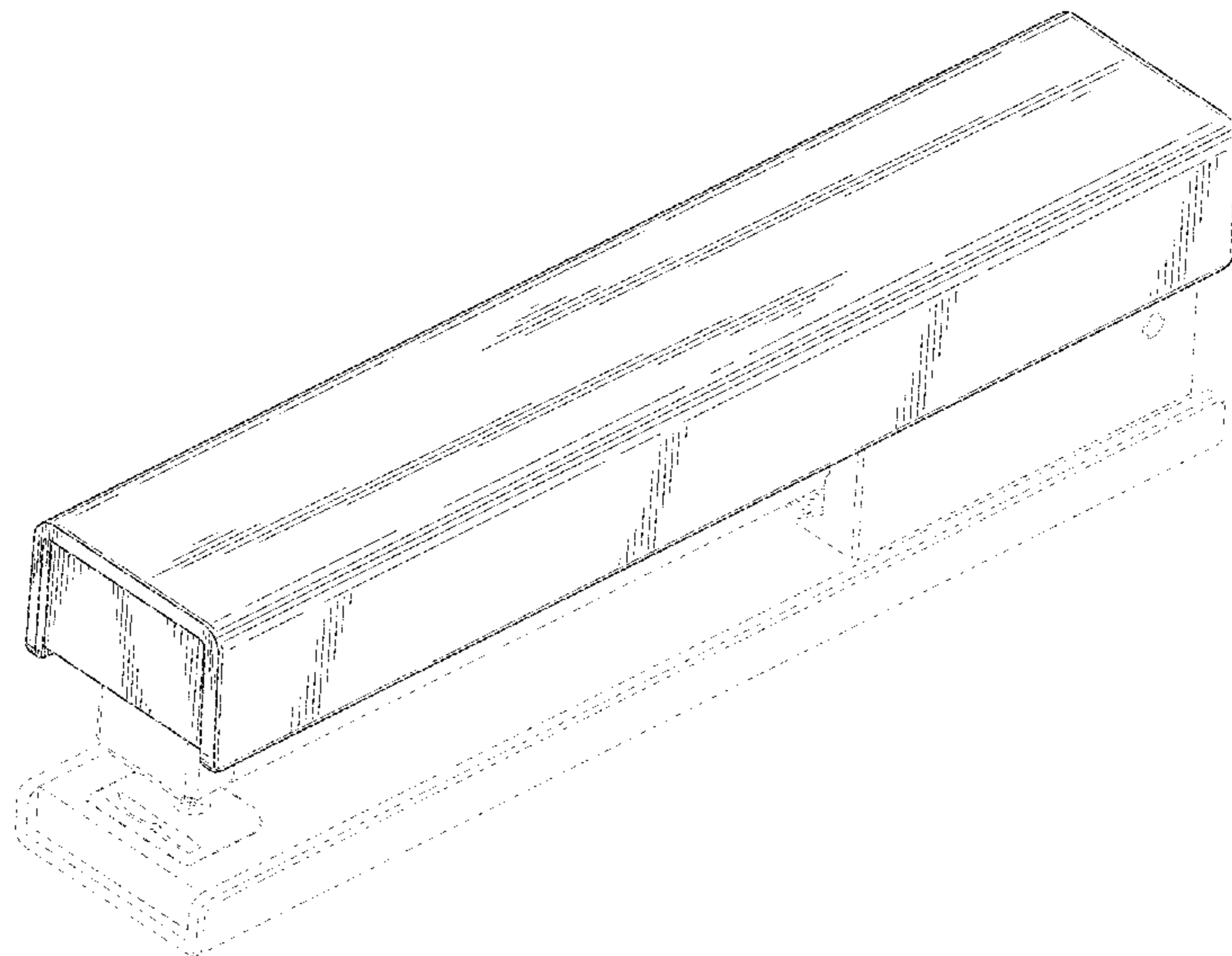
(57) **CLAIM**
We claim the ornamental design for a stapler cover, as shown
and described.

DESCRIPTION

FIG. 1 is a left-side perspective view, taken from the front, of
a stapler cover embodying the present invention.
FIG. 2 is a left-side view of the stapler cover.
FIG. 3 is a top view of the stapler cover.
FIG. 4 is a front view of the stapler cover; and,
FIG. 5 is a rear view of the stapler cover.
The portions of the stapler shown in broken lines illustrate
environment and form no part of the claimed design. The
right-side view opposite FIG. 2 is a mirror image of FIG. 2
and is not shown.

1 Claim, 3 Drawing Sheets

- (56) **References Cited**
U.S. PATENT DOCUMENTS
D215,692 S * 10/1969 Glennon D8/50
D230,520 S 2/1974 Dahle
D233,306 S 10/1974 Power
D234,937 S 4/1975 Olney et al.
D243,148 S 1/1977 Levin
D244,253 S 5/1977 Power et al.



(56)

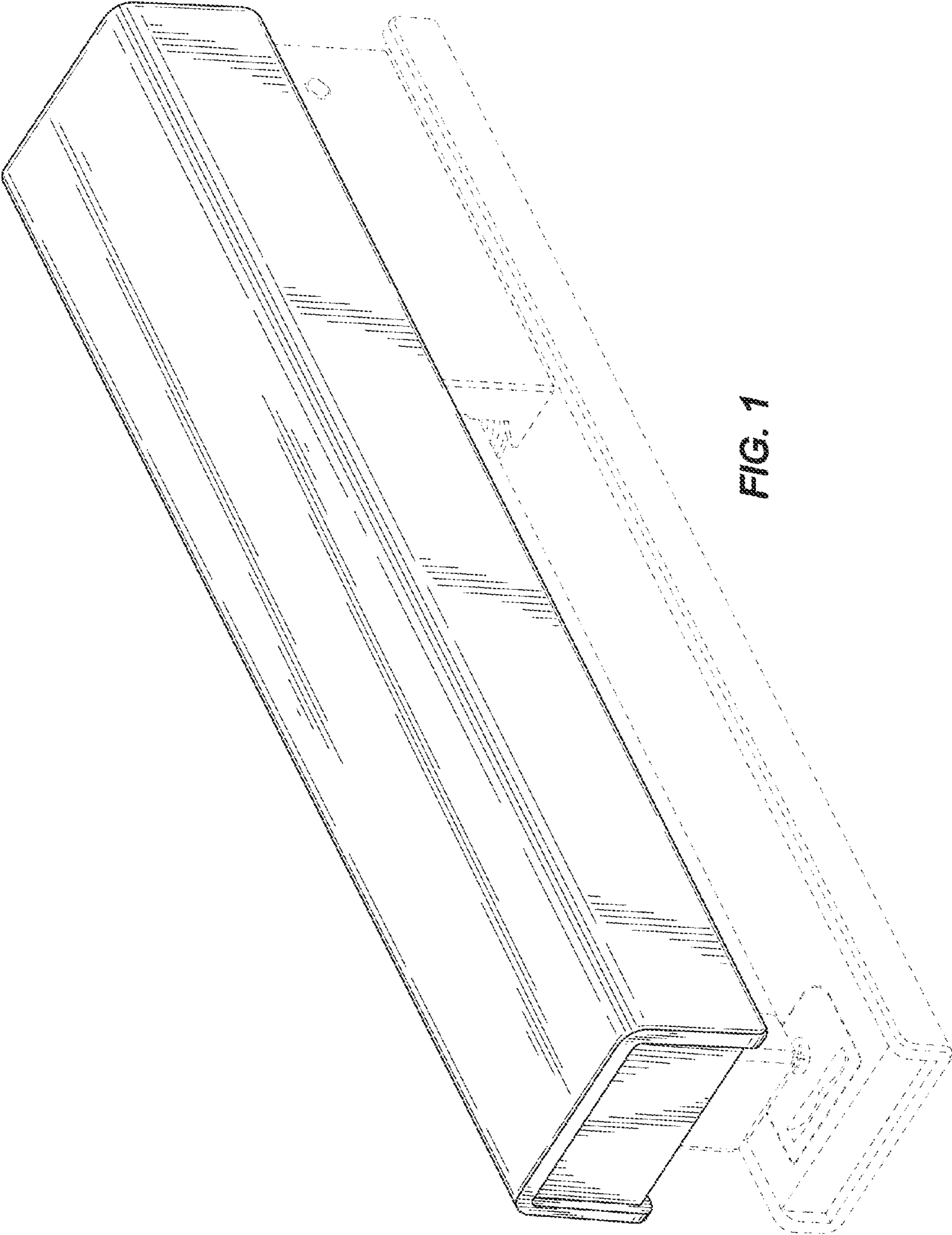
References Cited

U.S. PATENT DOCUMENTS

D414,999 S 10/1999 Wilson et al.
D416,454 S 11/1999 Lovegrove et al.
D420,266 S 2/2000 Berry et al.
D422,862 S 4/2000 Wilson et al.
D424,898 S 5/2000 Wilson et al.
D447,676 S 9/2001 Wilson et al.
D470,025 S 2/2003 Joss et al.
D478,486 S 8/2003 Scola et al.
D502,850 S 3/2005 Sauter et al.
D502,851 S 3/2005 Sauter et al.
D503,877 S 4/2005 Adams et al.
D511,283 S 11/2005 Sauter et al.
D514,904 S 2/2006 Sauter et al.

D530,578 S 10/2006 Sauter et al.
D531,470 S 11/2006 Kirby et al.
D557,092 S 12/2007 Harris et al.
D567,609 S 4/2008 Sudmalis et al.
D572,549 S 7/2008 Sudmalis et al.
D574,682 S 8/2008 Cunningham et al.
D574,683 S 8/2008 Cunningham et al.
D576,004 S 9/2008 Cunningham et al.
D578,850 S 10/2008 Cunningham et al.
D579,294 S 10/2008 Cunningham et al.
D579,295 S 10/2008 Cunningham et al.
D581,230 S 11/2008 Cunningham et al.
D587,976 S 3/2009 Cunningham et al.
D597,391 S 8/2009 Cunningham et al.
D694,079 S * 11/2013 Cunningham et al. D8/50

* cited by examiner



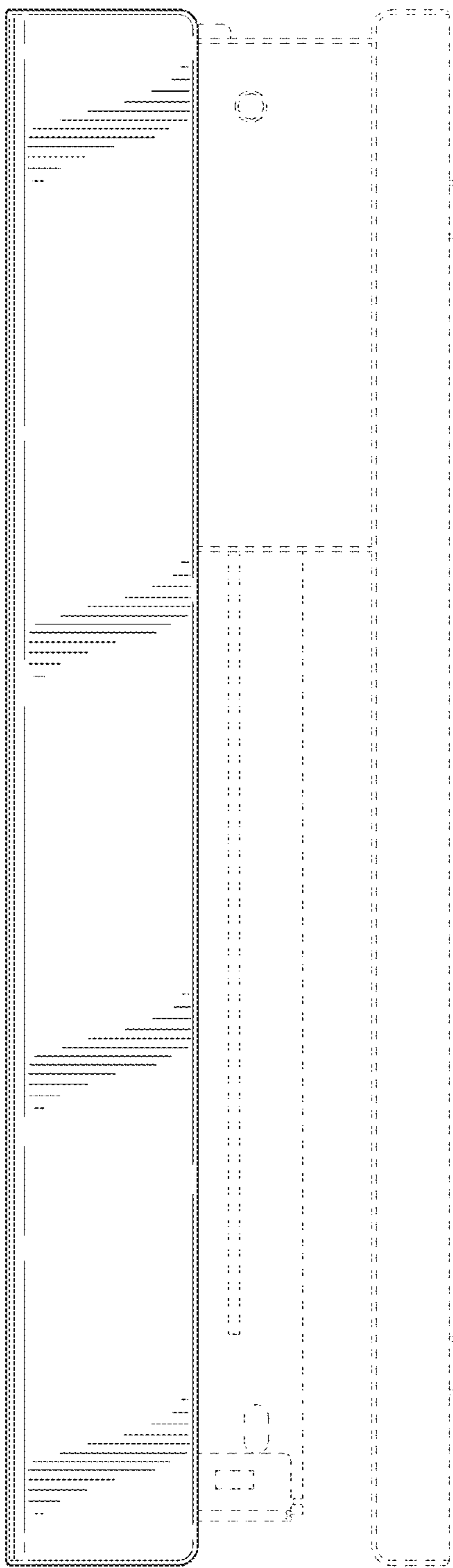


FIG. 2

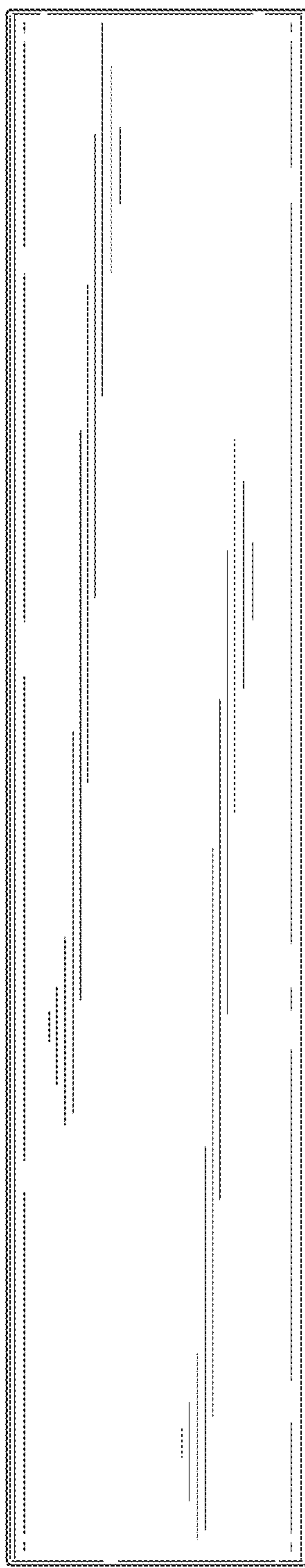


FIG. 3

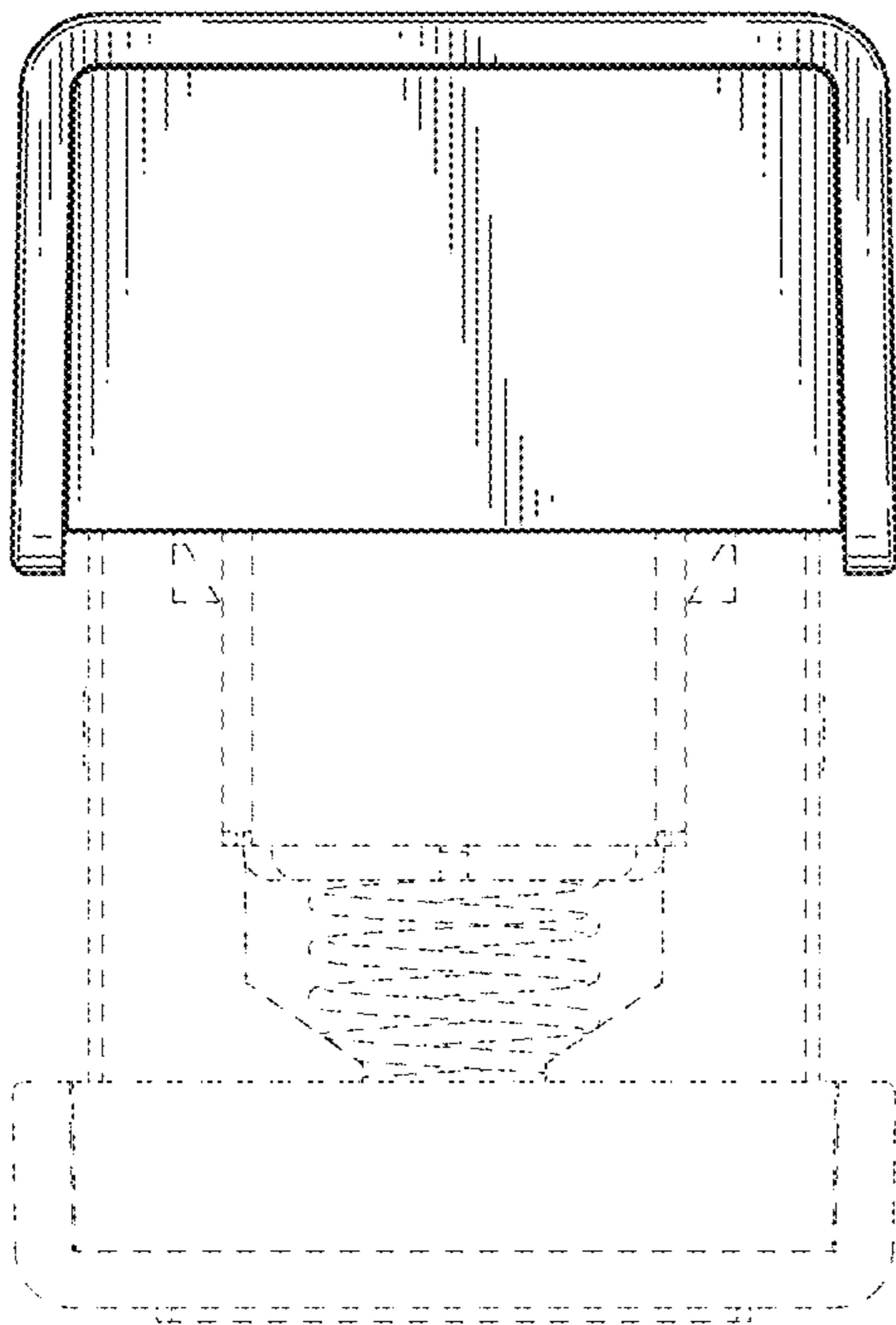


FIG. 4

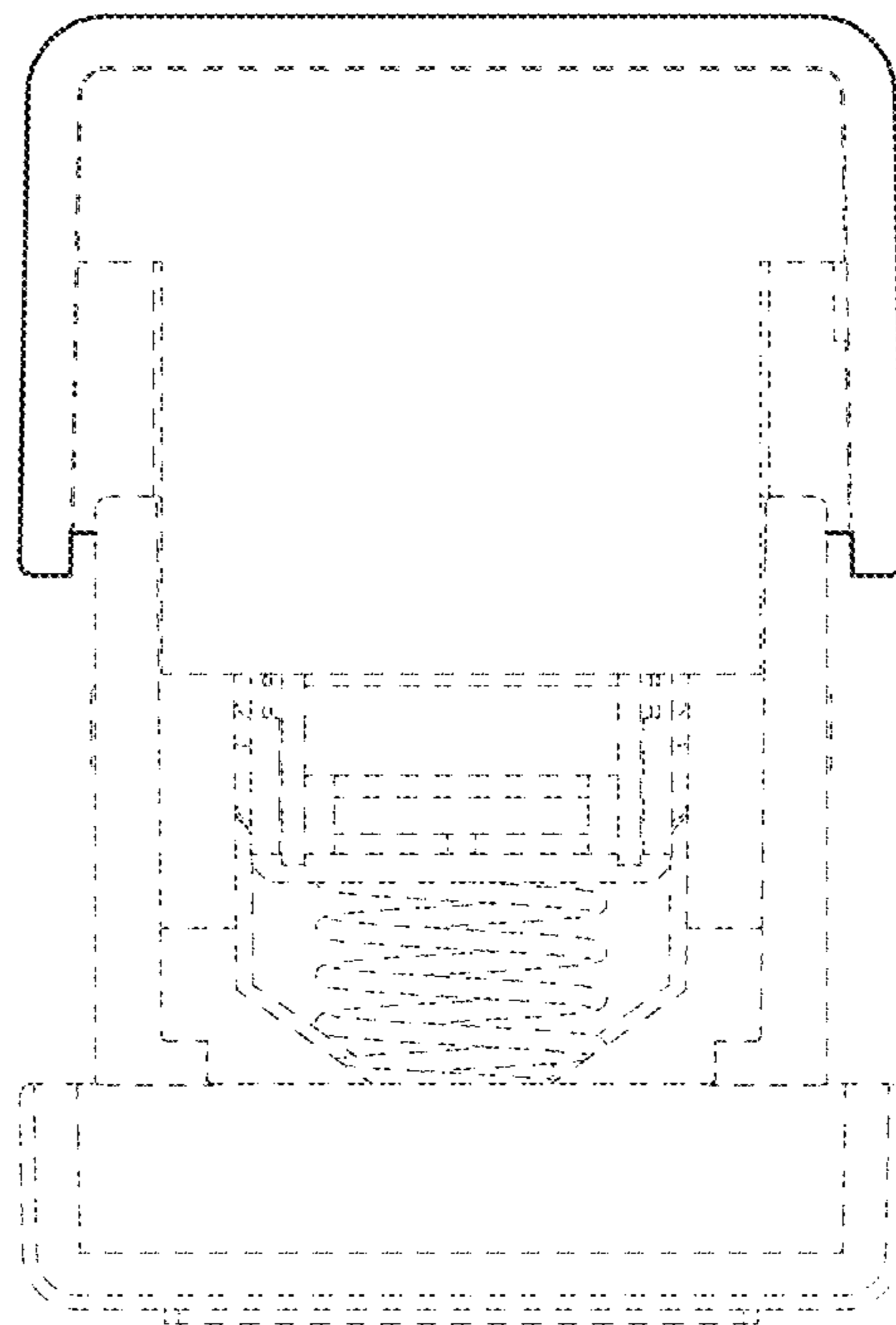


FIG. 5