



US00D706596S

(12) **United States Design Patent**
Moore, Jr.

(10) **Patent No.:** **US D706,596 S**
(45) **Date of Patent:** **** Jun. 10, 2014**

(54) **SHAFT FOR A HANDLED TOOL**
(71) Applicant: **J.S. Products, Inc.**, Las Vegas, NV (US)
(72) Inventor: **James E. Moore, Jr.**, Las Vegas, NV (US)
(73) Assignee: **J.S. Products, Inc.**, Las Vegas, NV (US)
(**) Term: **14 Years**
(21) Appl. No.: **29/448,711**

D491,785	S	*	6/2004	Anderson et al.	D8/83
D498,403	S	*	11/2004	Singh	D8/86
D503,606	S		4/2005	McKain		
D516,894	S	*	3/2006	Singh	D8/86
D610,615	S	*	2/2010	Li	D19/48
D615,832	S		5/2010	Patti		
D616,935	S	*	6/2010	Zhang	D19/48
7,766,585	B2	*	8/2010	Vasudeva et al.	408/226
8,016,523	B2	*	9/2011	Vasudeva et al.	408/226
8,333,134	B1	*	12/2012	Duffy	81/121.1
D685,422	S	*	7/2013	Busquets	D19/48
2002/0162429	A1	*	11/2002	Purkapile	81/490
2013/0239755	A1	*	9/2013	Khangar et al.	81/125

(22) Filed: **Mar. 13, 2013**
(51) **LOC (10) Cl.** **08-02**
(52) **U.S. Cl.**
USPC **D8/21**; D8/86
(58) **Field of Classification Search**
CPC B25B 13/06; B25B 15/00; B25B 15/001;
B25B 15/004; B25B 15/102; B25B 15/104;
B25B 19/00; B25B 23/00; B25G 1/085;
B23B 31/005
USPC D8/14, 21, 29, 70, 82, 85-87; 81/121.1,
81/125, 177.1, 436, 438-443, 460-461;
D15/139; D24/164, 166, 177, 184;
D19/48, 49, 51
See application file for complete search history.

OTHER PUBLICATIONS

Greenlee, A Textron Company, Made for the Trade!, "Nut Driver 1/2"x3" (POP)", <http://www.greenlee.com>, Nov. 4, 2013.

* cited by examiner

Primary Examiner — Susan E Krakower
Assistant Examiner — Roselynn Cody
(74) *Attorney, Agent, or Firm* — Weide & Miller, Ltd.

(57) **CLAIM**
The ornamental design for a shaft for a handled tool, as shown and described.

DESCRIPTION

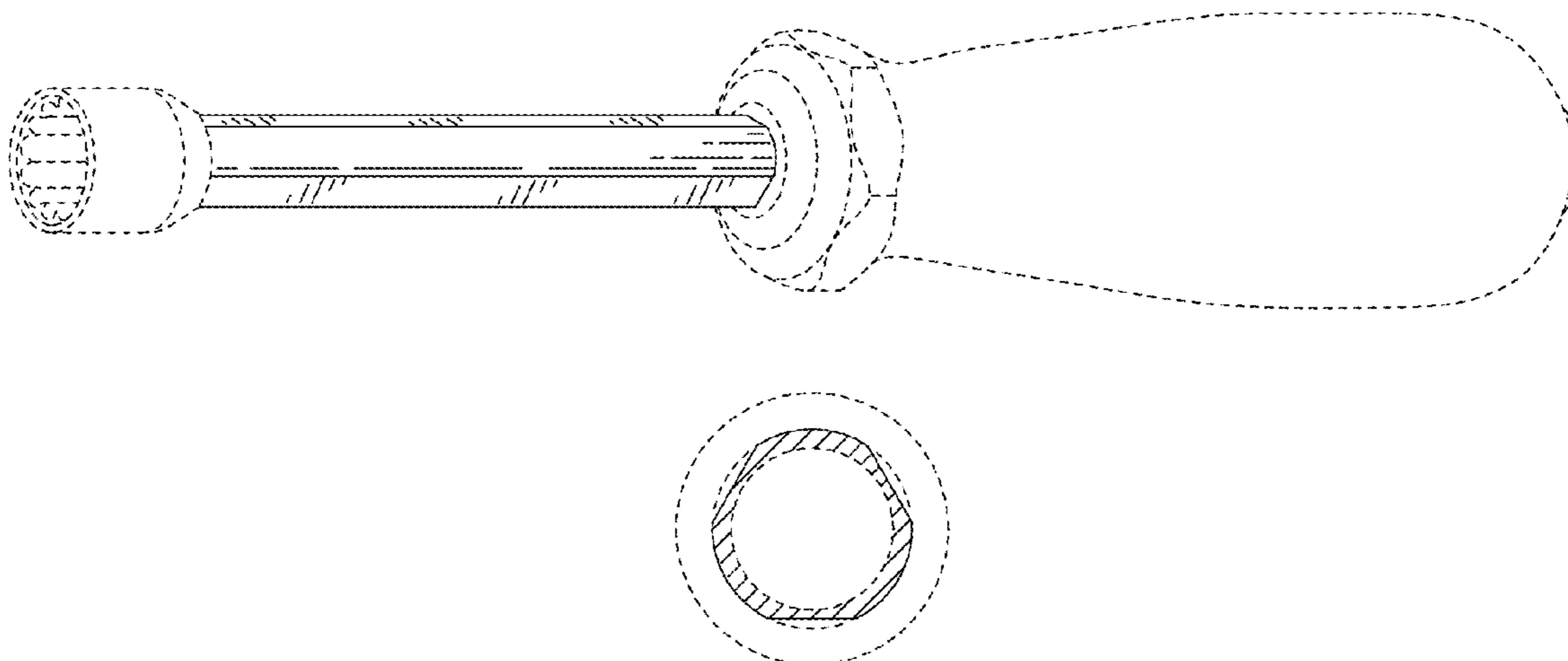
FIG. 1 is a perspective view of the shaft for a handled tool in accordance with the present invention;
FIG. 2 is a top view of the shaft for a handled tool;
FIG. 3 is a bottom view of the shaft for a handled tool;
FIG. 4 is a side view of the shaft for a handled tool; and,
FIG. 5 is a cross-sectional view of the shaft for a handled tool taken in the direction of lines 5-5 in FIG. 4.
The portions of the design shown in broken line—including the handle, the interior of the shaft, and the tool head—are for reference only and form no part of the claimed design.

1 Claim, 1 Drawing Sheet

(56) **References Cited**

U.S. PATENT DOCUMENTS

D188,972	S	*	10/1960	Young	D19/49
3,283,837	A	*	11/1966	McKain	175/414
4,307,634	A	*	12/1981	Gentry	81/185
4,858,504	A	*	8/1989	Tsai	81/436
D304,601	S	*	11/1989	Alskog	D19/49
D310,472	S		9/1990	Mader et al.		
D338,038	S	*	8/1993	Oka et al.	D19/48
D352,648	S	*	11/1994	Brewer, III	D8/87
D409,062	S		5/1999	Braley		



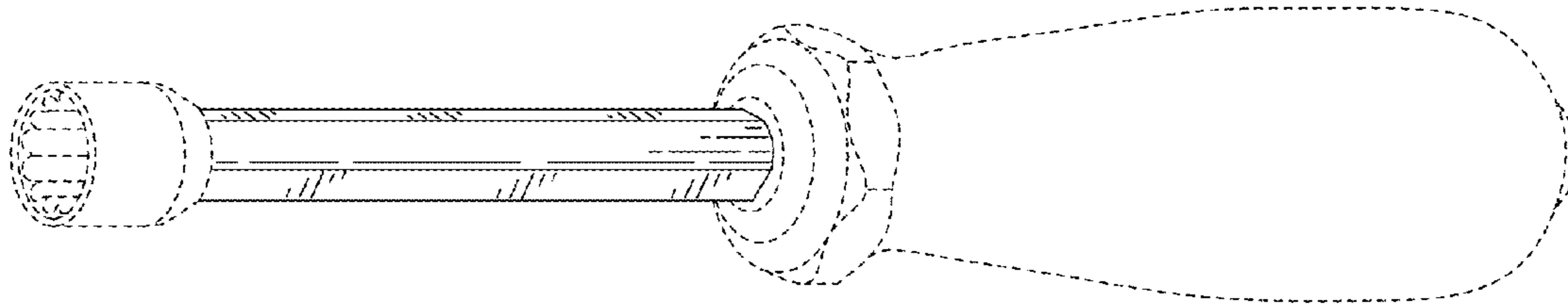


Fig. 1

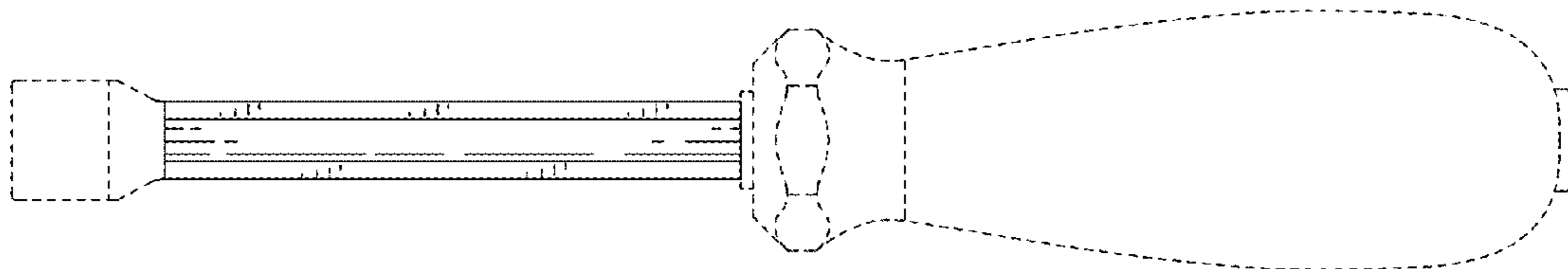


Fig. 2

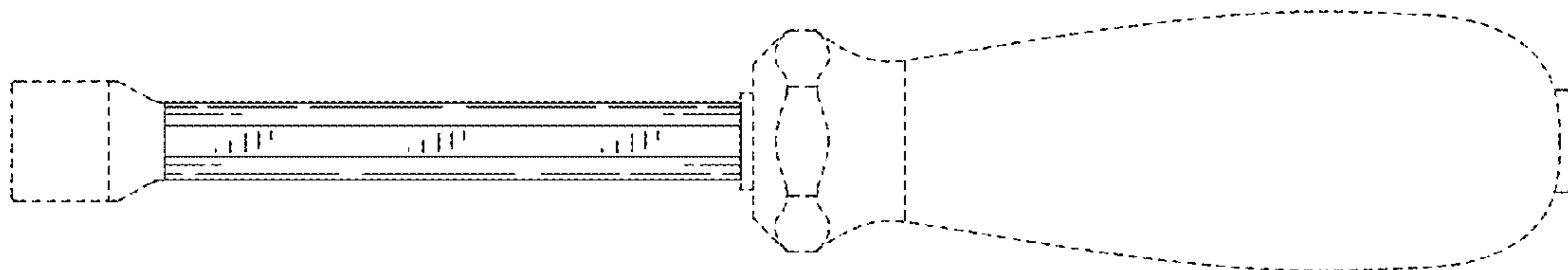


Fig. 3

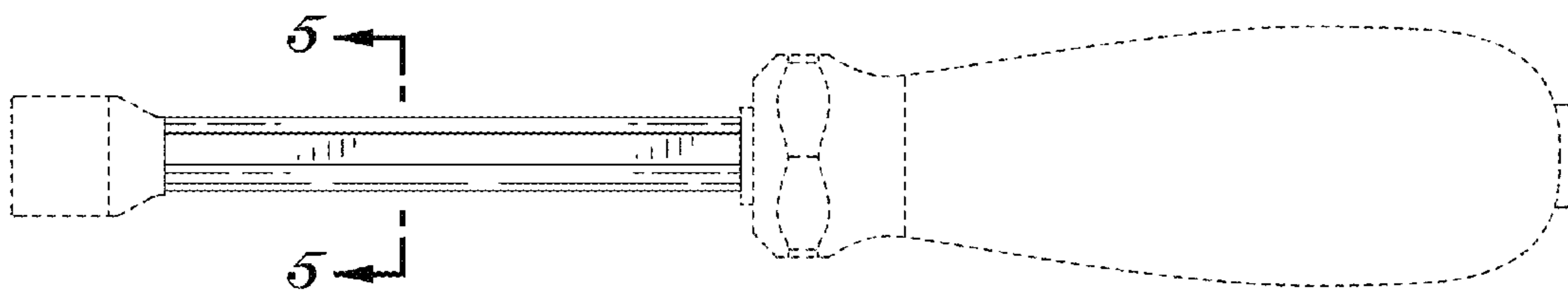


Fig. 4

Fig. 5

