



US00D706594S

(12) **United States Design Patent**  
**Workman et al.**

(10) **Patent No.:** **US D706,594 S**  
(45) **Date of Patent:** **\*\* Jun. 10, 2014**

(54) **SHOVEL HANDLE**

D592,920 S \* 5/2009 Boies et al. .... D8/10  
D664,020 S \* 7/2012 Kopp et al. .... D8/107  
D673,105 S \* 12/2012 Spain ..... D12/215

(71) Applicants: **Bradley Workman**, Snellville, GA  
(US); **David Jackson**, Gainesville, GA  
(US); **Mark Dorenkott**, Westlake, OH  
(US); **Arie Jusidman**, Granada (MX)

\* cited by examiner

*Primary Examiner* — Sheryl Lane

(72) Inventors: **Bradley Workman**, Snellville, GA  
(US); **David Jackson**, Gainesville, GA  
(US); **Mark Dorenkott**, Westlake, OH  
(US); **Arie Jusidman**, Granada (MX)

(74) *Attorney, Agent, or Firm* — Crose Law LLC; Bradley D. Crose

(73) Assignee: **Truper S.A. de C.V.**, Mexico City (MX)

(57) **CLAIM**

The ornamental design for a shovel handle, as shown and described.

(\*\*) Term: **14 Years**

**DESCRIPTION**

(21) Appl. No.: **29/470,182**

FIG. 1 is a first perspective view, generally from a left side, of a shovel handle, illustrating the new, original, and ornamental design;

(22) Filed: **Oct. 17, 2013**

FIG. 2 is a second perspective view, generally from a right side, of a shovel handle, illustrating the new, original, and ornamental design;

(51) **LOC (10) Cl.** ..... **08-01**

(52) **U.S. Cl.**  
USPC ..... **D8/10; D8/107**

(58) **Field of Classification Search**  
CPC ..... A01B 1/00; A01B 1/02; A01B 1/04  
USPC ..... D8/1, 10, 107; 294/49, 53.5, 54.5, 51,  
294/58, 56, 57, 55.5; 56/400.1  
See application file for complete search history.

FIG. 3 is a first side view of a shovel handle, illustrating the new, original, and ornamental design;

FIG. 4 is a second side view of a shovel handle, illustrating the new, original, and ornamental design;

FIG. 5 is a top view of a shovel handle, illustrating the new, original, and ornamental design;

FIG. 6 is a bottom view of a shovel handle, illustrating the new, original, and ornamental design;

FIG. 7 is a first end view of a shovel handle, illustrating the new, original, and ornamental design; and,

FIG. 8 is a second end view of a shovel handle, illustrating the new, original, and ornamental design.

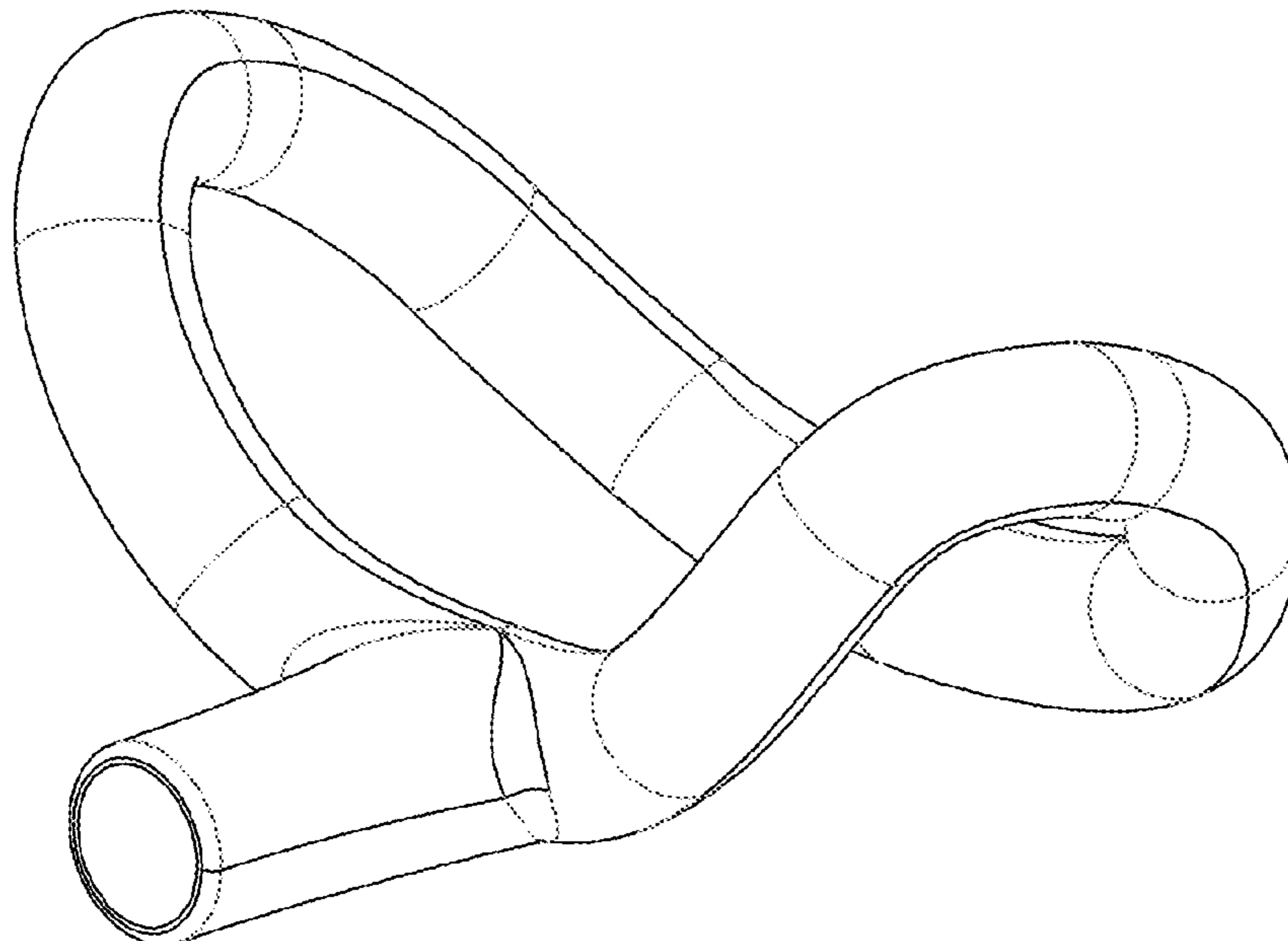
In the drawings, the broken lines depict portions of the design that form no part of the claim.

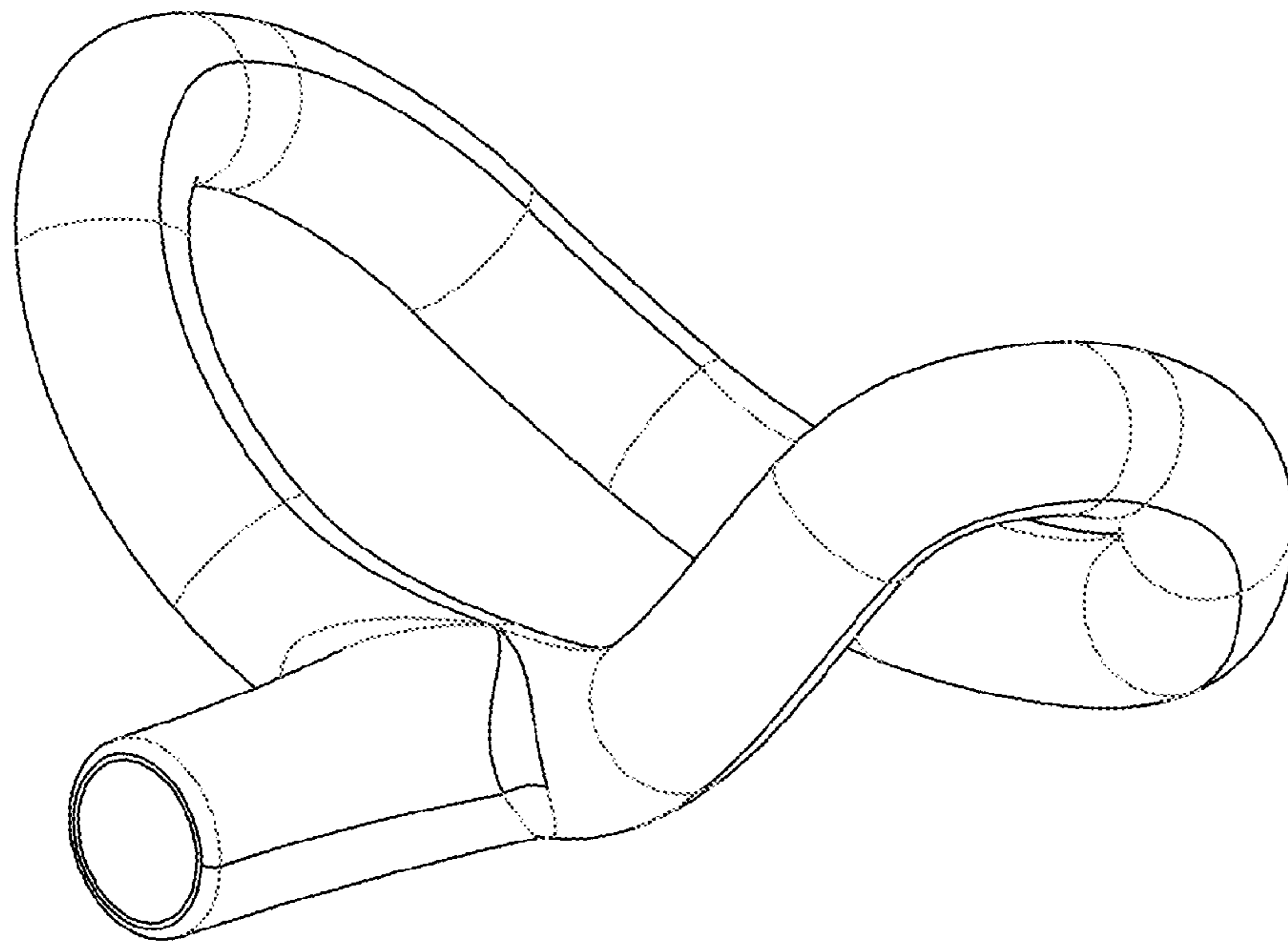
(56) **References Cited**

U.S. PATENT DOCUMENTS

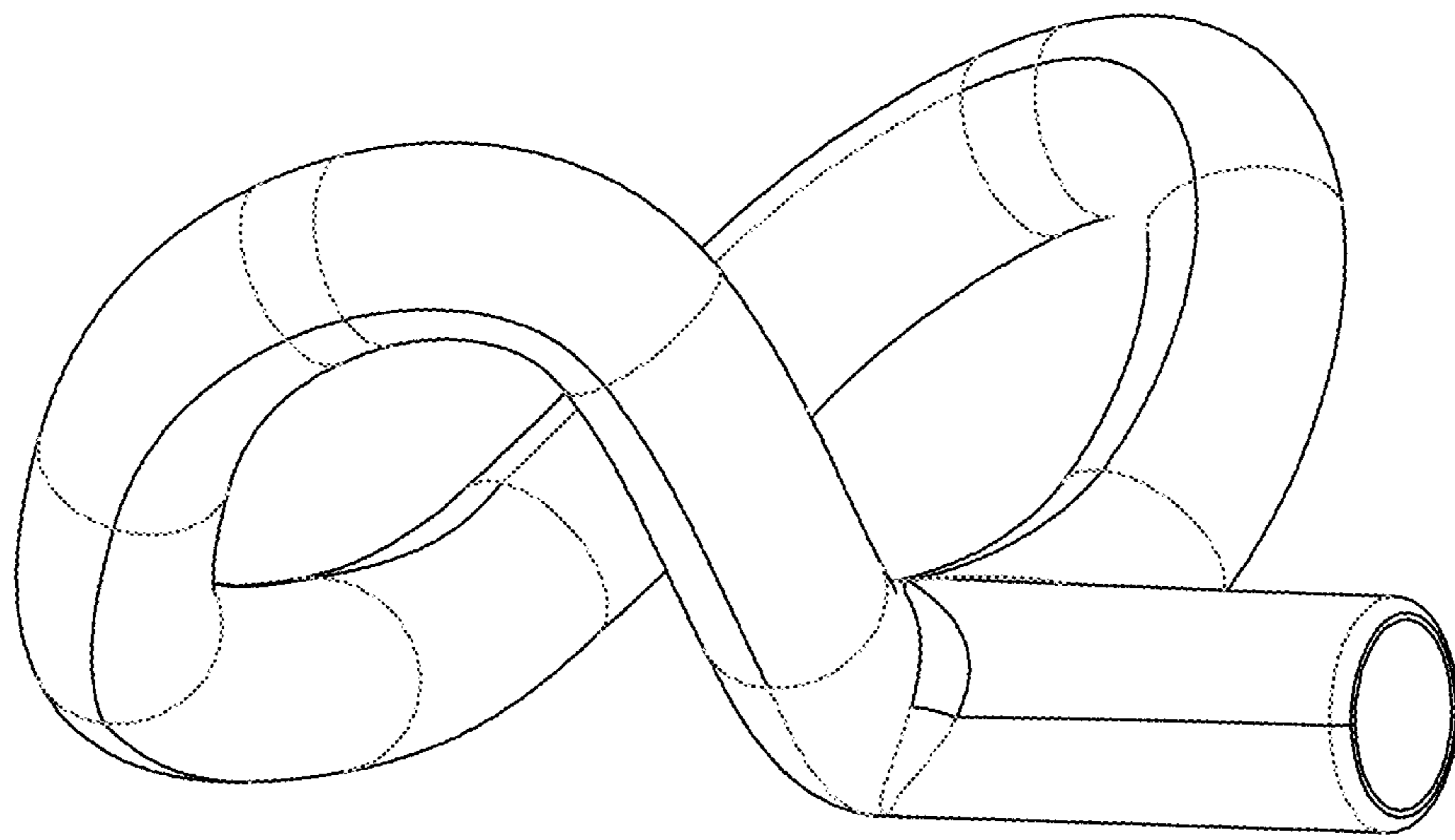
D197,375 S \* 1/1964 Thomas ..... D8/10  
D208,997 S \* 10/1967 Anderson ..... D8/10  
D331,652 S \* 12/1992 Wu ..... D34/27  
D481,917 S \* 11/2003 McLean ..... D8/10  
D548,550 S \* 8/2007 Yeh ..... D8/10  
D557,101 S \* 12/2007 Grishaber ..... D8/107

**1 Claim, 8 Drawing Sheets**

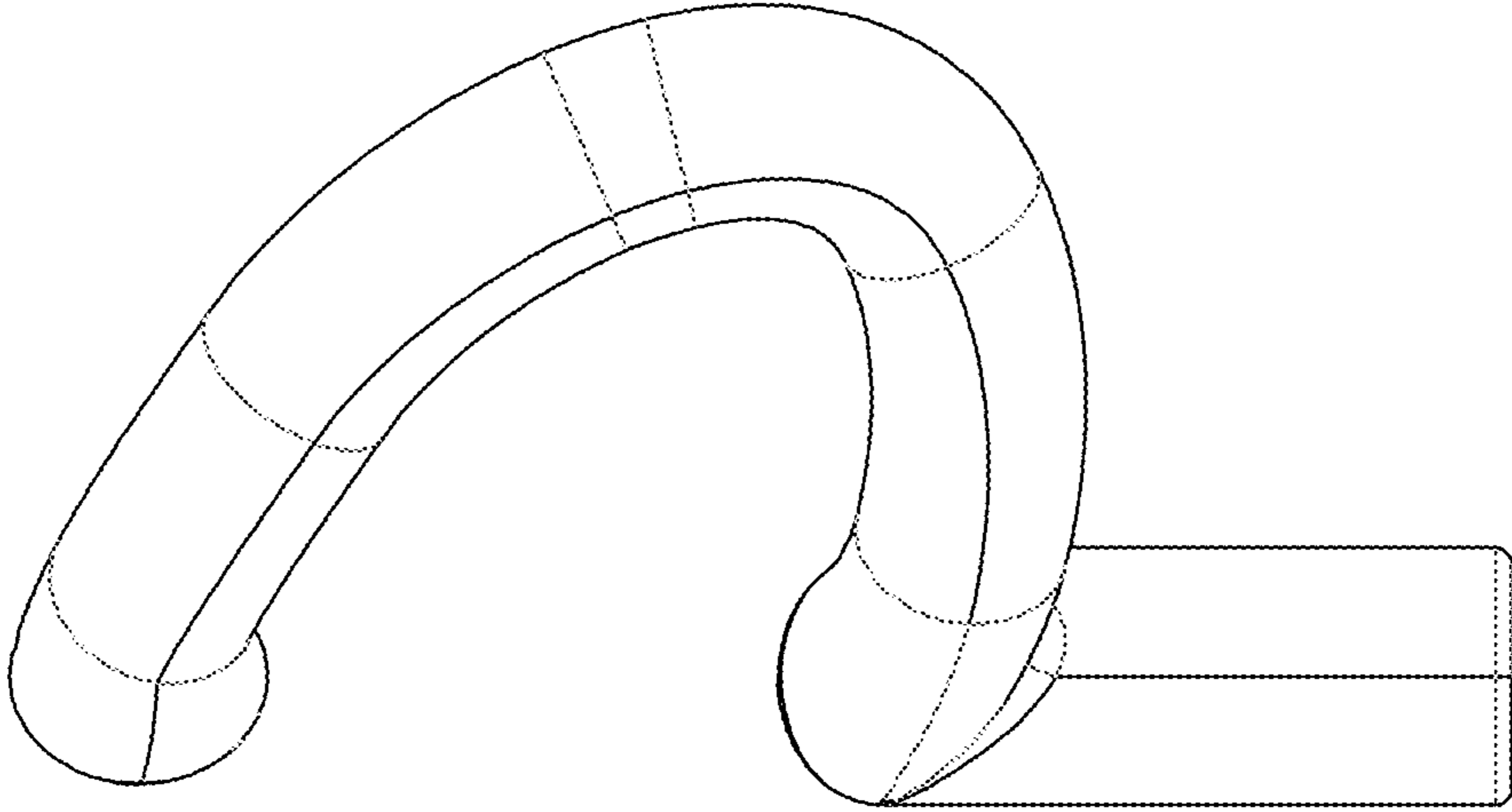




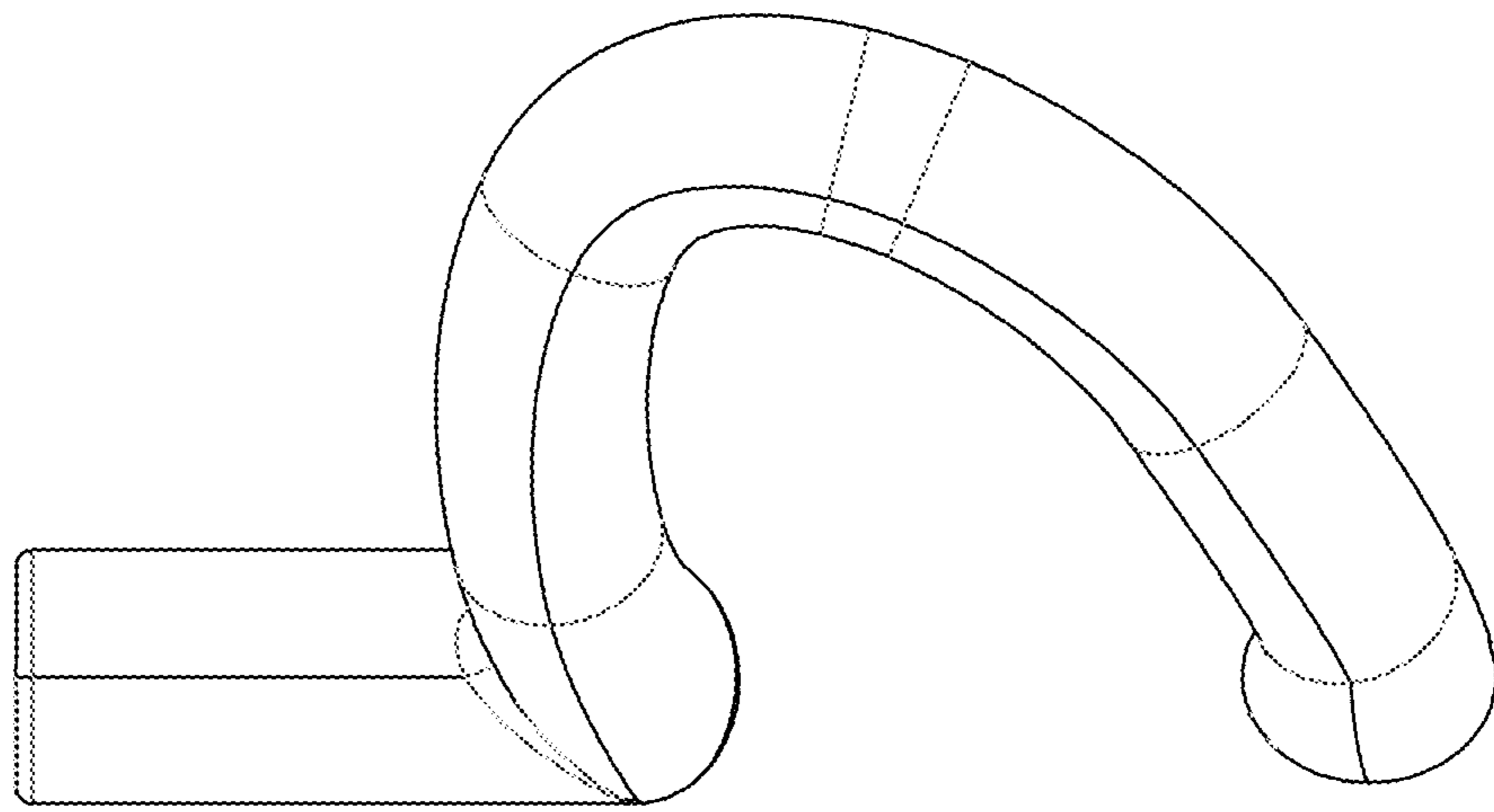
**FIG. 1**



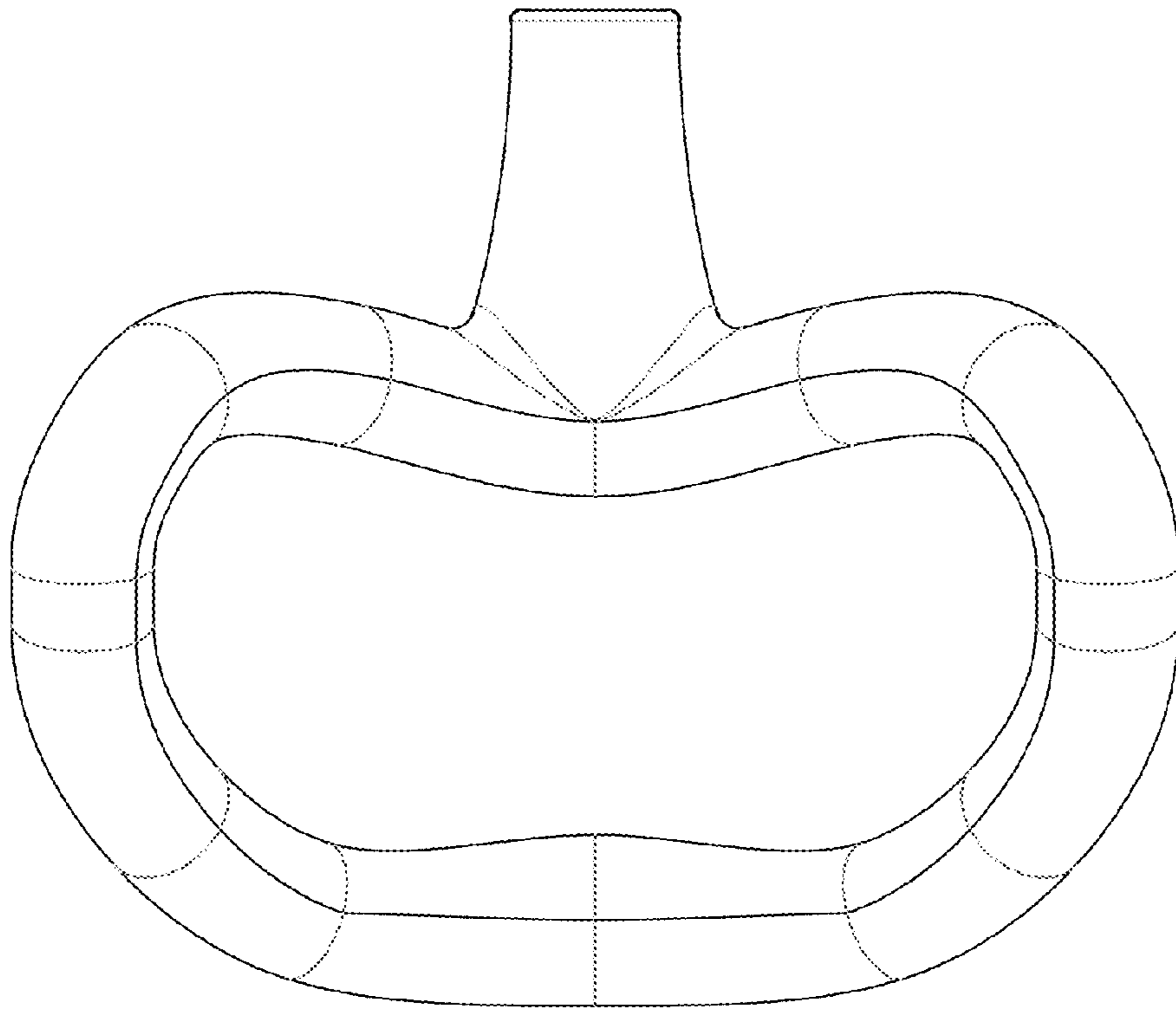
**FIG. 2**



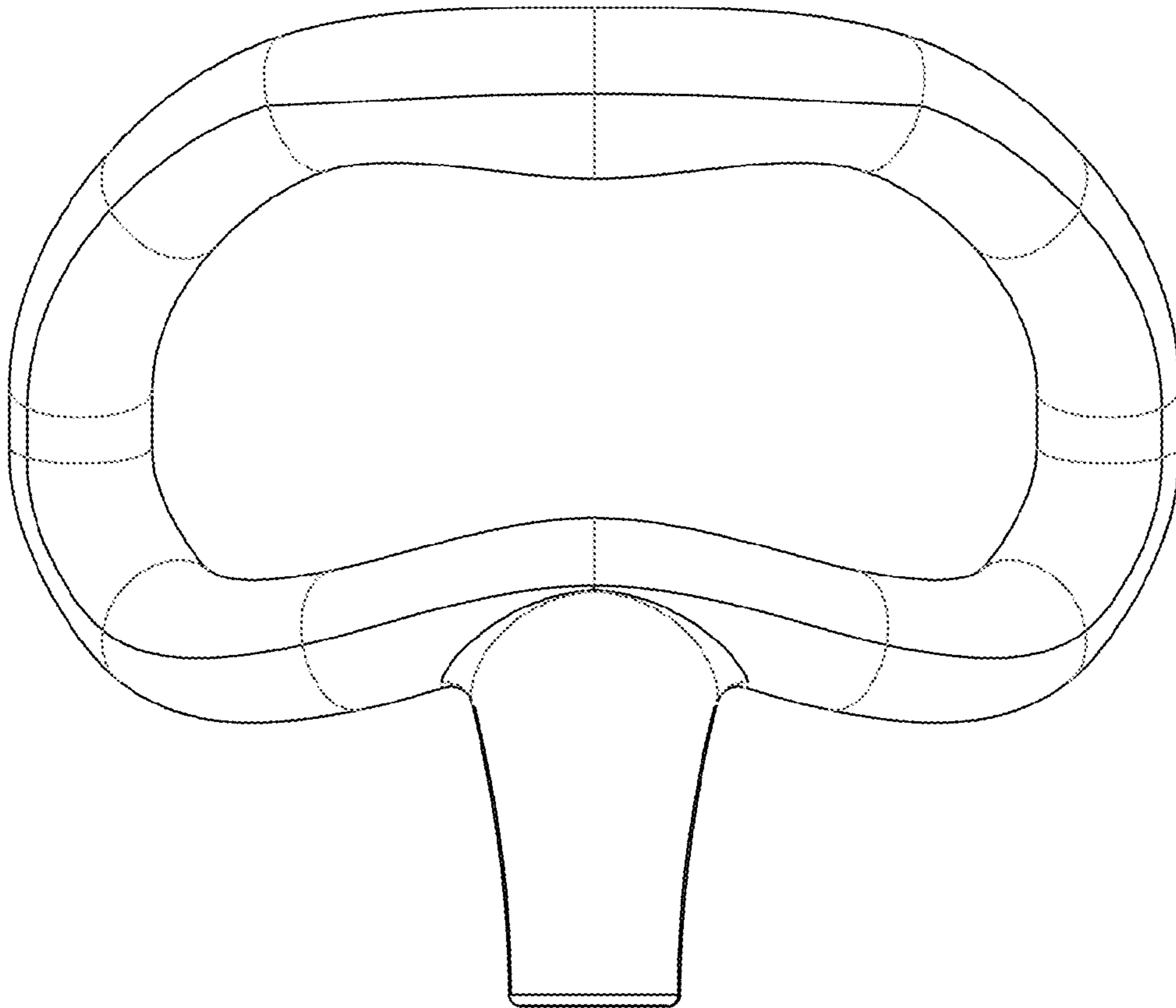
**FIG. 3**



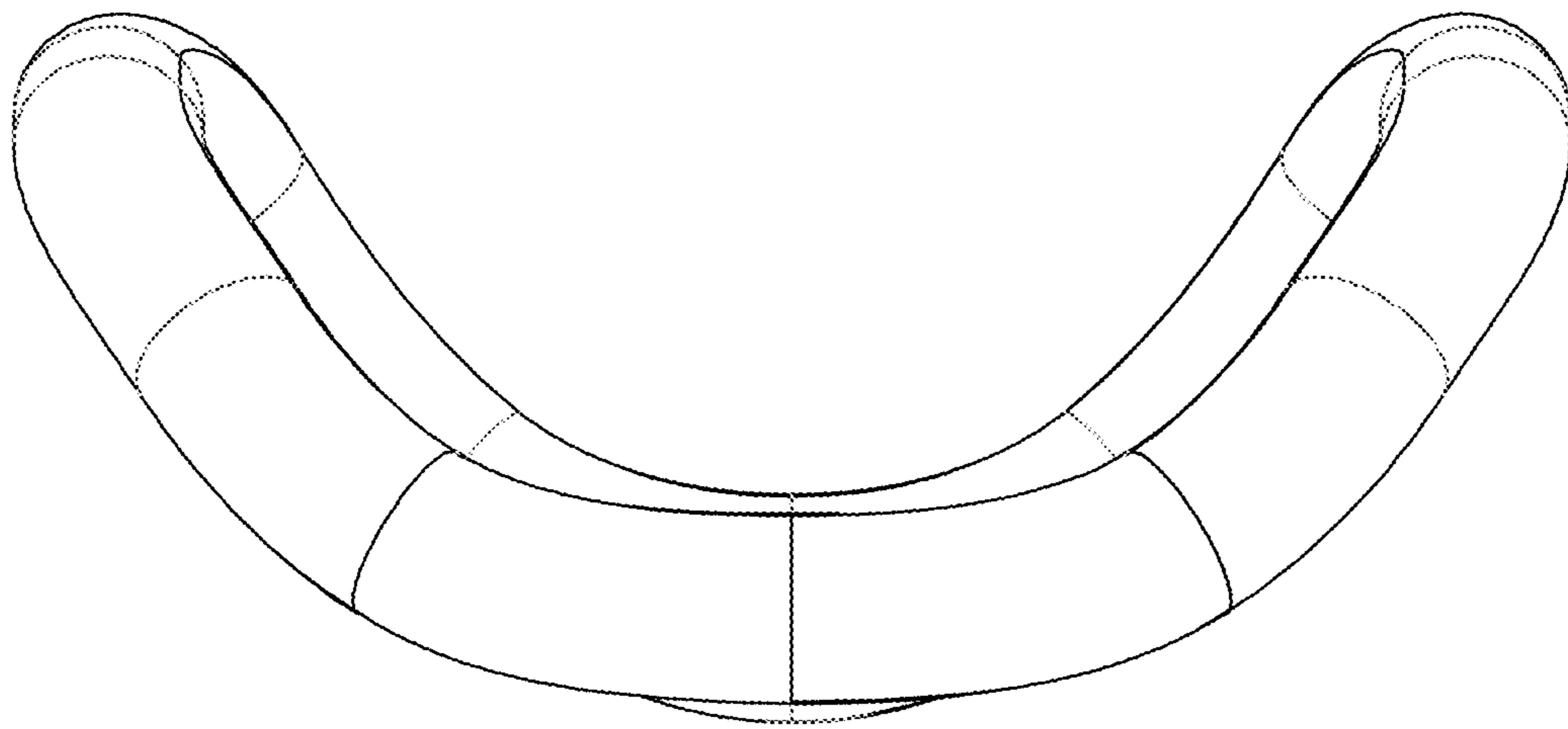
**FIG. 4**



**FIG. 5**

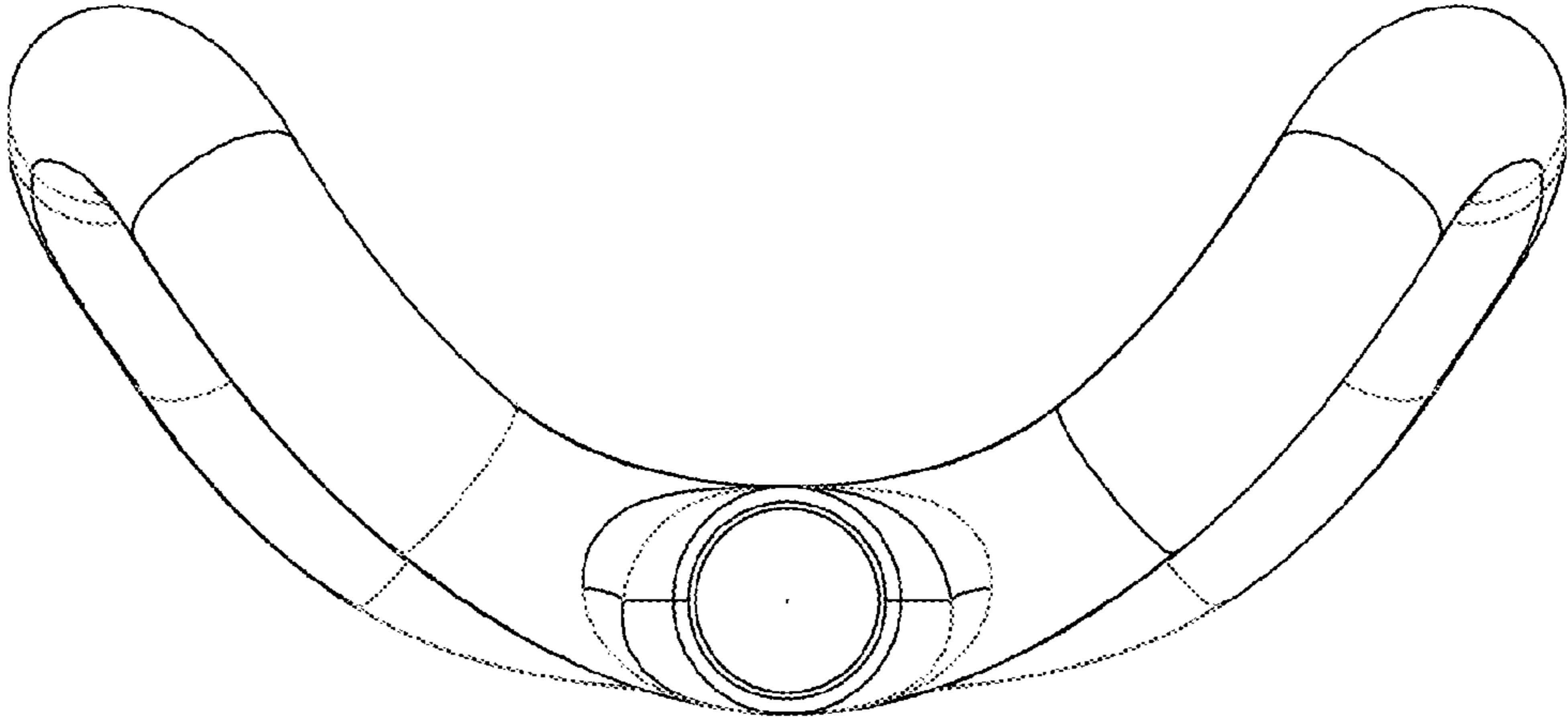


**FIG. 6**



**FIG. 7**





**FIG. 8**