

US00D706593S

(12) **United States Design Patent**  
**Meiller et al.**

(10) **Patent No.:** **US D706,593 S**  
(45) **Date of Patent:** **\*\* Jun. 10, 2014**

(54) **FOLDING SAW**

FOREIGN PATENT DOCUMENTS

(71) Applicant: **Fiskars Brands, Inc.**, Madison, WI (US)  
(72) Inventors: **James Meiller**, Fitchburg, WI (US);  
**Colin Roberts**, Stevens Point, WI (US);  
**Daniel J. Lipscomb**, Prairie du Sac, WI (US)

DE 30069 68 A1 9/1981  
DE 298137 62 U1 8/1999  
EP 3 969 38 A1 11/1990  
FR 2732919 A1 10/1996

(73) Assignee: **Fiskars Brands, Inc.**, Madison, WI (US)

OTHER PUBLICATIONS

U.S. Appl. No. 29/388,574, filed Mar. 30, 2011, Block et al.  
U.S. Appl. No. 29/414,264, filed Feb. 27, 2012, Masalin et al.

(\*\*) Term: **14 Years**

(Continued)

(21) Appl. No.: **29/465,008**

*Primary Examiner* — Philip S Hyder

(22) Filed: **Aug. 22, 2013**

*Assistant Examiner* — Roselynn Cody

(51) **LOC (10) Cl.** ..... **08-01**

(74) *Attorney, Agent, or Firm* — Foley & Lardner LLP

(52) **U.S. Cl.**

(57) **CLAIM**

USPC ..... **D8/9; D8/97**

We claim the ornamental design for a folding saw, as shown and described.

(58) **Field of Classification Search**

**DESCRIPTION**

USPC ..... D8/7, 9, 95, 97-99, 107; 7/148, 149;  
30/144, 166.3, 343, 350, 510, 514,  
30/517-518

See application file for complete search history.

FIG. 1 is a front, top perspective view of the claimed design with a blade in a stowed position;  
FIG. 2 is a rear, bottom perspective view of the design of FIG. 1;

(56) **References Cited**

U.S. PATENT DOCUMENTS

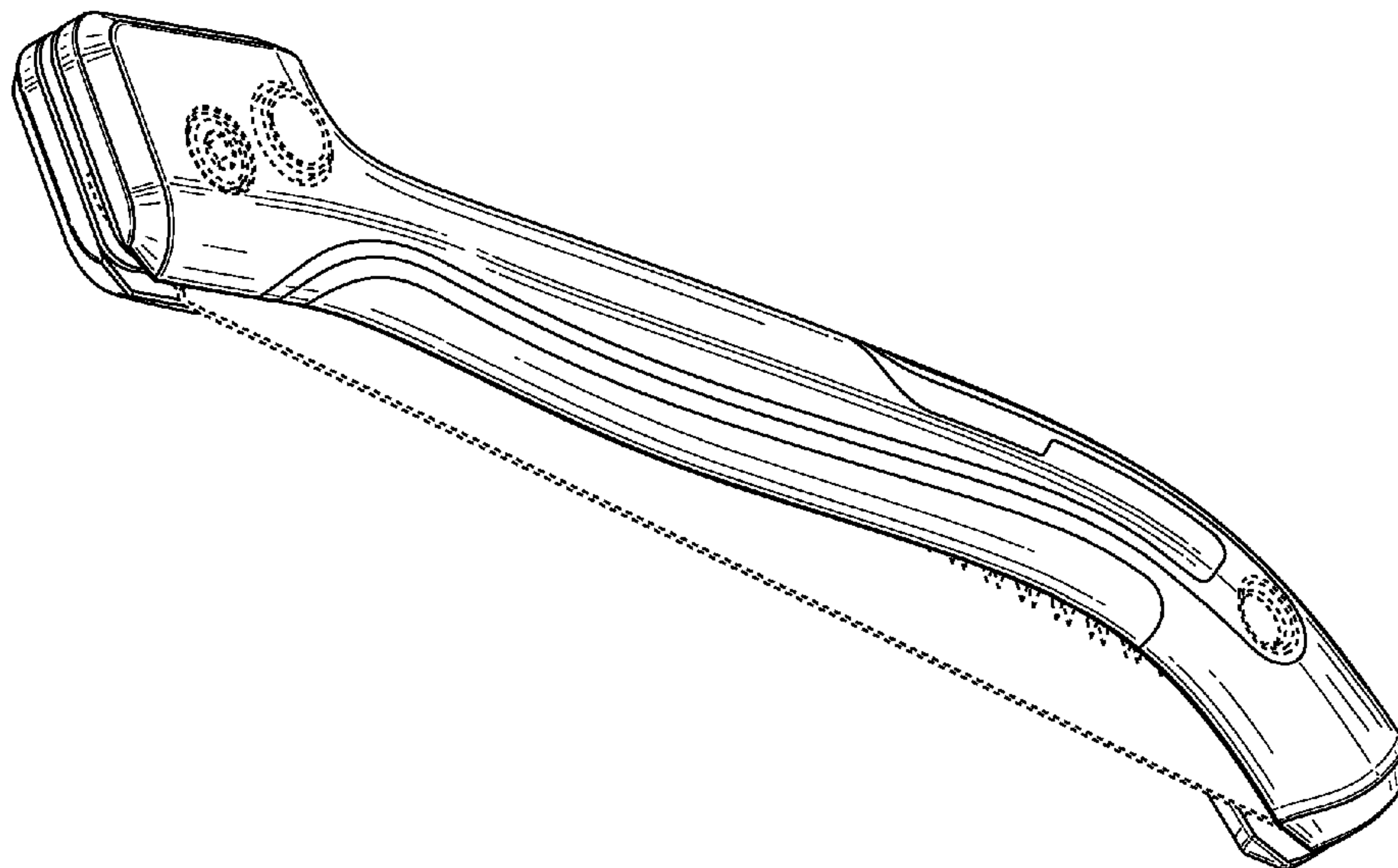
1,748,637 A 2/1930 Crum  
D357,166 S 4/1995 Concari  
5,765,289 A 6/1998 Schulz et al.  
5,822,867 A 10/1998 Sakai  
5,848,473 A 12/1998 Brandenburg, Jr.  
D414,670 S 10/1999 Linden  
D430,785 S \* 9/2000 Eriksson et al. .... D8/97  
D436,013 S \* 1/2001 Eriksson et al. .... D8/95  
D444,685 S 7/2001 Shenkel et al.  
D453,291 S \* 2/2002 Huang ..... D8/97

FIG. 3 is a top view of the design of FIG. 1;  
FIG. 4 is a bottom view of the design of FIG. 1;  
FIG. 5 is a right side view of the design of FIG. 1;  
FIG. 6 is a left side view of the design of FIG. 1;  
FIG. 7 is a rear view of the design of FIG. 1;  
FIG. 8 is a front view of the design of FIG. 1;  
FIG. 9 is a rear view of the design of FIG. 7 with the blade in one extended position; and,  
FIG. 10 is a rear view of the design of FIG. 7 with the blade in another extended position.

The broken lines in the drawings are for illustrative purposes only and form no part of the claimed design.

(Continued)

**1 Claim, 9 Drawing Sheets**



(56)

**References Cited**

**OTHER PUBLICATIONS**

U.S. PATENT DOCUMENTS

D472,786	S	4/2003	Cech et al.	
D500,240	S	12/2004	Fancelli	
D500,656	S	1/2005	Fancelli	
D508,193	S *	8/2005	Tran .....	D8/95
D509,123	S *	9/2005	Tran .....	D8/95
D513,956	S *	1/2006	Tran .....	D8/95
D584,871	S *	1/2009	Arvinte et al. ....	D32/49
2006/0265883	A1	11/2006	Di Paolo	

European Search Report for Application No. 12182146.6-2313,  
dated Nov. 20, 2012, 5 pages.

Fiskars Garden and Camping Saw with belt clip, Wood Preparation  
Products, Fiskars UK, date retrieved May 18, 2012, 1 page.

\* cited by examiner

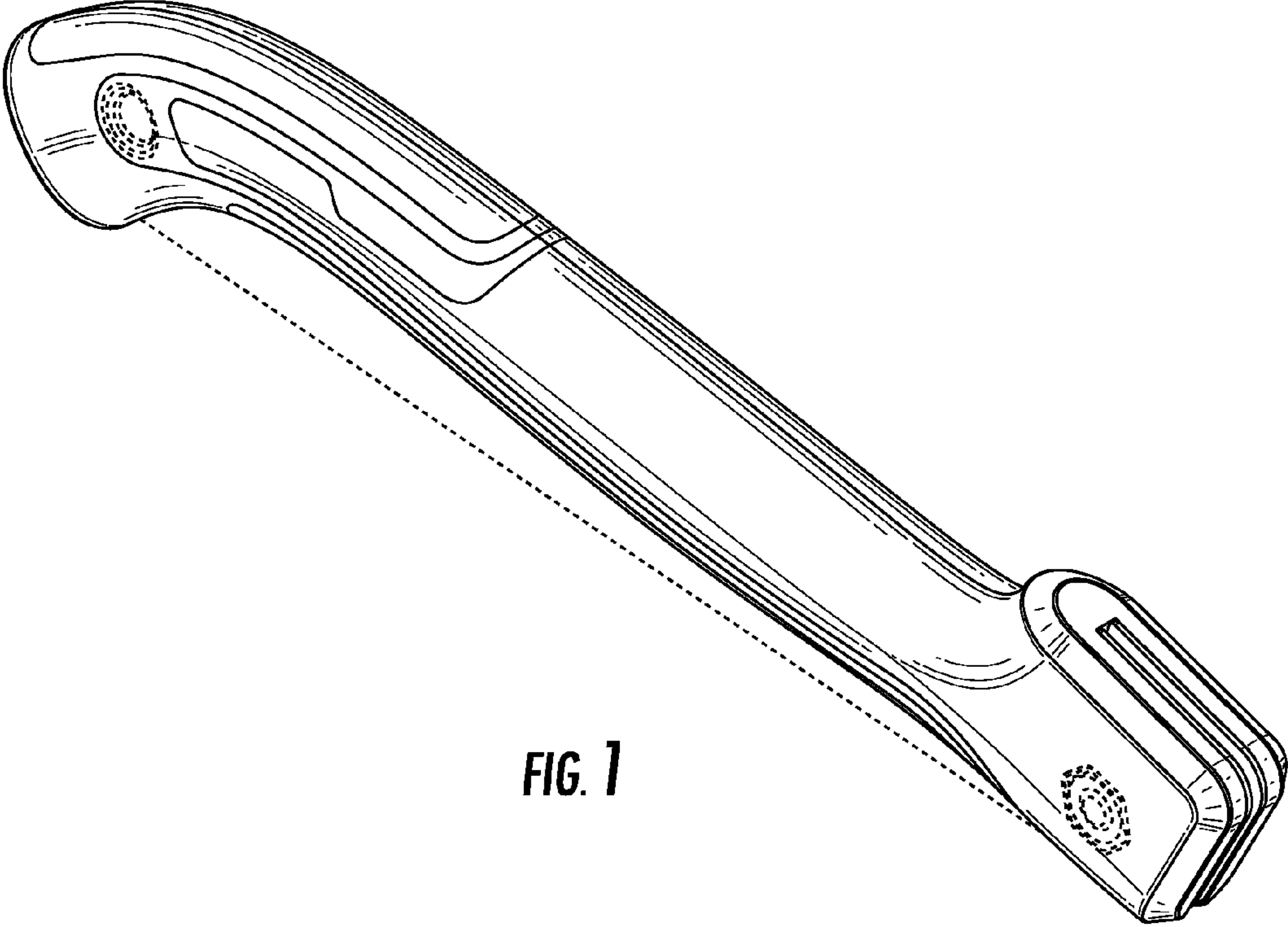


FIG. 1

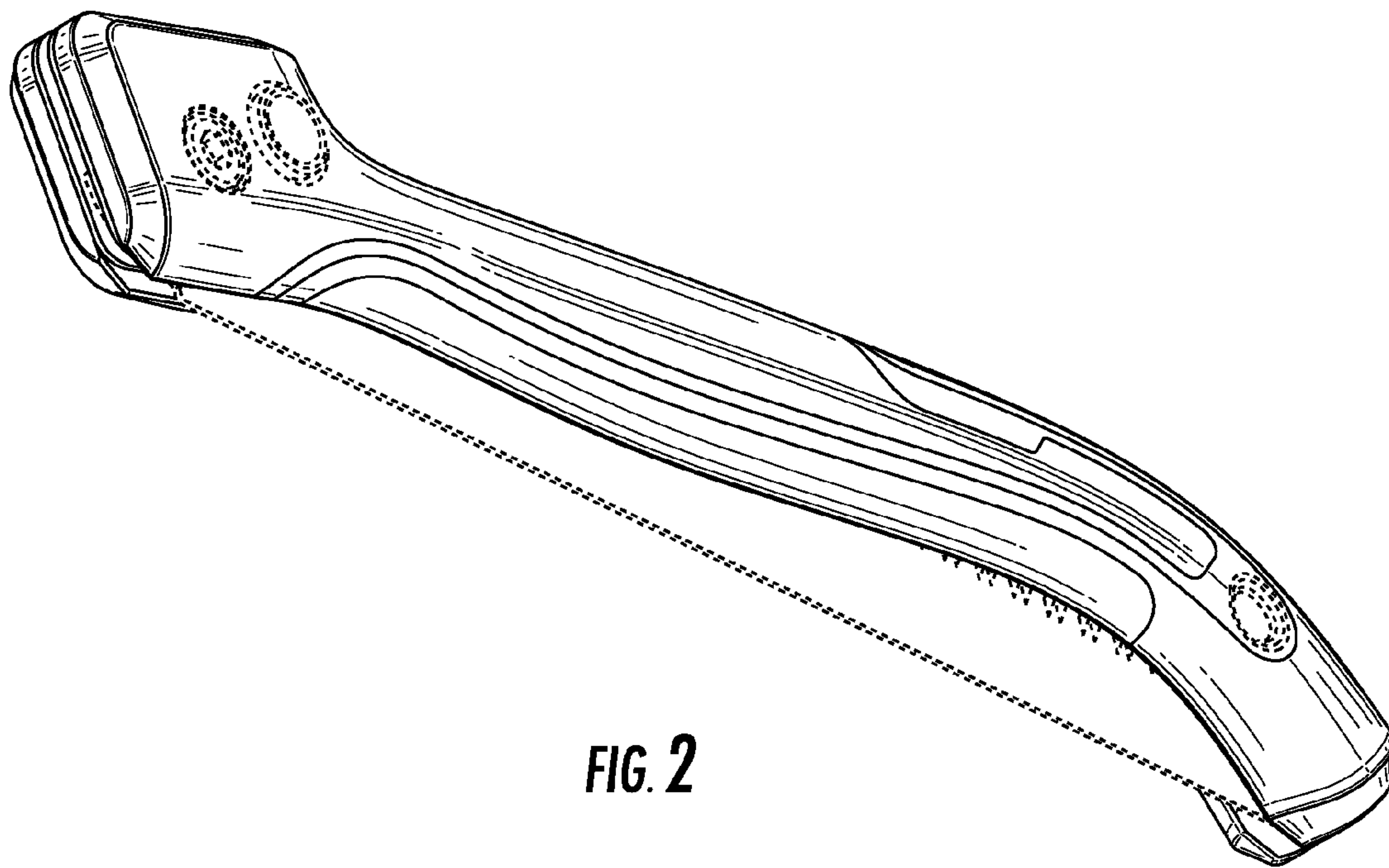
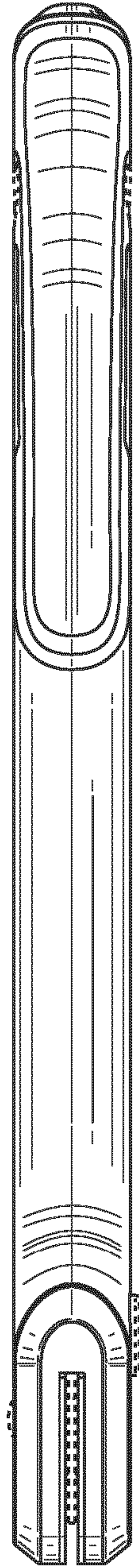
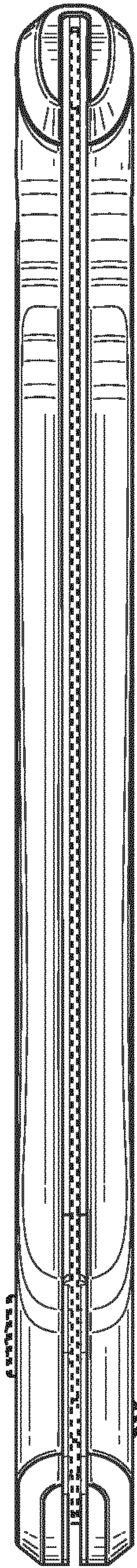


FIG. 2

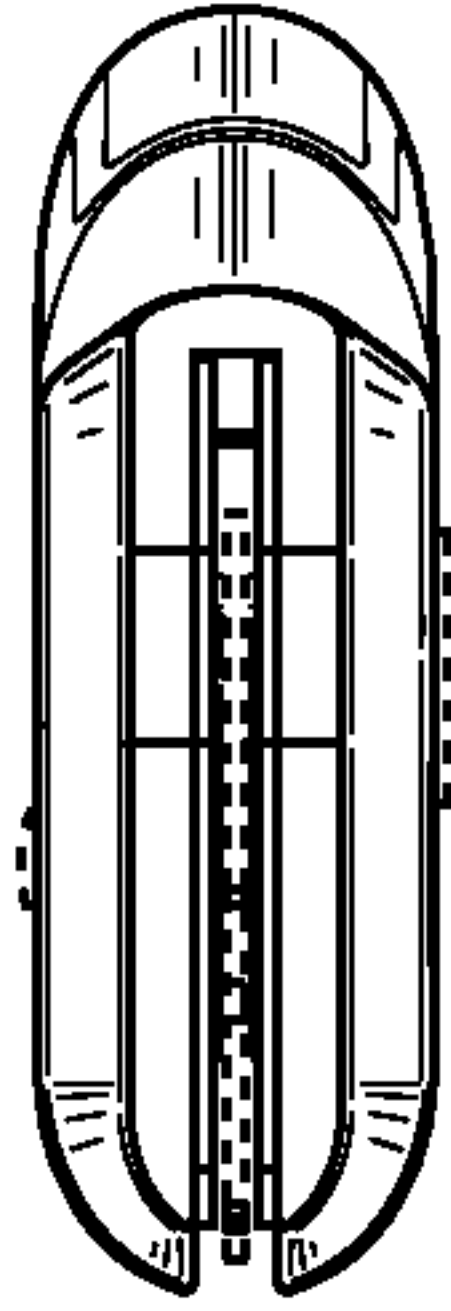


**FIG. 3**

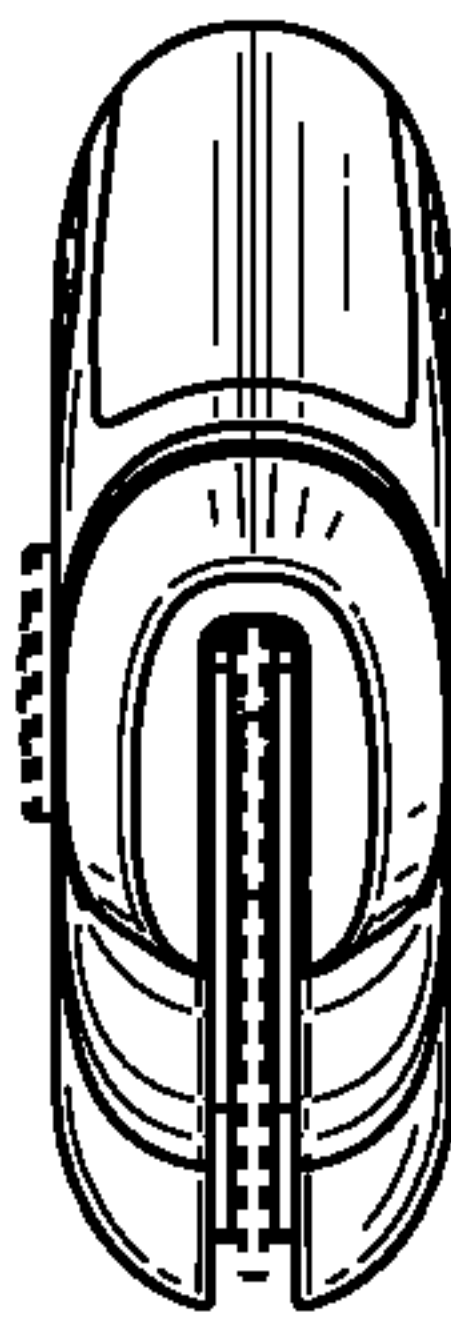




**FIG. 4**



**FIG. 5**



**FIG. 6**

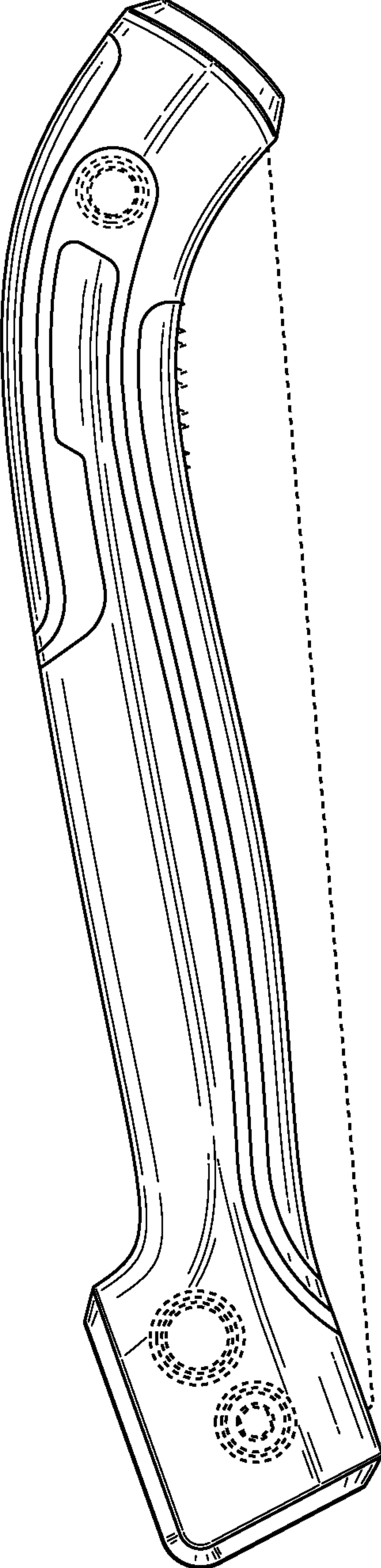


FIG. 7



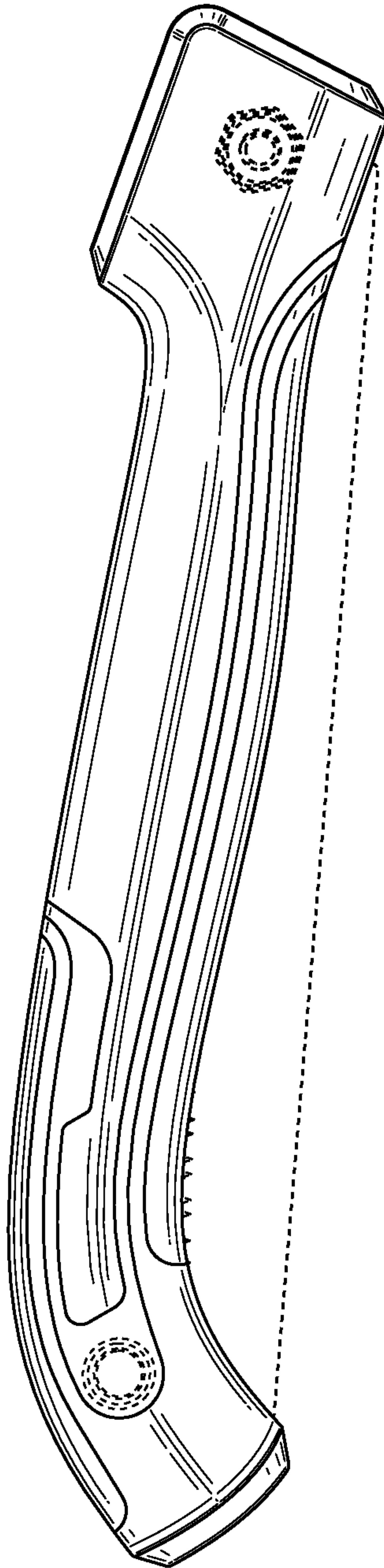


FIG. 8

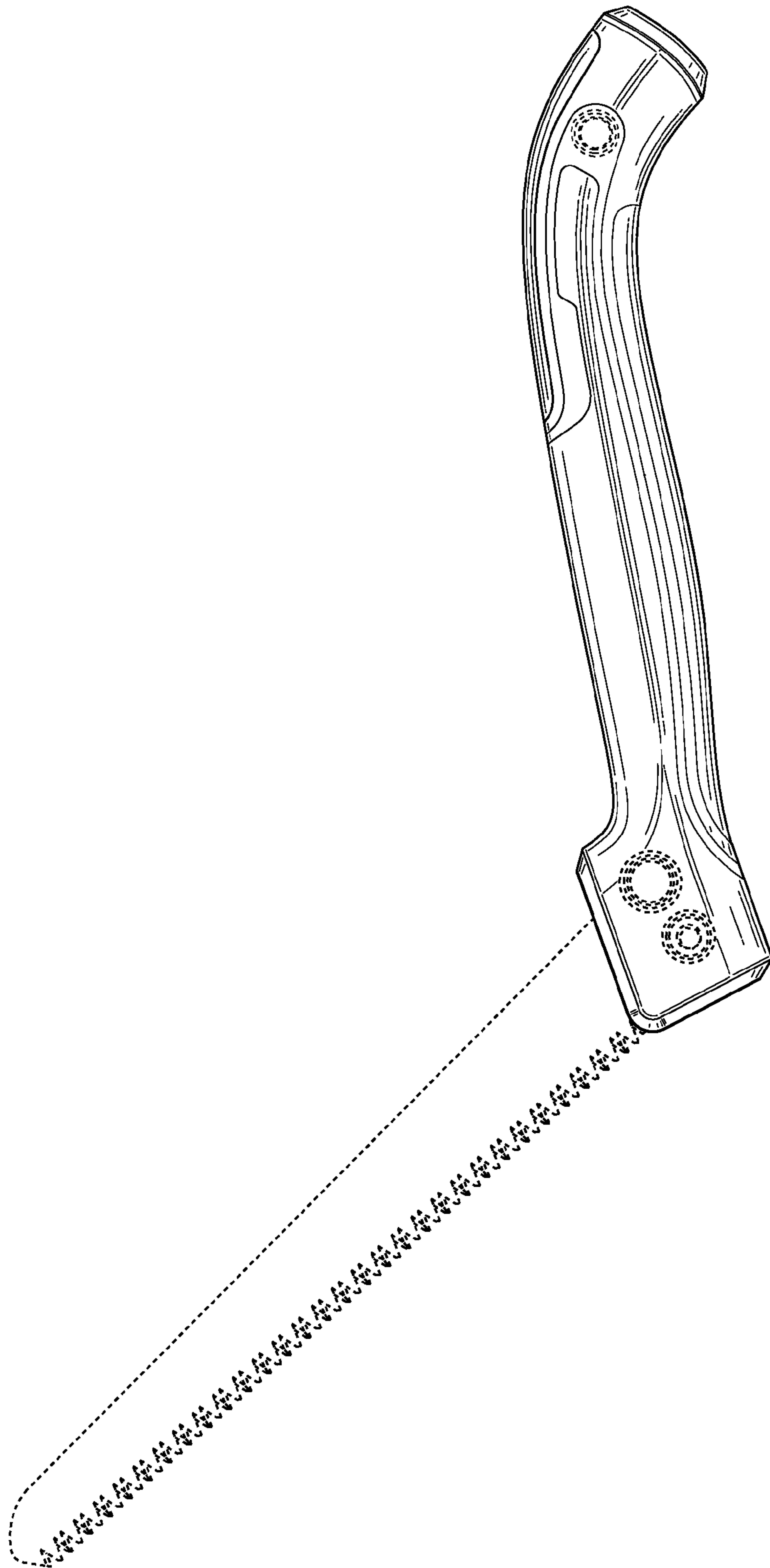


FIG. 9

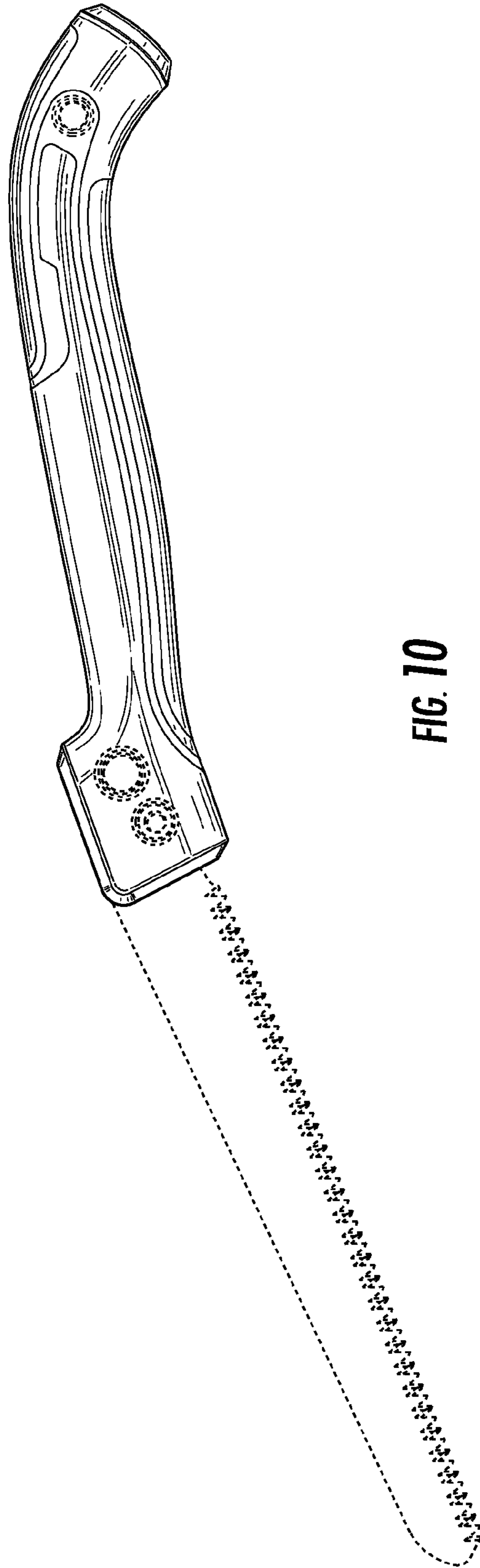


FIG. 10