



US00D706582S

(12) **United States Design Patent**
Oas

(10) **Patent No.:** **US D706,582 S**
(45) **Date of Patent:** **** Jun. 10, 2014**

(54) **BOTTLE**

(75) Inventor: **Daniel Oas**, Irwindale, CA (US)

(73) Assignee: **Calibre International, LLC**, Irwindale, CA (US)

(**) Term: **14 Years**

(21) Appl. No.: **29/374,542**

(22) Filed: **Aug. 29, 2011**

(51) **LOC (10) Cl.** **07-01**

(52) **U.S. Cl.**
USPC **D7/510**

(58) **Field of Classification Search**

USPC D7/510, 509, 511, 533, 536, 523, 602,
D7/629, 612; 220/737, 715, 592.16,
220/592.17; 215/378, 379, 315; D9/447,
D9/450, 443, 523, 525, 529, 504
See application file for complete search history.

(56) **References Cited**

U.S. PATENT DOCUMENTS

D412,087 S * 7/1999 Spencer D7/510
D464,849 S * 10/2002 Norris et al. D7/523
D493,068 S * 7/2004 Slater et al. D7/510
D591,108 S * 4/2009 Pesach et al. D7/510
D605,517 S * 12/2009 Caldwell D9/500

D618,509 S * 6/2010 Aarnoudse et al. D7/510
D633,745 S * 3/2011 Ross D7/300.1
D649,402 S * 11/2011 Gilbert et al. D7/510
D652,254 S * 1/2012 Dancsecs D7/510
D660,082 S * 5/2012 Wahl D7/510
D662,419 S * 6/2012 Potts D9/500
D667,272 S * 9/2012 Fishman et al. D7/532
D675,063 S * 1/2013 Wahl D7/510

* cited by examiner

Primary Examiner — Cynthia Underwood

(74) *Attorney, Agent, or Firm* — Thomas I. Rozsa

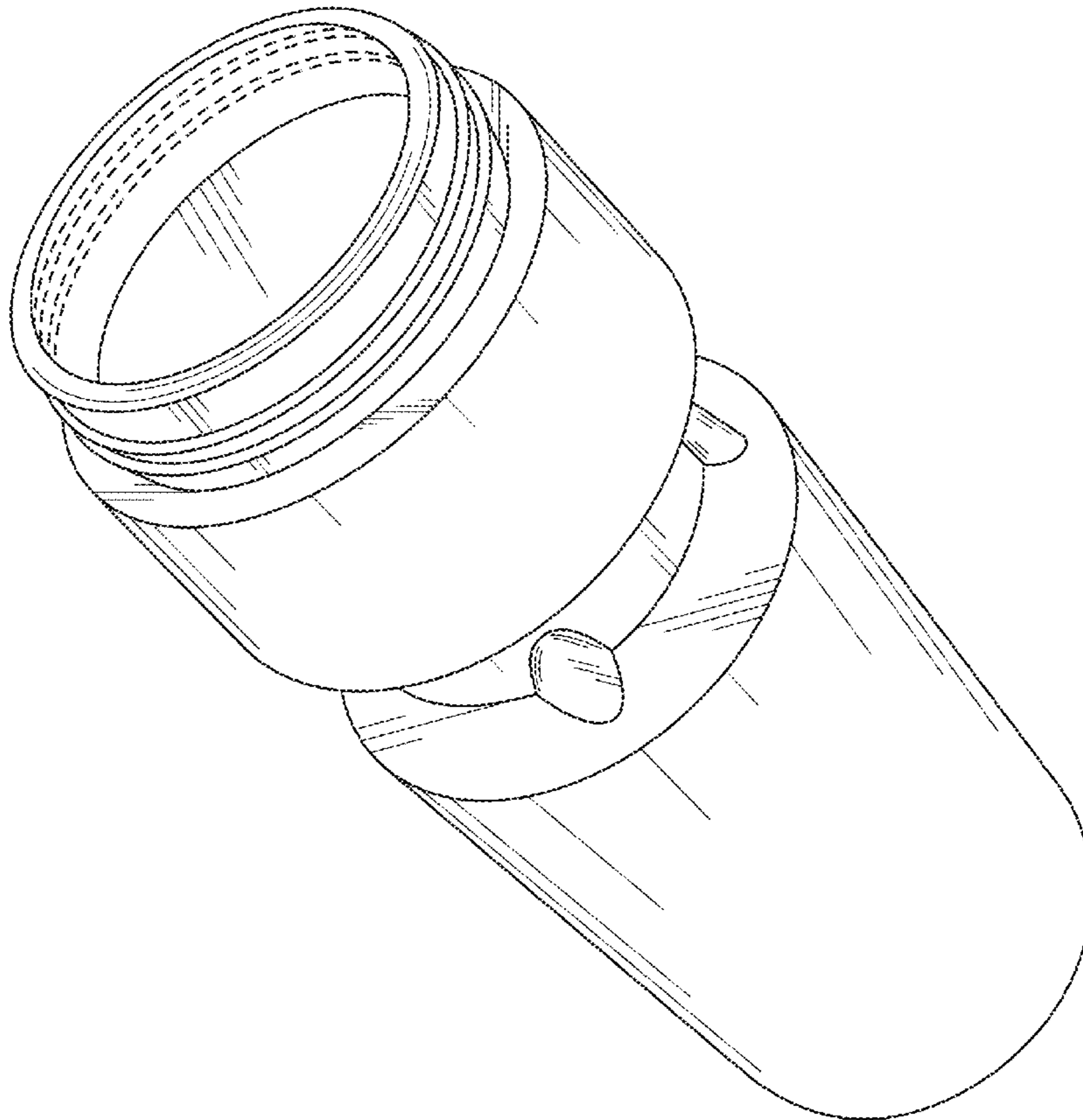
(57) **CLAIM**

The ornamental design for a bottle, as shown and described.

DESCRIPTION

FIG. 1 is a perspective view of a bottle, showing my design.
FIG. 2 is a front elevational view thereof;
FIG. 3 is a rear elevational view thereof;
FIG. 4 is a side elevational view when viewed from the right side;
FIG. 5 is a side elevational view when viewed from the left side;
FIG. 6 is a top plan view thereof;
FIG. 7 is a bottom plan view thereof; and,
FIG. 8 is a bottom perspective view thereof.
The broken lines in FIGS. 1 and 6 are for environmental purposes only and form no part of the claimed design.

1 Claim, 7 Drawing Sheets



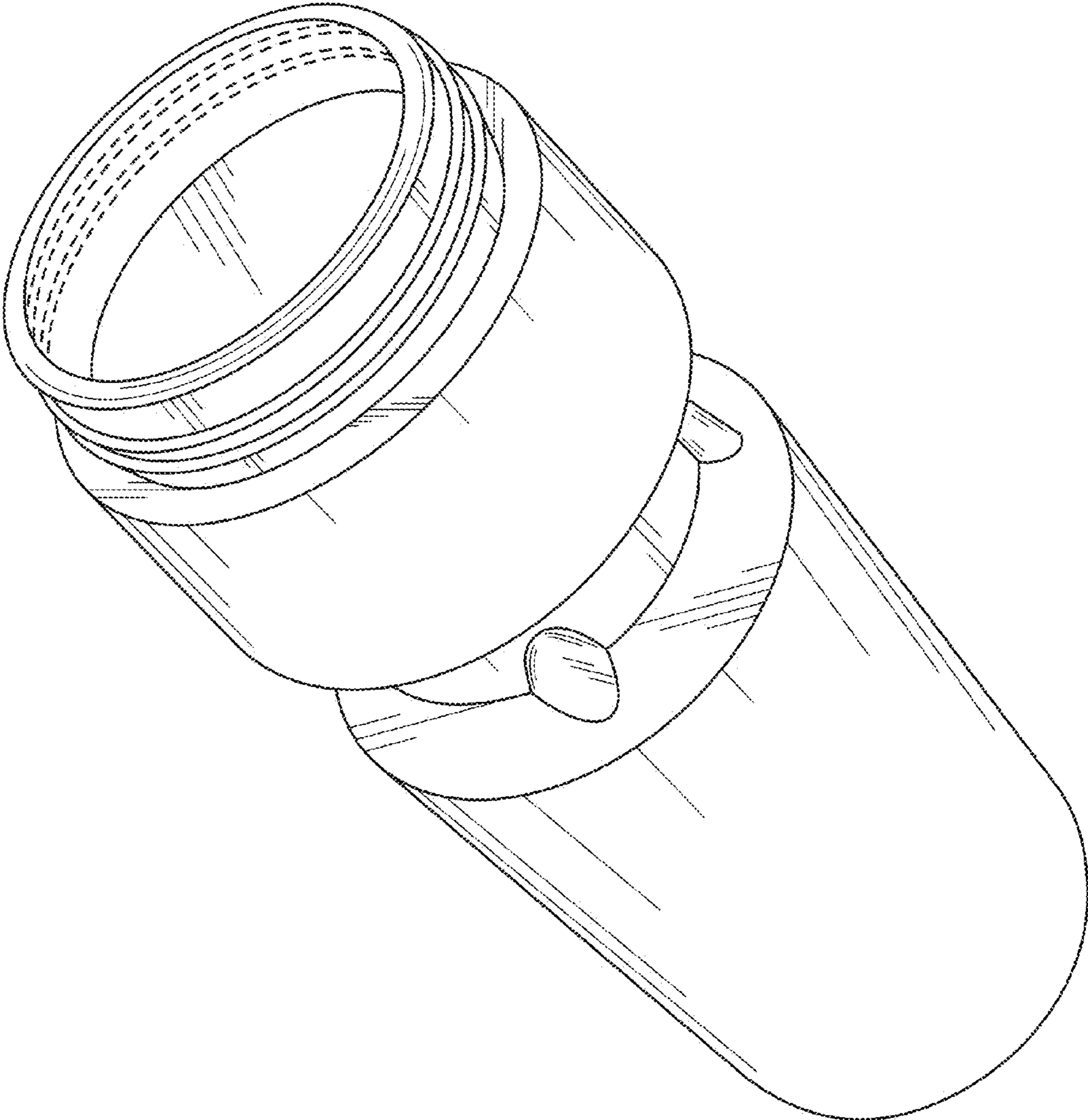


FIG. 1

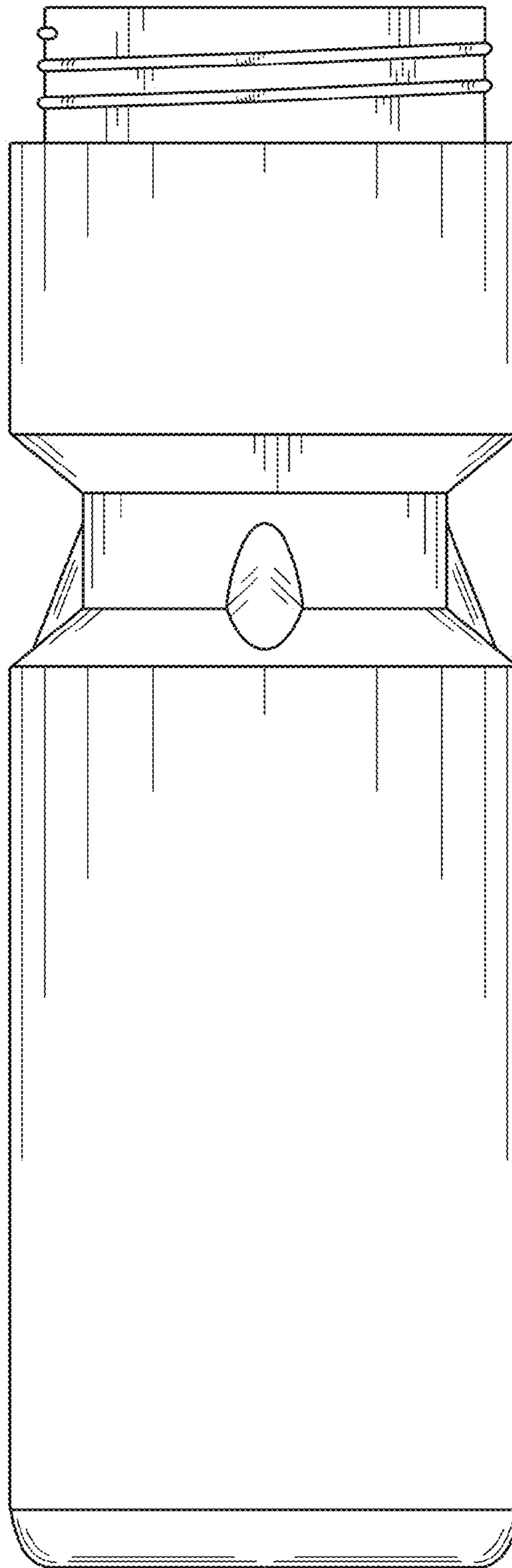


FIG. 2

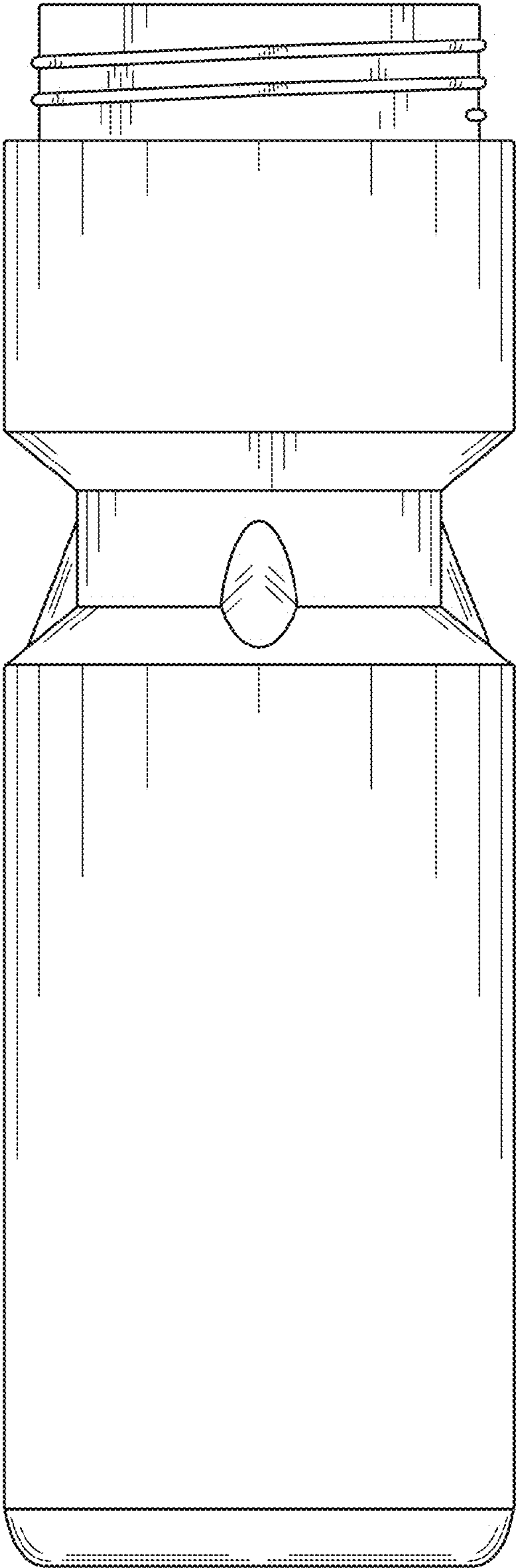


FIG. 3

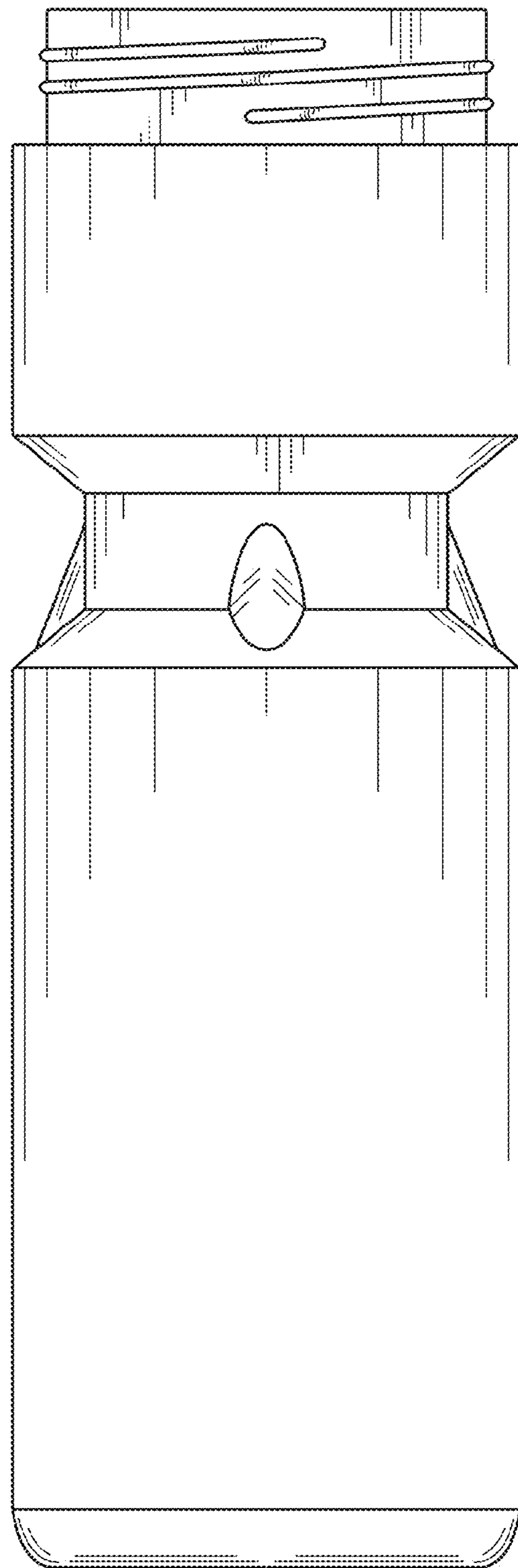


FIG. 4

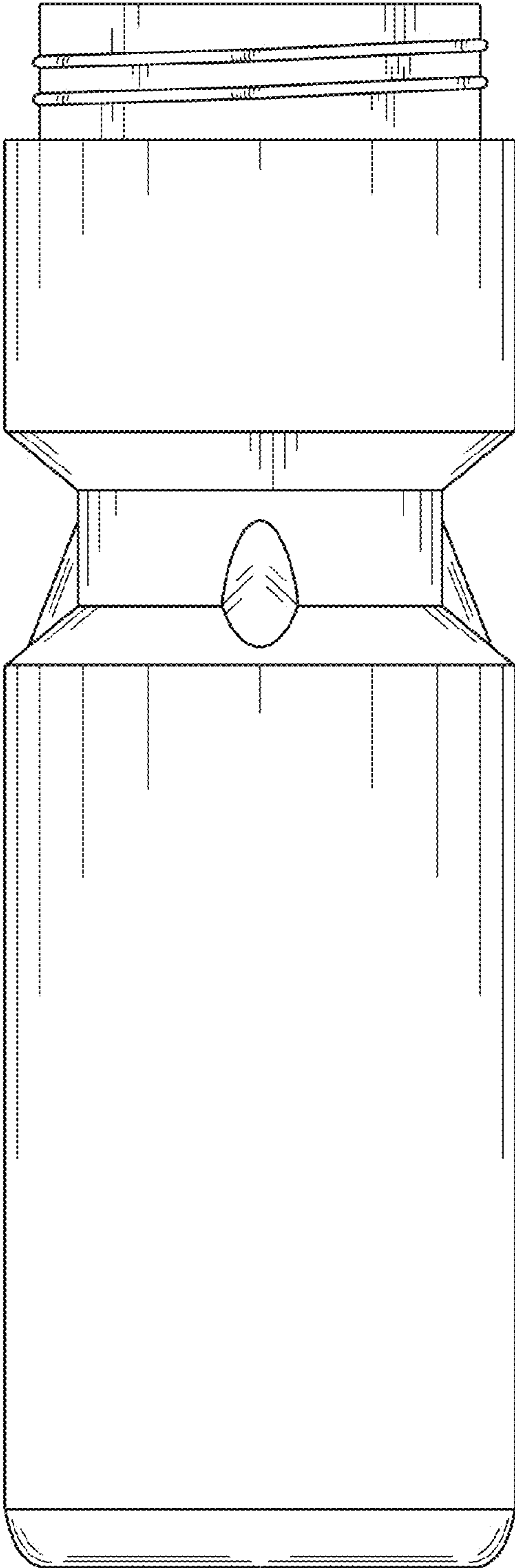


FIG. 5

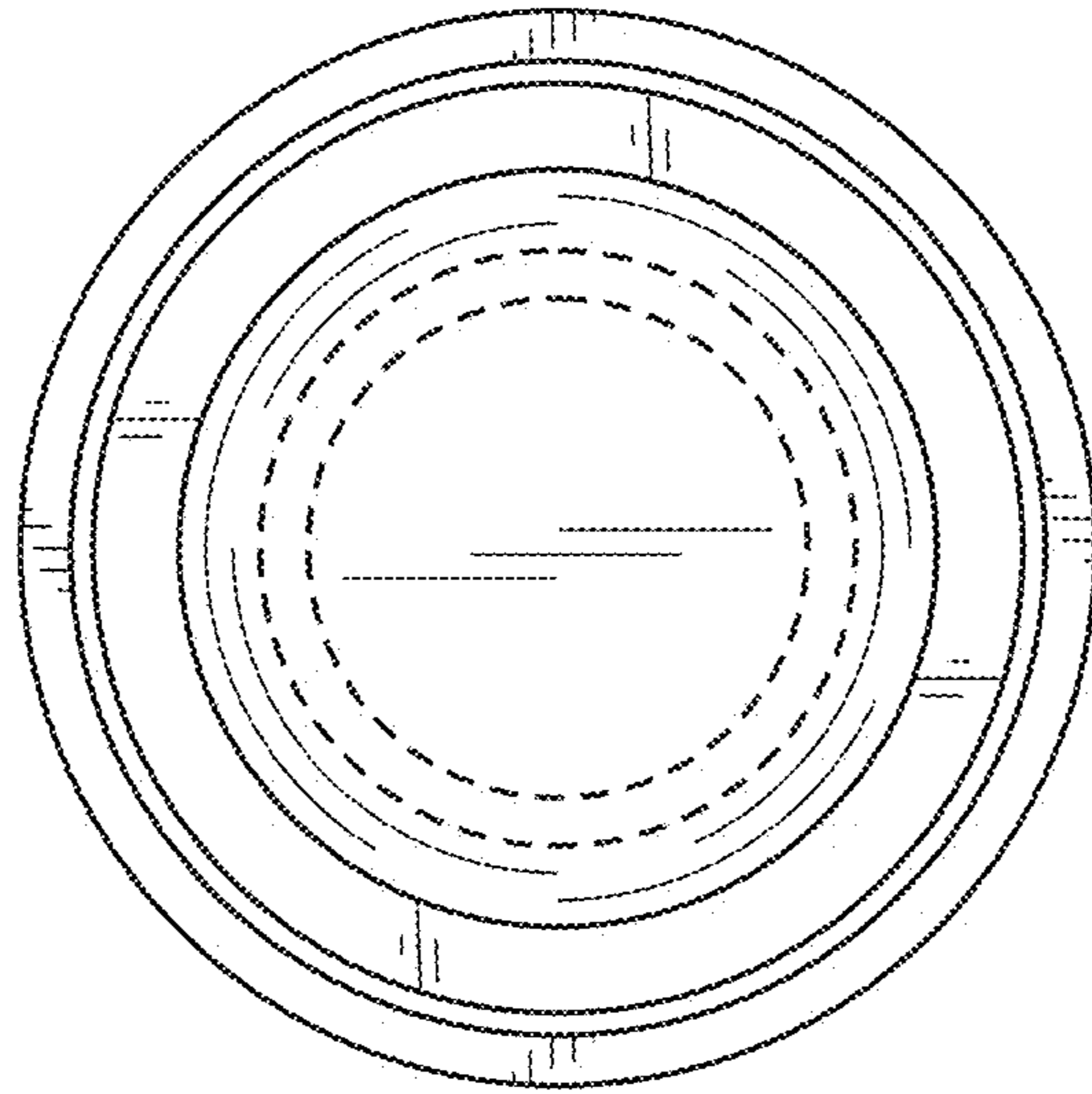


FIG. 6

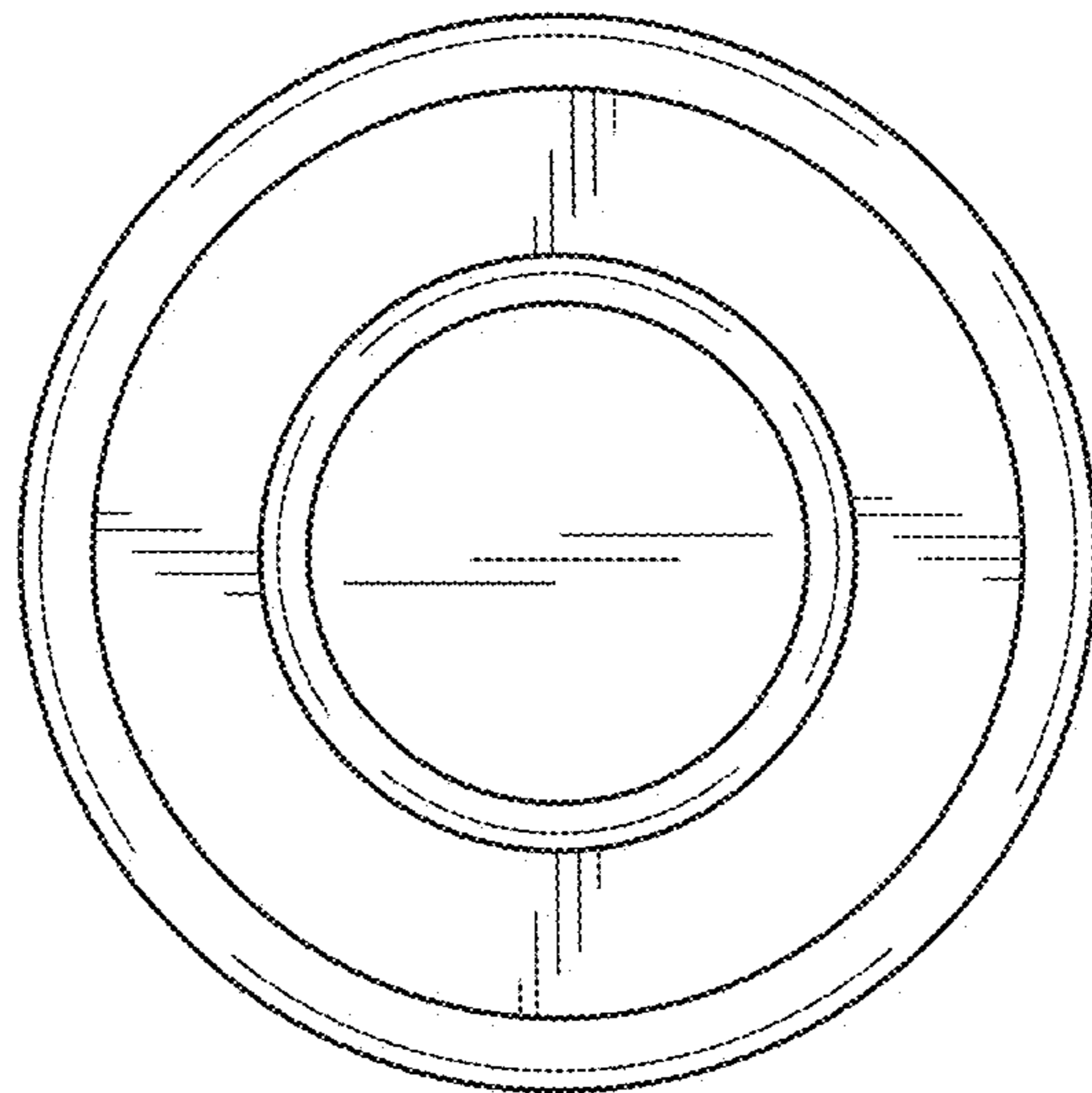


FIG. 7

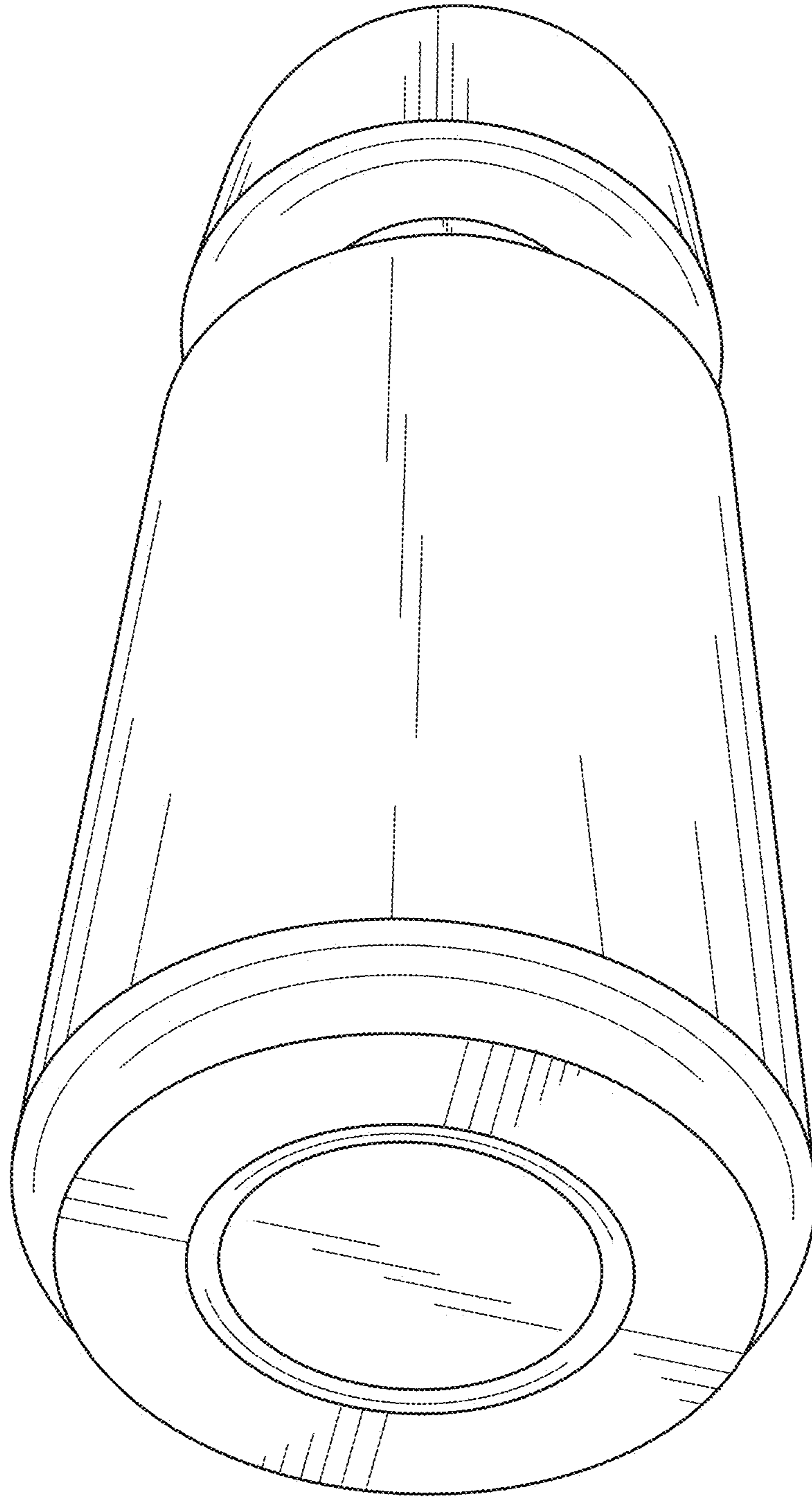


FIG. 8