

US00D706580S

(12) **United States Design Patent**
Xie

(10) **Patent No.:** **US D706,580 S**
(45) **Date of Patent:** **** Jun. 10, 2014**

(54) **FOOD PROCESSOR**

(56) **References Cited**

(71) Applicant: **Tsann Kuen (Zhangzhou) Enterprise Co., Ltd., Fujian (CN)**

U.S. PATENT DOCUMENTS

(72) Inventor: **Yuxuan Xie, Zhang Zhou (CN)**

4,386,740	A *	6/1983	Van Deursen	241/93
4,390,133	A *	6/1983	Wanat	241/93
D300,400	S *	3/1989	Kelly et al.	D7/381
4,884,755	A *	12/1989	Hedrington	241/37.5
5,806,413	A *	9/1998	Trovinger	99/492
D484,738	S *	1/2004	Wong	D7/372
D531,850	S *	11/2006	Wong	D7/372
7,207,510	B2 *	4/2007	Wong	241/82.1
D553,427	S *	10/2007	Ball	D7/384
D677,975	S *	3/2013	Jin et al.	D7/381
8,550,390	B2 *	10/2013	Machovina et al.	241/261.1
2009/0064875	A1 *	3/2009	Trovinger	99/492
2010/0288139	A1 *	11/2010	Li et al.	99/538

(73) Assignee: **Tsann Kuen (Zhangzhou) Enterprise Co., Ltd., Zhang Zhou (CN)**

(**) Term: **14 Years**

(21) Appl. No.: **29/461,438**

(22) Filed: **Jul. 23, 2013**

* cited by examiner

(30) **Foreign Application Priority Data**

Primary Examiner — Ricky Pham

Jan. 29, 2013 (CN) 2013 3 0026763

(74) *Attorney, Agent, or Firm* — Rabin & Berdo, P.C.

(51) **LOC (10) Cl.** **07-02**

(57) **CLAIM**

(52) **U.S. Cl.**

The ornamental design for food processor, as shown and described.

USPC **D7/412; D7/376; D7/378; D7/384**

DESCRIPTION

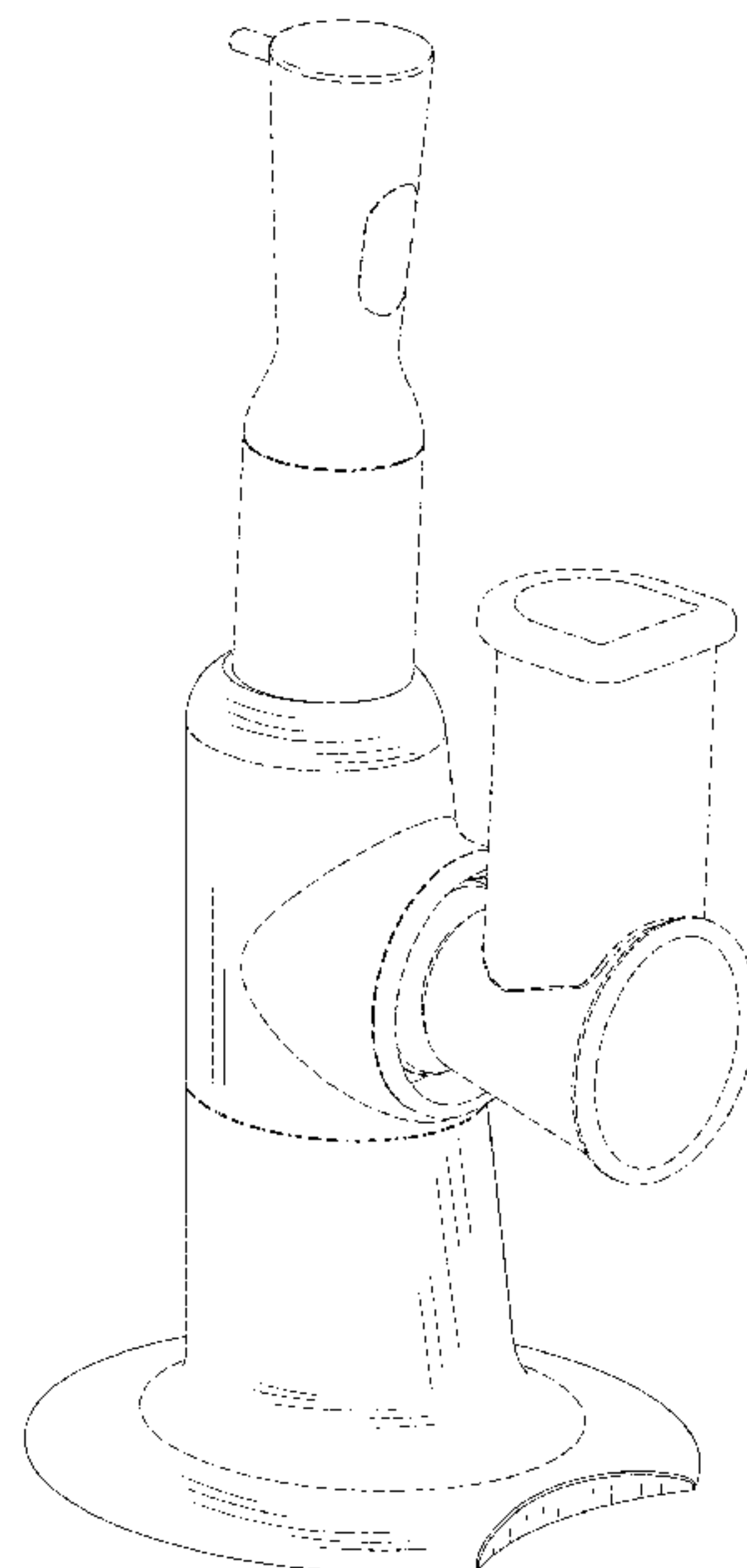
(58) **Field of Classification Search**

USPC D7/301-313, 316-326, 354-357, 368, D7/372-386, 391-398, 402, 412-415, 503, D7/515, 543, 584-587, 607, 665-666, 679, D7/691-693; 99/280, 326, 348, 486, 492, 99/508-512, 538; 241/30-37.5, 73, 82.1, 241/92-93, 98, 101.01-101.2, 166-169.1, 241/172, 261.1, 272, 282.2, 285.1-285.3, 241/291, 292.1, 301; 366/64-67, 98, 129, 366/142-144, 169.1, 192-211, 241-254, 366/262, 279-292, 314, 325.8, 325.92, 366/341-347; 416/75-77, 70 R, 163

FIG. 1 is a left side of a food processor showing my new design;
FIG. 2 is right side a view thereof;
FIG. 3 is a front view thereof;
FIG. 4 is a rear view thereof;
FIG. 5 is a top view thereof;
FIG. 6 is a bottom view thereof; and,
FIG. 7 is a perspective view showing the new design thereof.
The broken lines shown in the drawings are for illustrative purposes only and form no part of the claimed design.

See application file for complete search history.

1 Claim, 7 Drawing Sheets



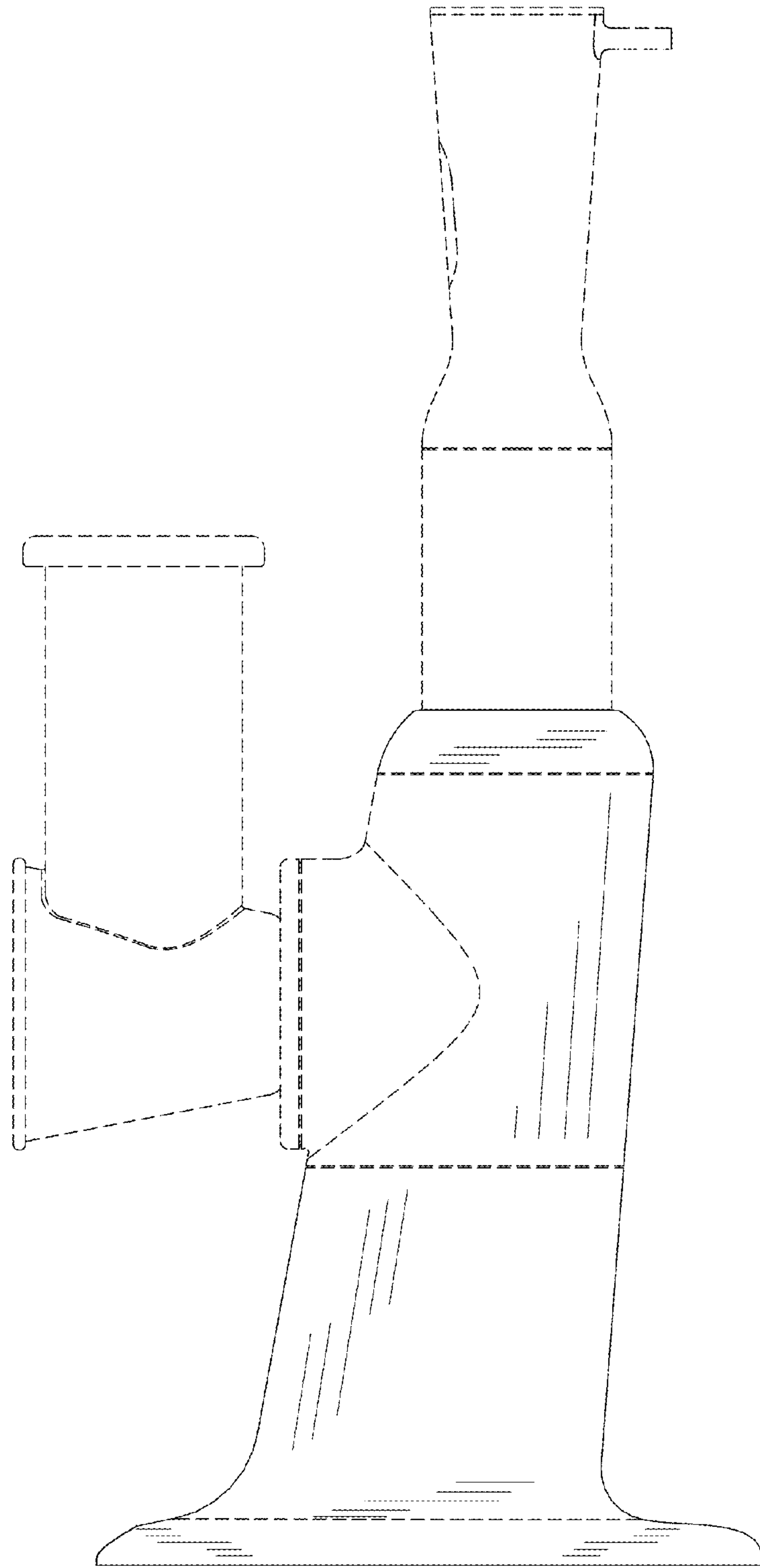


FIG. 1

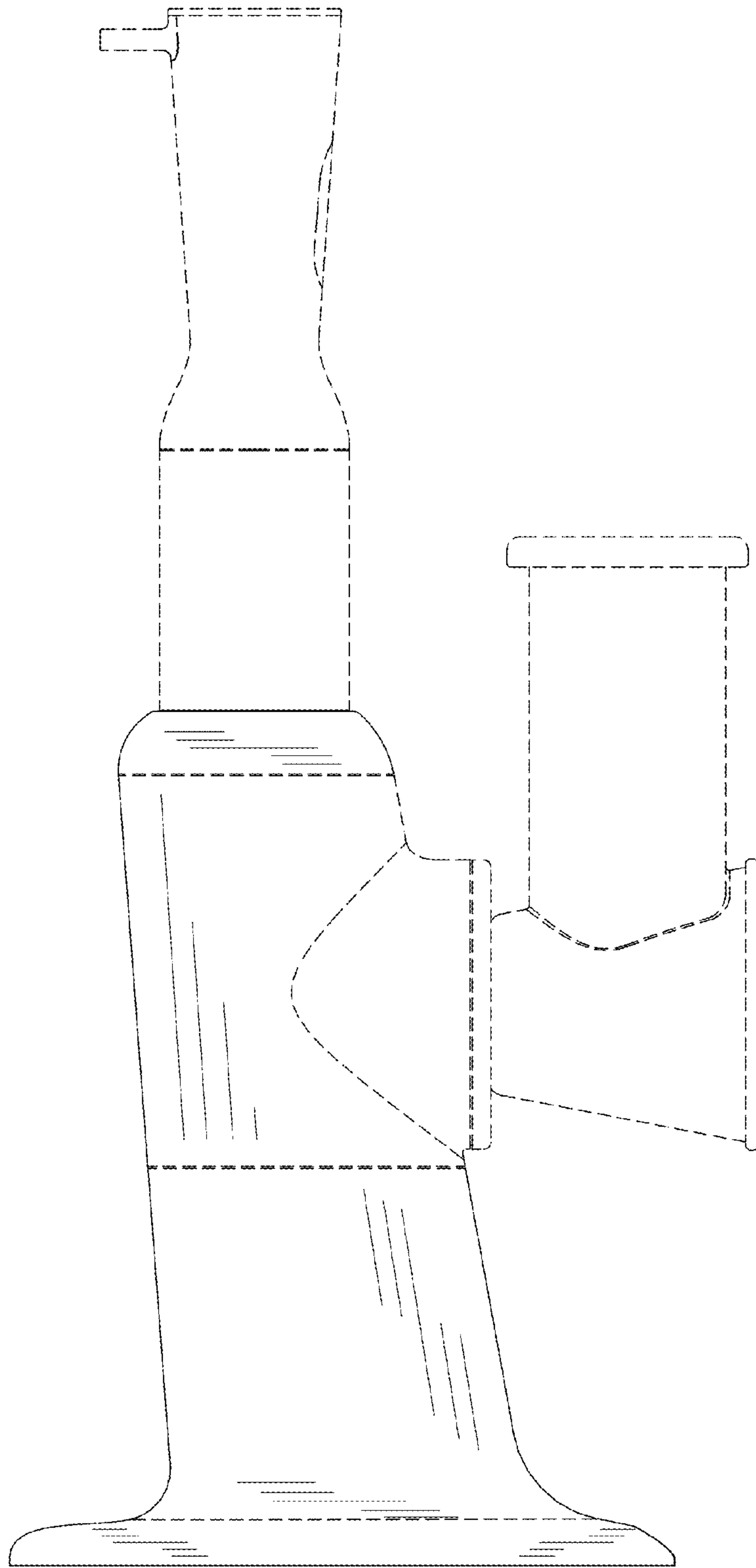


FIG. 2

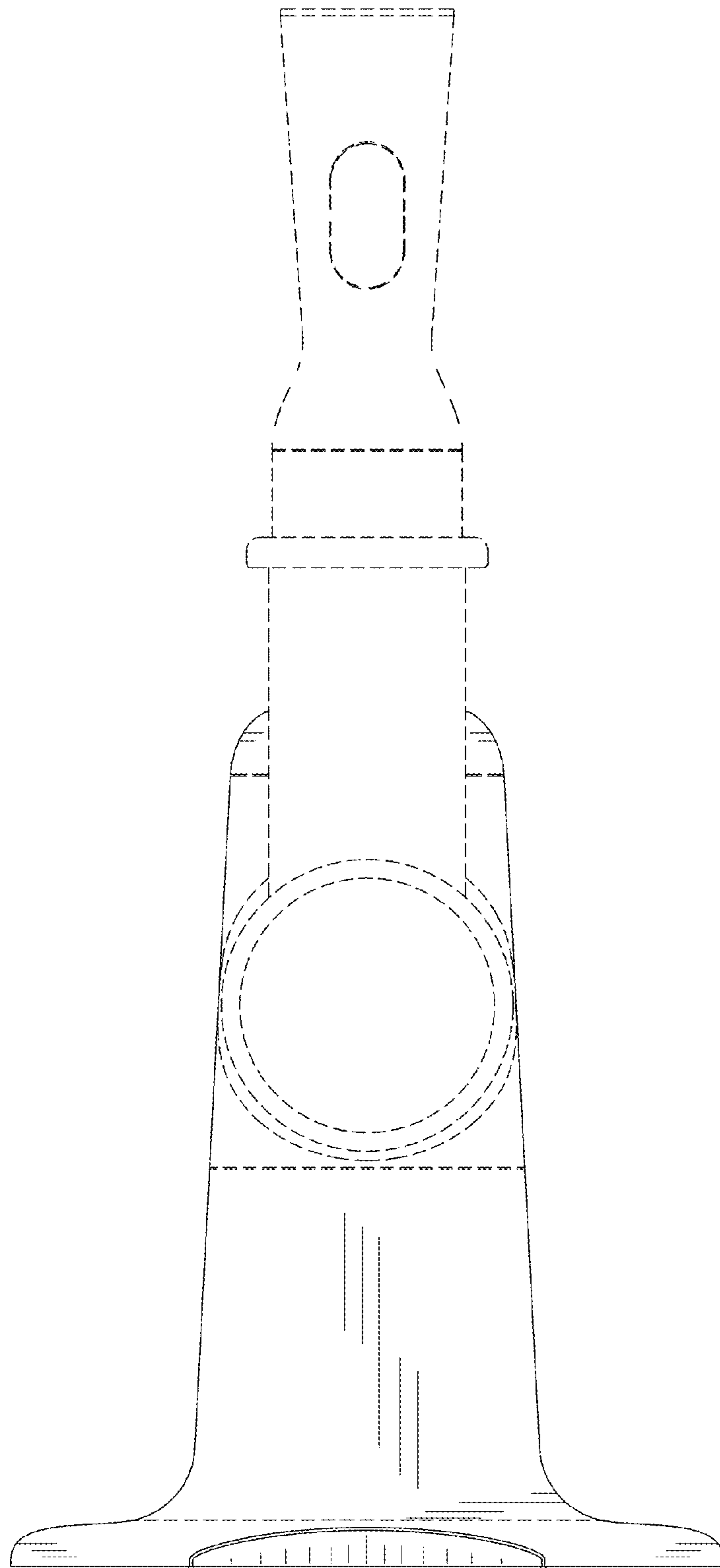


FIG. 3

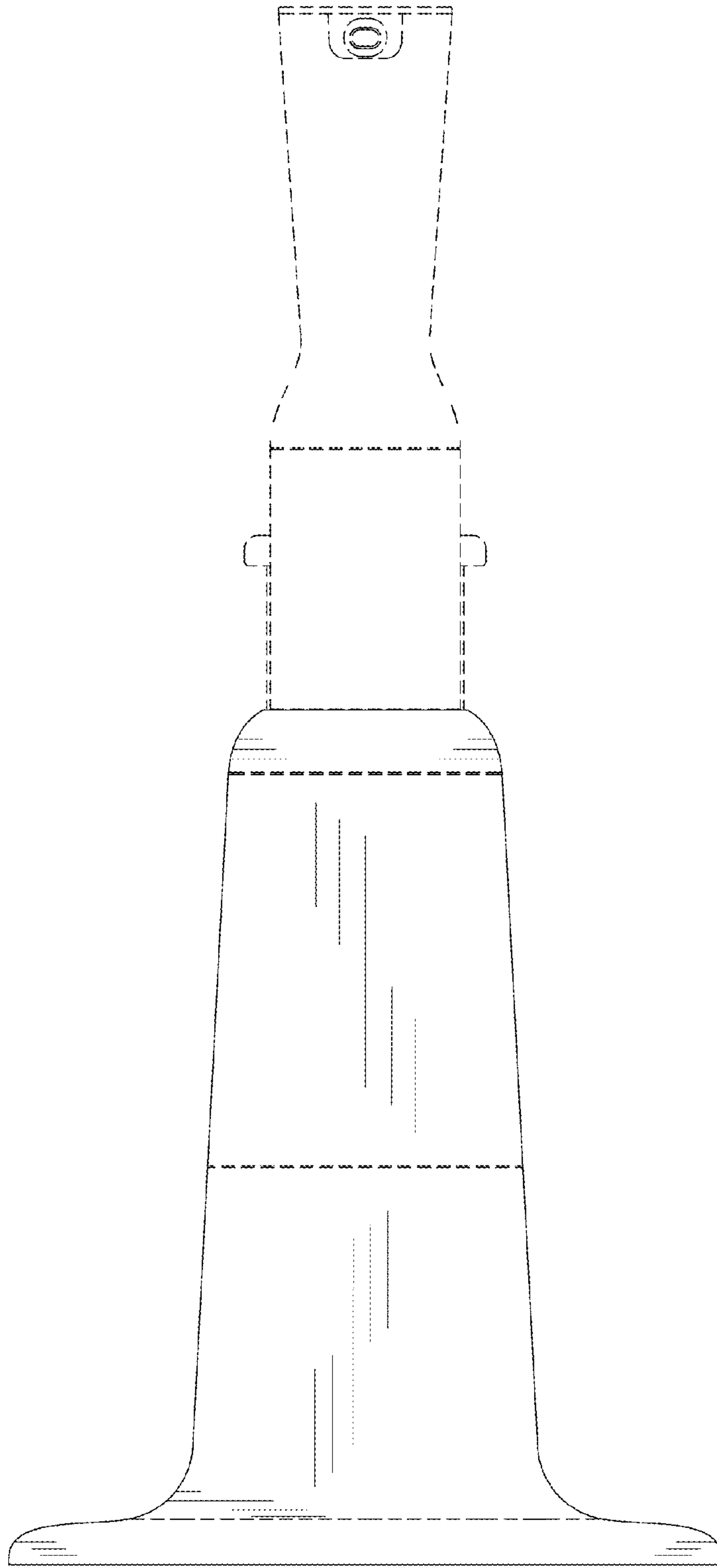


FIG. 4

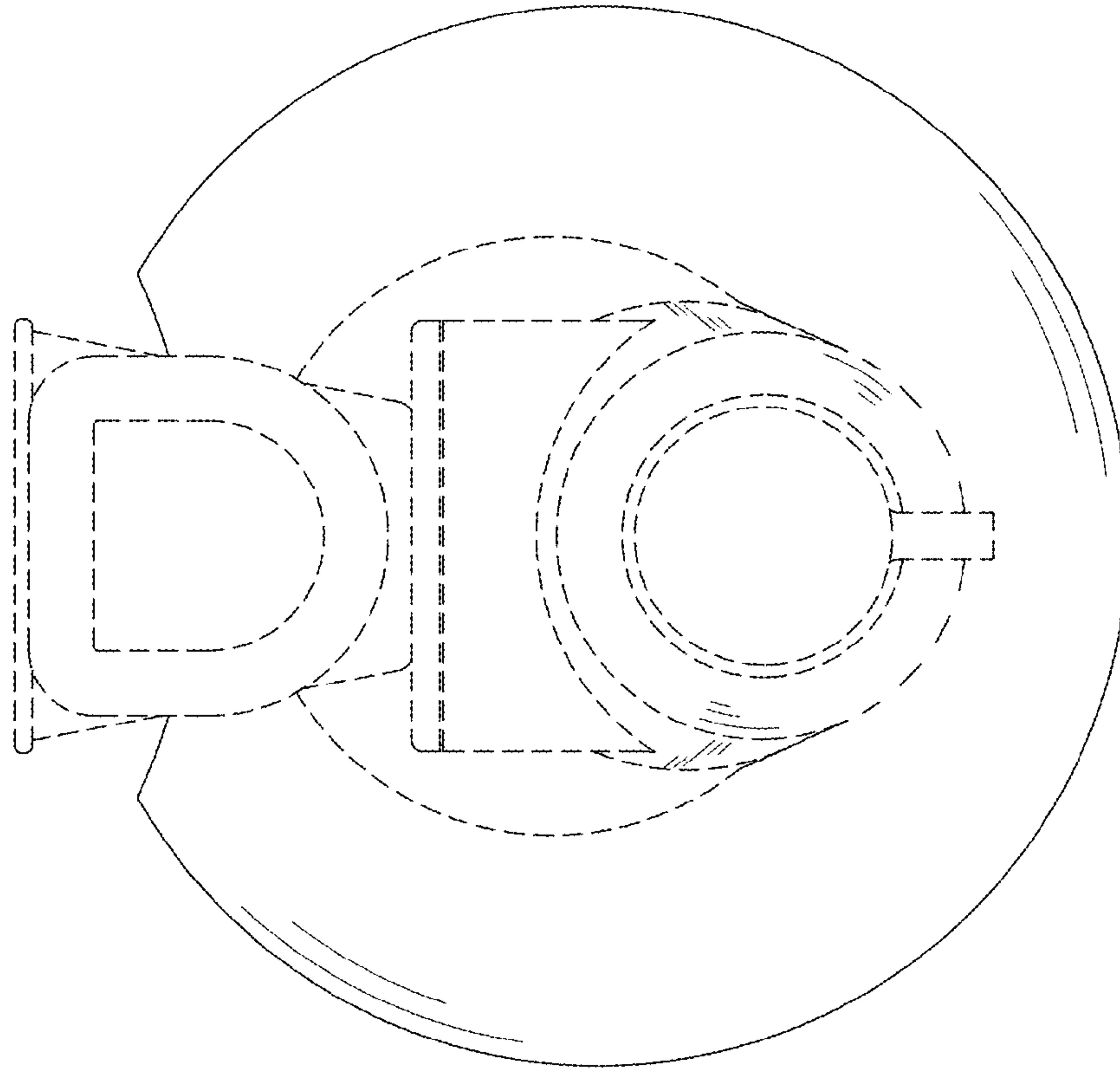


FIG. 5

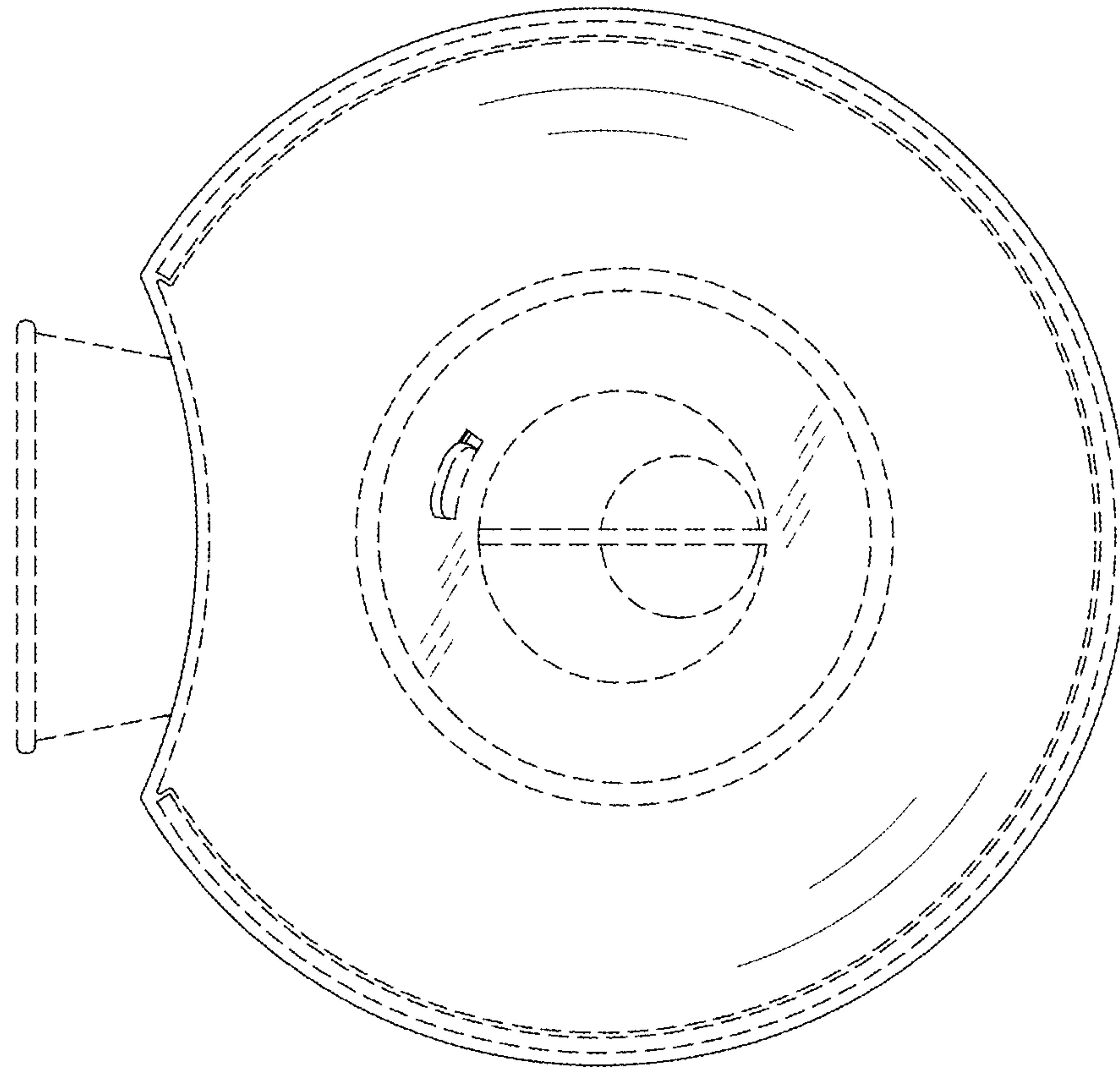


FIG. 6

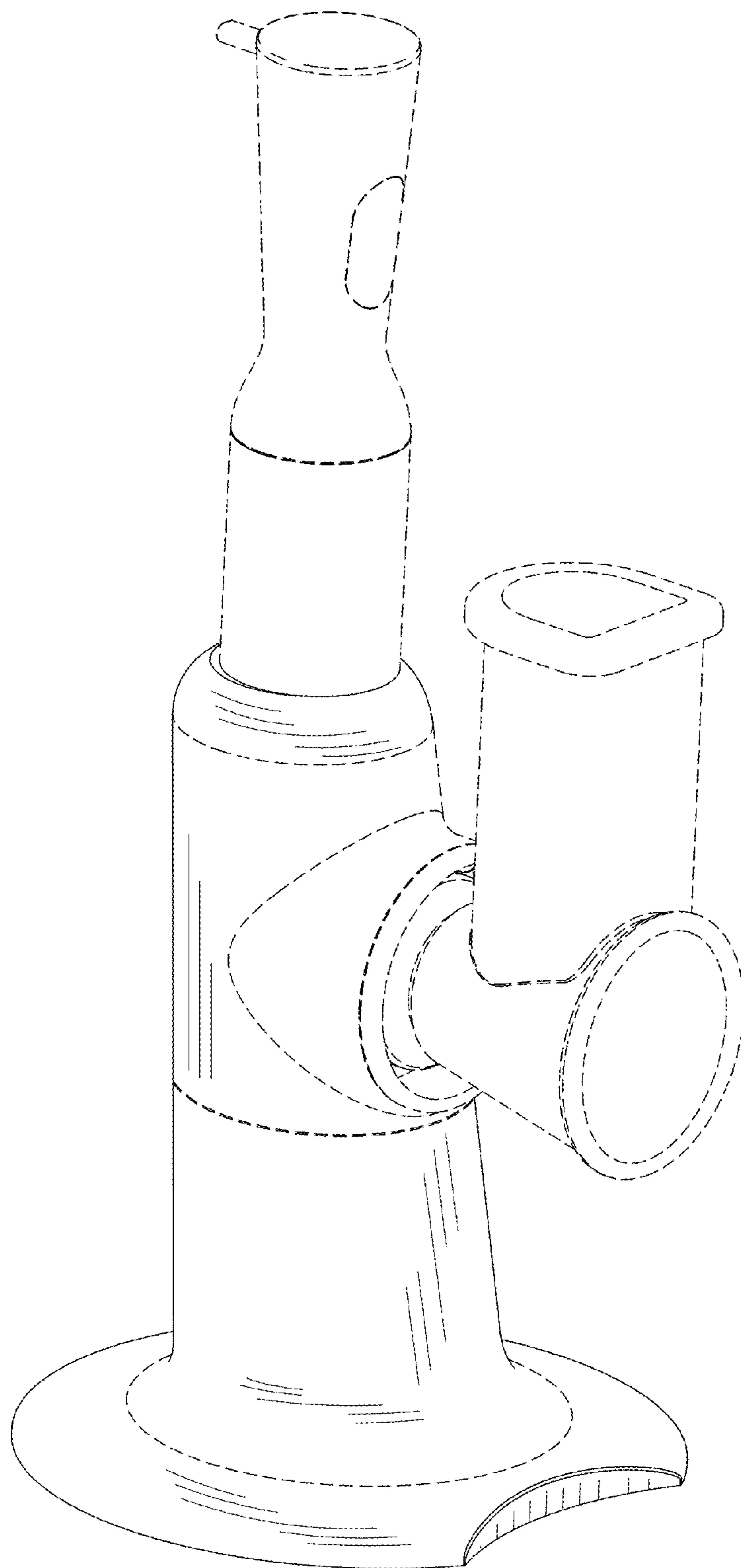


FIG. 7