



US00D706578S

(12) **United States Design Patent**  
**Coakley et al.**

(10) **Patent No.:** **US D706,578 S**  
(45) **Date of Patent:** **\*\* Jun. 10, 2014**

(54) **JUICER COVER**

- (71) Applicant: **Euro-Pro Operating LLC**, Newton, MA (US)
- (72) Inventors: **Devin Joseph Coakley**, Bellingham, MA (US); **Mark Allen Nichols**, Newton Heights, MA (US)
- (73) Assignee: **Euro-Pro Operating LLC**, Newton, MA (US)
- (\*\*) Term: **14 Years**

- (21) Appl. No.: **29/447,105**
- (22) Filed: **Feb. 28, 2013**
- (51) **LOC (10) Cl.** ..... **31-00**
- (52) **U.S. Cl.**  
USPC ..... **D7/412**
- (58) **Field of Classification Search**  
USPC ..... D7/665-667, 412, 376-386; 241/92, 241/101.1-101.7, 285.1-285.3; 99/501-513, 495, 499, 348, 357, 349, 99/369, 370; 366/98, 142, 197-211, 366/241-254, 279-292, 341-347; 100/213, 100/218, 283, 288  
See application file for complete search history.

(56) **References Cited**

**U.S. PATENT DOCUMENTS**

D249,441 S *	9/1978	Fukumoto et al. ....	D7/665
D290,677 S *	7/1987	Stutzer et al. ....	D7/384
D318,402 S *	7/1991	Barrault .....	D7/665
D333,412 S *	2/1993	Levin .....	D7/665
D369,530 S *	5/1996	Risse .....	D7/665

**OTHER PUBLICATIONS**

[No Author Listed] Philips Avance Collection HR1871/00—Juicer. Avance Collection Juicer. Overview. Philips. Available at [http://www.philips.co.uk/c/juicers-and-blenders/avance-collection-800-w-2.5-1-xxl-tube-hr1871\\_00/prd/](http://www.philips.co.uk/c/juicers-and-blenders/avance-collection-800-w-2.5-1-xxl-tube-hr1871_00/prd/). Accessed and printed Dec. 11, 2013. 4 pages.

[No Author Listed] Philips Avance Collection HR1871/00-Juicer. Avance Collection Juicer. Awards and Reviews. Philips. Available at [http://www.philips.co.uk/c/food-preparation/avance-collection-800-w-2.5-1-xxl-tube-hr1871\\_00/prd/?st=user&t=awards](http://www.philips.co.uk/c/food-preparation/avance-collection-800-w-2.5-1-xxl-tube-hr1871_00/prd/?st=user&t=awards). Accessed and printed Dec. 11, 2013. 4 pages.

[No Author Listed] Philips Avance HR1871 Whole Fruit Juicer with XXL Tube—800 Watt. Amazon.com. Available at <http://www.amazon.co.uk/Philips-Avance-HR1871-Whole-Juicer/dp/B005LBM17S>. Accessed and printed Dec. 11, 2013. 1 page.

(Continued)

*Primary Examiner* — Terry Wallace

(74) *Attorney, Agent, or Firm* — Wolf, Greenfield & Sacks, P.C.

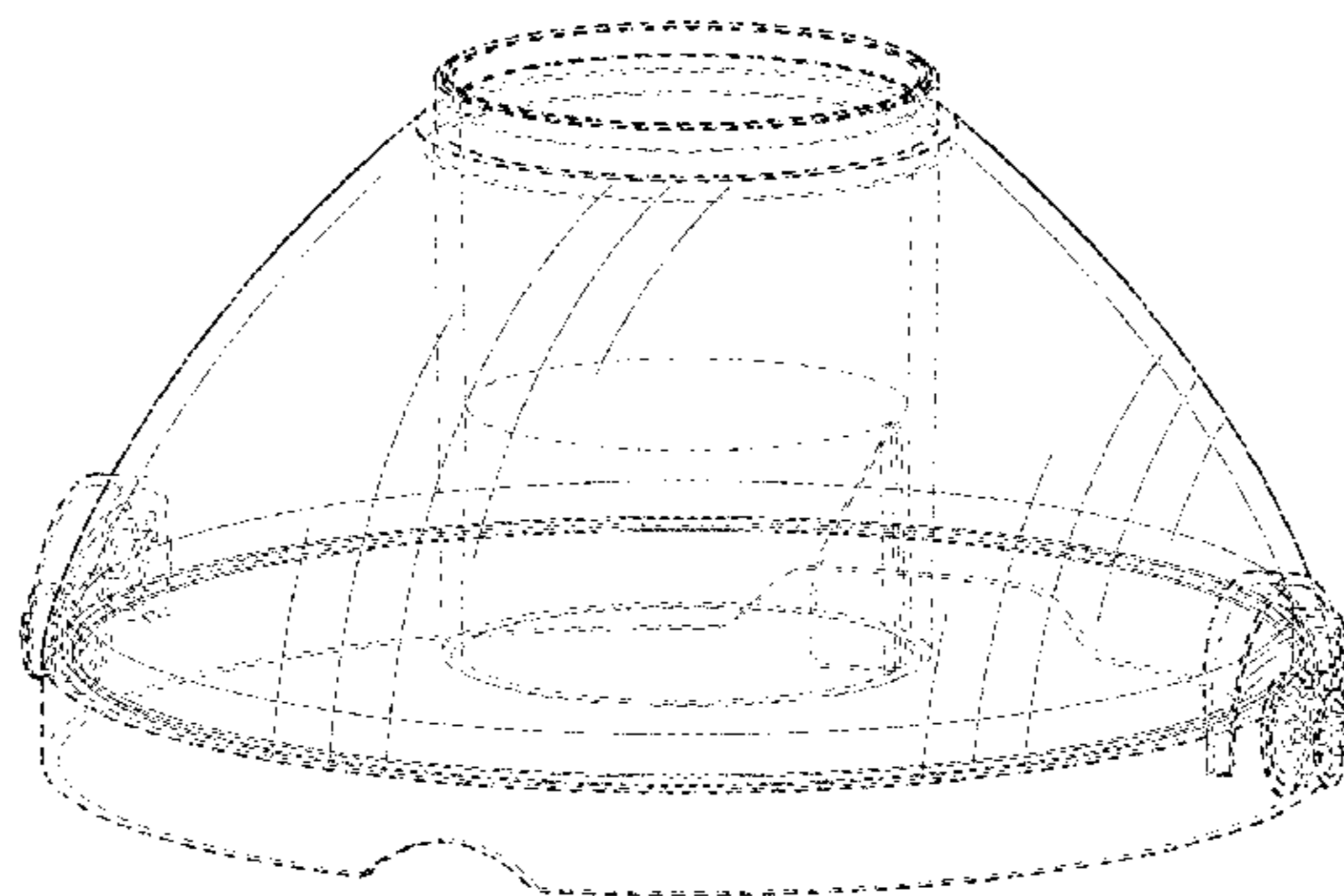
(57) **CLAIM**

The ornamental design for a juicer cover, as shown and described.

**DESCRIPTION**

FIG. 1 is a top, front, right side perspective view of a juicer cover showing our new design;  
FIG. 2 is a front elevational view thereof;  
FIG. 3 is a rear elevational view thereof;  
FIG. 4 is a left side elevational view thereof;  
FIG. 5 is a right side elevational view thereof;  
FIG. 6 is a top plan view thereof;  
FIG. 7 is a bottom plan view thereof; and,  
FIG. 8 is a top, front, right side perspective view of the juicer cover attached to a juicer.  
The broken lines of FIGS. 1-7 illustrate portions of the juicer cover that form no part of the claimed design. The additional broken lines of FIG. 8 illustrate environmental matter and form no part of the claimed design.

**1 Claim, 6 Drawing Sheets**



(56)

**References Cited**

OTHER PUBLICATIONS

[No Author Listed] Philips Avance HR1871 Whole Fruit Juicer with XXL Tube—800 Watt. Customer Reviews. Amazon.com. Available at <http://www.amazon.co.uk/product-reviews/B005LBM17S/>

ref=cm\_cr\_pr\_btm\_link\_11?ie=UTF8&pageNumber=11  
&showViewpoints=0&sortBy=bySubmissionDateDescending.

Accessed and printed Dec. 11, 2013. 7 pages.

\* cited by examiner

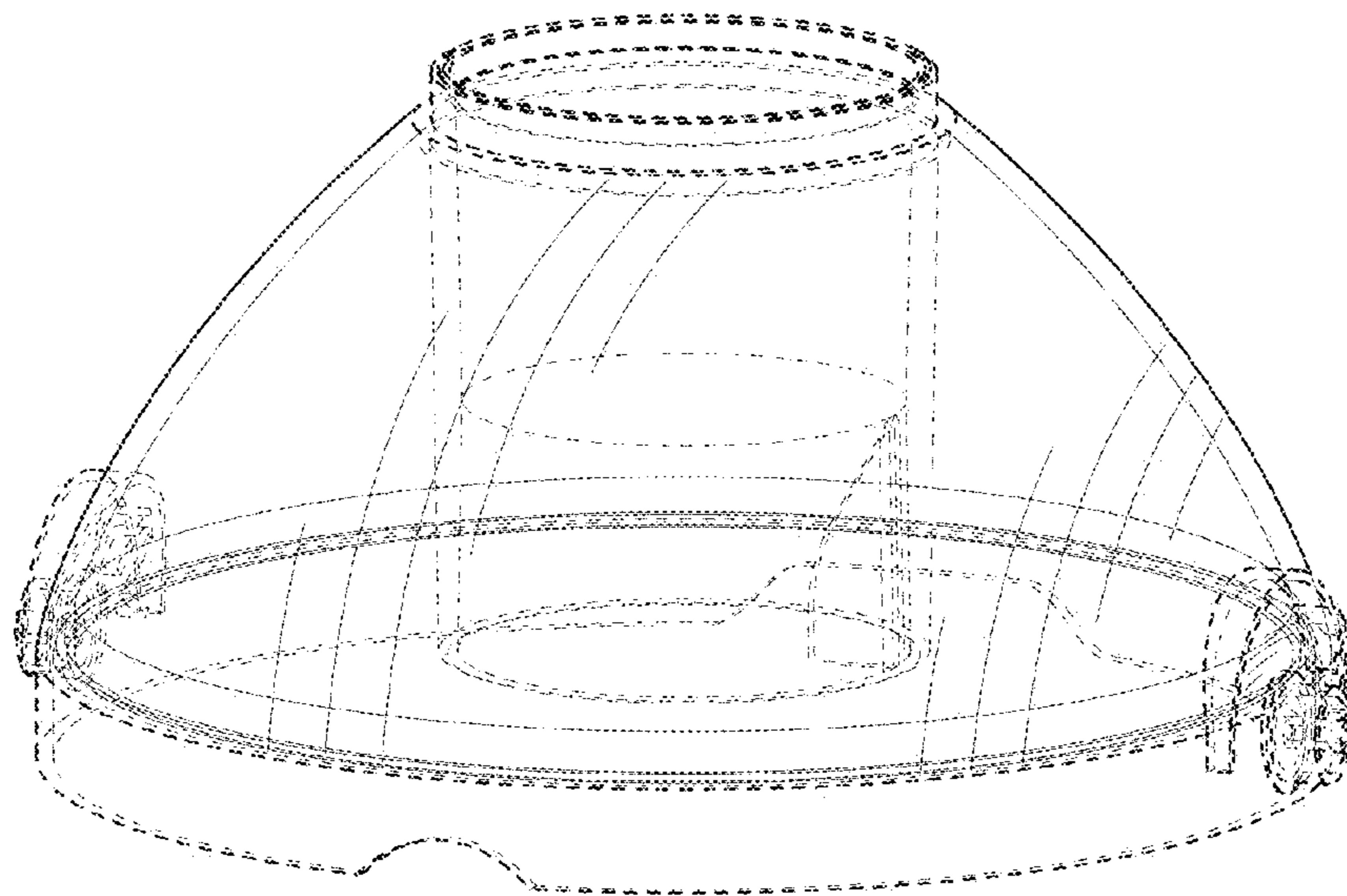


FIG. 1

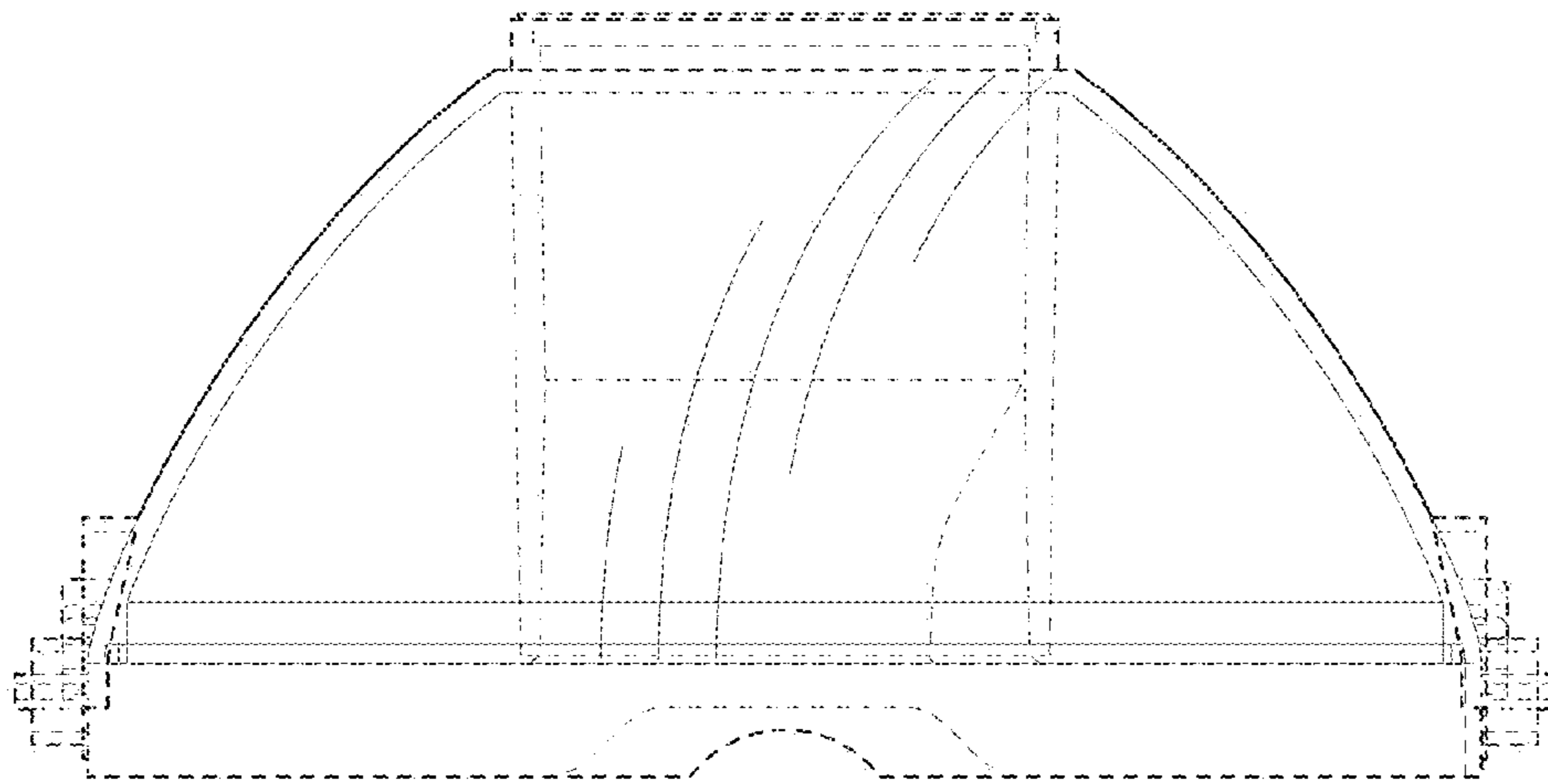


FIG. 2

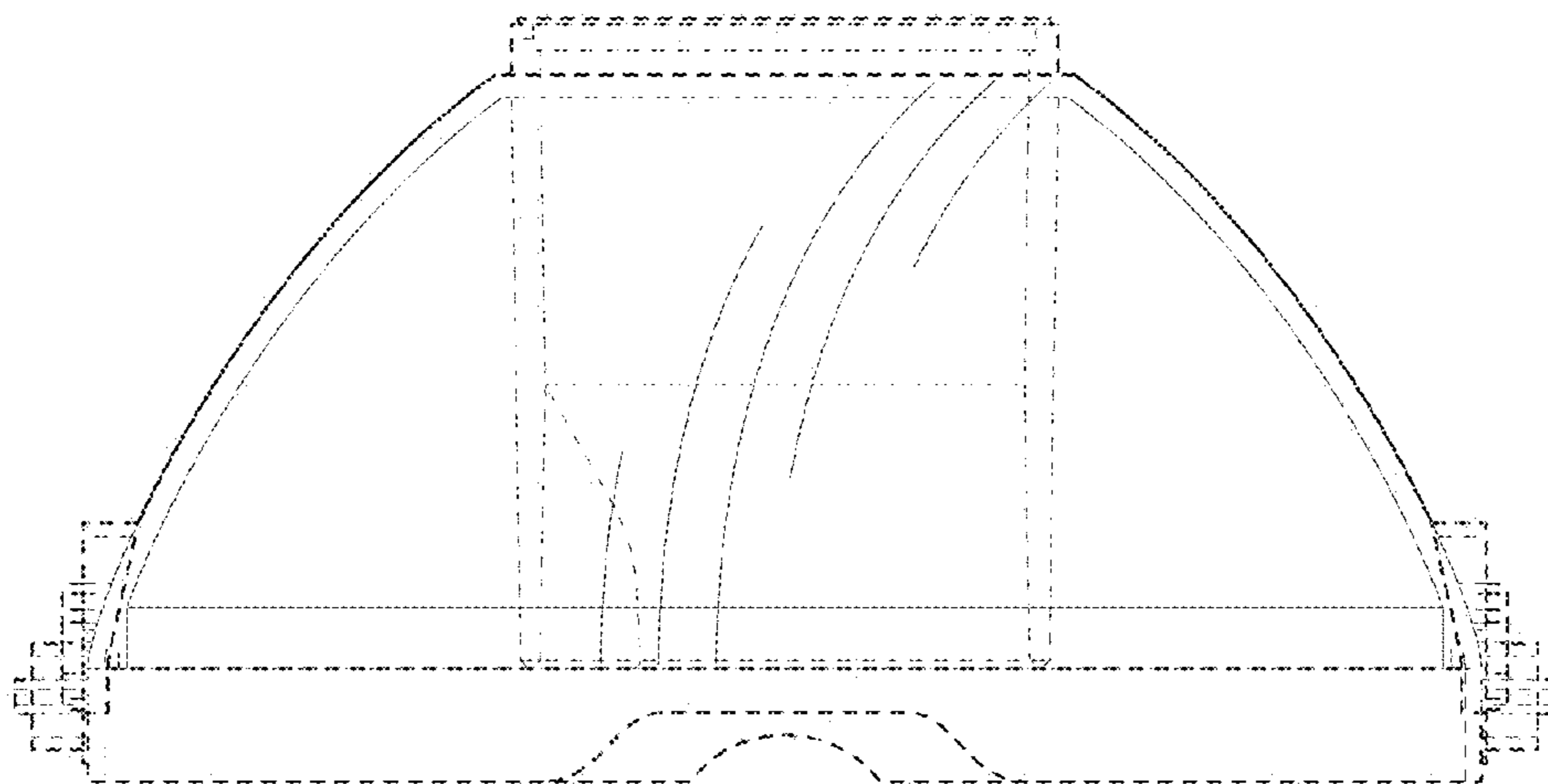


FIG. 3

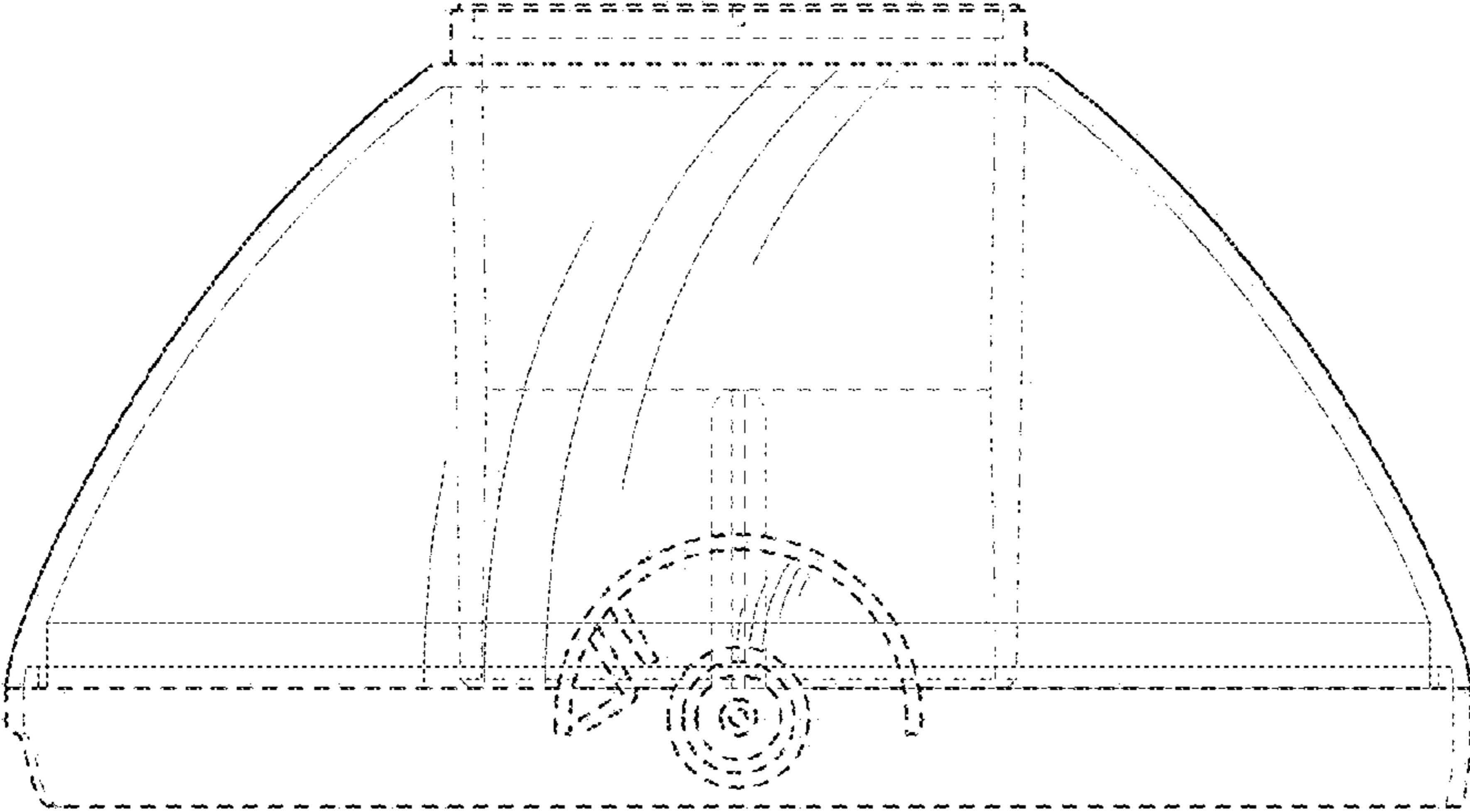


FIG. 4

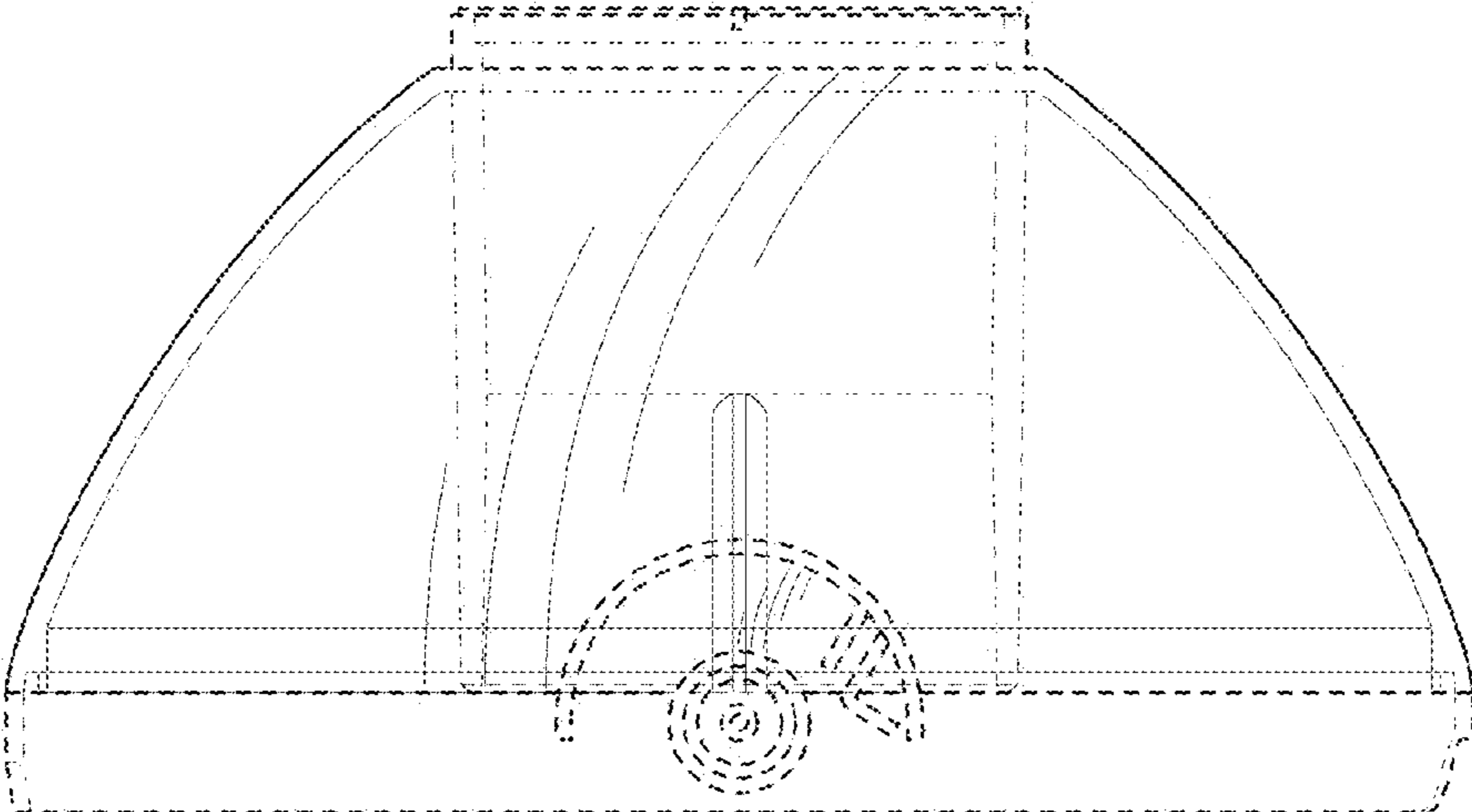


FIG. 5



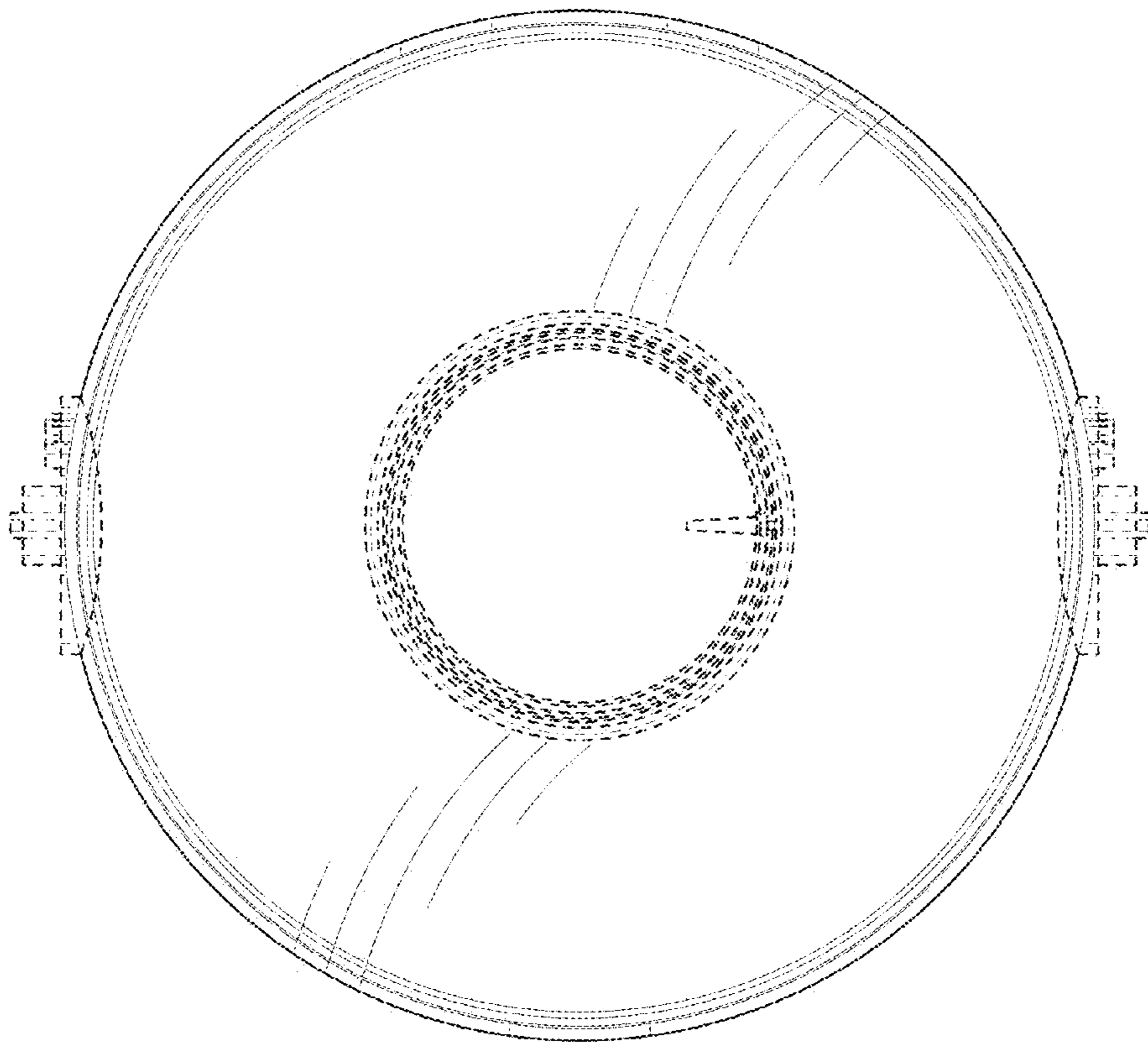


FIG. 6

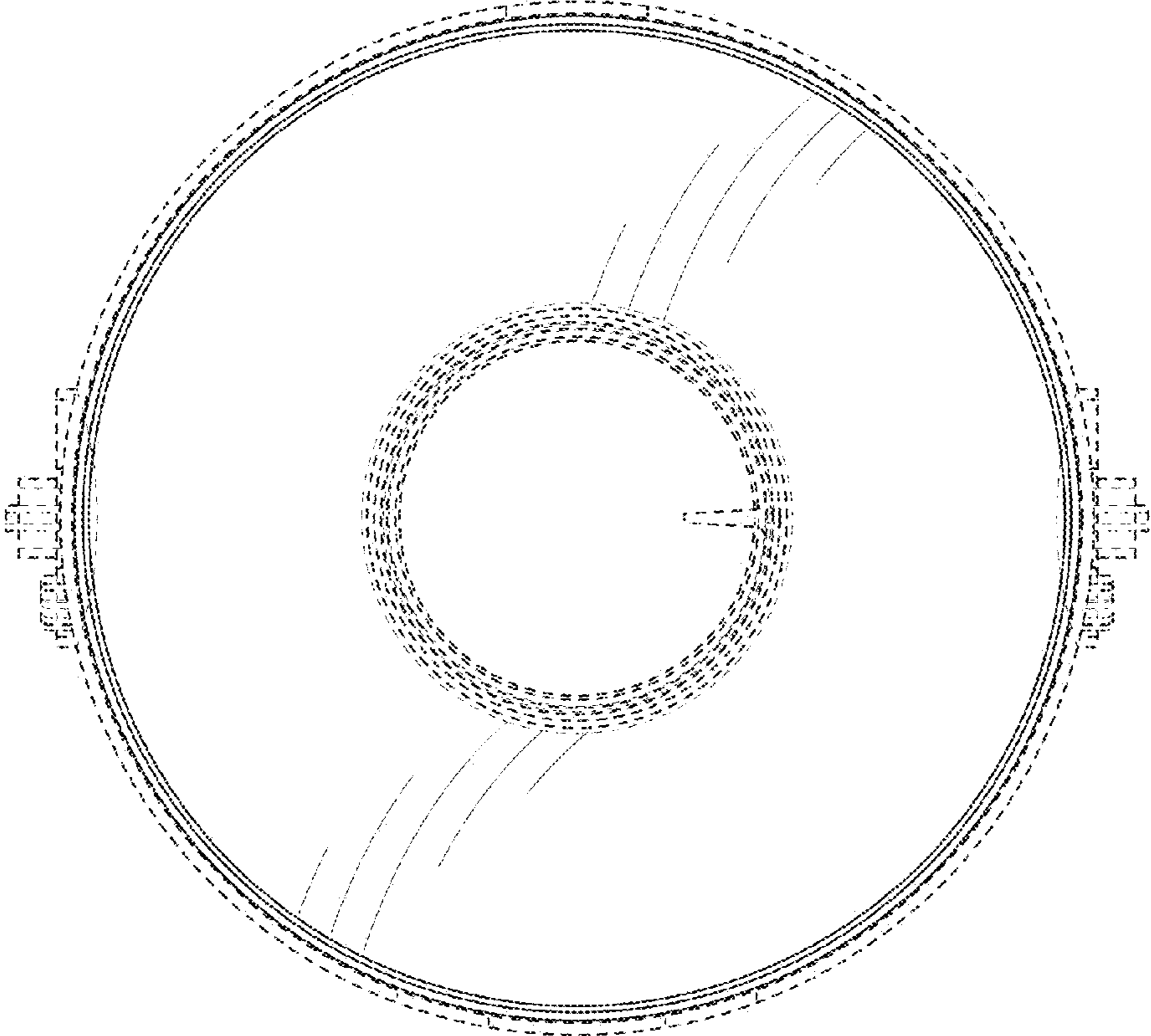


FIG. 7

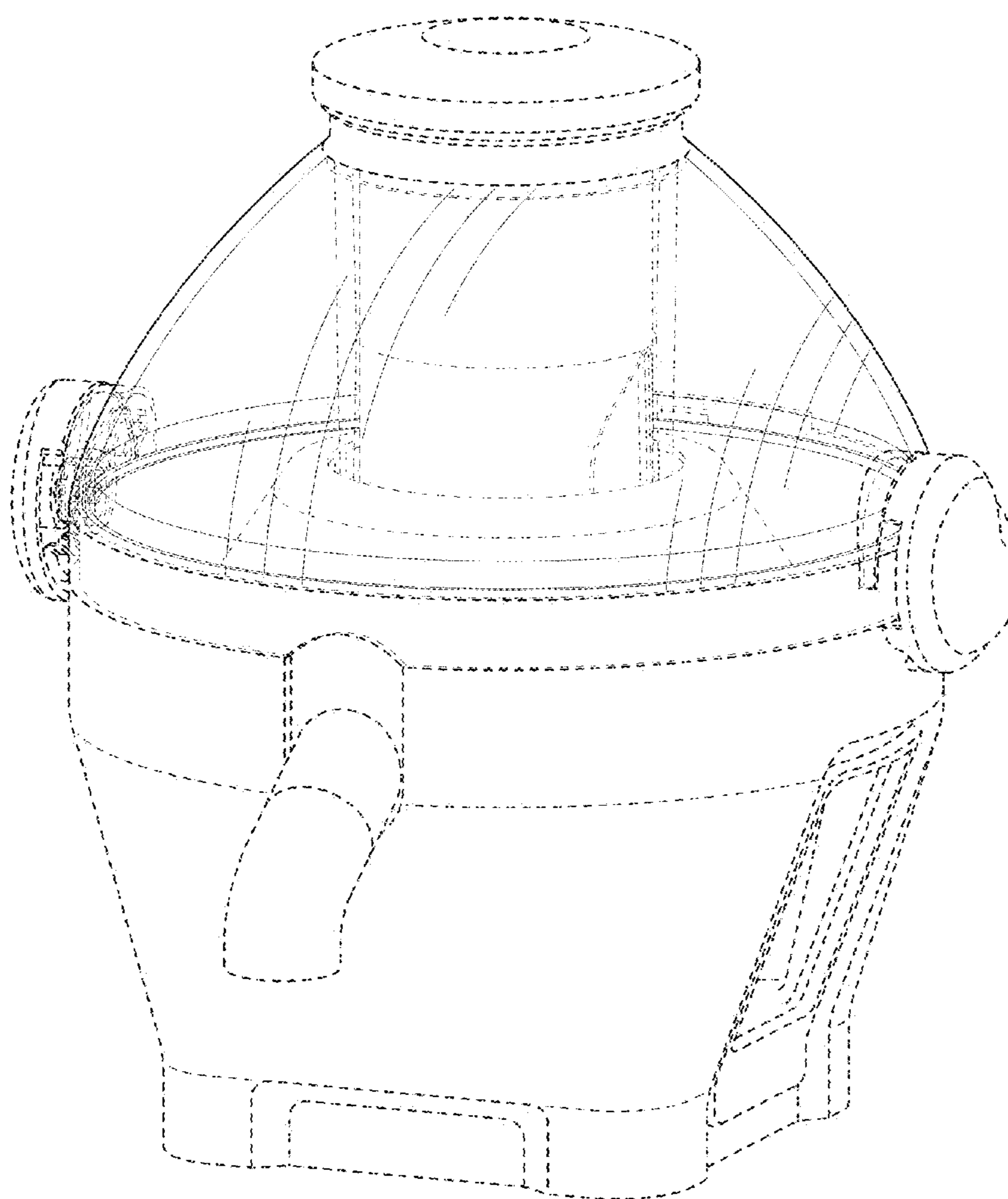


FIG. 8