



US00D706577S

(12) **United States Design Patent**  
**Funnell, II et al.**

(10) **Patent No.:** **US D706,577 S**  
(45) **Date of Patent:** **\*\* Jun. 10, 2014**

- (54) **COOKING GRILL**
- (71) Applicant: **BSH Home Appliances Corporation**,  
Irvine, CA (US)
- (72) Inventors: **Richard W. Funnell, II**, Huntington  
Beach, CA (US); **Samuel Harward**,  
Knoxville, TN (US); **Michael**  
**Rutherford**, Duff, TN (US); **Graham**  
**Sadtler**, Huntington Beach, CA (US)
- (73) Assignee: **BSH Home Appliances Corporation**,  
Irvine, CA (US)
- (\*\*) Term: **14 Years**
- (21) Appl. No.: **29/465,546**
- (22) Filed: **Aug. 29, 2013**
- (51) **LOC (10) Cl.** ..... **07-02**
- (52) **U.S. Cl.**  
USPC ..... **D7/409; D7/354**
- (58) **Field of Classification Search**  
USPC ..... D7/323, 329-332, 337-339, 346-347,  
D7/350.1-350.4, 353-367, 388-395,  
D7/402-409, 538, 542-543, 665, 698;  
D23/365; 99/324-325, 330-332,  
99/337-343, 366-369, 398, 400-418, 422,  
99/425, 444-450, 476; 126/9 B, 25 AA,  
126/25 B, 25 R, 30, 37 R, 41 R, 168, 261,  
126/378.1, 390.1; 219/368-387, 392, 400,  
219/405, 429-442, 452.11, 620-624, 725,  
219/730-735; 220/314-315, 486,  
220/573.1-573.5, 592.16, 608, 912;  
269/54.5; 312/305; 431/328  
See application file for complete search history.

(56) **References Cited**  
U.S. PATENT DOCUMENTS

3,186,331 A \* 6/1965 Dettling ..... 99/445  
3,842,726 A \* 10/1974 Fautz ..... 99/425

3,946,651 A \* 3/1976 Garcia ..... 99/444  
4,240,398 A \* 12/1980 Lindop ..... 126/25 R  
4,531,507 A \* 7/1985 Gerson ..... 126/25 B  
4,930,759 A \* 6/1990 Potter et al. .... 269/54.5  
D317,849 S \* 7/1991 Adams ..... D7/698  
D363,410 S \* 10/1995 Hazen ..... D7/359  
D364,995 S \* 12/1995 Koziol ..... D7/409  
D414,074 S \* 9/1999 Jalayer ..... D7/402  
6,024,014 A \* 2/2000 Kasai ..... 99/425  
6,176,173 B1 \* 1/2001 Holbrook et al. .... 99/401  
6,189,527 B1 \* 2/2001 Walsh et al. .... 126/25 R  
6,314,868 B1 \* 11/2001 Christensen et al. .... 99/340  
D535,514 S \* 1/2007 Cantillo ..... D7/338  
7,227,106 B2 \* 6/2007 Sung et al. .... 219/452.11  
7,263,987 B2 \* 9/2007 Sung et al. .... 126/25 R  
D554,946 S \* 11/2007 Chung ..... D7/409  
7,717,029 B2 \* 5/2010 Rowe et al. .... 99/398  
7,810,487 B2 \* 10/2010 Johnston ..... 126/168  
D651,851 S \* 1/2012 Moon et al. .... D7/409  
D655,803 S \* 3/2012 Platt ..... D23/365  
D655,804 S \* 3/2012 Platt ..... D23/365

(Continued)

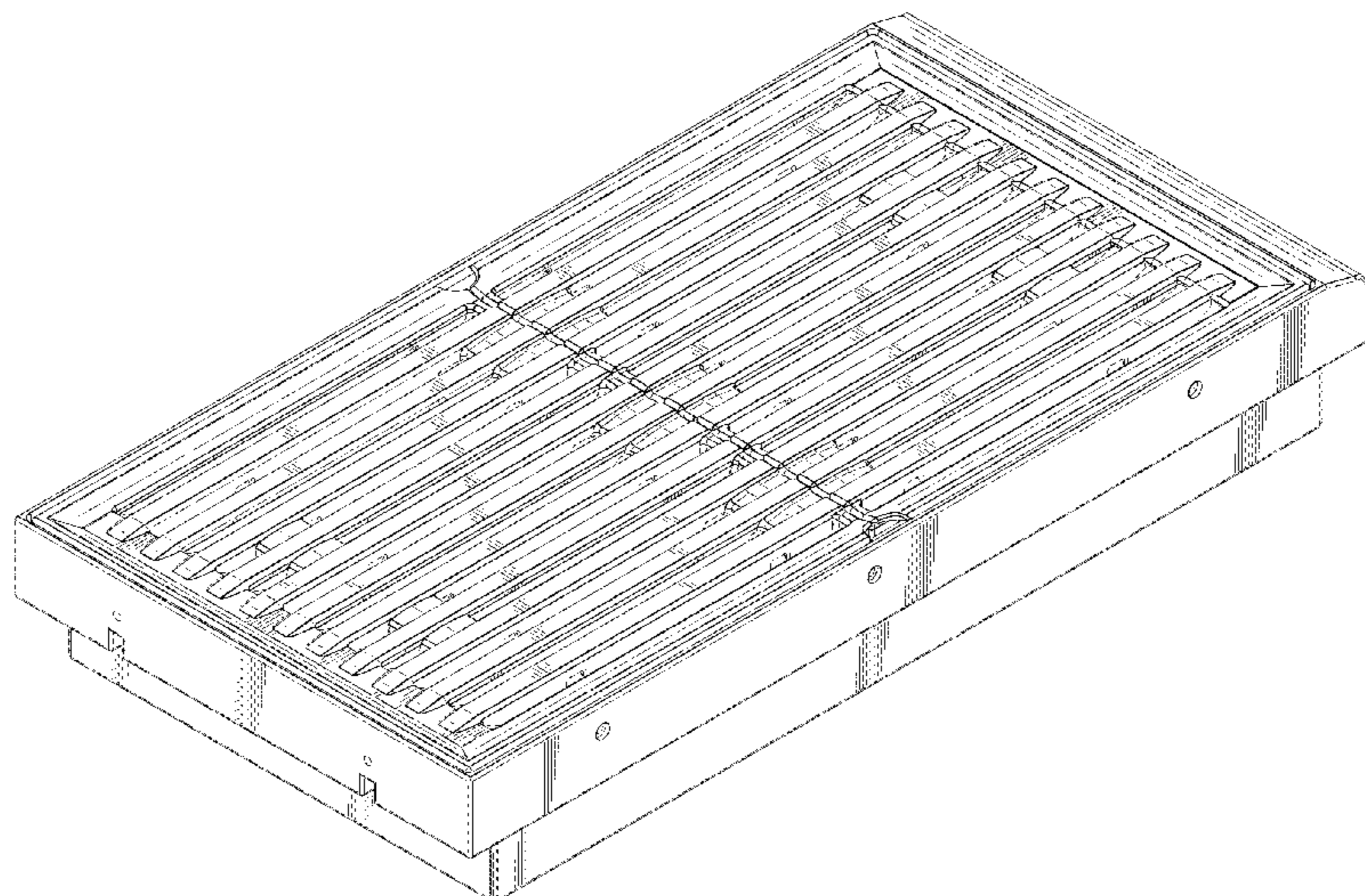
*Primary Examiner* — Ricky Pham  
(74) *Attorney, Agent, or Firm* — James E. Howard; Andre  
Pallapies

(57) **CLAIM**  
The ornamental design for a cooking grill, as shown and  
described.

**DESCRIPTION**

FIG. 1 is a top, rear, perspective view of a cooking grill  
according to our new ornamental design;  
FIG. 2 is a top view thereof;  
FIG. 3 is a rear view thereof;  
FIG. 4 is a front view thereof; and,  
FIG. 5 is a left side view thereof, with the right side view  
thereof being a mirror image.  
The broken lines represent environment or structure and do  
not form any part of the claimed design.

**1 Claim, 4 Drawing Sheets**



(56)

**References Cited**

8,602,018 B2\* 12/2013 Johnston ..... 126/25 R  
2006/0003279 A1\* 1/2006 Best ..... 431/328

U.S. PATENT DOCUMENTS

8,466,396 B2\* 6/2013 Carll et al. .... 219/734 \* cited by examiner

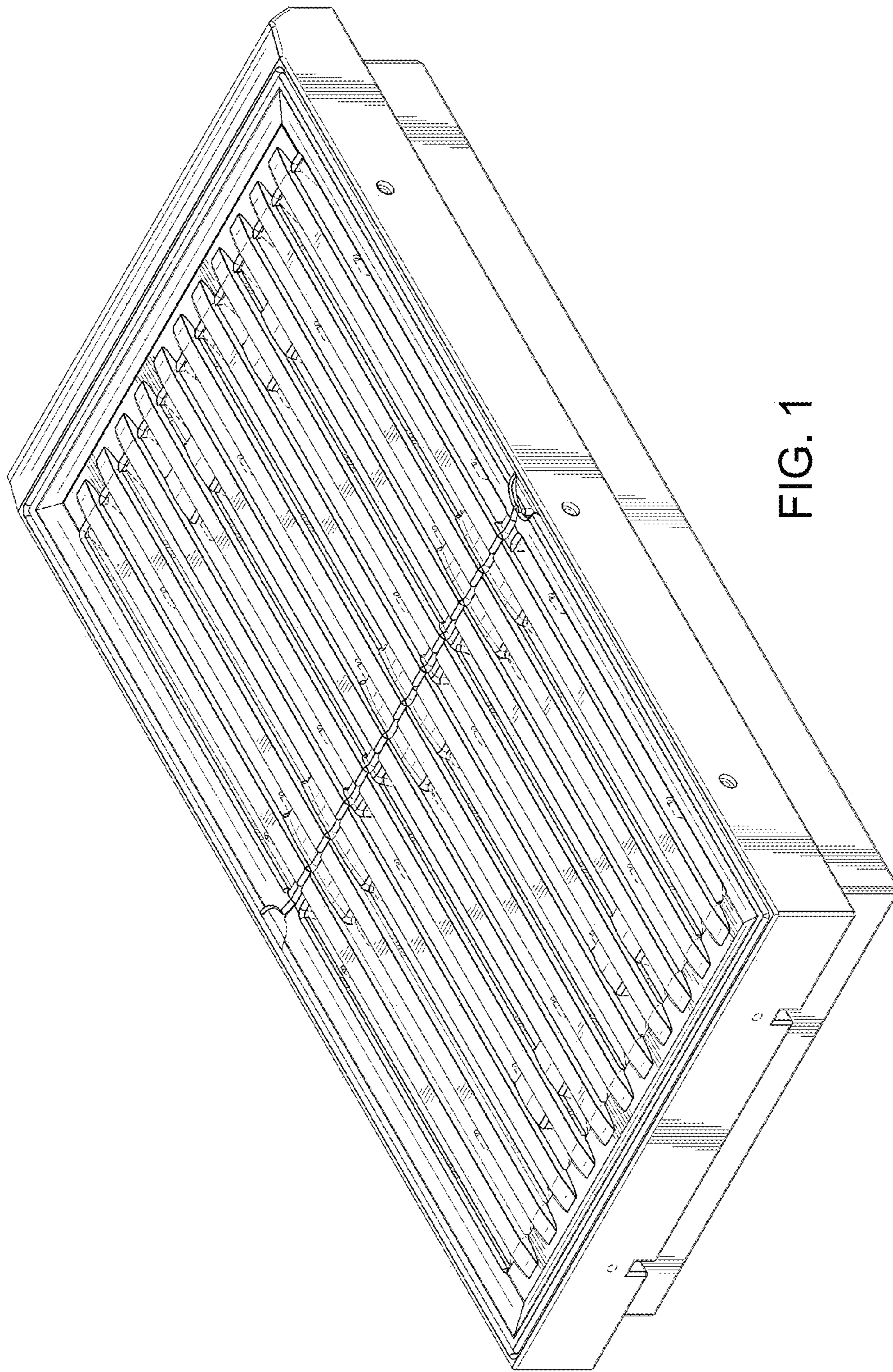


FIG. 1

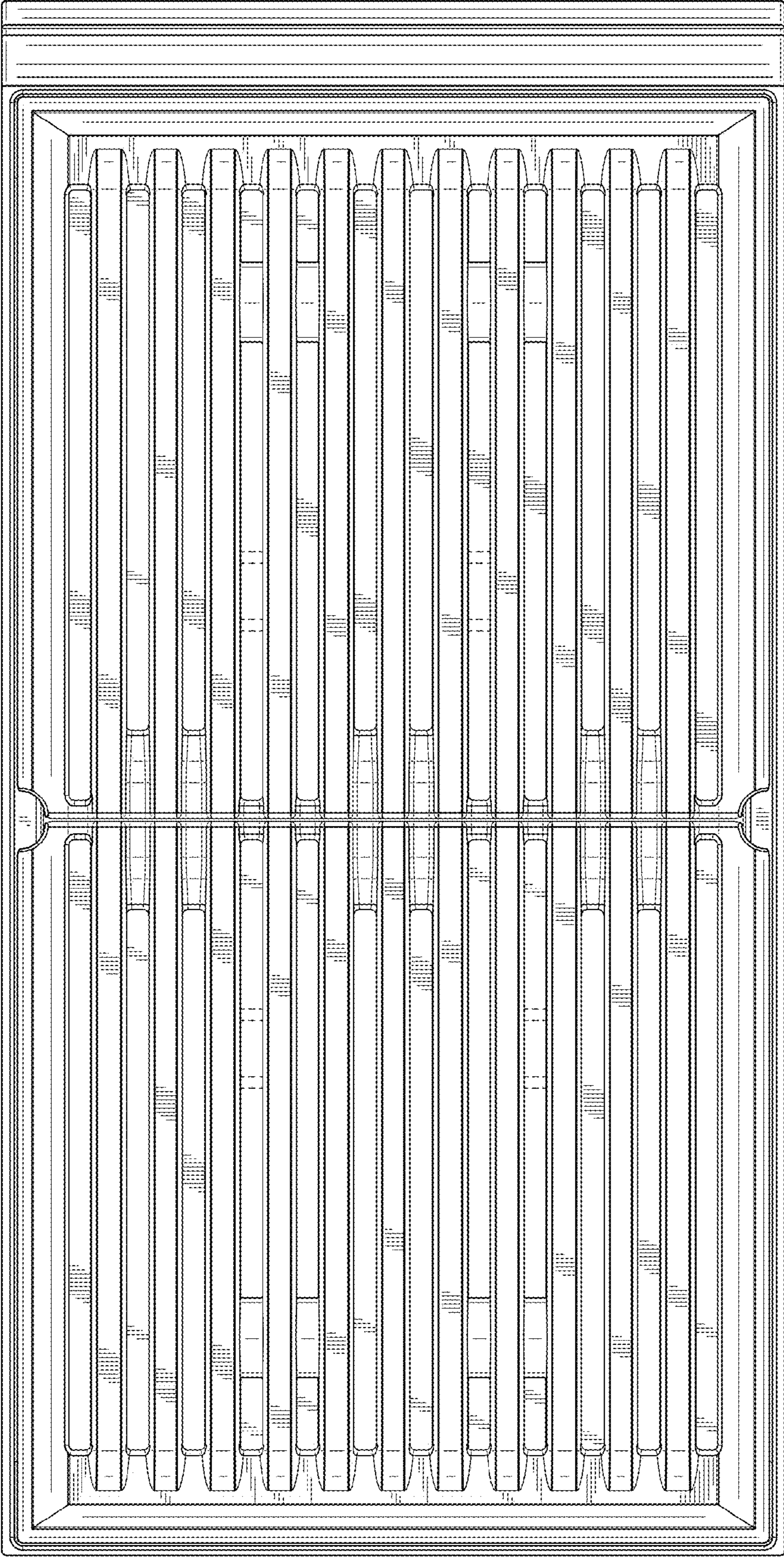


FIG. 2

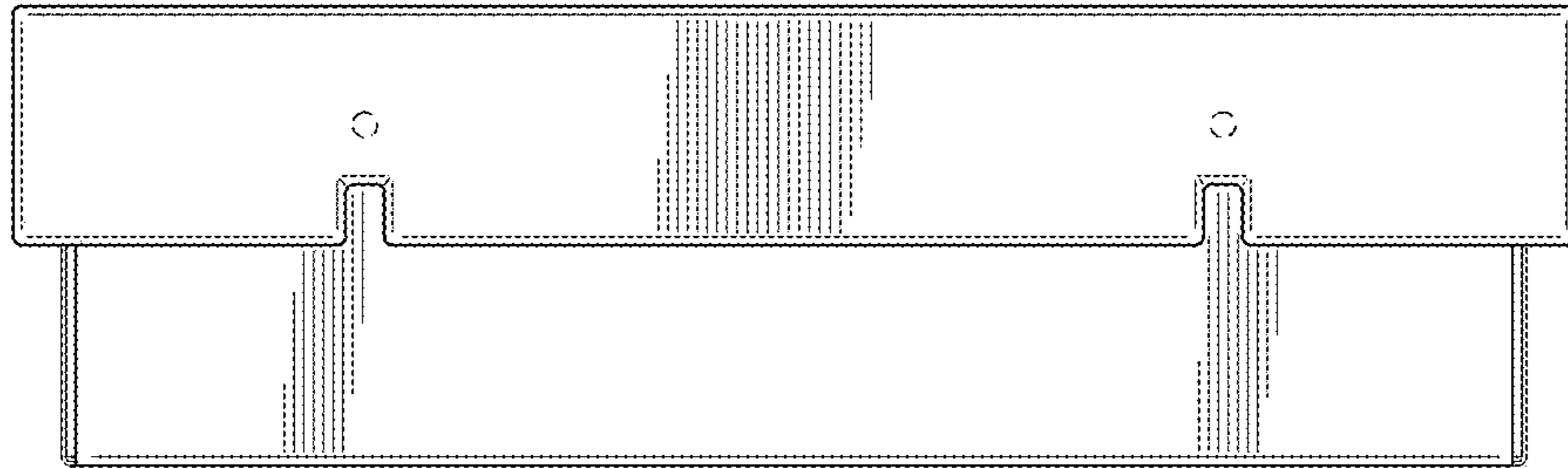


FIG. 3

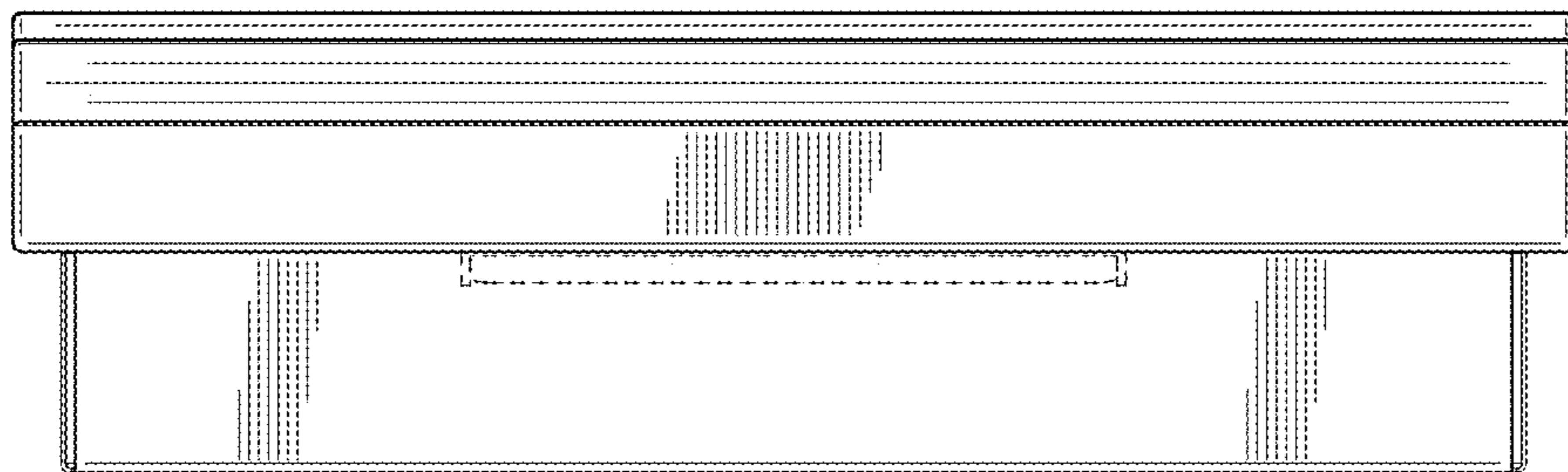


FIG. 4

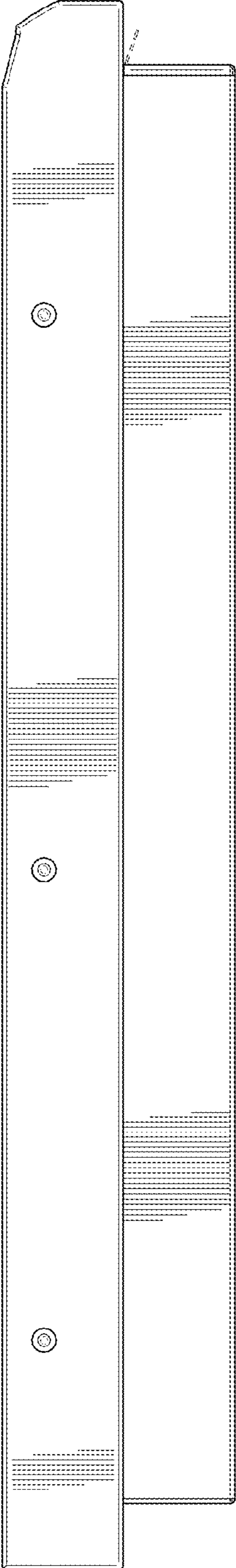


FIG. 5