



US00D706575S

(12) **United States Design Patent**
Shane-Schuldt

(10) **Patent No.:** **US D706,575 S**
(45) **Date of Patent:** **** Jun. 10, 2014**

(54) **FLATWARE**

(71) Applicant: **Oneida Ltd.**, Oneida, NY (US)

(72) Inventor: **Diane Shane-Schuldt**, Sherrill, NY (US)

(73) Assignee: **Oneida Ltd.**, Oneida, NY (US)

(**) Term: **14 Years**

(21) Appl. No.: **29/451,026**

(22) Filed: **Mar. 27, 2013**

(51) **LOC (10) Cl.** **07-03**

(52) **U.S. Cl.**
USPC **D7/401.2**; D7/642; D7/649; D7/365;
D7/661

(58) **Field of Classification Search**

USPC D7/368, 393-395, 401.2, 642-646,
D7/649-654, 660-664, 669, 675-677, 683,
D7/688-692, 695-696; 30/120.1, 137,
30/141-143, 147-150, 322-327, 329, 340,
30/342-344; 416/70 R, 75

See application file for complete search history.

(56) **References Cited**

U.S. PATENT DOCUMENTS

| | | | | |
|--------------|---------|---------------|-------|--------|
| D145,144 S * | 7/1946 | Price | | D7/653 |
| D168,151 S * | 11/1952 | Eisenberg | | D7/661 |
| D243,916 S * | 4/1977 | Guodace | | D7/663 |
| D334,118 S * | 3/1993 | Gebhardt | | D7/662 |
| D489,942 S * | 5/2004 | Shane-Schuldt | | D7/653 |
| D491,025 S * | 6/2004 | Welch | | D7/649 |
| D572,091 S * | 7/2008 | Holcomb | | D7/653 |

| | | | | |
|--------------|---------|---------------|-------|----------|
| D578,357 S * | 10/2008 | Shane-Schuldt | | D7/653 |
| D592,465 S * | 5/2009 | Coppo | | D7/649 |
| D618,055 S * | 6/2010 | Richmond | | D7/401.2 |
| D656,781 S * | 4/2012 | Holcomb | | D7/401.2 |
| D659,486 S * | 5/2012 | Williams | | D7/645 |
| D694,071 S * | 11/2013 | Williams | | D7/649 |

* cited by examiner

Primary Examiner — Ricky Pham

(74) *Attorney, Agent, or Firm* — Frost Brown Todd LLC

(57) **CLAIM**

The ornamental design for flatware, as shown and described.

DESCRIPTION

FIG. 1 is a top plan view of a new ornamental design for flatware embodied as a knife, the opposite bottom plan view being a mirror image.

FIG. 2 is a side elevation view thereof, the opposite side elevation view being an identical image.

FIG. 3 is an end view thereof, shown from the end of the handle.

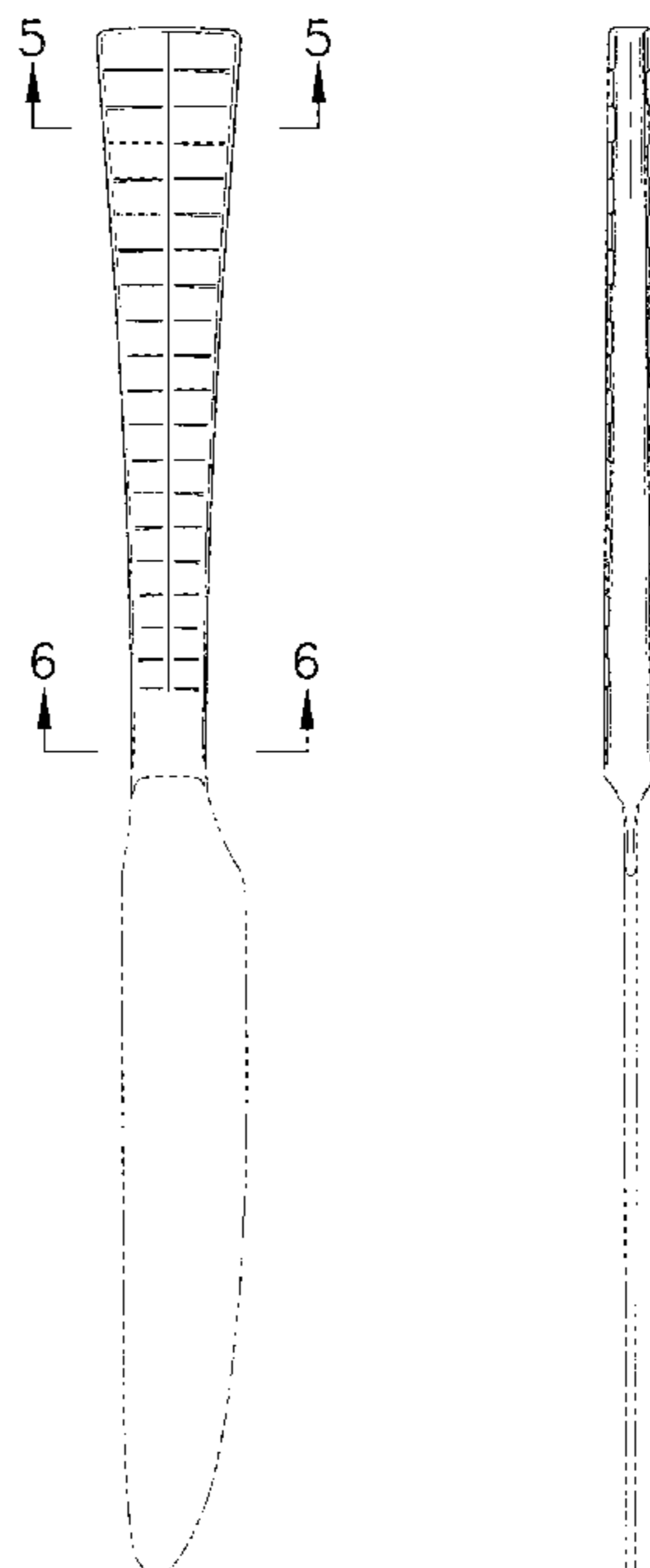
FIG. 4 is an end view thereof, shown from the opposite end of that shown in FIG. 3.

FIG. 5 is a cross-sectional view taken along section line 5-5 of FIG. 1 to illustrate the peripheral shape of the article at the cross-section; and,

FIG. 6 is a cross-sectional view taken along section line 6-6 of FIG. 1 to illustrate the peripheral shape of the article at the cross-section.

The broken lines in the drawings are included for purposes of illustrating portions of the article that form no part of the claimed design.

1 Claim, 1 Drawing Sheet



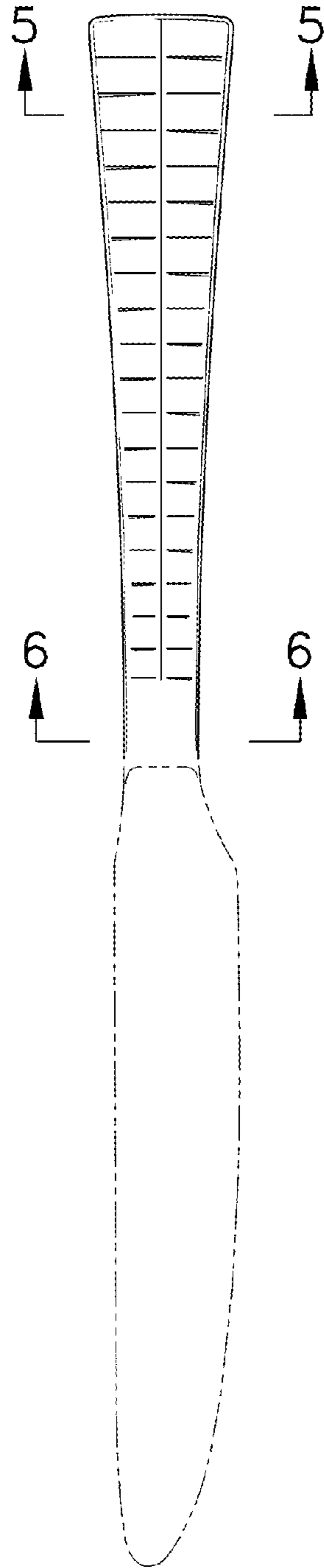


Fig. 1



Fig. 2

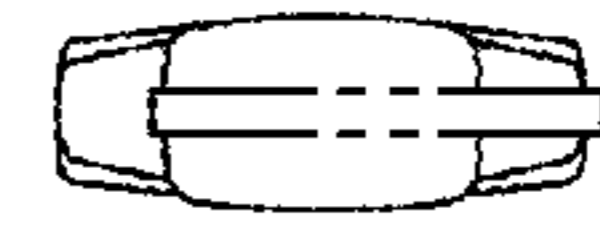


Fig. 4

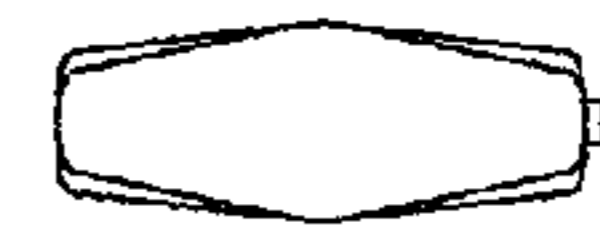


Fig. 3



Fig. 5



Fig. 6