



US00D706572S

(12) **United States Design Patent**  
**Gamble et al.**

(10) **Patent No.:** **US D706,572 S**  
(45) **Date of Patent:** **\*\* Jun. 10, 2014**

(54) **FOOD WASTE DISPOSER**

(56) **References Cited**

(71) Applicant: **Emerson Electric Co.**, St. Louis, MO (US)  
(72) Inventors: **Kelly T. Gamble**, Waterford, WI (US);  
**Robert A. Greco**, Racine, WI (US);  
**Randall E. Hammer**, Muskego, WI (US); **Christopher S. Glasgow**, St. Ann, MO (US); **Douglas K. Ritterling**, Chesterfield, MO (US)

U.S. PATENT DOCUMENTS

D431,752 S	*	10/2000	Brandel et al. ....	D7/375
D455,603 S	*	4/2002	Brandel et al. ....	D7/375
D534,760 S	*	1/2007	Patterson et al. ....	D7/375
D534,761 S	*	1/2007	Patterson et al. ....	D7/375
D535,142 S	*	1/2007	Patterson et al. ....	D7/375
D535,518 S	*	1/2007	Patterson et al. ....	D7/375
D535,850 S	*	1/2007	Patterson et al. ....	D7/375
D684,004 S	*	6/2013	Koparde et al. ....	D7/375
D684,005 S	*	6/2013	Mahale et al. ....	D7/375

(73) Assignee: **Emerson Electric Co.**, St. Louis, MO (US)

\* cited by examiner

(\*\*) Term: **14 Years**

*Primary Examiner* — Ricky Pham

(21) Appl. No.: **29/446,316**

(74) *Attorney, Agent, or Firm* — Harness, Dickey & Pierce, P.L.C.

(22) Filed: **Feb. 22, 2013**

(57) **CLAIM**

(51) **LOC (10) Cl.** ..... **31-00**

The ornamental design for a food waste disposer, as shown and described.

(52) **U.S. Cl.**  
USPC ..... **D7/375**

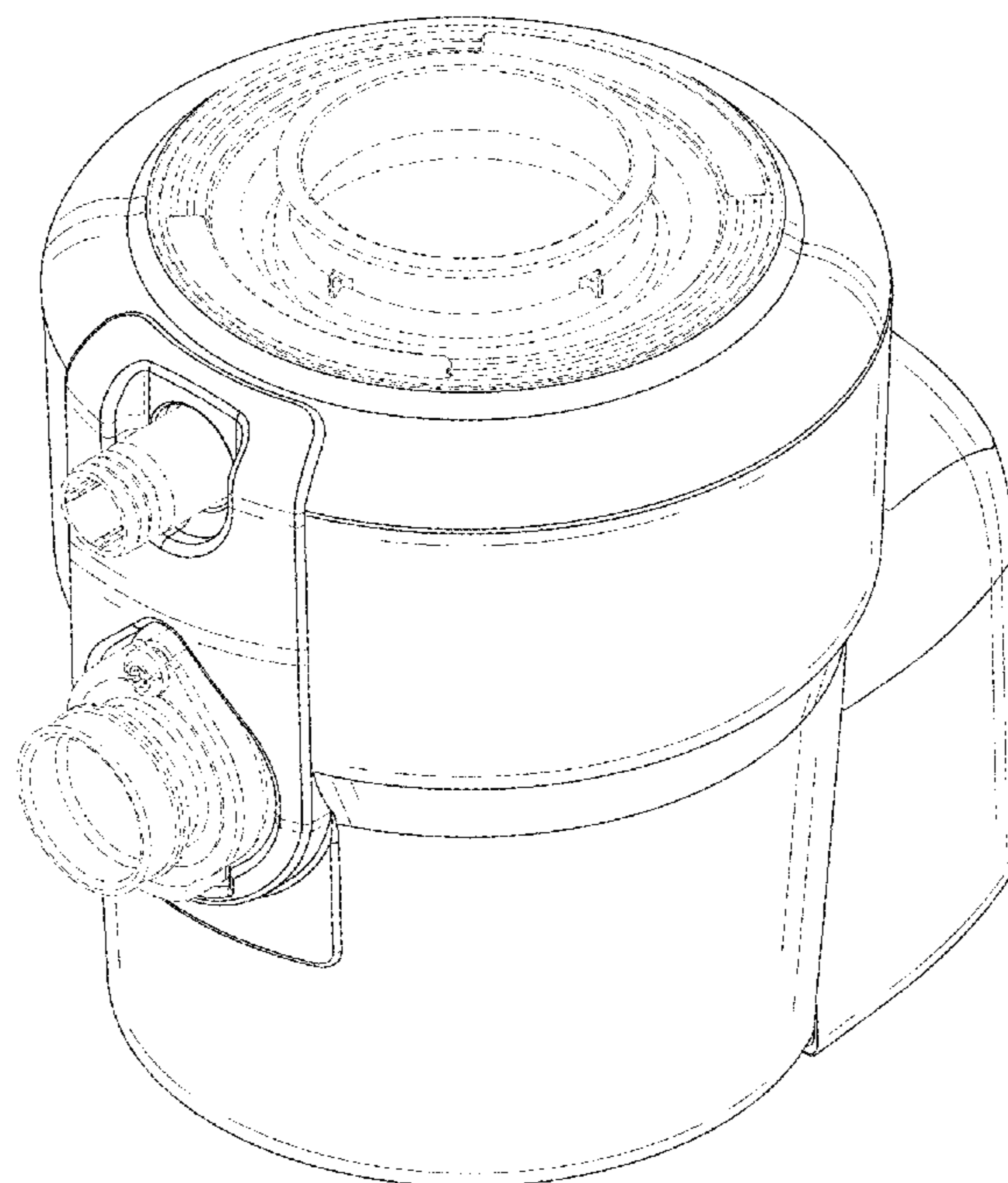
**DESCRIPTION**

(58) **Field of Classification Search**  
USPC ..... D7/301–313, 316–319, 356–357, 368, D7/372–386, 391–398, 412–415, 503, 515, D7/665, 679, 691–693; 99/326, 348, 99/492–495, 508–512; 241/21, 30–37.5, 241/46.08, 46.013–46.016, 56, 91, 241/101.01–101.2, 166–169.1, 172, 272, 241/285.1–285.3, 291, 292.1; 366/64–67, 366/98, 129, 136, 142–144, 192–211, 366/241–254, 262, 279–292, 325.8, 325.92, 366/341–347; 416/75–77, 70 R, 163

FIG. 1 is a perspective view;  
FIG. 2 is a front elevational view;  
FIG. 3 is a rear elevational view;  
FIG. 4 is a top plan view;  
FIG. 5 is a bottom plan view; and,  
FIG. 6 is a right elevational view, the left side being a mirror image thereof.  
The broken lines in all views are for the purpose of illustration and are not part of the claimed design.

See application file for complete search history.

**1 Claim, 6 Drawing Sheets**



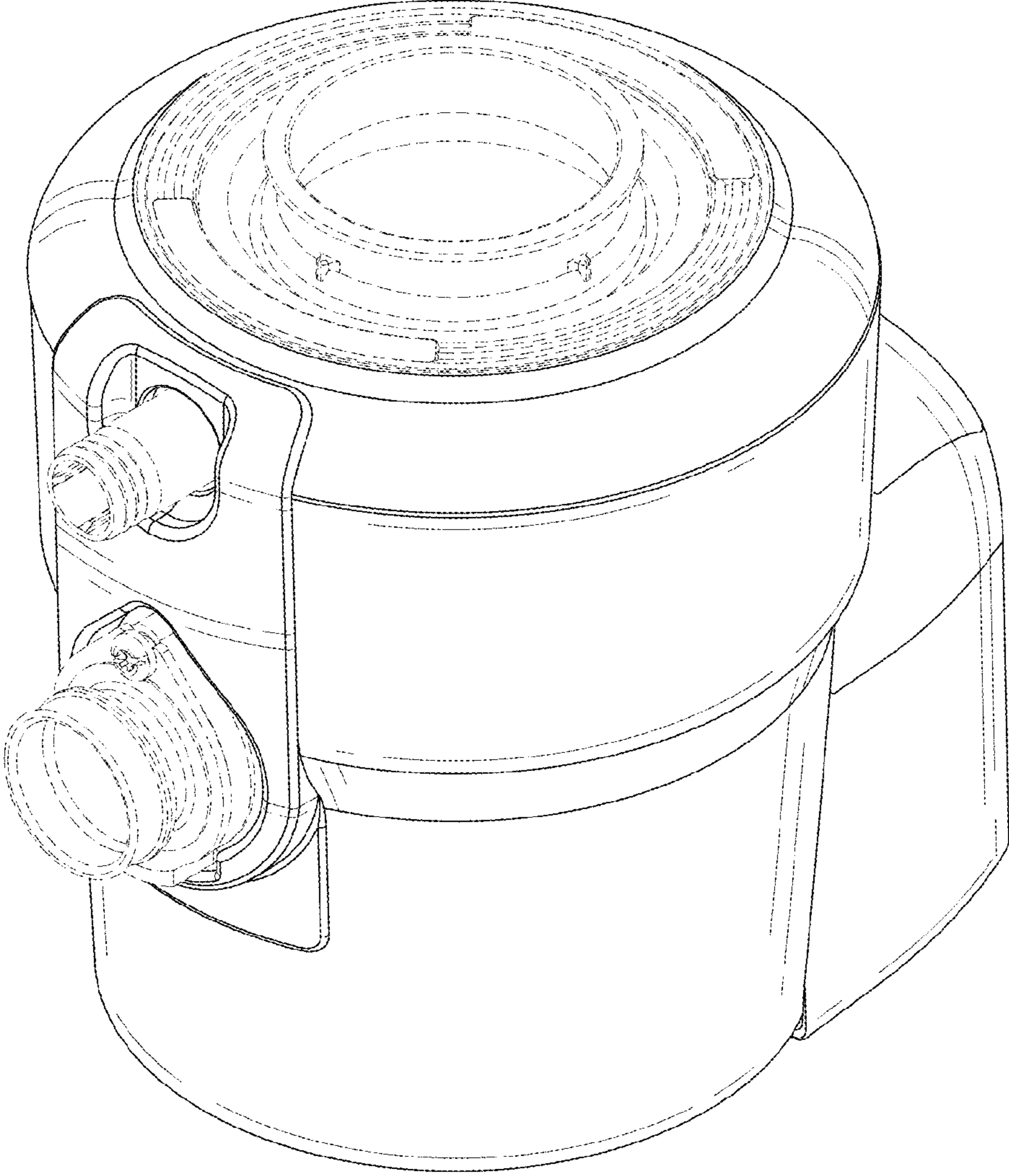


Fig-1

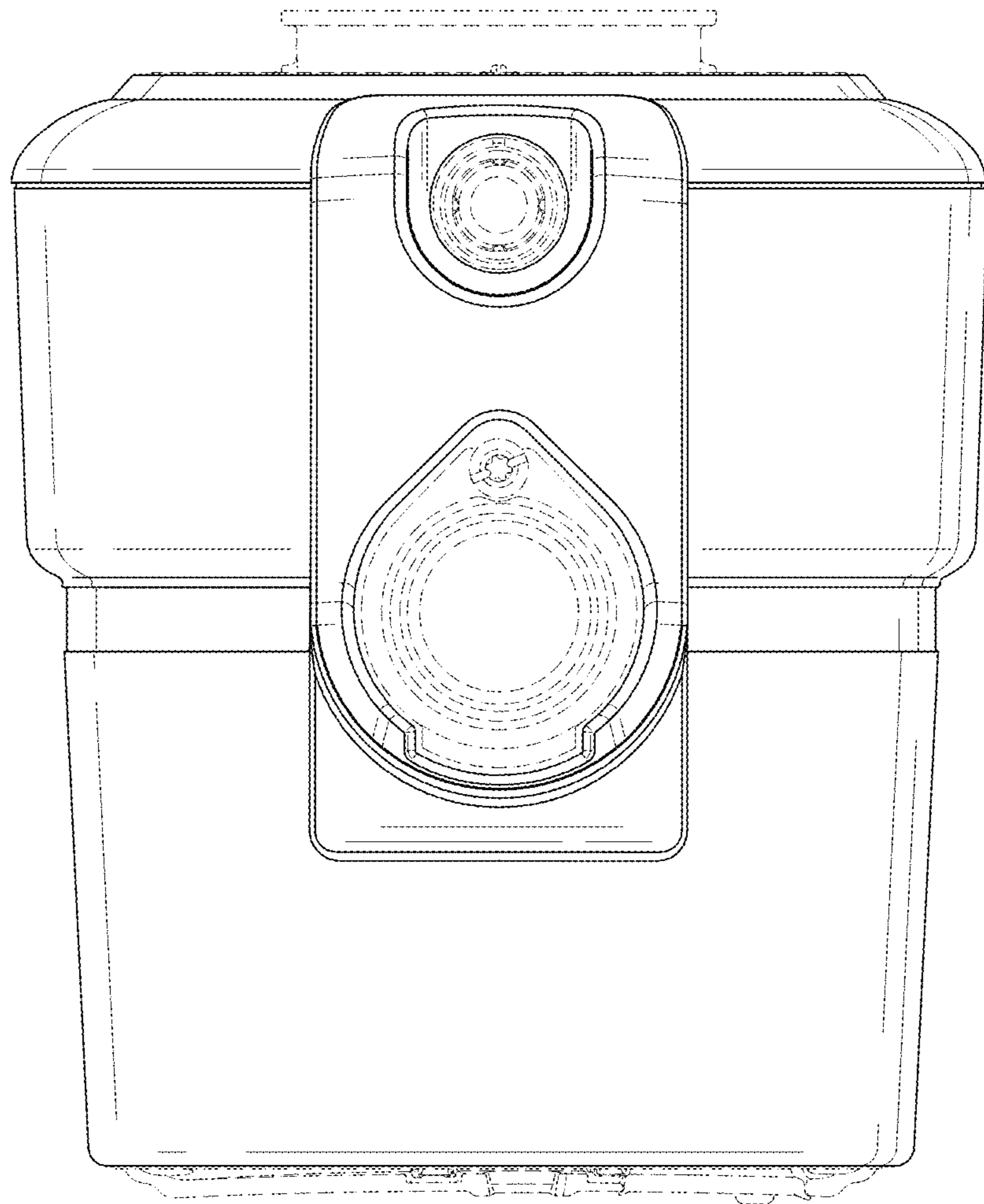


Fig-2

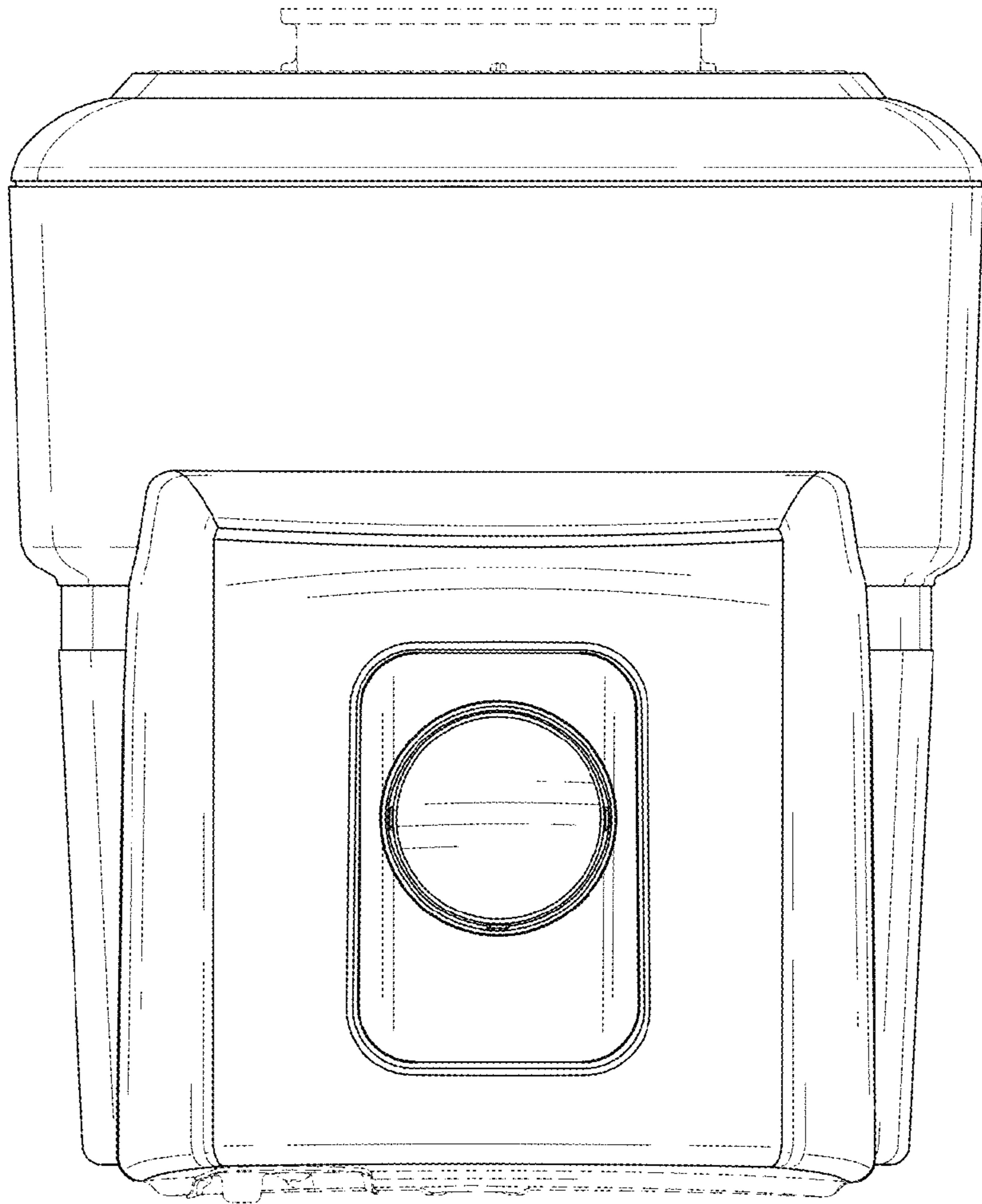


Fig-3

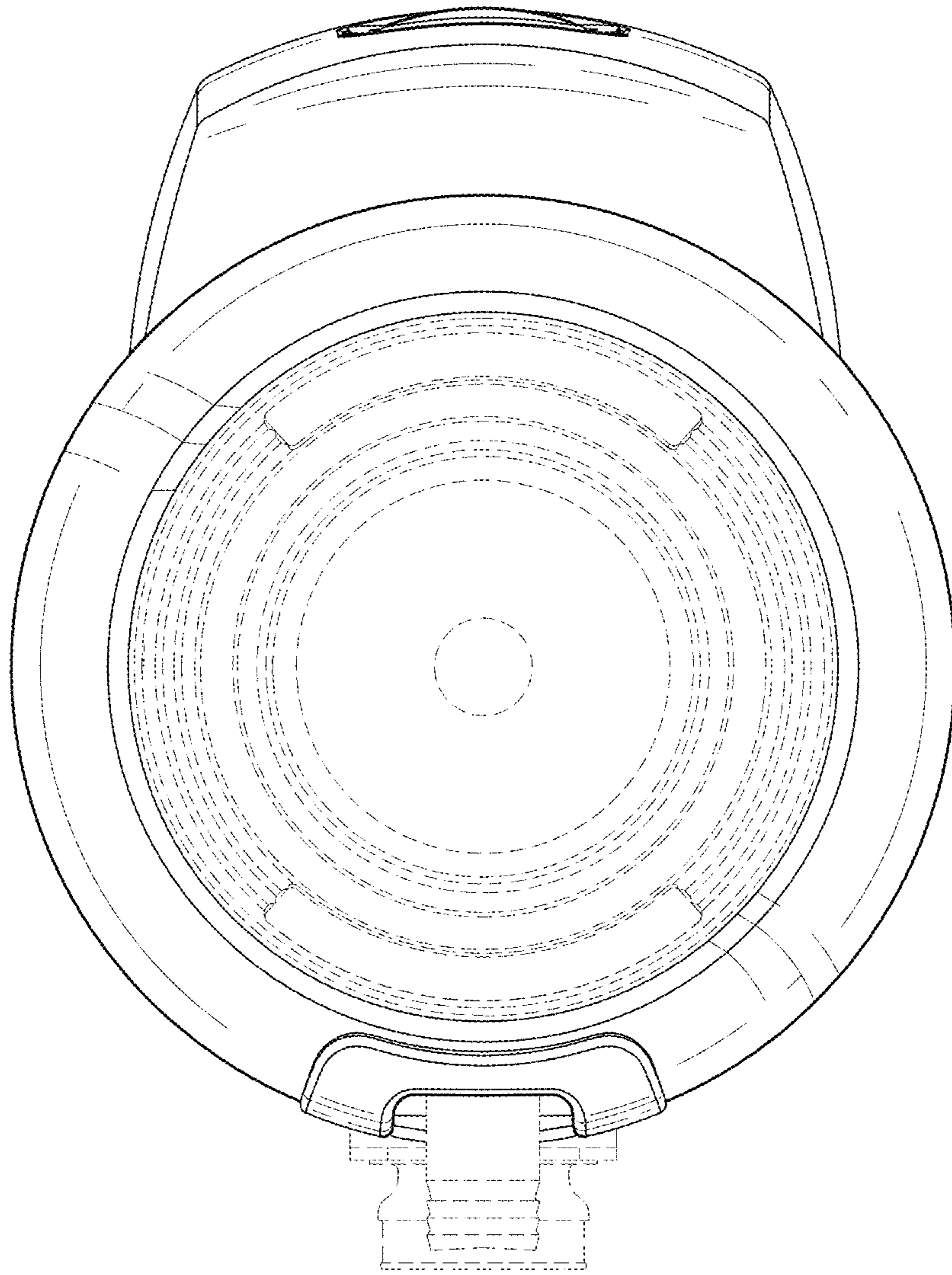


Fig-4

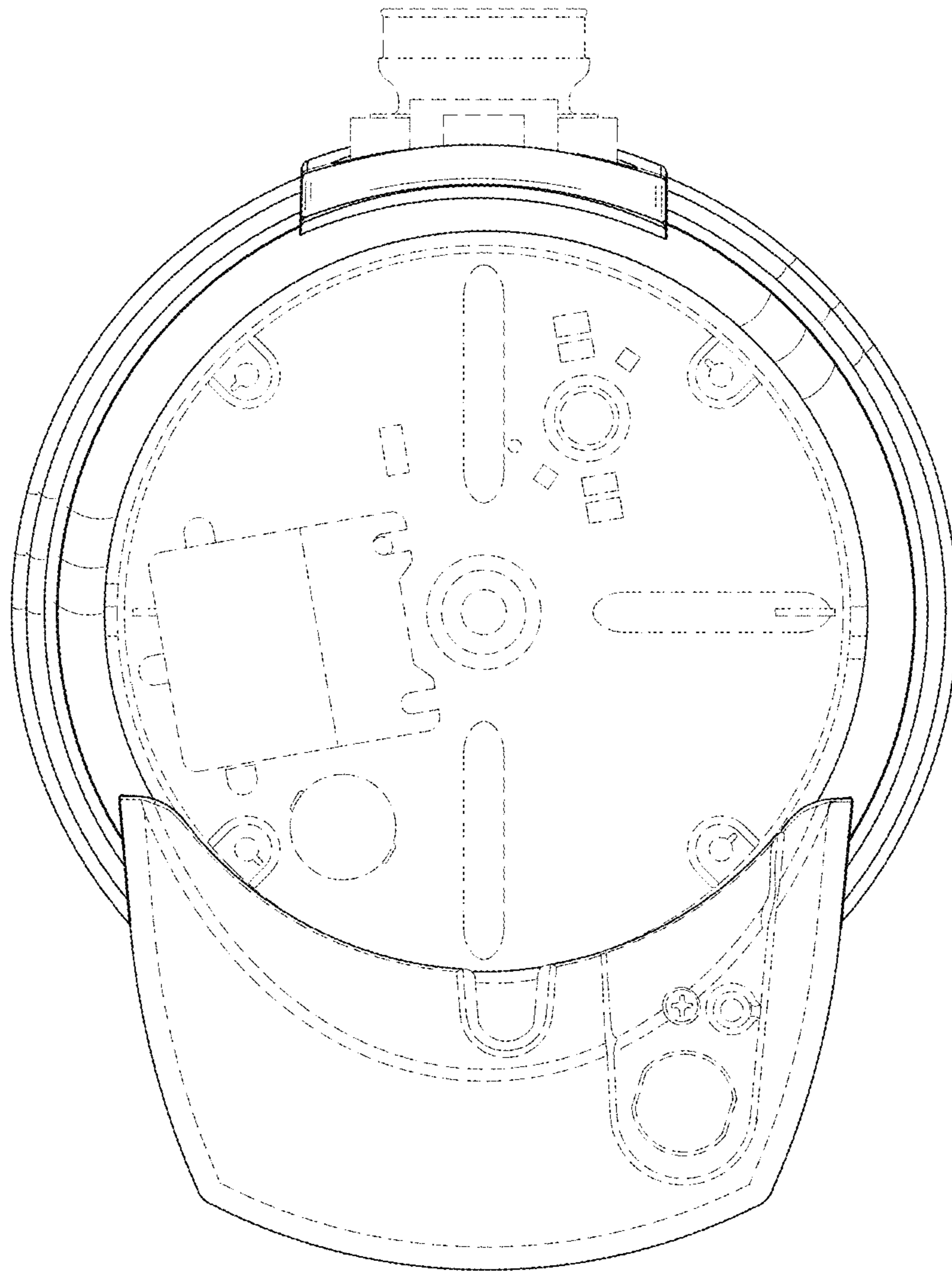


Fig-5

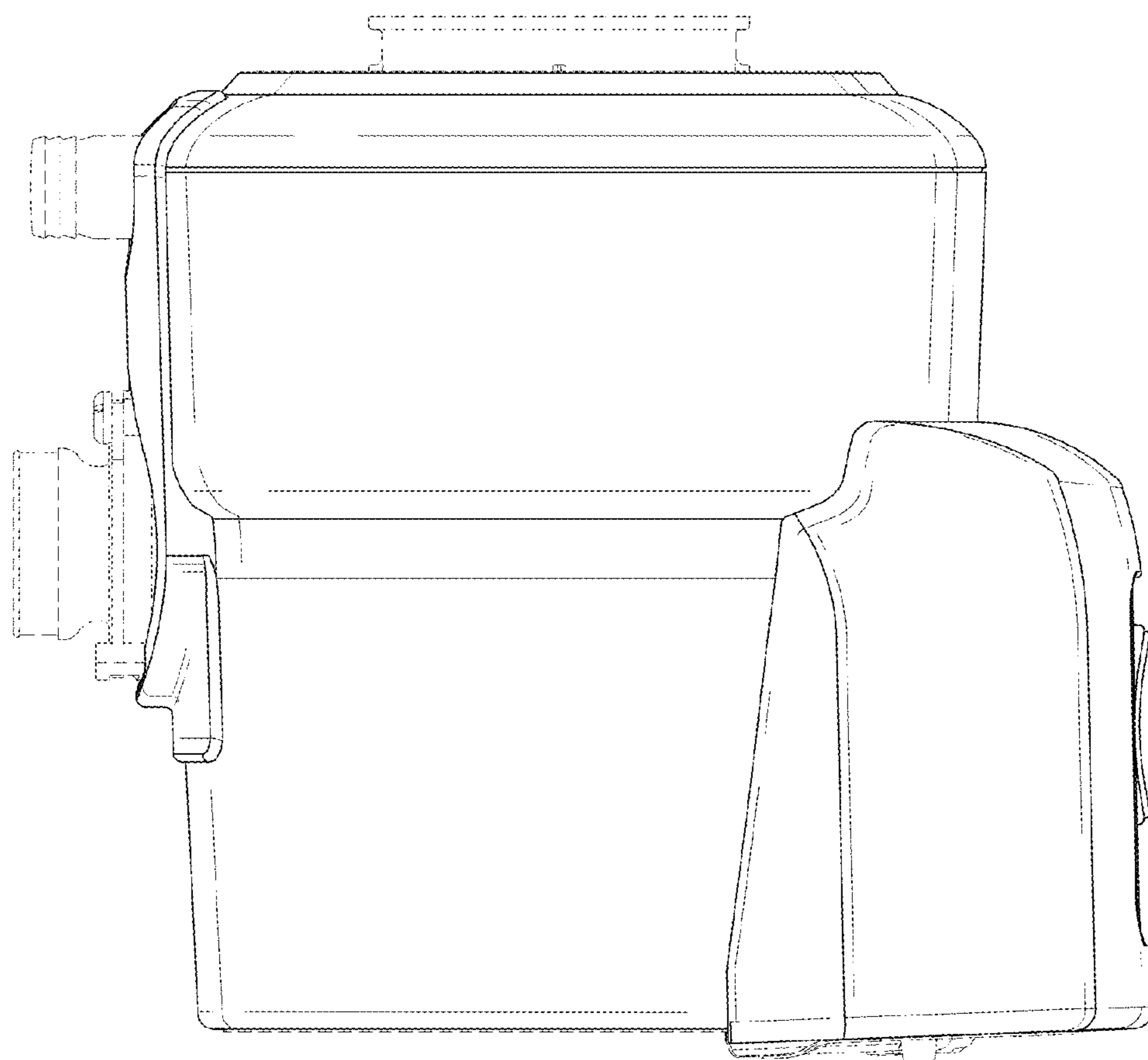


Fig-6