



US00D706571S

(12) **United States Design Patent**
Rivera et al.

(10) **Patent No.:** **US D706,571 S**
(45) **Date of Patent:** **** Jun. 10, 2014**

(54) **COOKING GRILL**

(71) Applicant: **Tropitone Furniture Co., Inc.**, Irvine, CA (US)

(72) Inventors: **Richard Rivera**, Corona, CA (US);
Brian Adam Mehler, Long Beach, CA (US)

(73) Assignee: **Tropitone Furniture Co., Inc.**, Irvine, CA (US)

(**) Term: **14 Years**

(21) Appl. No.: **29/465,809**

(22) Filed: **Aug. 30, 2013**

Related U.S. Application Data

(63) Continuation-in-part of application No. 29/431,050, filed on Aug. 31, 2012, now Pat. No. Des. 695,059.

(51) **LOC (10) Cl.** **07-02**

(52) **U.S. Cl.**
USPC **D7/359**; D7/354

(58) **Field of Classification Search**
USPC D7/323, 329-332, 337-339, 346-347, D7/350.1-350.4, 353-367, 388-395, D7/402-409, 538, 542-543, 665; 99/324-325, 330-332, 337-343, 99/366-369, 393, 400-418, 422, 425, 99/444-450, 476, 483; 126/25 AA, 25 R, 126/37 R, 41 R, 261, 378.1, 390.1; 211/1.52; 219/368-387, 392, 400, 405, 429-442, 219/452.11, 620-624, 725, 730-735; 220/314-315, 486, 573.1-573.5, 220/592.16, 608, 912; 312/305

See application file for complete search history.

(56) **References Cited**

U.S. PATENT DOCUMENTS

1,471,039 A	10/1923	Lee	
2,198,647 A *	4/1940	Wolcott	99/340
2,477,721 A *	8/1949	Chesser et al.	99/393
3,019,721 A	2/1962	Haapala	
3,079,855 A	3/1963	Valis	
3,212,426 A	10/1965	Lewus	
3,301,172 A	1/1967	Haro	
3,323,508 A	6/1967	Holman	
3,333,526 A	8/1967	Kirkpatrick	
3,347,404 A	10/1967	McIntyre	
3,516,573 A	6/1970	Mizuk	
D229,277 S	11/1973	Ming Kong	

(Continued)

FOREIGN PATENT DOCUMENTS

KR	2002-0030653	4/2002
----	--------------	--------

OTHER PUBLICATIONS

http://www.alibaba.com/product-tp/108119053/MODEL_TBP_1_BBQ_GRILL_PLATE.html, in 1 page, available on or before May 20, 2012.

(Continued)

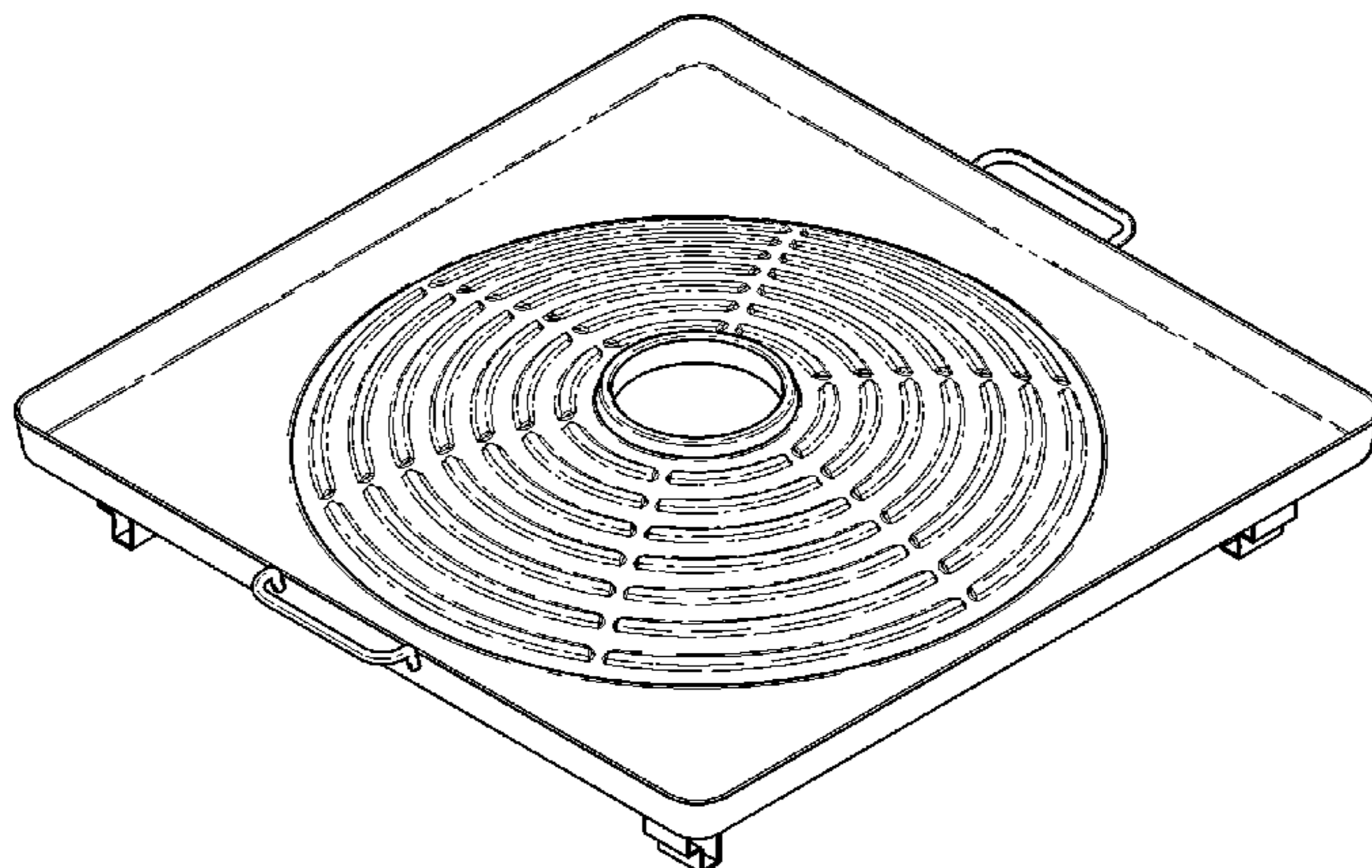
Primary Examiner — Ricky Pham
(74) *Attorney, Agent, or Firm* — Knobbe, Martens, Olson & Bear, LLP

(57) **CLAIM**
The ornamental design for a cooking grill, as shown described.

DESCRIPTION

FIG. 1 is a top, front and side perspective view of an embodiment of a cooking grill embodying our new design.
FIG. 2 is a side view thereof.
FIG. 3 is a 90 degree rotated side view thereof.
FIG. 4 is a top view thereof; and,
FIG. 5 is a bottom view thereof.

1 Claim, 4 Drawing Sheets



(56)

References Cited

U.S. PATENT DOCUMENTS

D229,656 S 12/1973 Garcia
 3,847,068 A 11/1974 Beer et al.
 3,850,087 A 11/1974 Landblom et al.
 D246,627 S 12/1977 Sugiyama
 D251,107 S 2/1979 Ottier
 4,191,437 A * 3/1980 Funke 312/305
 4,436,023 A 3/1984 Takahashi
 D282,139 S 1/1986 Radford
 4,704,955 A * 11/1987 Archibald 99/339
 4,976,252 A 12/1990 Cianciola
 5,165,328 A 11/1992 Erickson et al.
 5,195,424 A 3/1993 Guajaca
 D336,009 S 6/1993 Tringali et al.
 D339,266 S 9/1993 Lockett
 5,311,673 A 5/1994 Su
 D359,652 S 6/1995 Mendelson et al.
 5,437,108 A 8/1995 Alseth
 5,465,651 A 11/1995 Erickson et al.
 D371,719 S 7/1996 Perry
 D382,765 S 8/1997 Kellermann
 D383,355 S 9/1997 Uter
 D387,240 S 12/1997 Simmonds et al.
 5,950,526 A 9/1999 Hsu
 D428,305 S * 7/2000 Berkes D7/409
 D431,411 S 10/2000 Chang
 D440,112 S 4/2001 Su
 D442,020 S 5/2001 Pierick
 D442,822 S 5/2001 Lin
 D448,604 S 10/2001 Cho
 6,389,961 B1 5/2002 Wu
 6,457,601 B1 10/2002 Chappell
 D475,571 S 6/2003 Hopkins
 6,782,801 B1 8/2004 Correa et al.
 6,929,001 B2 8/2005 Yoon
 7,219,663 B2 5/2007 Cuomo
 D623,006 S 9/2010 Alden et al.
 D650,225 S 12/2011 Bartol et al.
 8,181,640 B2 5/2012 Park
 8,267,257 B2 * 9/2012 Doyal 211/1.52
 D671,364 S * 11/2012 Parel et al. D7/409
 8,330,083 B2 12/2012 Moon et al.
 D678,712 S 3/2013 Mehler
 D679,943 S 4/2013 Zhou
 8,424,450 B2 4/2013 Jeon et al.
 8,430,088 B1 * 4/2013 Gallaher 126/25 AA
 D684,808 S 6/2013 Mehler
 D688,087 S * 8/2013 Lee D7/362
 D695,059 S * 12/2013 Mehler et al. D7/359
 2004/0200359 A1 10/2004 Snider
 2005/0039612 A1 2/2005 Denny
 2008/0044537 A1 2/2008 Manuel
 2008/0217266 A1 * 9/2008 Doyal 211/1.52

2009/0020109 A1 * 1/2009 Rheault 126/25 R
 2009/0095168 A1 4/2009 Shu
 2010/0276414 A1 * 11/2010 Nam et al. 219/392
 2010/0307347 A1 12/2010 Menashes

OTHER PUBLICATIONS

http://www.alibaba.com/product-tp/108044193/MODEL_TP_2_BBQ_GRILL_PLATE.html, in 3 pages, available on or before May 20, 2012.
http://www.amazon.com/Castiron-Marble-Coating-Stove-Outdoor/dp/B000216TAW/ref=sr_1_4?ie=UTF8&qid=1337562464&sr=8-4, in 3 pages, available on or before May 20, 2012.
http://www.amazon.com/Mongolian-BBQ-Grill-Cast-Iron/dp/B002A3AZQO/ref=sr_1_1?ie=UTF8&qid=1337562464&sr=8-1, in 4 pages, available on or before May 20, 2012.
<http://jasonandkara.com/2007/03/10/bulgogi-korean-barbeque/>, in 1 page, available on or before May 20, 2012.
http://queenart.en.ec21.com/Bulgogi_Grill_Pan_with_Marble--2103258_2103271.html, in 1 page, available on or before May 20, 2012.
http://kimchimari.com/2012/02/25/pork-bbq-dweji-bulgogi/dsc_5793-640x425/, in 5 pages, available on or before May 20, 2012.
http://www.alibaba.com/product-free/111467453/Grill_Pan_Roast_Pan_Grill_Plate.html, in 2 pages, available on or before May 20, 2012.
<http://www.undercovergourmet.ca/2010/10/edmontons-best-korean-bbq/>, in 3 pages, available on or before May 20, 2012.
<http://www.deal.com.sg/deals/singapore/BigBang-Bulgogi-Korean-BBQ-n-Steamboat-2-in-1-Buffer-3-Price-Options-Available>, in 5 pages, available on or before May 20, 2012.
http://www.alibaba.com/product-free/112426845/Cast_Iron_Korean_Bowl_Set.html, in 2 pages, available on or before May 20, 2012.
http://www.alibaba.com/product-gs/296152366/BBQ_Grill_Plate.html, in 2 pages, available on or before May 2, 2012.
<http://www.eurocosm.com/Application/Products/cooking-products/architect-firepit-GB.asp>, in 3 pages, available on or before May 20, 2012.
http://www.alibaba.com/product-gs/300043200/BBQ_Grill_Plate.html, in 2 pages, available on or before May 20, 2012.
 Masagrill Masa Series BBQ Grill Fire Pit Insert, <http://www.wayfair.com/Masagrill-Masa-Series-BBQ-Grill-Fire-Pit-Insert-STA227-MSG1005.html>, in 3 pages, available on or before May 20, 2012.
 Brian Adam Mehler et al., U.S. Appl. No. 29/424,790, filed Jun. 15, 2012, Cooking Grill.
 Brian Adam Mehler et al., U.S. Appl. No. 29/424,792, filed Jun. 15, 2012, Cooking Grill.
 Brian Adam Mehler et al., U.S. Appl. No. 29/431,050, filed Aug. 31, 2012, Cooking Grill.

* cited by examiner

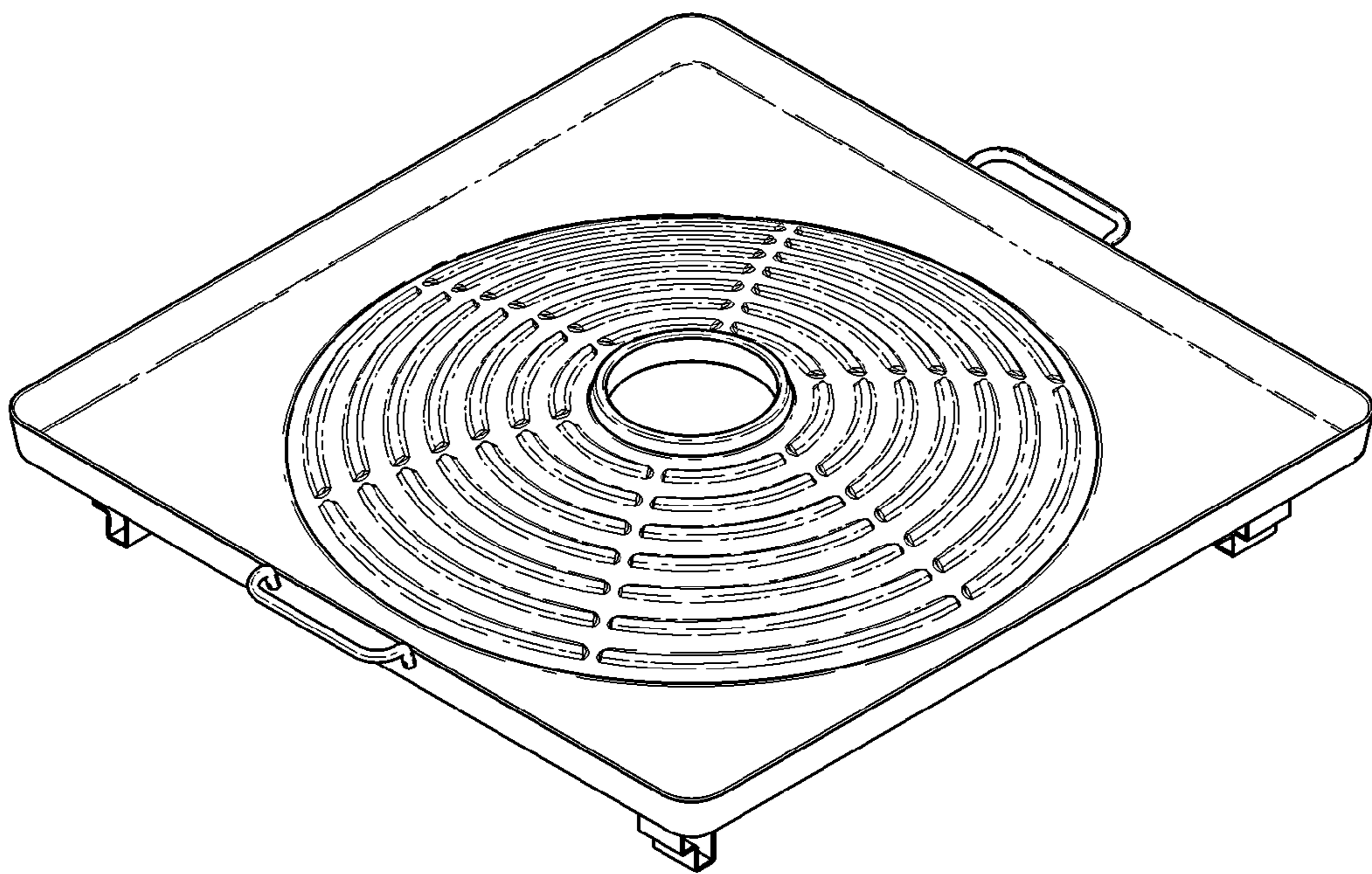


FIG. 1

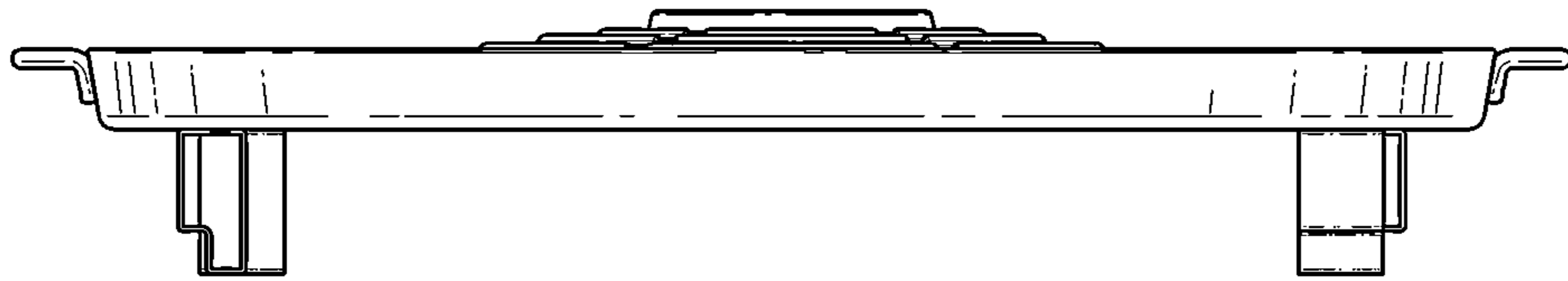


FIG. 2

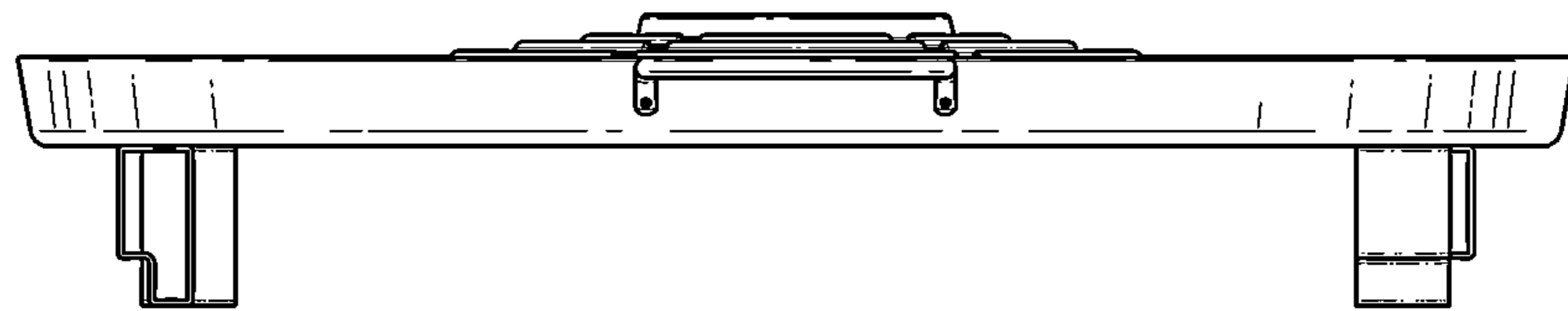


FIG. 3

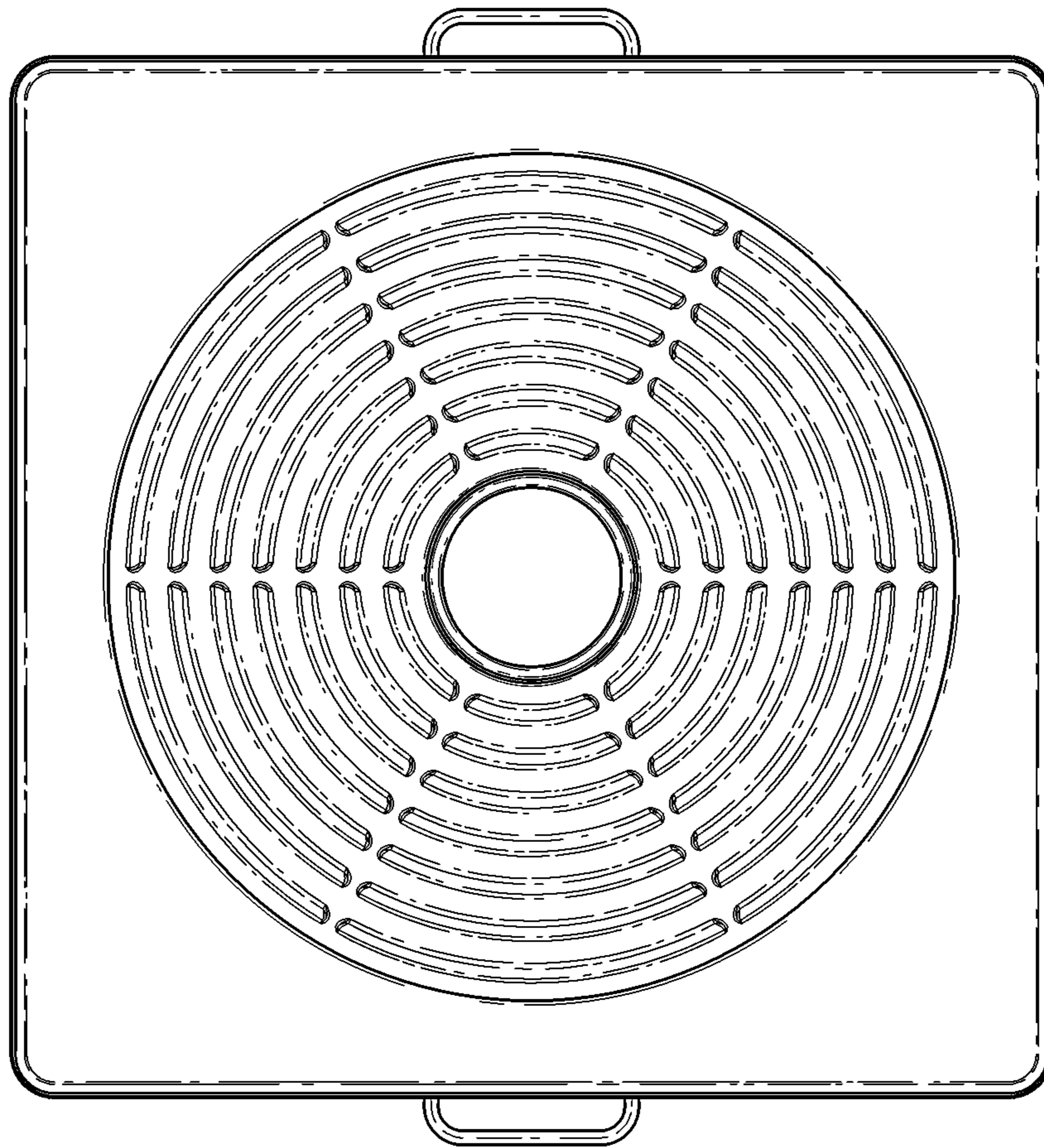


FIG. 4

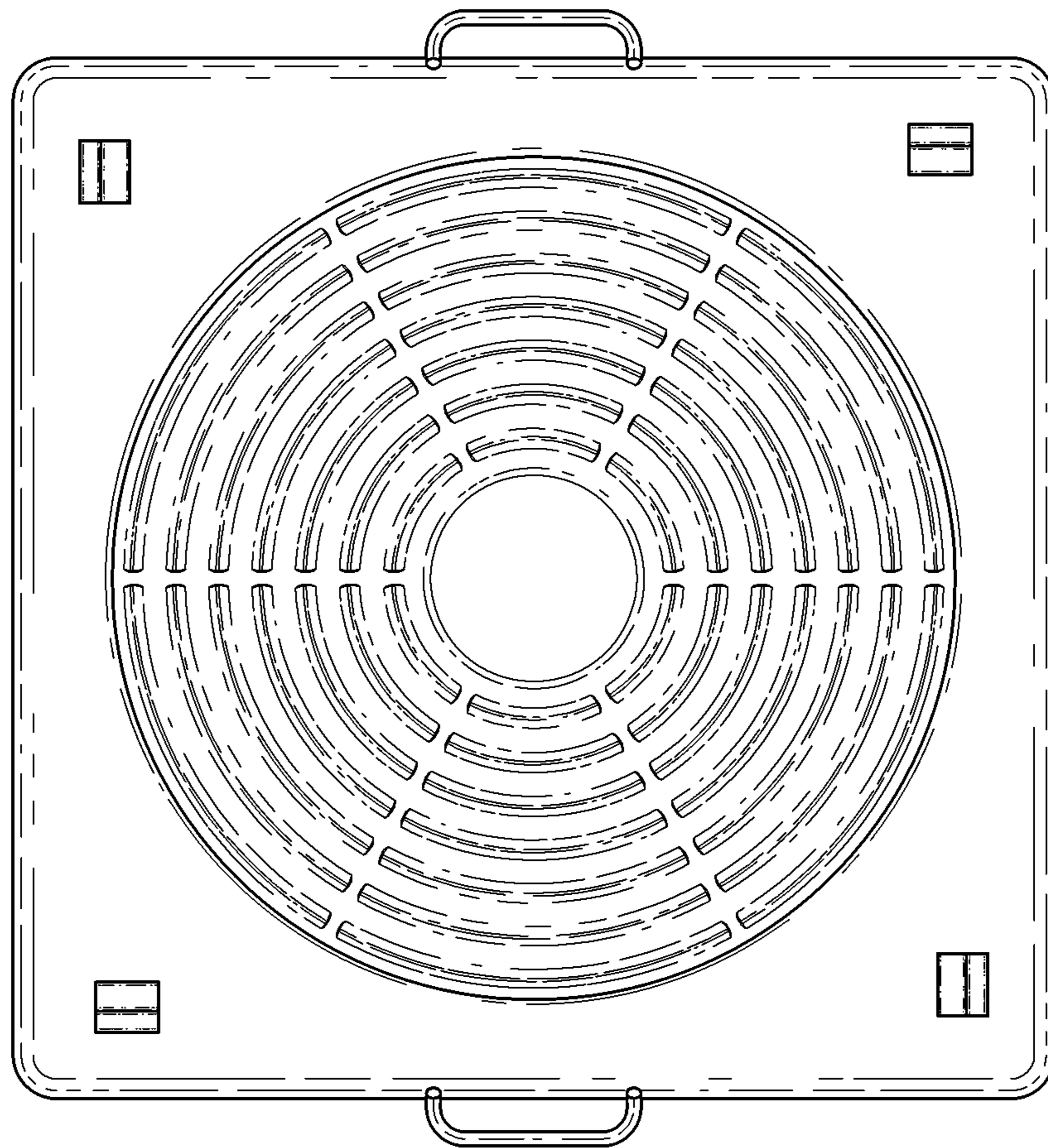


FIG. 5