



US00D706570S

(12) **United States Design Patent**
Coblentz et al.

(10) **Patent No.:** **US D706,570 S**
(45) **Date of Patent:** **** Jun. 10, 2014**

(54) **COOKING UNIT**

D97,530 S * 11/1935 Knapp D7/364

(71) Applicant: **Sensio Inc.**, Montréal (CA)

(Continued)

(72) Inventors: **Jamie Coblentz**, Montréal (CA); **Venesa Solipa**, Montréal (CA); **Victor Becerra**, Westmount (CA); **Martin Gagnon**, Blainville (CA)

FOREIGN PATENT DOCUMENTS

CN 102172316 9/2011
CN 202027406 11/2011

(Continued)

(73) Assignee: **Sensio Inc.**, Montreal (CA)

Primary Examiner — Ricky Pham

(**) Term: **14 Years**

(74) *Attorney, Agent, or Firm* — McDonell Boehnen Hulbert & Berghoff LLP

(21) Appl. No.: **29/471,019**

(22) Filed: **Oct. 28, 2013**

(57) **CLAIM**

The ornamental design for a cooking unit, as shown and described.

Related U.S. Application Data

(62) Division of application No. 29/445,270, filed on Feb. 8, 2013.

(51) **LOC (10) Cl.** **07-02**

(52) **U.S. Cl.**

USPC **D7/357**; D7/354; D7/364

(58) **Field of Classification Search**

USPC D7/307, 323, 329–332, 339, 346–347, D7/350.1–350.4, 353–367, 391–392, D7/392.1, 393, 395, 402, 406, 409, D7/538–545, 584–587, 600–602, 610–611, D7/629, 665–667, 672; D30/133; 99/324–325, 331–343, 369, 400–418, 99/422, 425, 426, 440, 451, 483; 126/37 R, 126/261, 374.1, 378.1, 381.1, 385.1; 206/501–505, 507–508; 219/400, 405, 219/417, 429–442, 452.11, 620–624, 725, 219/730–735; 220/203.05, 203.07, 203.09, 220/298, 315–316, 573.1–573.5, 912; 426/438, 441

See application file for complete search history.

DESCRIPTION

FIG. 1 is a perspective view taken from a top, front, left side of a cooking unit, according to our new design, in which the cooking unit comprises two cooking subassemblies; FIG. 2 is a front elevation view thereof; FIG. 3 is a rear elevation view thereof; FIG. 4 is a left side elevation view thereof; FIG. 5 is a right side elevation view thereof; FIG. 6 is a top plan view thereof; and, FIG. 7 is a bottom plan view thereof.

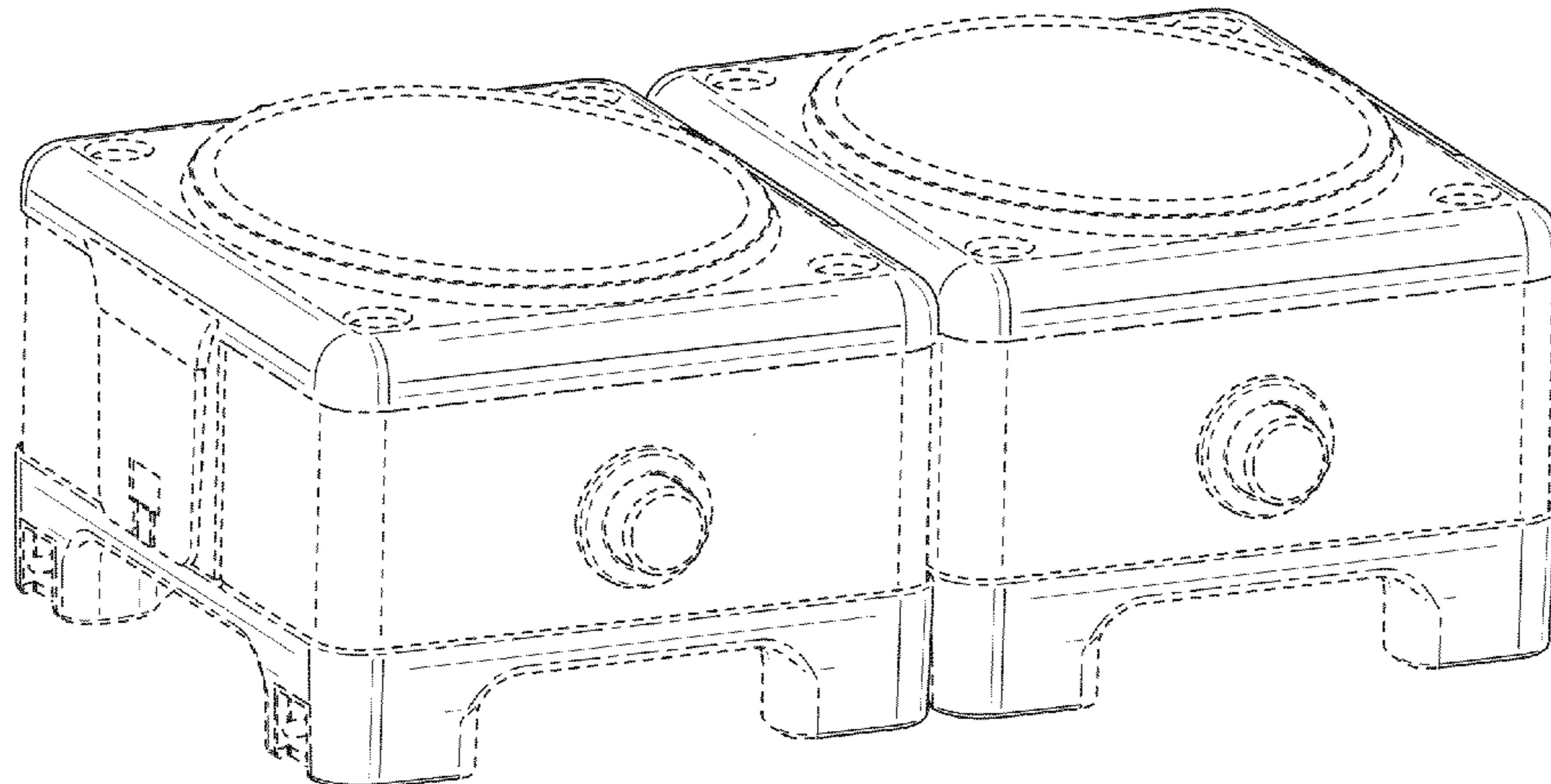
The design consists of the visual features of the portions of the cooking unit shown in solid lines in the drawings. Throughout the Figures, where shown: (i) the dotted lines showing additional structure of the cooking unit are for illustrative purposes only and form no part of the claimed design; (ii) the unshaded surfaces do not form part of the claimed design; and (iii) the dotted/dashed lines illustrate unclaimed boundaries of surfaces claimed as part of the design. Portions of the cooking unit not shown in the Figures and not otherwise described in this Specification do not form part of the claimed design.

(56) **References Cited**

U.S. PATENT DOCUMENTS

D93,901 S * 11/1934 Von Nessen D7/357

1 Claim, 6 Drawing Sheets



(56)

References Cited

U.S. PATENT DOCUMENTS

2,024,259 A 12/1935 Troeber et al.
 D113,632 S 3/1939 Howlett
 2,731,539 A * 1/1956 Pavelka, Jr. 219/417
 D230,935 S 3/1974 Lloveras
 D247,946 S 5/1978 Painter et al.
 D248,079 S 6/1978 Painter et al.
 D260,958 S 9/1981 Nishikawa
 D272,978 S * 3/1984 Gremponrez et al. D7/357
 D279,956 S 8/1985 Eyck et al.
 D290,083 S * 6/1987 Dricken et al. D7/357
 4,873,921 A 10/1989 Piane, Sr.
 4,920,873 A 5/1990 Stevens
 D420,247 S 2/2000 Kaney et al.
 6,066,840 A 5/2000 Baldwin et al.
 D429,596 S 8/2000 Hlava et al.
 D433,869 S 11/2000 Wong et al.
 D434,940 S 12/2000 Hlava et al.
 D441,251 S * 5/2001 Drumm D7/366
 D444,342 S 7/2001 Kruepke et al.
 D444,664 S 7/2001 Dobson et al.
 D444,993 S 7/2001 Dobson et al.
 D445,298 S 7/2001 DeBord et al.
 6,274,847 B1 8/2001 Hlava et al.
 6,274,848 B1 8/2001 Von Mosshaim
 6,509,550 B1 1/2003 Li
 6,593,552 B1 7/2003 Li
 6,621,054 B2 9/2003 Von Mosshaim
 6,653,602 B2 11/2003 Li
 D483,218 S 12/2003 Fino et al.
 6,686,569 B2 2/2004 Li
 D488,670 S 4/2004 Chan
 6,867,394 B2 3/2005 Li
 D503,584 S 4/2005 White et al.
 6,884,971 B2 4/2005 Li
 D507,452 S 7/2005 Chan
 6,927,365 B2 8/2005 Li
 D511,268 S 11/2005 Ryan
 D511,643 S 11/2005 Ball et al.
 7,009,149 B2 3/2006 White et al.
 7,012,221 B2 3/2006 Li
 D520,806 S 5/2006 Ryan
 D528,353 S 9/2006 Brady et al.
 D541,585 S * 5/2007 Lee D7/364
 7,339,140 B2 * 3/2008 Tidey 219/429
 D565,342 S 4/2008 Ryan
 D566,457 S 4/2008 Ryan
 D566,459 S * 4/2008 Doo D7/364
 D567,016 S 4/2008 Chan
 D568,676 S 5/2008 Steiner et al.
 D575,578 S 8/2008 Ball
 D575,579 S 8/2008 Ball
 D581,202 S 11/2008 Tetreault et al.
 D585,235 S 1/2009 Tetreault et al.
 7,485,831 B2 2/2009 Tynes et al.
 D588,858 S 3/2009 Tetreault et al.
 D590,204 S 4/2009 Tetreault et al.

D590,205 S 4/2009 Tetreault et al.
 D590,654 S 4/2009 Perkins et al.
 D592,444 S 5/2009 Tetreault
 7,605,349 B2 10/2009 Gaynor et al.
 D606,803 S 12/2009 Picozza et al.
 D606,804 S 12/2009 Picozza et al.
 D607,266 S 1/2010 Picozza et al.
 D610,395 S 2/2010 Perkins
 D614,908 S 5/2010 Berge
 D614,909 S 5/2010 Lavy
 D617,134 S 6/2010 Perkins
 D620,744 S 8/2010 Rose
 D621,560 S * 8/2010 McMurphy D30/133
 7,820,947 B2 10/2010 Gaynor et al.
 D628,849 S 12/2010 Tetreault et al.
 D632,126 S 2/2011 Tetreault
 D632,130 S 2/2011 Tetreault et al.
 D635,818 S 4/2011 Tse
 7,943,888 B2 5/2011 Barnes et al.
 7,947,928 B2 5/2011 Tynes et al.
 D641,202 S 7/2011 Bock et al.
 D642,424 S 8/2011 Lavy et al.
 D642,856 S 8/2011 Bock et al.
 D644,476 S 9/2011 Gregory et al.
 D648,981 S 11/2011 Lavy et al.
 D651,039 S 12/2011 O'Neill et al.
 D651,845 S 1/2012 O'Neill et al.
 D655,972 S 3/2012 Foy
 D657,993 S 4/2012 Pantaleo
 D666,454 S 9/2012 Lavy et al.
 D667,175 S * 9/2012 McMurphy D30/133
 D669,731 S 10/2012 Endres et al.
 D674,650 S 1/2013 Day et al.
 D675,864 S * 2/2013 Endres et al. D7/364
 2002/0033390 A1 * 3/2002 Von Mosshaim 219/452.11
 2003/0116556 A1 6/2003 Li
 2003/0132215 A1 7/2003 Li
 2003/0132216 A1 7/2003 Li
 2004/0007564 A1 1/2004 Li
 2004/0094532 A1 5/2004 Li
 2004/0159649 A1 8/2004 Li
 2004/0188412 A1 9/2004 Li
 2005/0029249 A1 2/2005 Wanat
 2005/0173402 A1 8/2005 White et al.
 2007/0034200 A1 2/2007 Torre
 2007/0210061 A1 9/2007 Tynes et al.
 2007/0210062 A1 9/2007 Gaynor et al.
 2008/0053984 A1 3/2008 Gaynor et al.
 2009/0039071 A1 2/2009 Tynes et al.
 2010/0230398 A1 9/2010 Tynes et al.

FOREIGN PATENT DOCUMENTS

DE 452530 11/1927
 EP 2050374 4/2009
 EP 1844688 6/2010
 GB 394368 6/1933

* cited by examiner

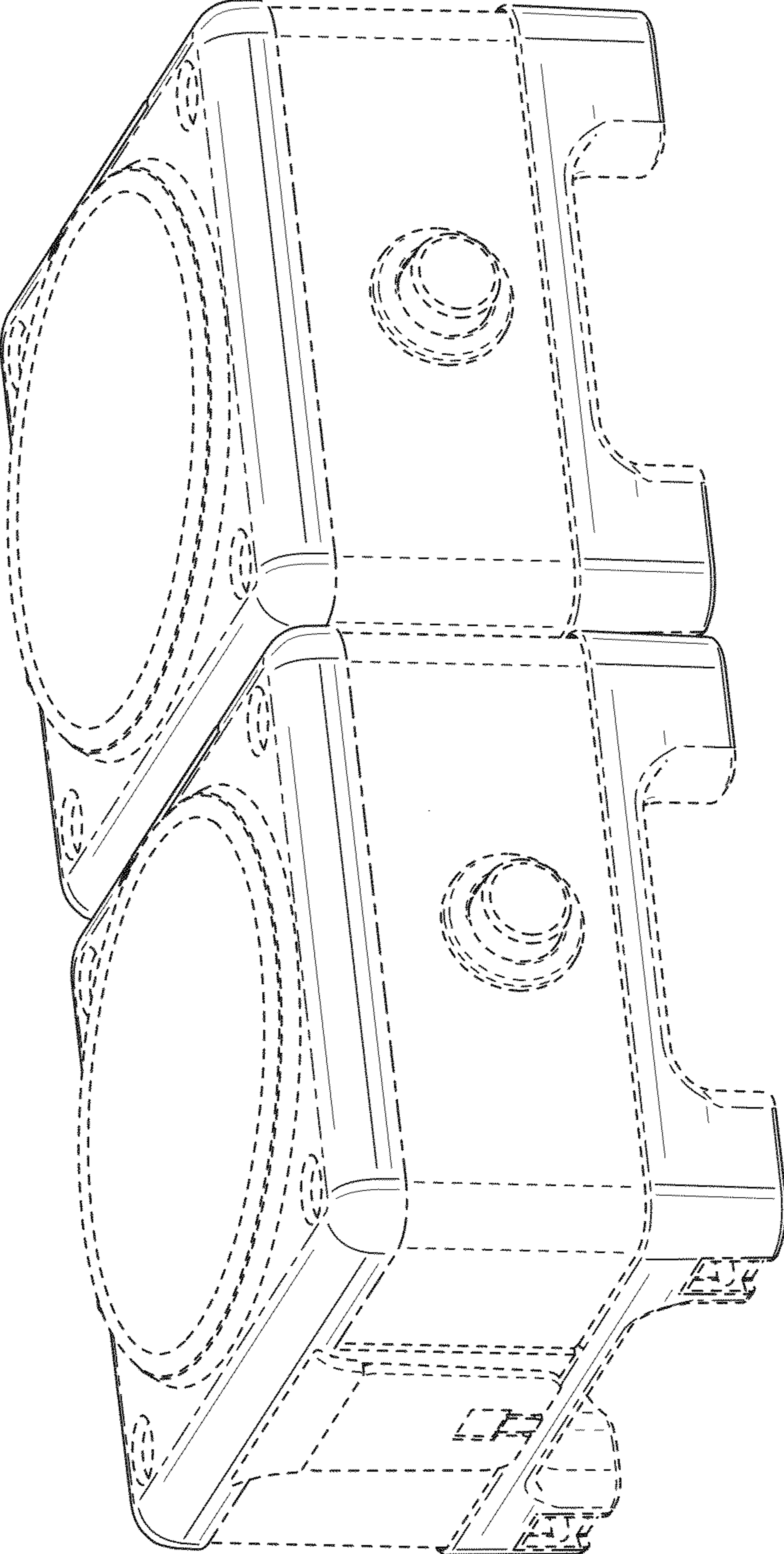


FIG.1

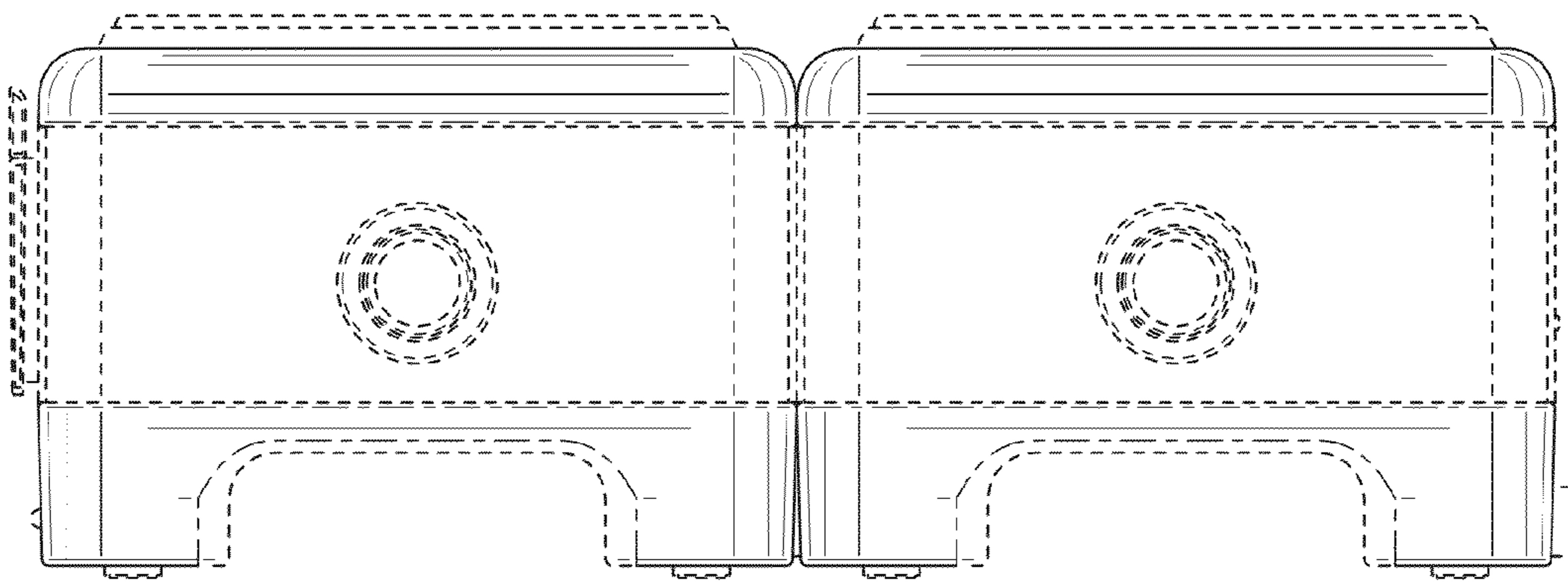


FIG. 2

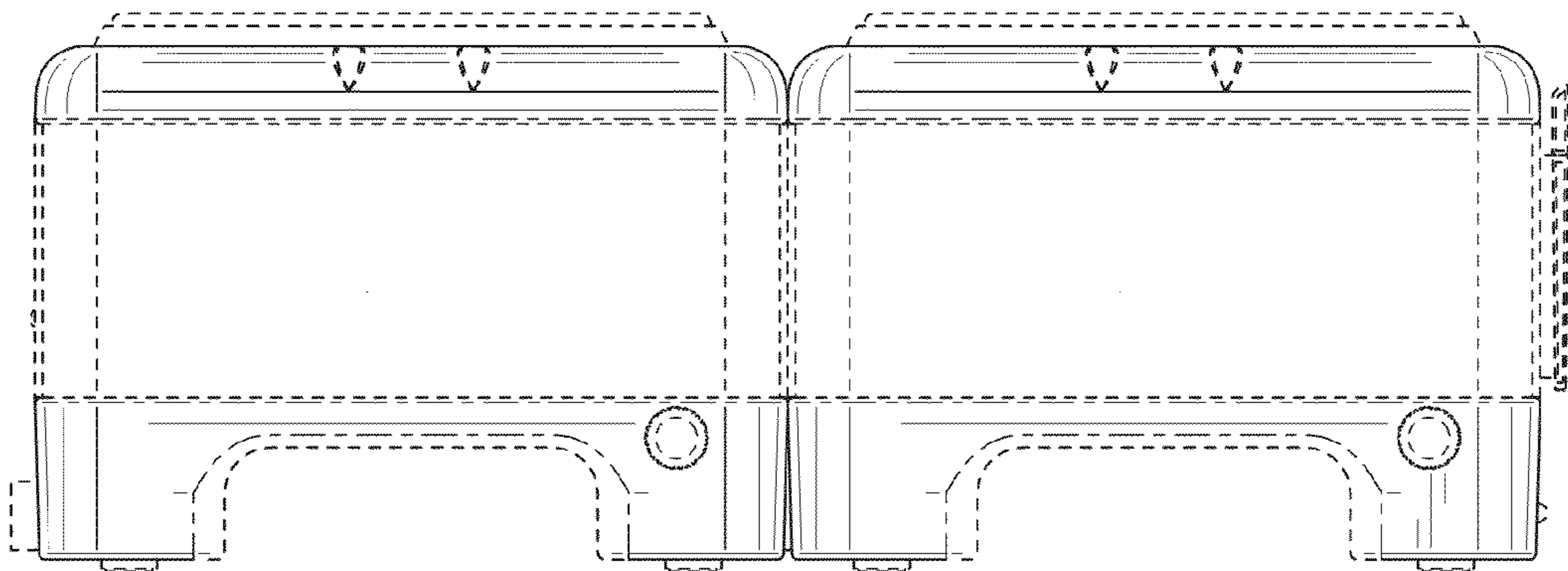


FIG. 3

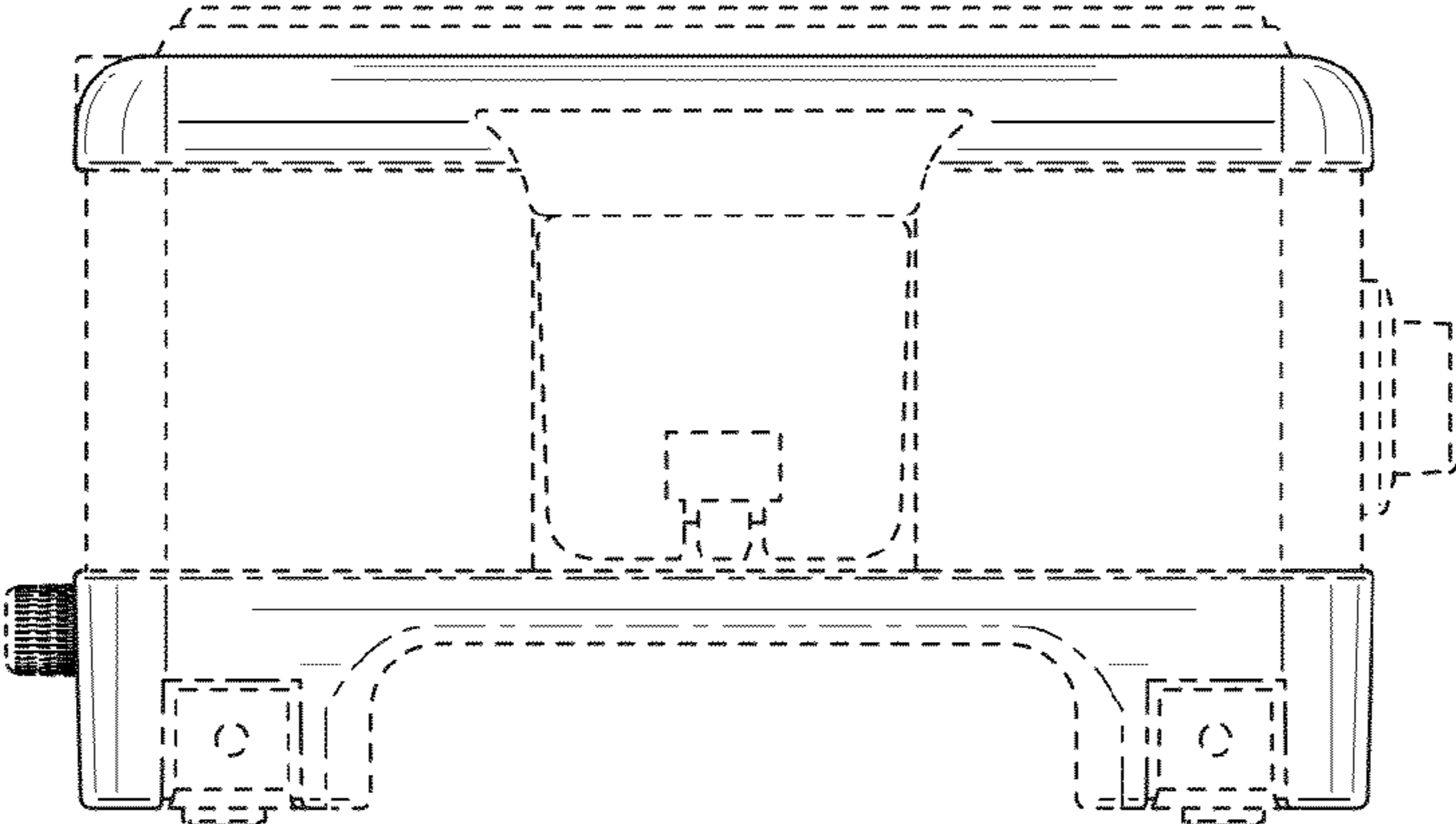


FIG. 4

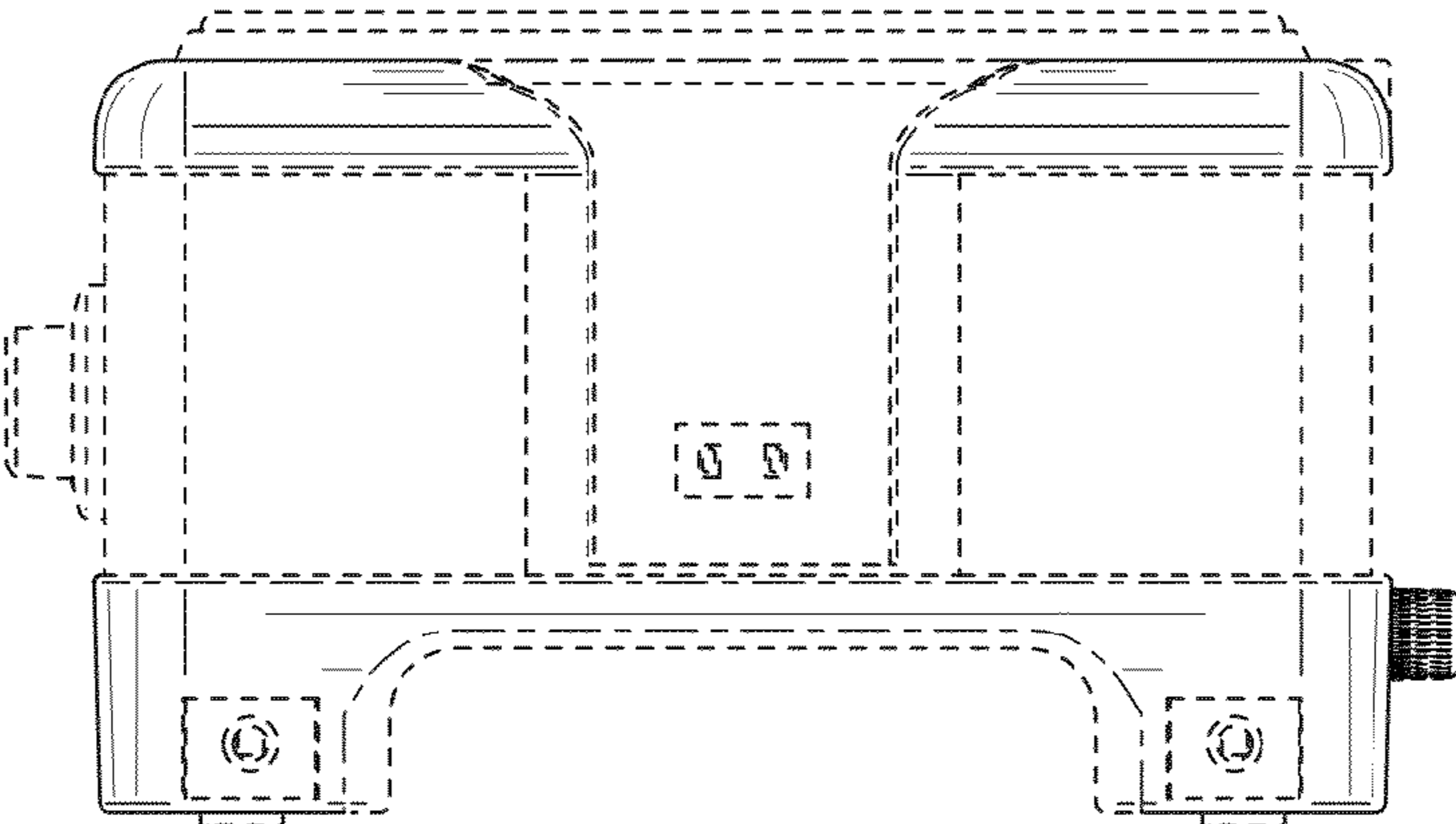


FIG. 5

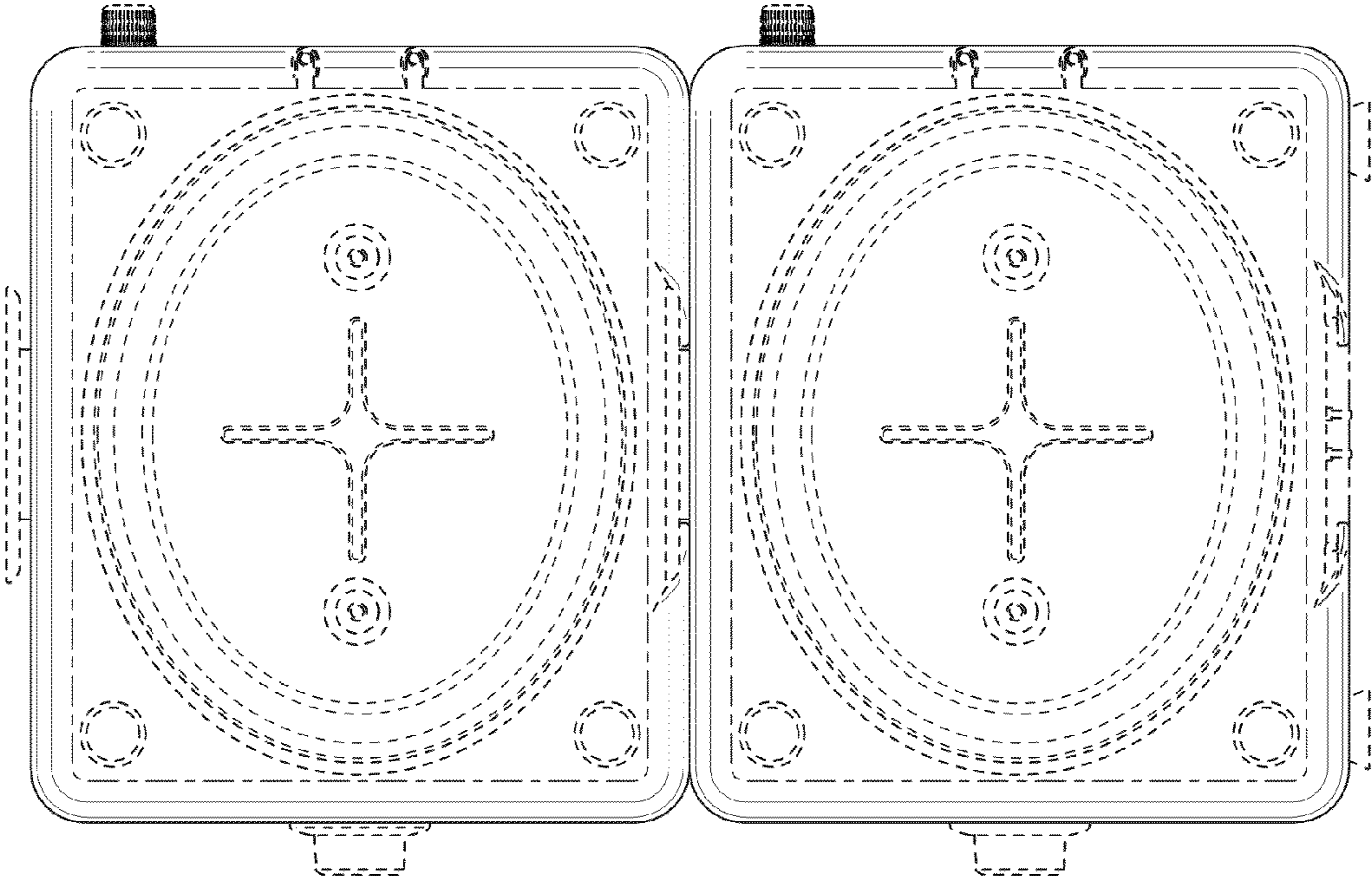


FIG. 6

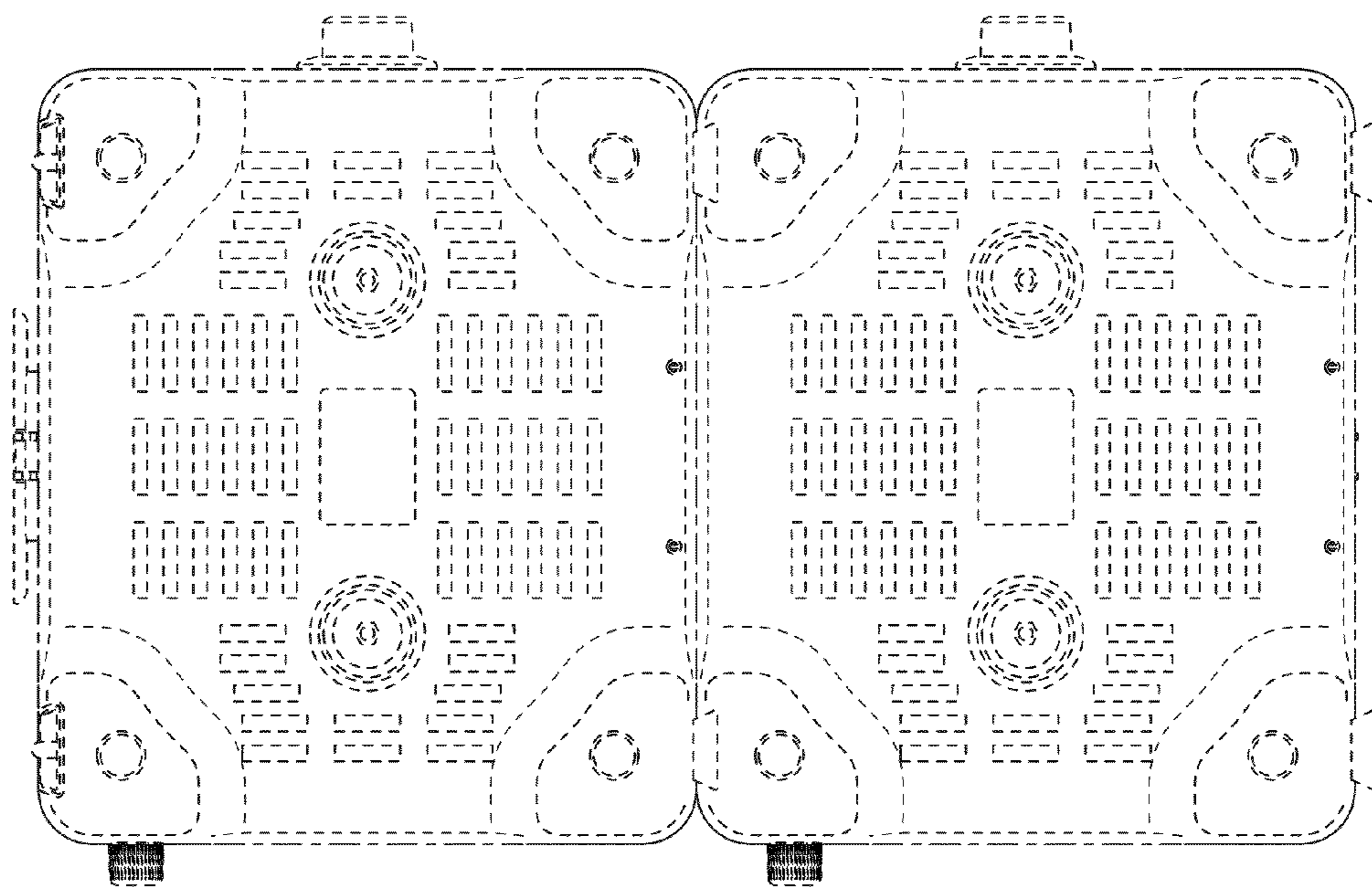


FIG. 7