



US00D706569S

(12) **United States Design Patent**
Fung

(10) **Patent No.:** **US D706,569 S**
(45) **Date of Patent:** **** Jun. 10, 2014**

- (54) **WAFFLE MAKER**
- (71) Applicant: **Kam Fai Fung**, Hong Kong (CN)
- (72) Inventor: **Kam Fai Fung**, Hong Kong (CN)
- (73) Assignee: **Conair Corporation**, Stamford, CT (US)
- (**) Term: **14 Years**
- (21) Appl. No.: **29/462,488**
- (22) Filed: **Aug. 5, 2013**
- (51) **LOC (10) Cl.** **07-02**
- (52) **U.S. Cl.**
USPC **D7/352; D7/362; D7/363**
- (58) **Field of Classification Search**
USPC D7/306, 323, 328-331, 337, 339, D7/346-347, 350.1-350.4, 352-367, 391, D7/393, 395, 402, 409, 538, 542, 674; 99/324-327, 329 P, 331-332, 337-349, 99/358, 369-376, 380-391, 400-418, 422, 99/425, 444-446, 483; 126/37 R, 261, 126/378.1; 219/385-388, 400, 405, 219/429-442, 450.1, 452.13, 620-624, 725, 219/730-735; 220/23.8, 315, 573.1-573.5, 220/912; 426/233, 438, 441, 523
See application file for complete search history.

- (56) **References Cited**
U.S. PATENT DOCUMENTS
D86,863 S 4/1932 Rohne
D119,282 S 3/1940 Reinecke et al.
2,358,452 A 9/1944 Garstang
D253,218 S * 10/1979 Johnson D7/356
D299,609 S 1/1989 Madl
D309,844 S 8/1990 Storsberg
D334,108 S 3/1993 Fisher
D347,548 S 6/1994 Boehm et al.

- D364,992 S * 12/1995 Wooderson et al. D7/352
- D411,937 S 7/1999 Siegler et al.
- D467,766 S 12/2002 Wanat et al.
- 6,555,795 B2 * 4/2003 Glucksman et al. 219/450.1
- D509,989 S 9/2005 Steinberg et al.
- D519,776 S 5/2006 Chen
- D543,410 S * 5/2007 Cohen et al. D7/352
- 7,285,751 B2 * 10/2007 Li 219/386
- D575,576 S * 8/2008 Chao D7/352
- D580,699 S * 11/2008 Averty D7/352
- D586,174 S * 2/2009 Averty D7/352
- D589,294 S * 3/2009 Averty D7/356
- D594,693 S * 6/2009 Hsu D7/354
- D602,732 S * 10/2009 Busse et al. D7/352
- 7,752,958 B2 7/2010 Cohen et al.
- D630,883 S 1/2011 Pang et al.
- D643,678 S 8/2011 Lavy et al.
- D657,990 S 4/2012 Kim et al.
- D677,513 S * 3/2013 Blacken D7/352
- D697,364 S * 1/2014 Melocchi D7/362

* cited by examiner

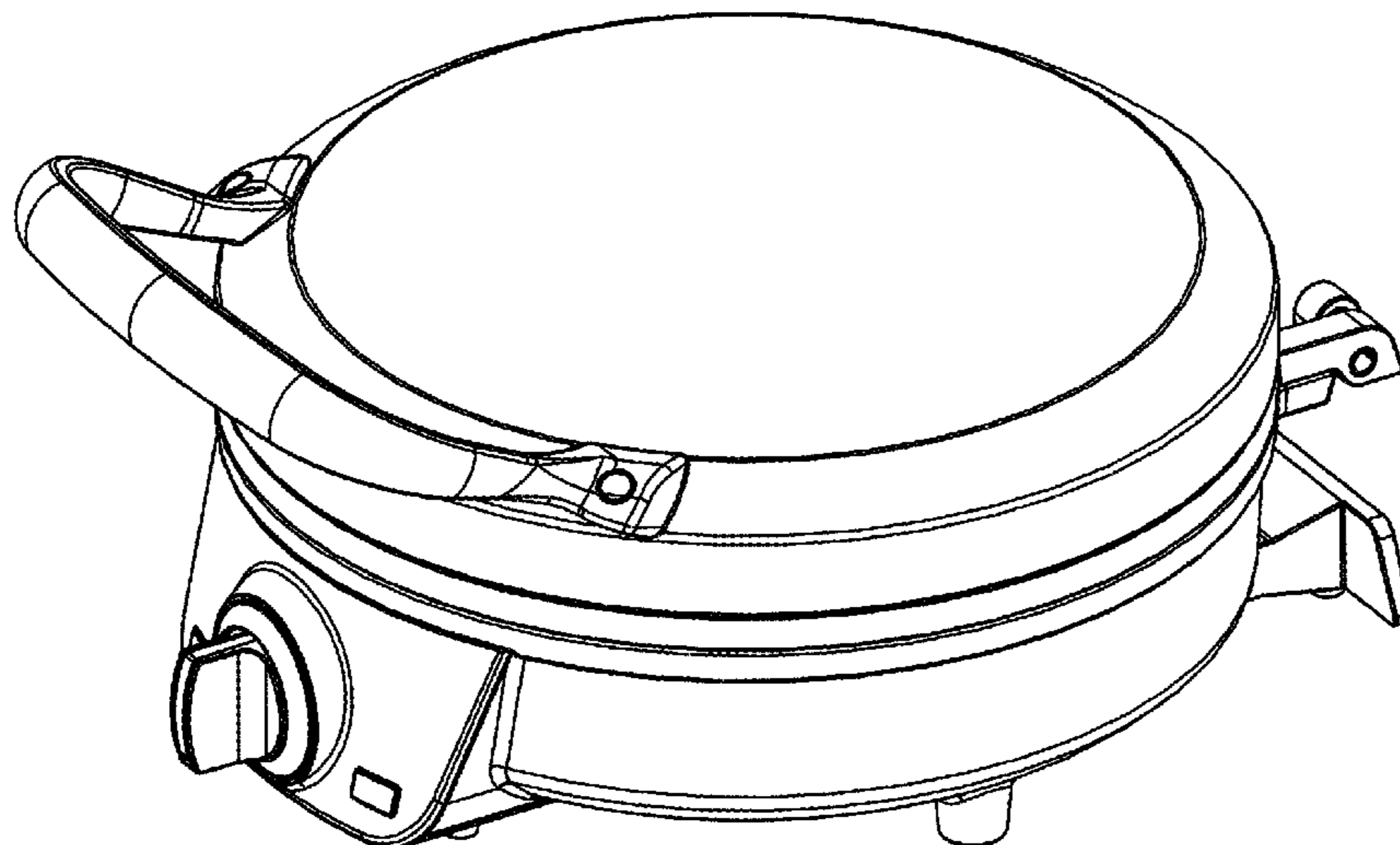
Primary Examiner — Ricky Pham
(74) *Attorney, Agent, or Firm* — McCormick, Paulding & Huber LLP

(57) **CLAIM**
The ornamental design for a waffle maker, as shown and described.

DESCRIPTION

FIG. 1 is a perspective view of a waffle maker showing a new design;
FIG. 2 is front elevational view thereof;
FIG. 3 is a top plan view thereof;
FIG. 4 is a bottom plan view thereof;
FIG. 5 is left side elevational view thereof
FIG. 6 is a right side elevational view; and,
FIG. 7 is a rear elevational view thereof.
The broken lines are for illustrative purposes only and form no part of the claimed design.

1 Claim, 4 Drawing Sheets



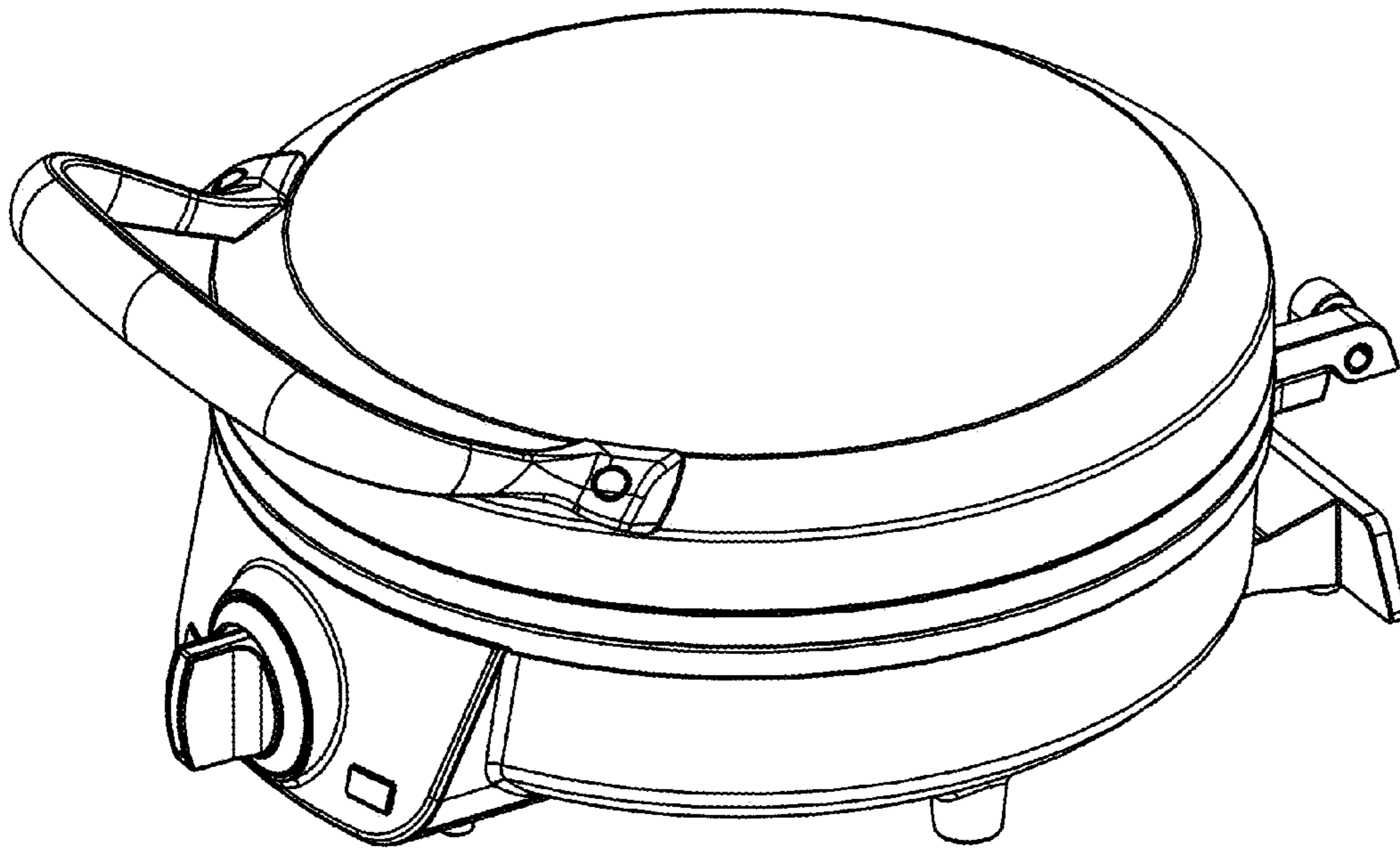


FIG. 1

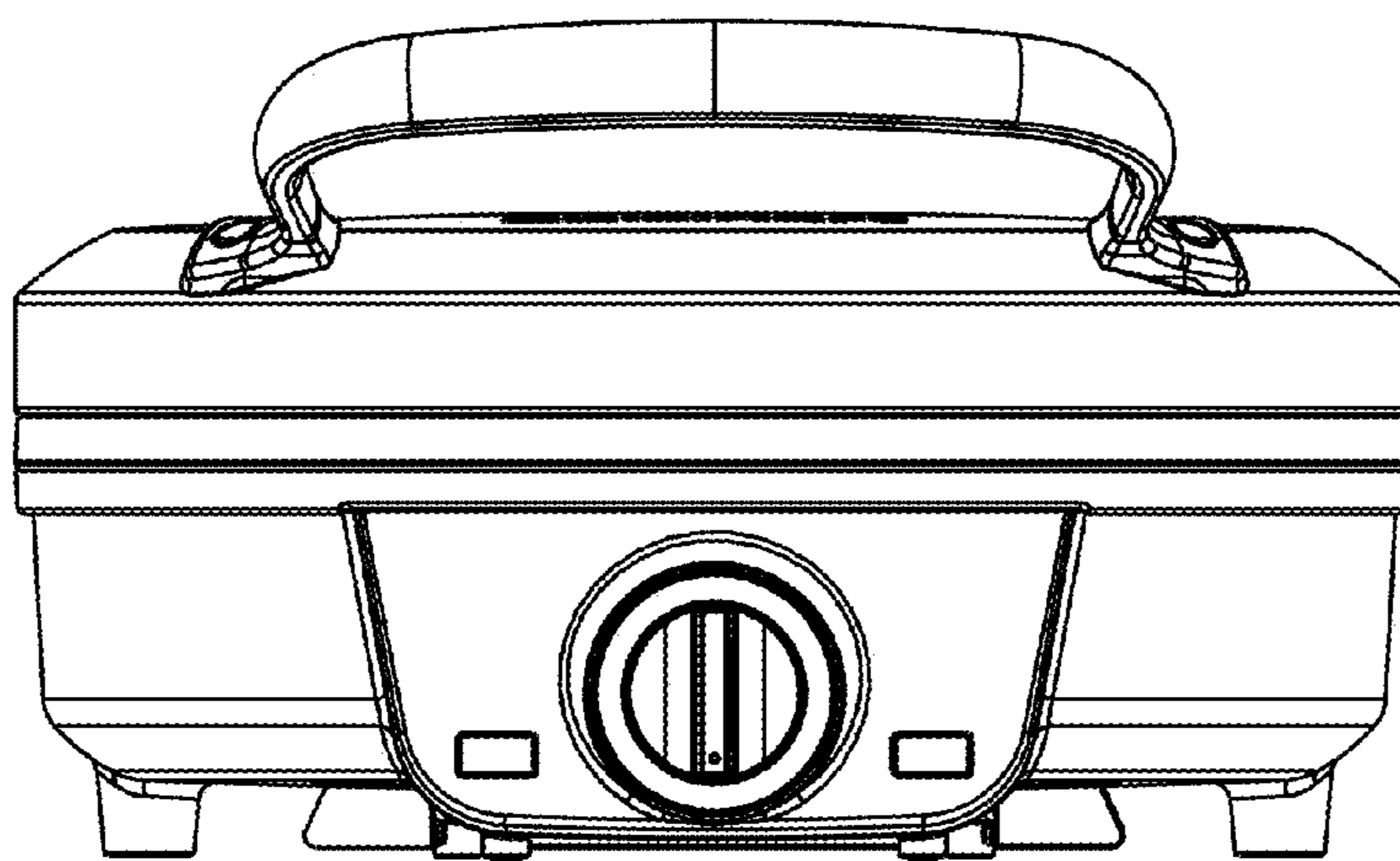


FIG. 2

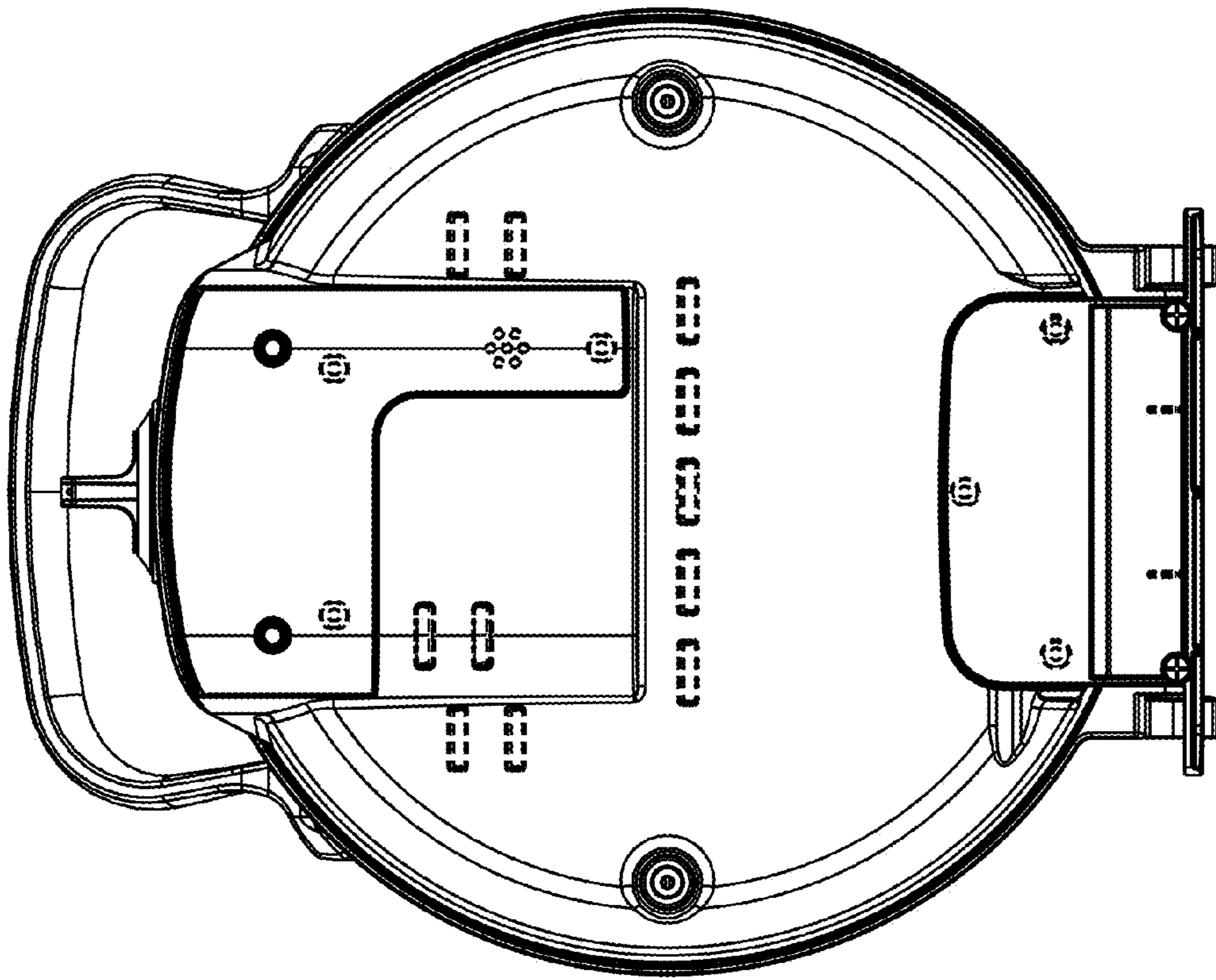


FIG. 4

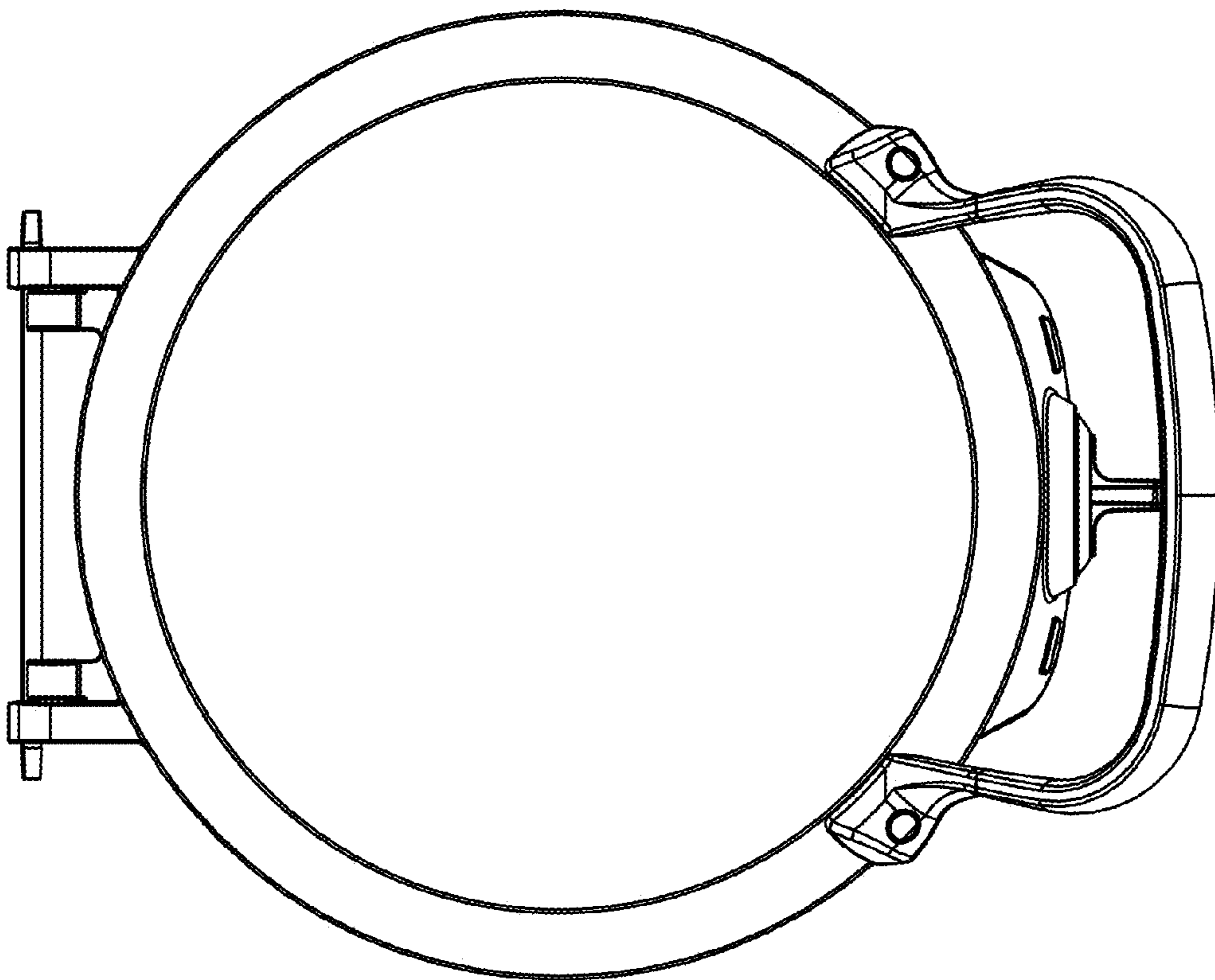


FIG. 3

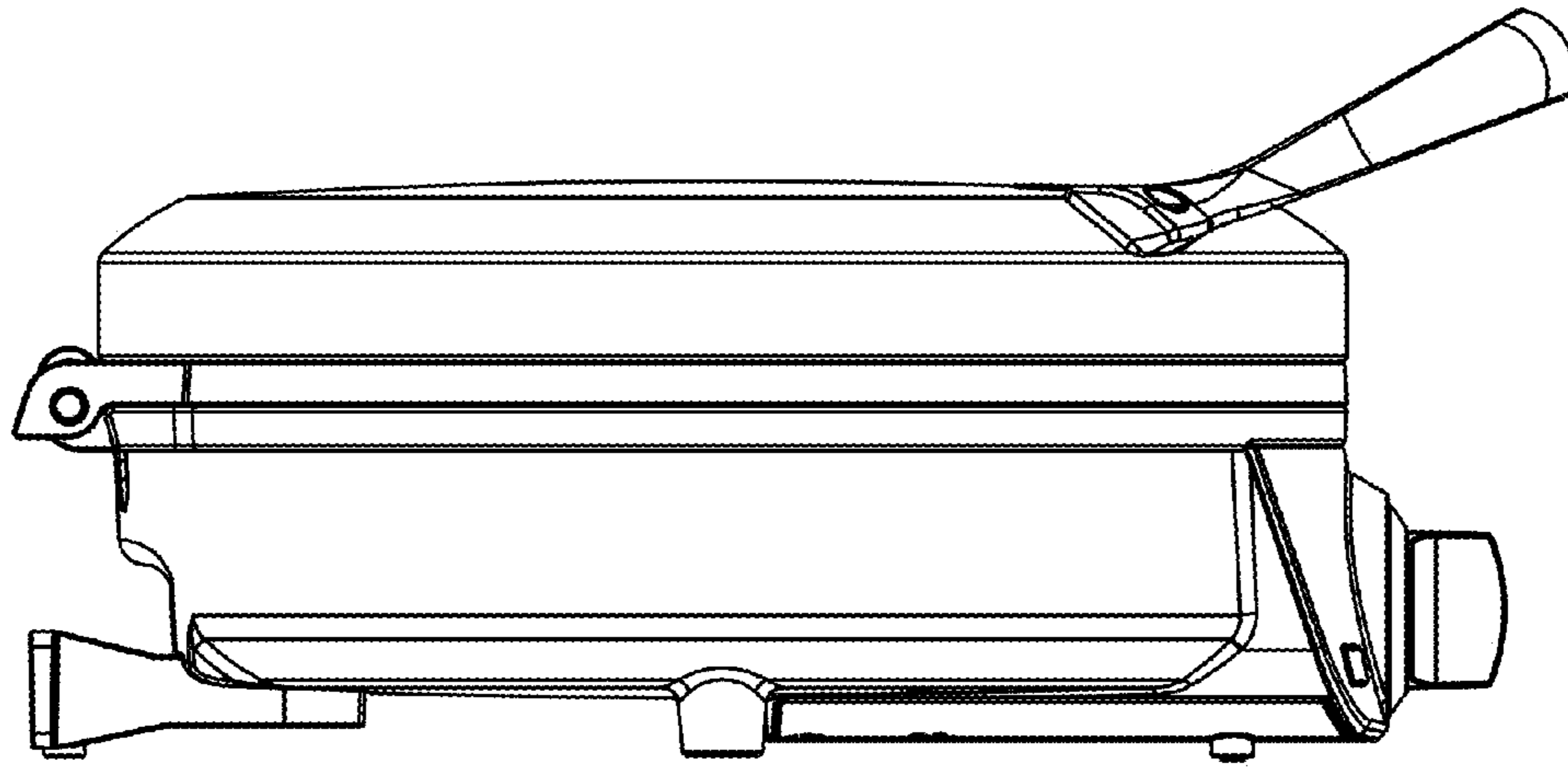


FIG. 5

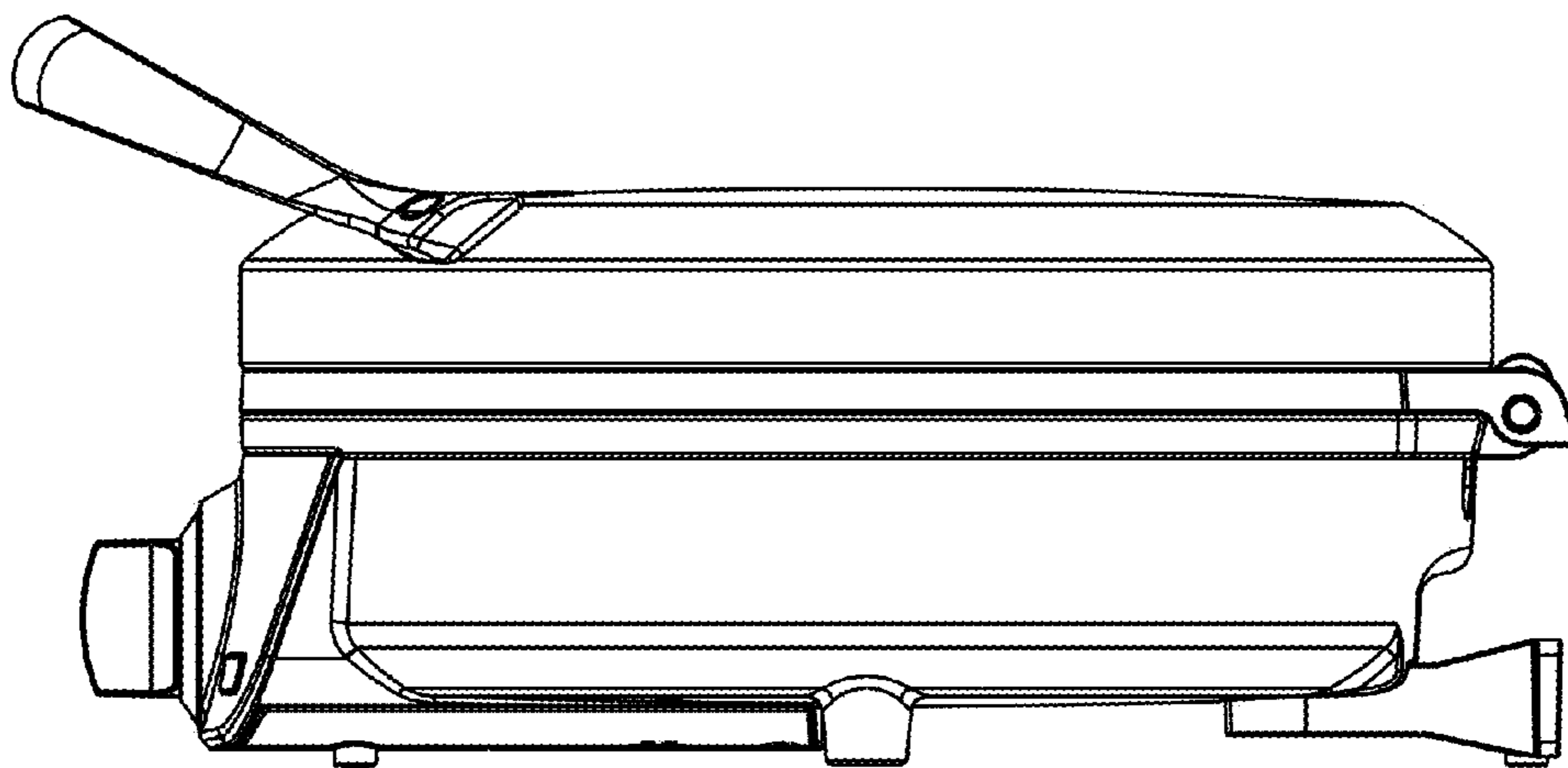


FIG. 6

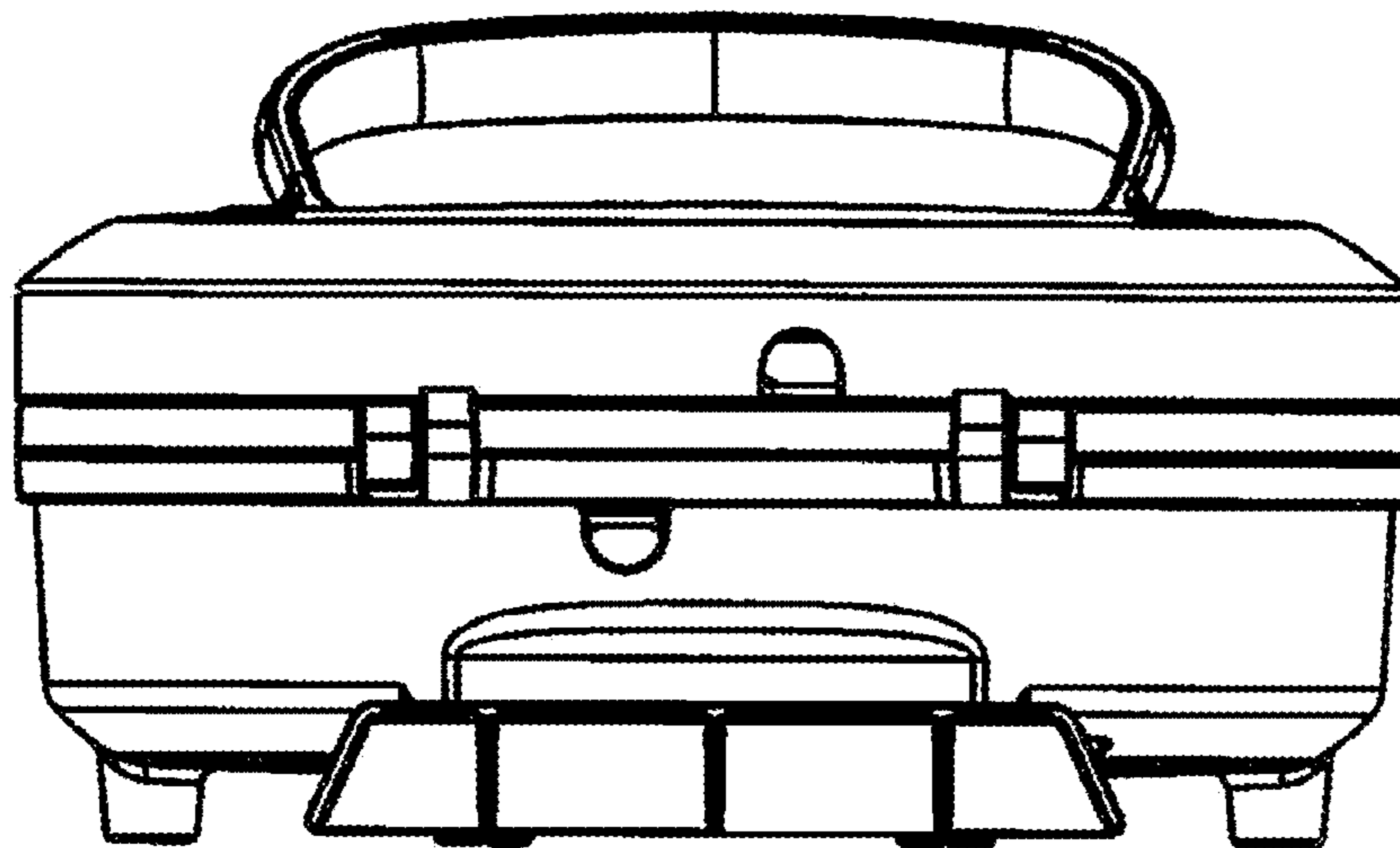


FIG. 7