



US00D706568S

(12) **United States Design Patent**
Sirotin et al.

(10) **Patent No.:** **US D706,568 S**
(45) **Date of Patent:** **** Jun. 10, 2014**

(54) **BOTTLE WARMING SYSTEM**

(75) Inventors: **Justin W. Sirotin**, Providence, RI (US);
Diau P. Hall, Cranston, RI (US);
Jeanette M. Numbers, Providence, RI
(US); **Ryan M. Coyle**, Providence, RI
(US)

(73) Assignee: **Summer Infant (USA), Inc.**,
Woonsocket, RI (US)

(**) Term: **14 Years**

(21) Appl. No.: **29/422,166**

(22) Filed: **May 17, 2012**

(51) **LOC (10) Cl.** **07-02**

(52) **U.S. Cl.**
USPC **D7/326**

(58) **Field of Classification Search**
CPC A23L 3/10; A47J 27/04; A47J 27/004;
A47J 36/24; A47J 36/2411; A47J 36/2416;
A47J 36/2433; A47J 36/2438; A47J 41/00;
A47J 39/00; A47J 39/006; A01J 9/08; H05B
3/0004
USPC D7/323, 326-327, 368, 601, 602, 605;
99/359, 413, 417; 126/261; 165/73-75,
165/80.5; 219/385, 386, 428, 430, 521;
220/592.23; 392/333

See application file for complete search history.

(56) **References Cited**

U.S. PATENT DOCUMENTS

2,428,996	A *	10/1947	Schworm, Jr.	219/428
3,385,950	A *	5/1968	Lipor	392/333
3,480,001	A *	11/1969	Briggin et al.	126/261
D387,239	S *	12/1997	Johnstone	D7/326
D464,523	S *	10/2002	Pomme	D7/326
6,809,302	B1 *	10/2004	Jones et al.	219/521
7,617,766	B2 *	11/2009	Tracy et al.	99/413
D679,935	S *	4/2013	Tse et al.	D7/326
2012/0061376	A1 *	3/2012	McBean et al.	219/430

* cited by examiner

Primary Examiner — Ricky Pham

(74) *Attorney, Agent, or Firm* — Chace Ruttenberg & Freedman; LuAnn Cserr

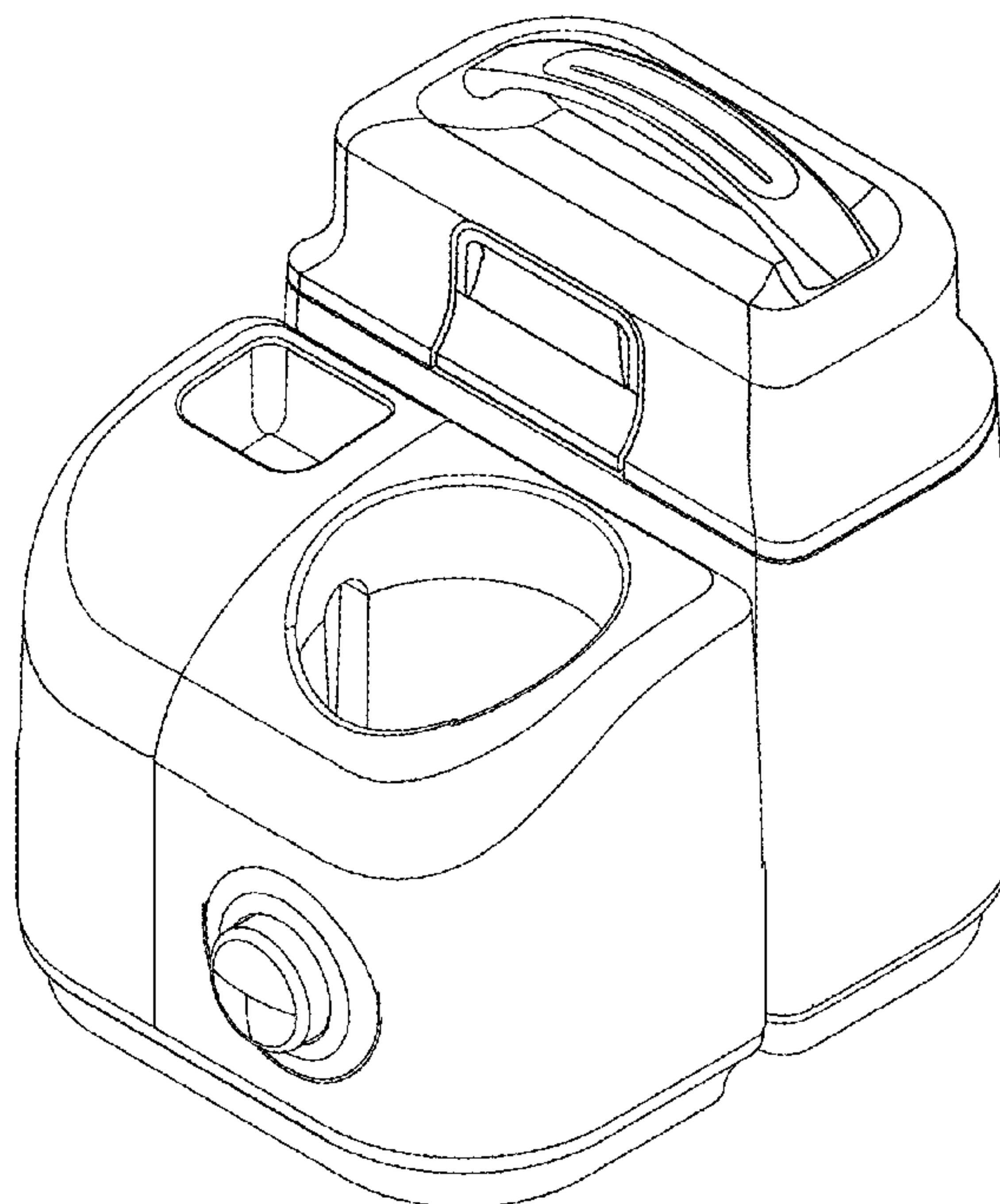
(57) **CLAIM**

The ornamental design for a bottle warming system, as shown and described.

DESCRIPTION

FIG. 1 shows a front perspective view of a bottle warming system showing the new design;
FIG. 2 shows a top view of the bottle warming system according to FIG. 1;
FIG. 3 shows a bottom view of the bottle warming system according to FIG. 1;
FIG. 4 shows a side view of the bottle warming system according to FIG. 1, wherein an opposite side view would be a mirror image thereof;
FIG. 5 shows a front view of the bottle warming system according to FIG. 1; and,
FIG. 6 shows a back view of the bottle warming system according to FIG. 1.

1 Claim, 6 Drawing Sheets



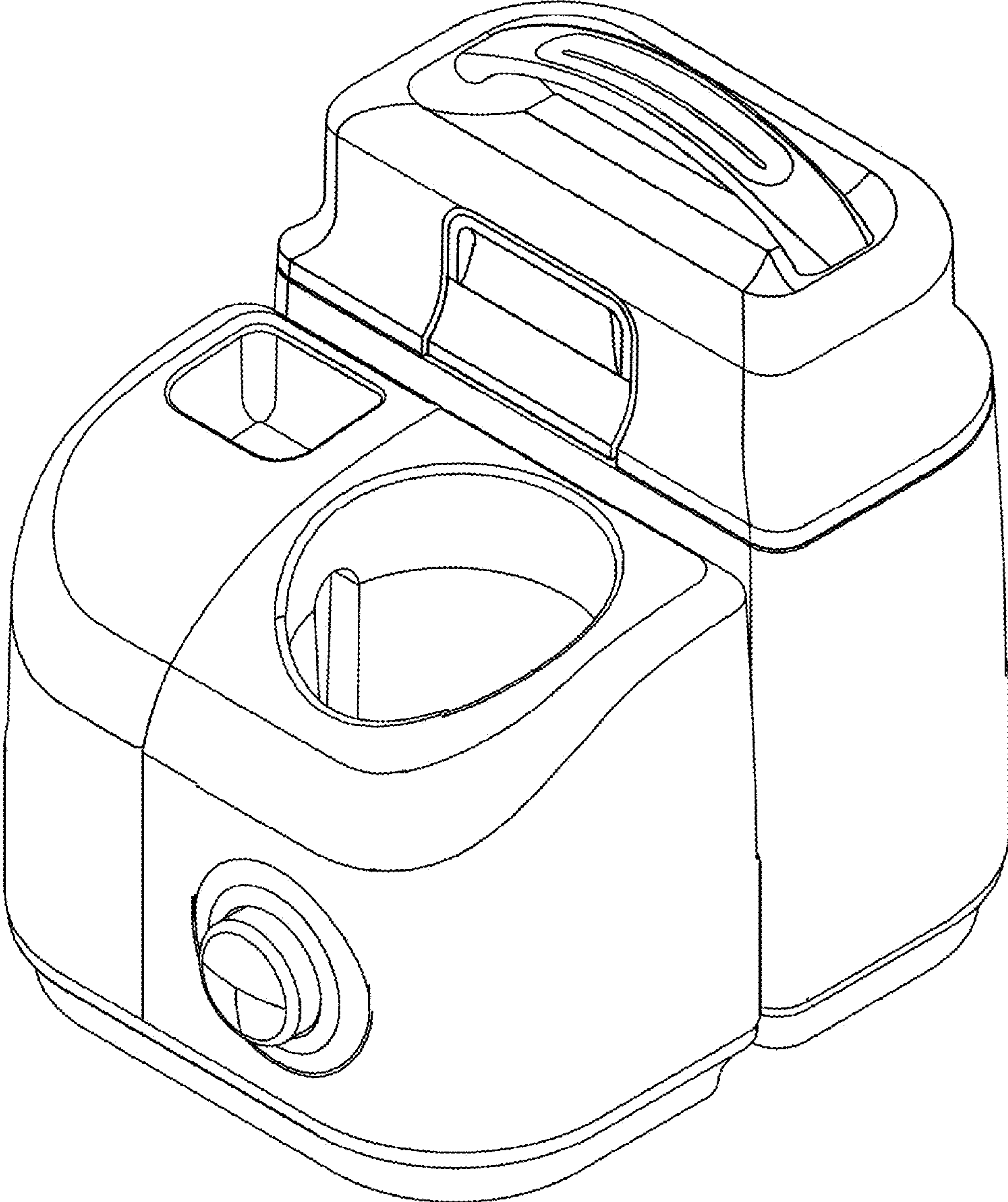


FIG. 1

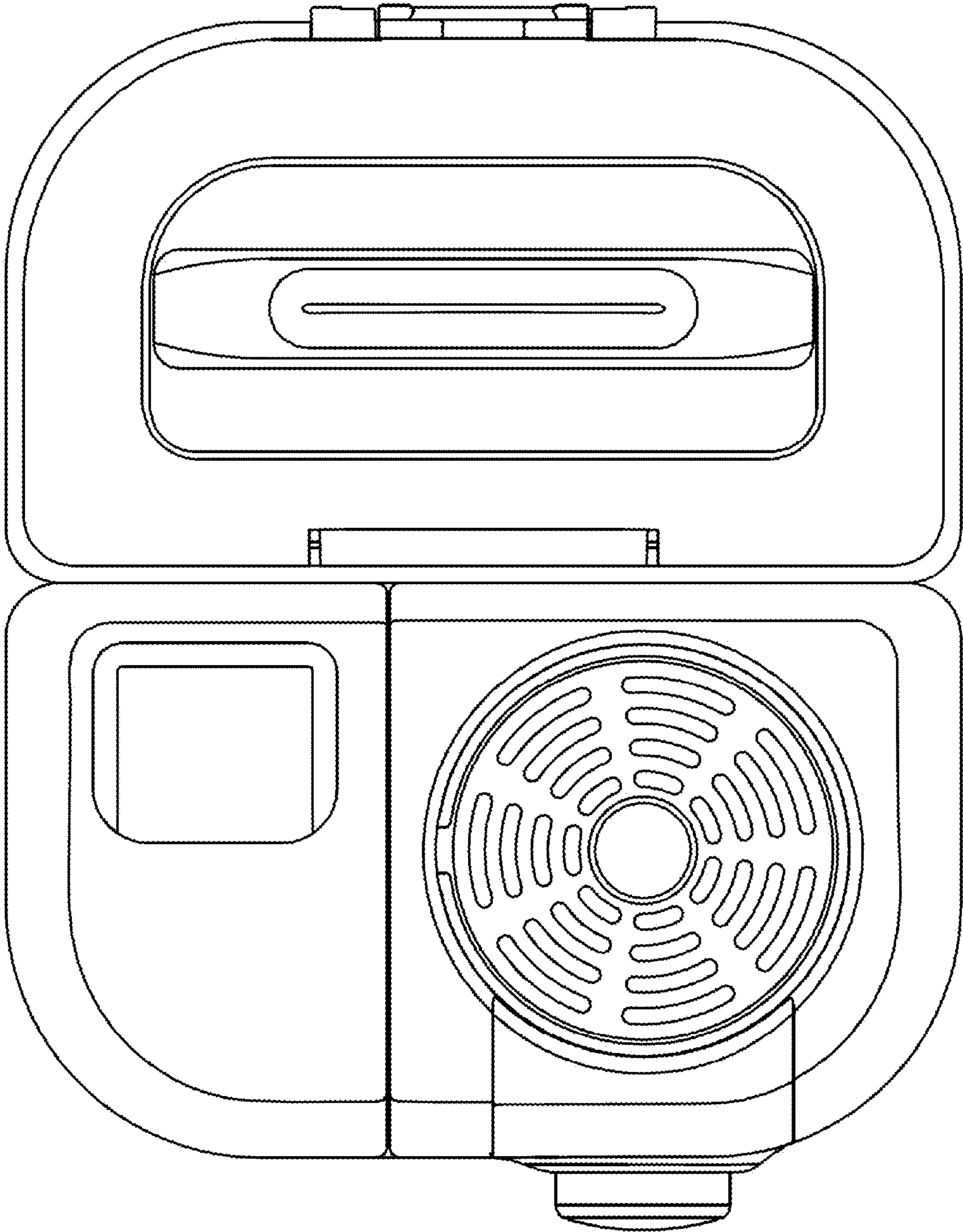


FIG. 2

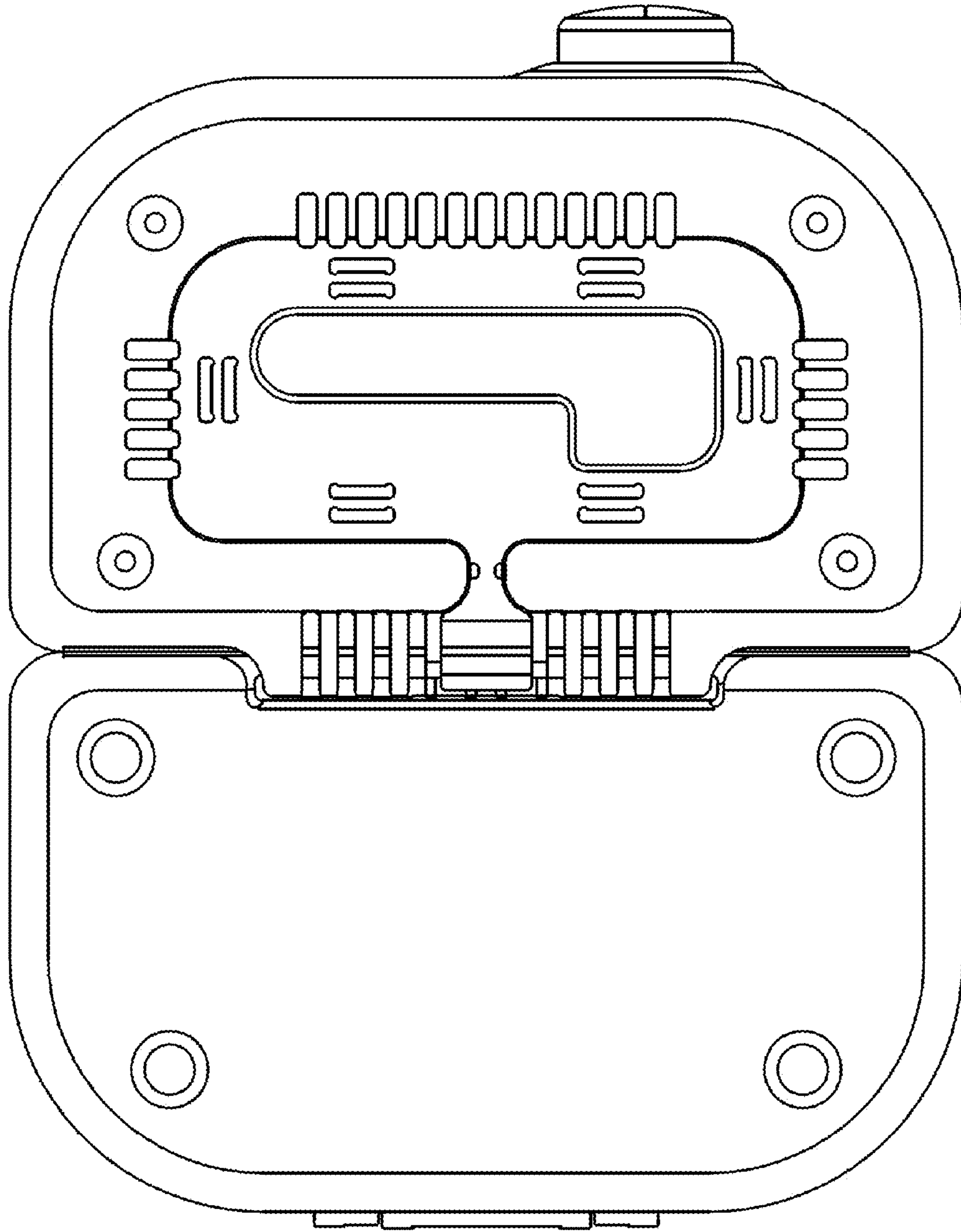


FIG. 3

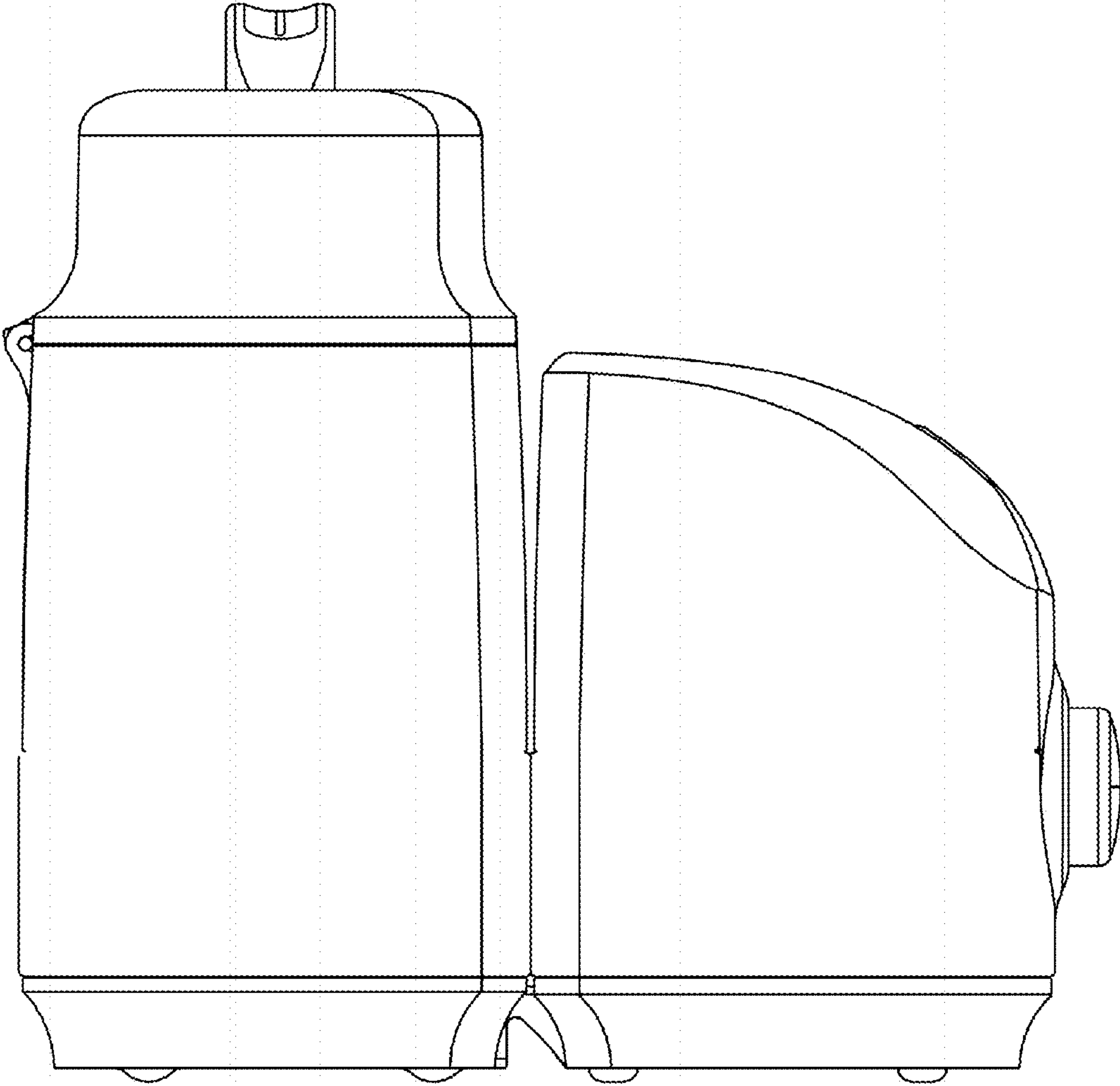


FIG. 4

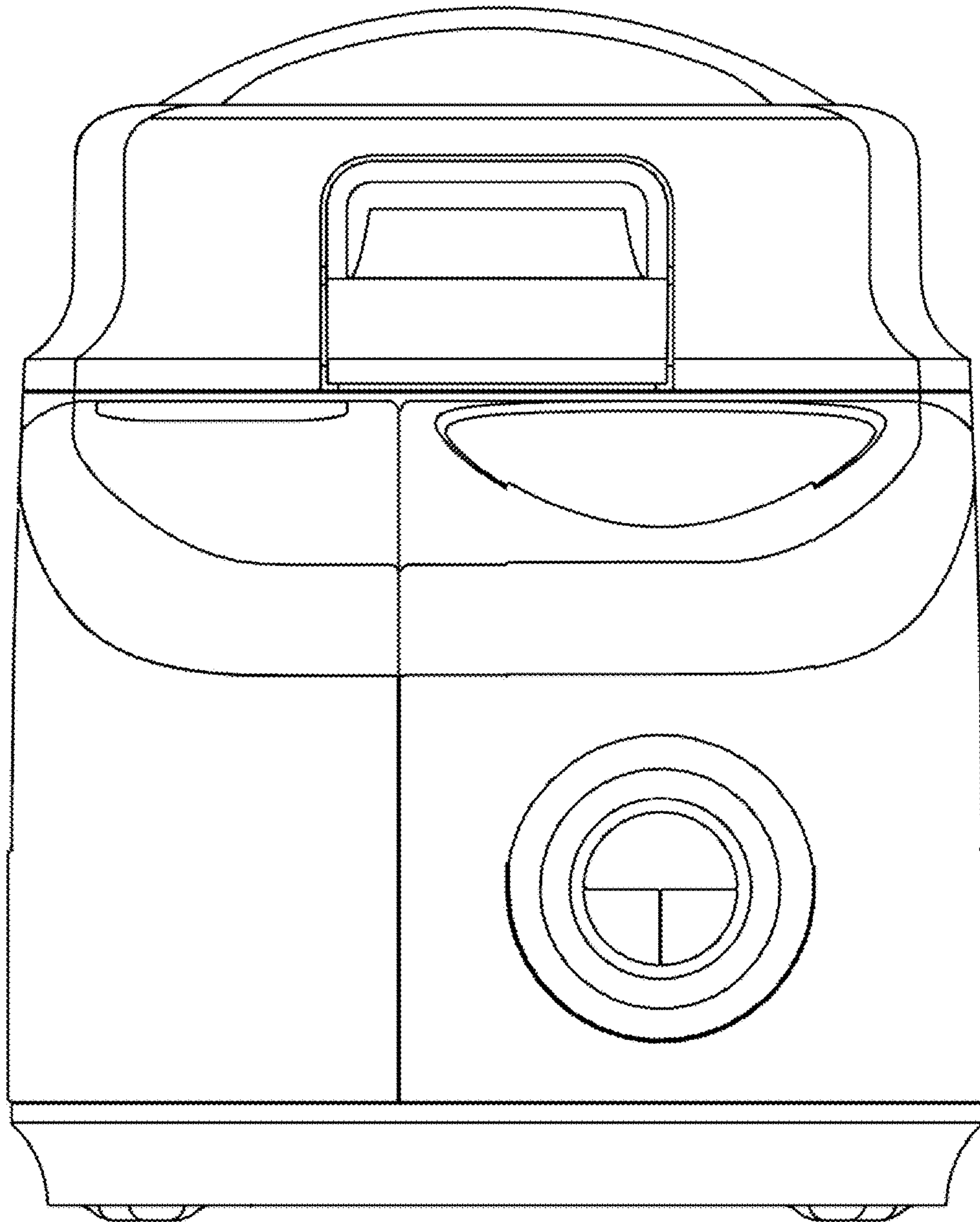


FIG. 5

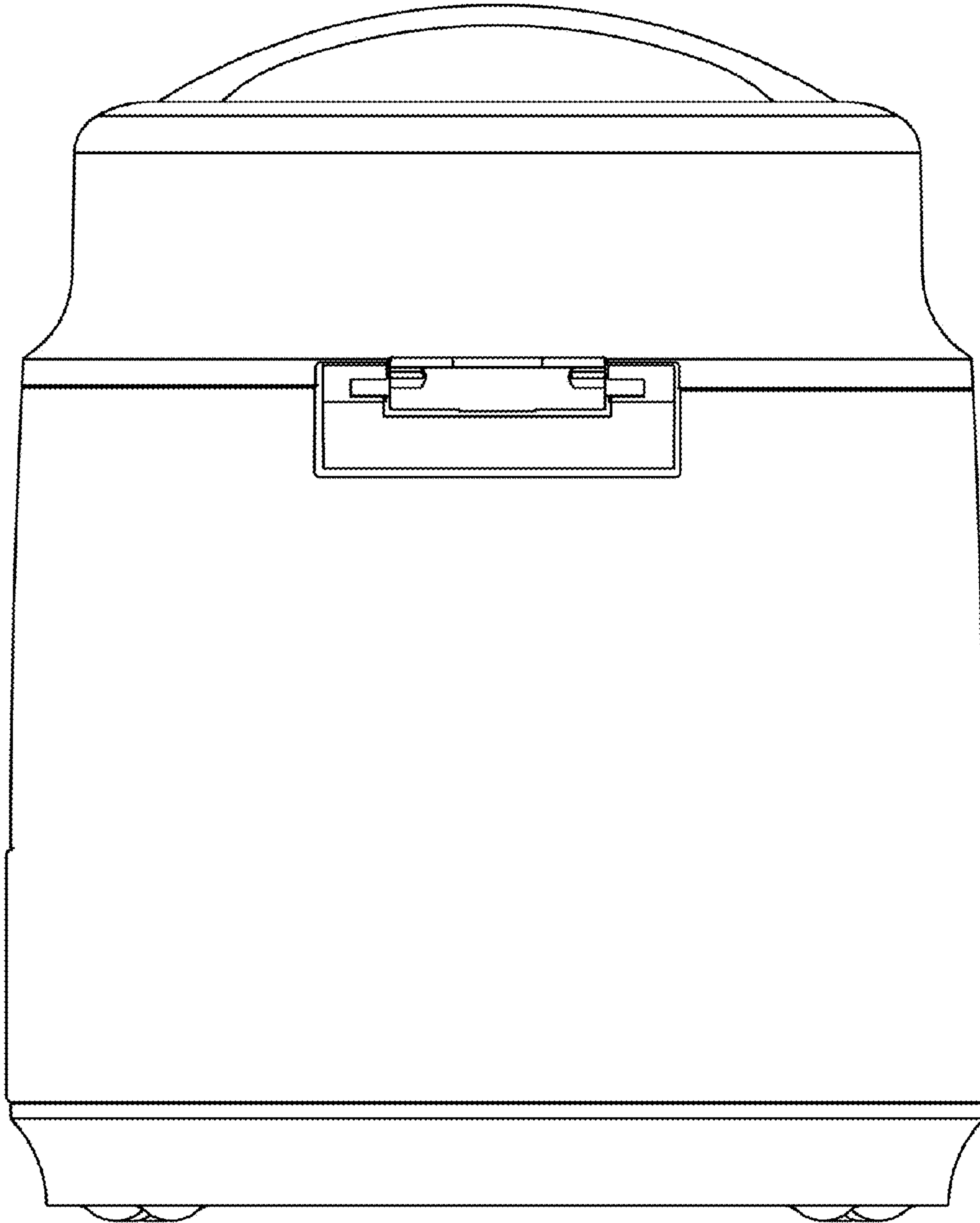


FIG. 6