



US00D706558S

(12) **United States Design Patent**
Yates

(10) **Patent No.:** **US D706,558 S**
(45) **Date of Patent:** **** Jun. 10, 2014**

- (54) **SUPPORT RACK**
- (71) Applicant: **Roy E. Yates**, Freeport, TX (US)
- (72) Inventor: **Roy E. Yates**, Freeport, TX (US)
- (73) Assignee: **Roy E. Yates**, Freeport, TX (US)
- (**) Term: **14 Years**
- (21) Appl. No.: **29/481,387**
- (22) Filed: **Feb. 5, 2014**
- (51) **LOC (10) Cl.** **06-06**
- (52) **U.S. Cl.**
USPC **D6/675.3**
- (58) **Field of Classification Search**
USPC D6/396-397, 449, 466-467, 552, 553,
D6/567, 569, 572, 672, 675, 675.1, 675.3;
211/13.1, 74-75, 77, 85.7, 87.01, 60.1,
211/64; 206/315.1, 315.11
See application file for complete search history.

| | | | | | | |
|-----------|----|---|---------|------------------|-------|---------|
| D354,874 | S | * | 1/1995 | Burch | | D6/567 |
| D357,607 | S | * | 4/1995 | Nilsson | | D6/495 |
| 5,588,542 | A | | 12/1996 | Winkler | | |
| 5,657,883 | A | | 8/1997 | Badia | | |
| 5,676,261 | A | | 10/1997 | Baughman | | |
| D392,142 | S | * | 3/1998 | Weisburn et al. | | D6/567 |
| 5,873,192 | A | | 2/1999 | Chiu | | |
| 5,979,102 | A | | 11/1999 | Sagryn | | |
| 6,213,441 | B1 | | 4/2001 | Baynard | | |
| 6,250,480 | B1 | | 6/2001 | McGuinness | | |
| 6,276,539 | B1 | | 8/2001 | Richbourg | | |
| 6,360,902 | B1 | | 3/2002 | Searles | | |
| 6,499,248 | B2 | | 12/2002 | Thompson | | |
| 6,530,170 | B1 | | 3/2003 | Sweeney | | |
| 6,533,132 | B1 | | 3/2003 | Weisenburger | | |
| 6,932,224 | B1 | | 8/2005 | Sandberg | | |
| 7,237,685 | B2 | | 7/2007 | Keegan | | |
| D554,929 | S | * | 11/2007 | Jajdelski et al. | | D6/629 |
| D575,972 | S | * | 9/2008 | Shiao | | D6/567 |
| D578,962 | S | * | 10/2008 | Foreman et al. | | D13/119 |
| D585,371 | S | * | 1/2009 | Foreman et al. | | D13/119 |

(Continued)

Primary Examiner — Kelley Donnelly
(74) *Attorney, Agent, or Firm* — Reed Smith LLP; Robert R. Riddle

(56) **References Cited**
U.S. PATENT DOCUMENTS

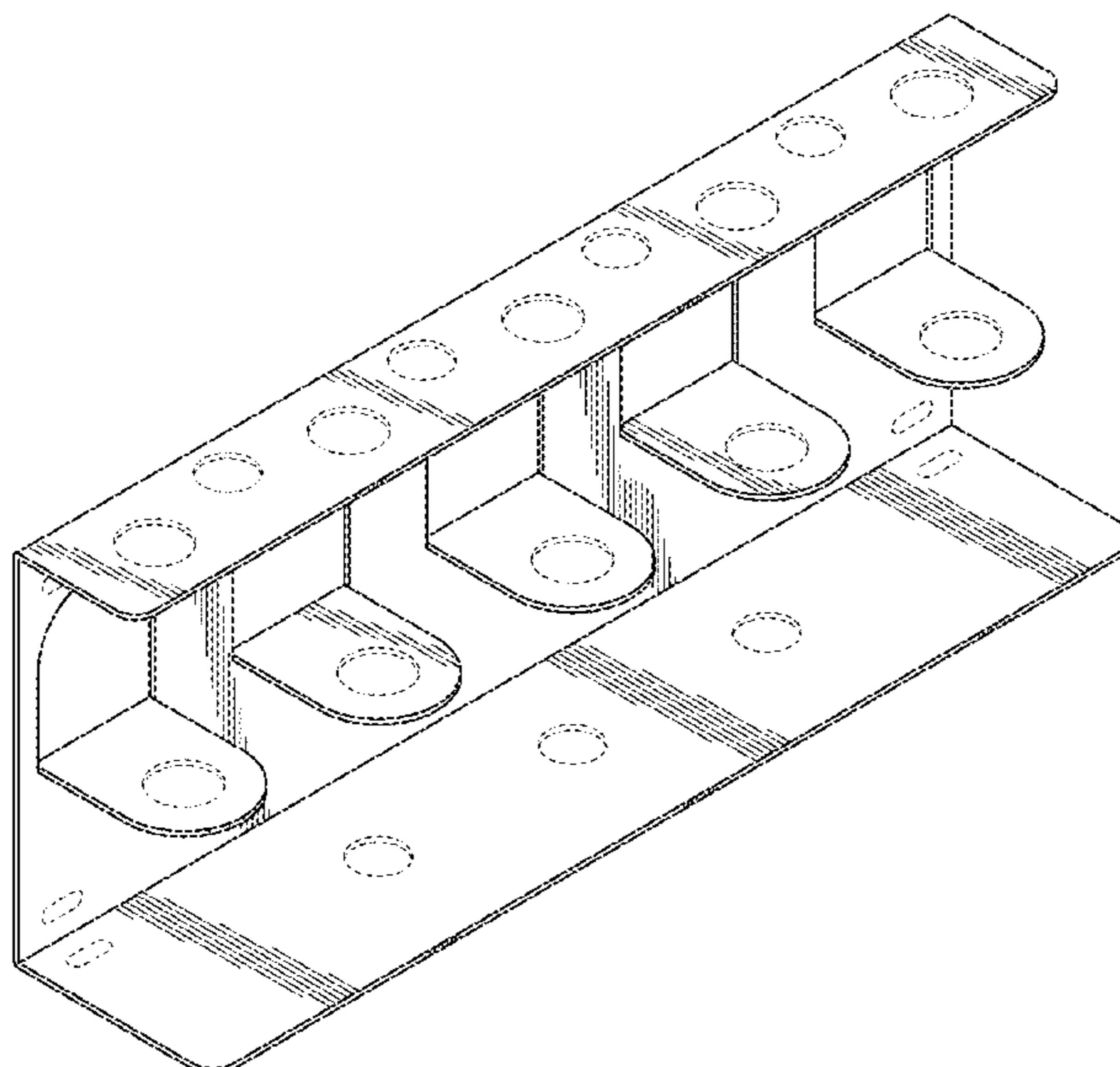
| | | | | | | |
|-----------|---|---|---------|----------------|-------|--------|
| 2,854,147 | A | | 9/1958 | Derr | | |
| 3,291,427 | A | | 12/1966 | Hutchings | | |
| 3,319,910 | A | | 5/1967 | Collin | | |
| 3,537,595 | A | | 11/1970 | Mathisen | | |
| 3,701,504 | A | | 10/1972 | Woods | | |
| 3,939,594 | A | | 2/1976 | Wagner | | |
| 4,003,612 | A | | 1/1977 | Munsell | | |
| 4,006,825 | A | | 2/1977 | Austin | | |
| 4,067,134 | A | | 1/1978 | Billings | | |
| 4,460,117 | A | | 7/1984 | Smalls | | |
| 4,485,578 | A | | 12/1984 | Novey | | |
| 4,688,685 | A | | 8/1987 | Brace | | |
| 4,779,914 | A | | 10/1988 | Friedline | | |
| 4,986,427 | A | | 1/1991 | Law | | |
| 5,115,598 | A | | 5/1992 | Shaw | | |
| 5,257,700 | A | | 11/1993 | Wallace | | |
| D353,294 | S | * | 12/1994 | Belokin et al. | | D6/567 |

(57) **CLAIM**
The ornamental design for a support rack, as shown and described.

DESCRIPTION

FIG. 1 is a perspective view of a support rack in accordance with my new design;
FIG. 2 is a front elevation view thereof;
FIG. 3 is a top plan view thereof;
FIG. 4 is a rear elevation thereof;
FIG. 5 is a bottom plan view thereof;
FIG. 6 is a right side elevation view thereof; and,
FIG. 7 is a left side elevation view thereof.
The broken lines in the figures illustrate environmental structure only and form no part of the claimed design.

1 Claim, 4 Drawing Sheets



(56)

References Cited

U.S. PATENT DOCUMENTS

7,559,428 B2 7/2009 Matzick
D598,227 S * 8/2009 Oakes D6/553
D609,517 S * 2/2010 Oakes D6/553
D612,216 S * 3/2010 McQuary et al. D7/637
7,707,765 B2 5/2010 Liao

D632,651 S * 2/2011 Foreman et al. D13/119
D661,126 S * 6/2012 Hester D6/407
D674,506 S * 1/2013 LaBrasca D24/227
D674,620 S * 1/2013 Petrick et al. D6/407
D689,777 S * 9/2013 Castaing D9/711
2005/0194331 A1 9/2005 Chang
2008/0115401 A1 5/2008 Roemer
2009/0308822 A1 12/2009 Byers

* cited by examiner

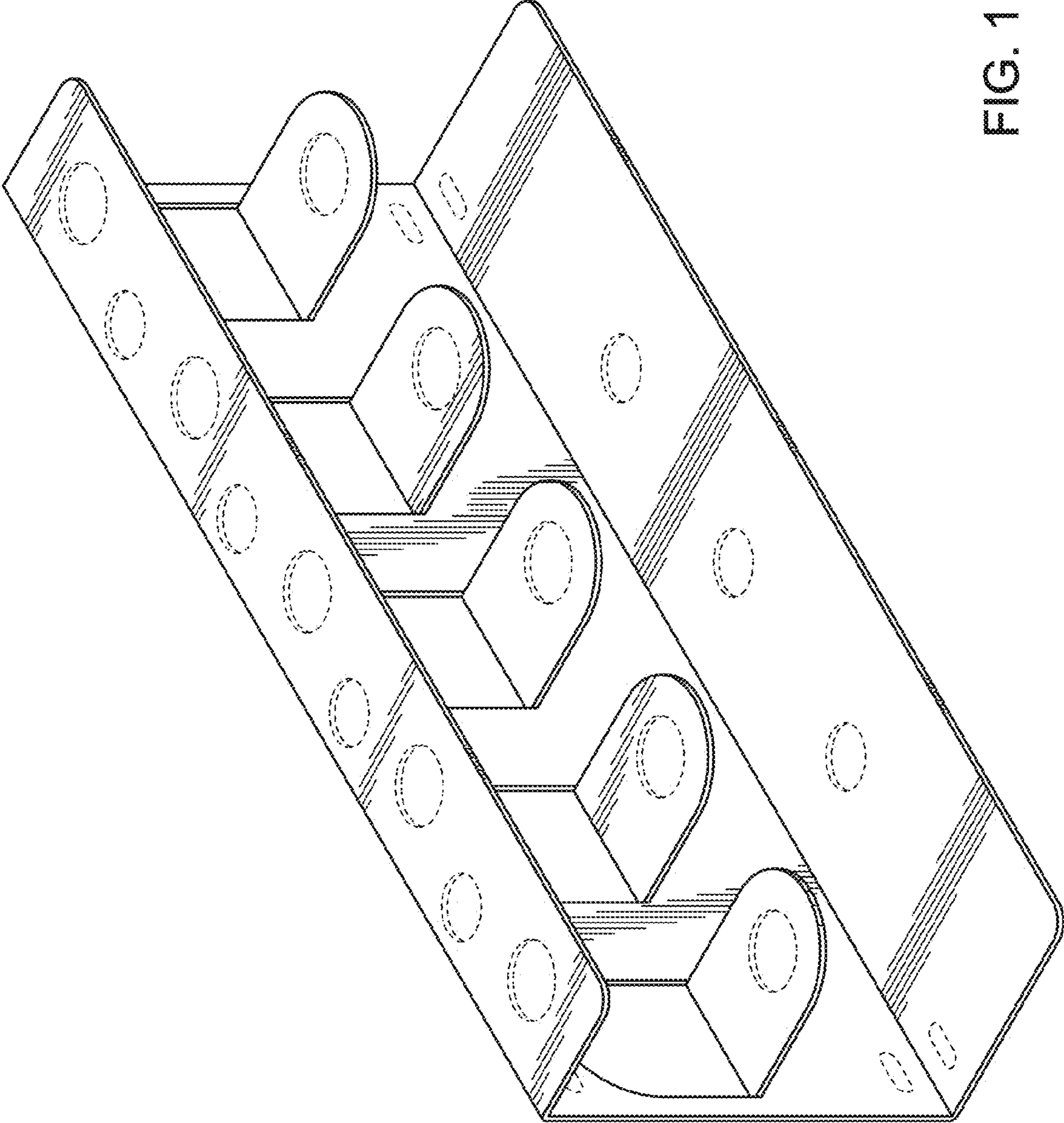


FIG. 1

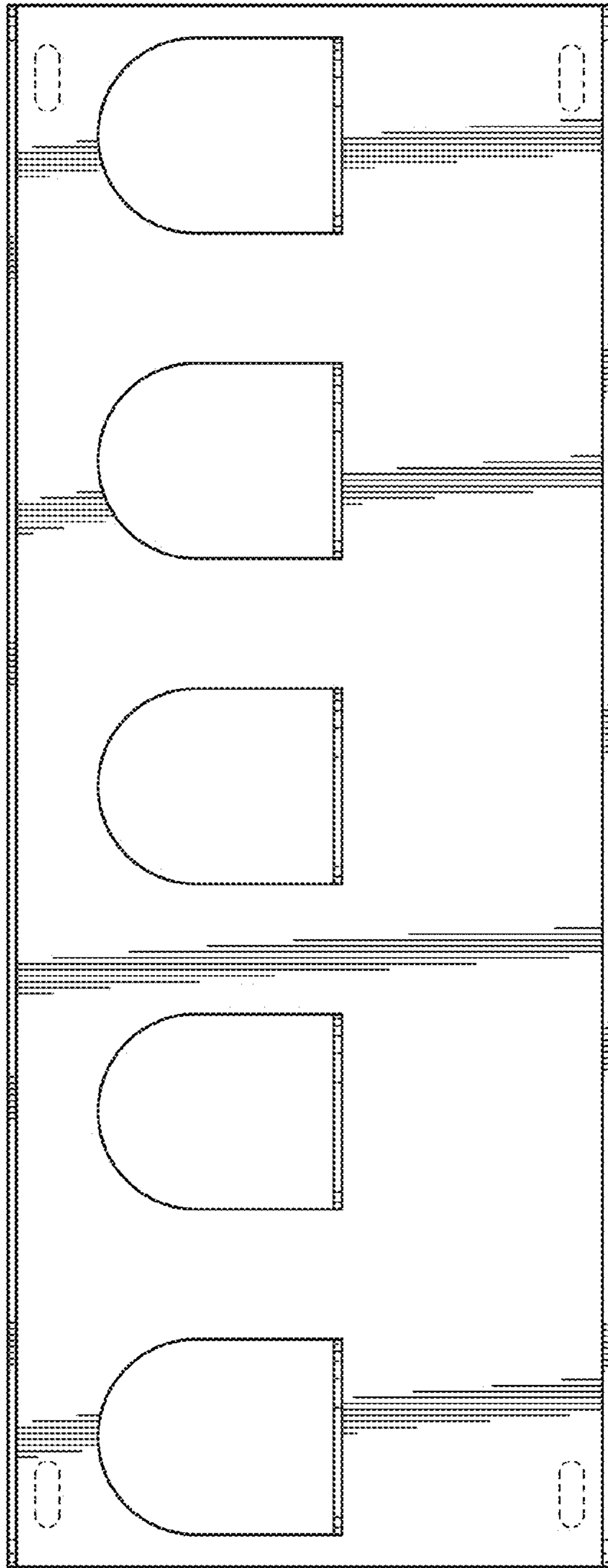


FIG. 2

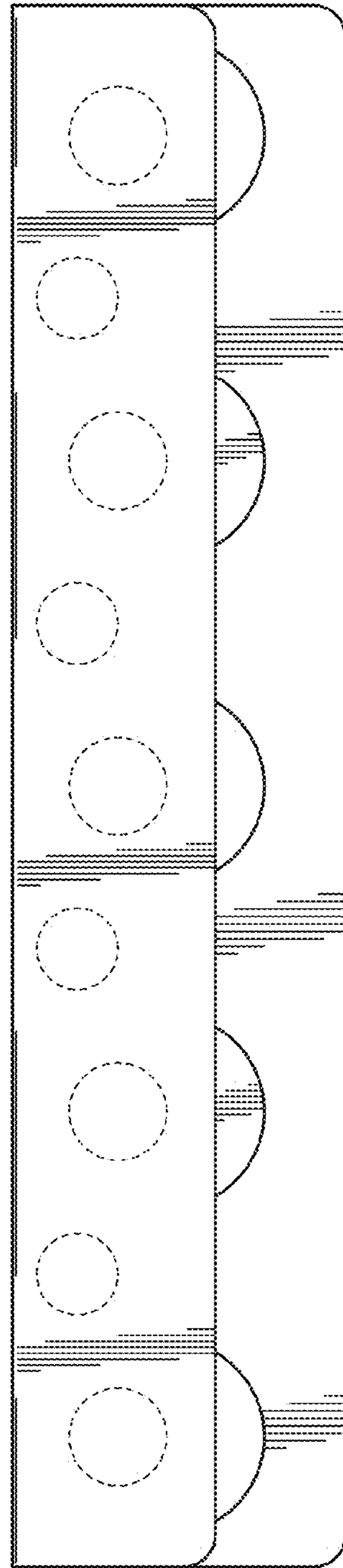


FIG. 3

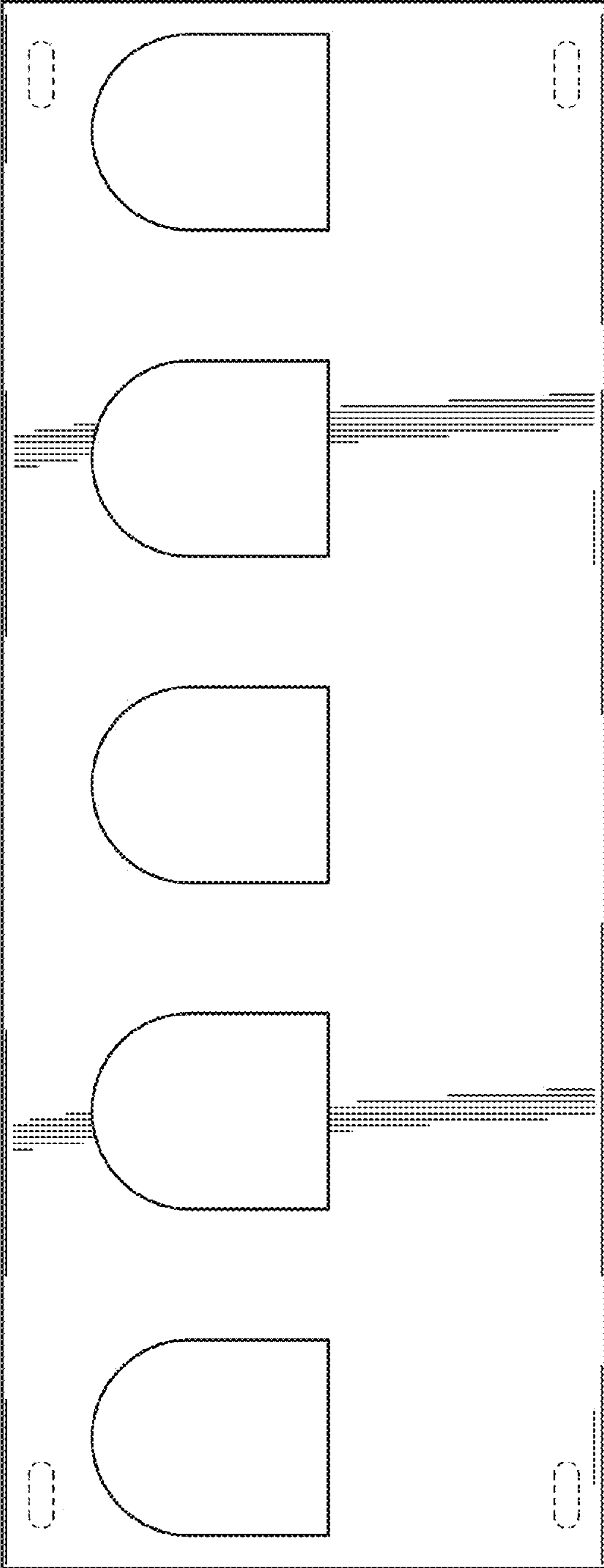


FIG. 4

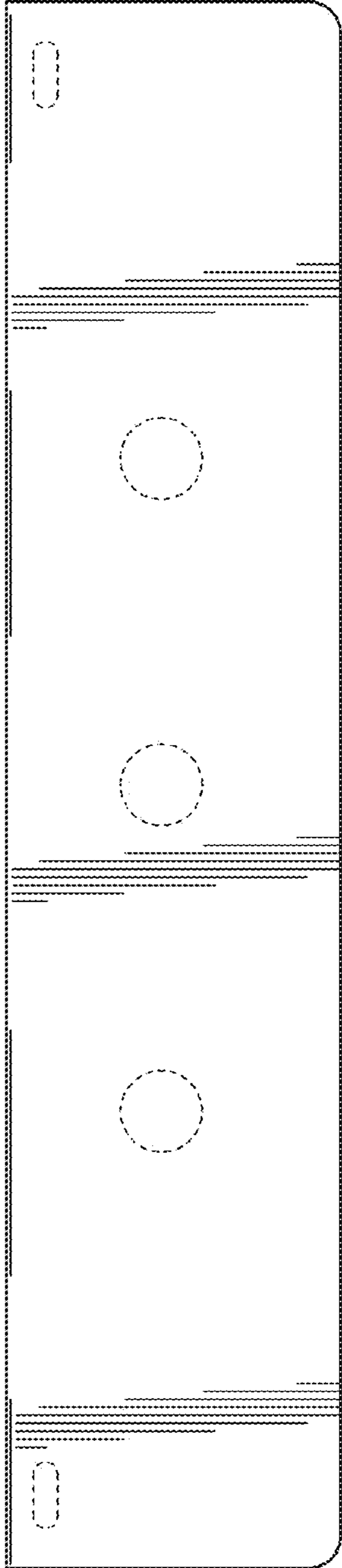


FIG. 5

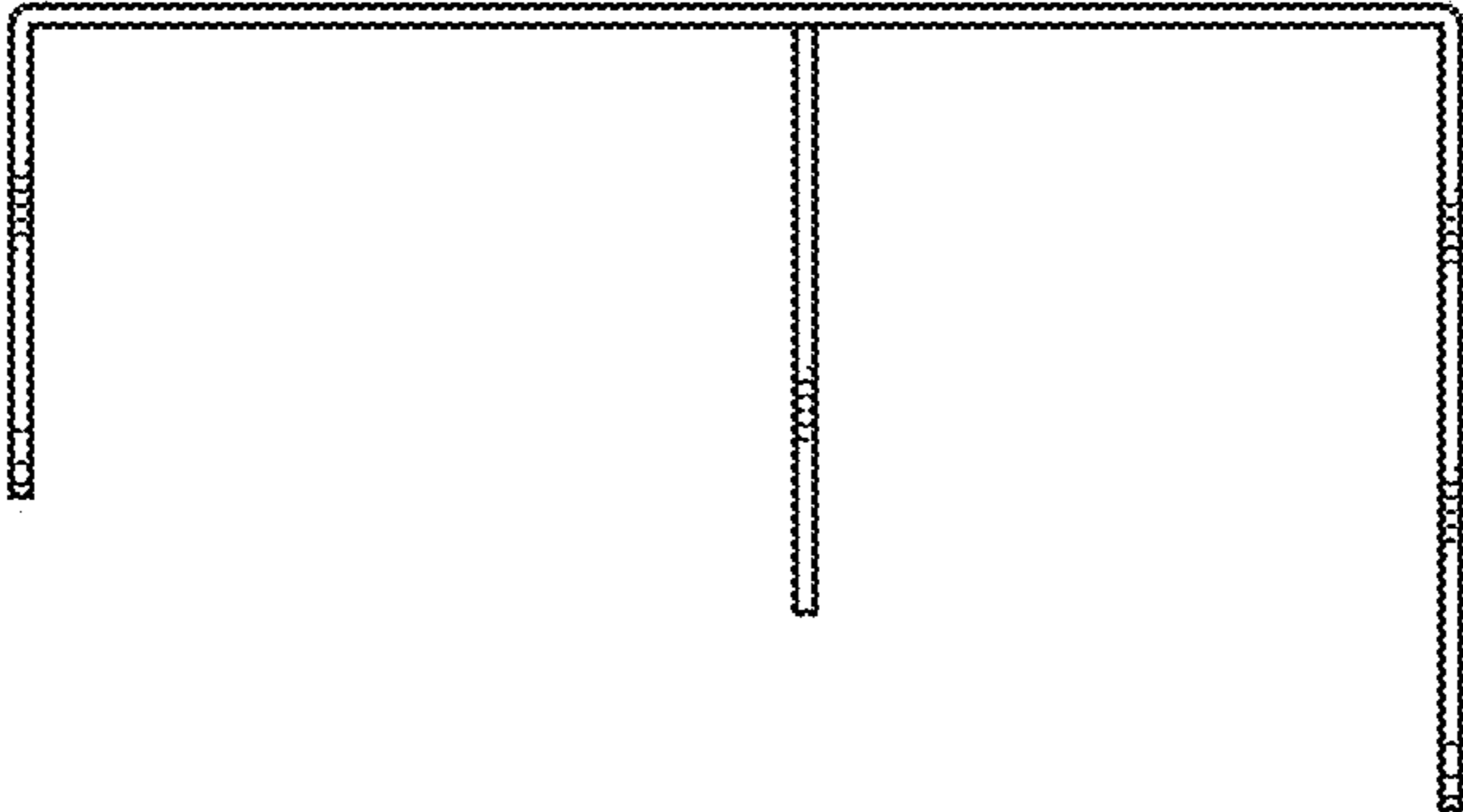


FIG. 7

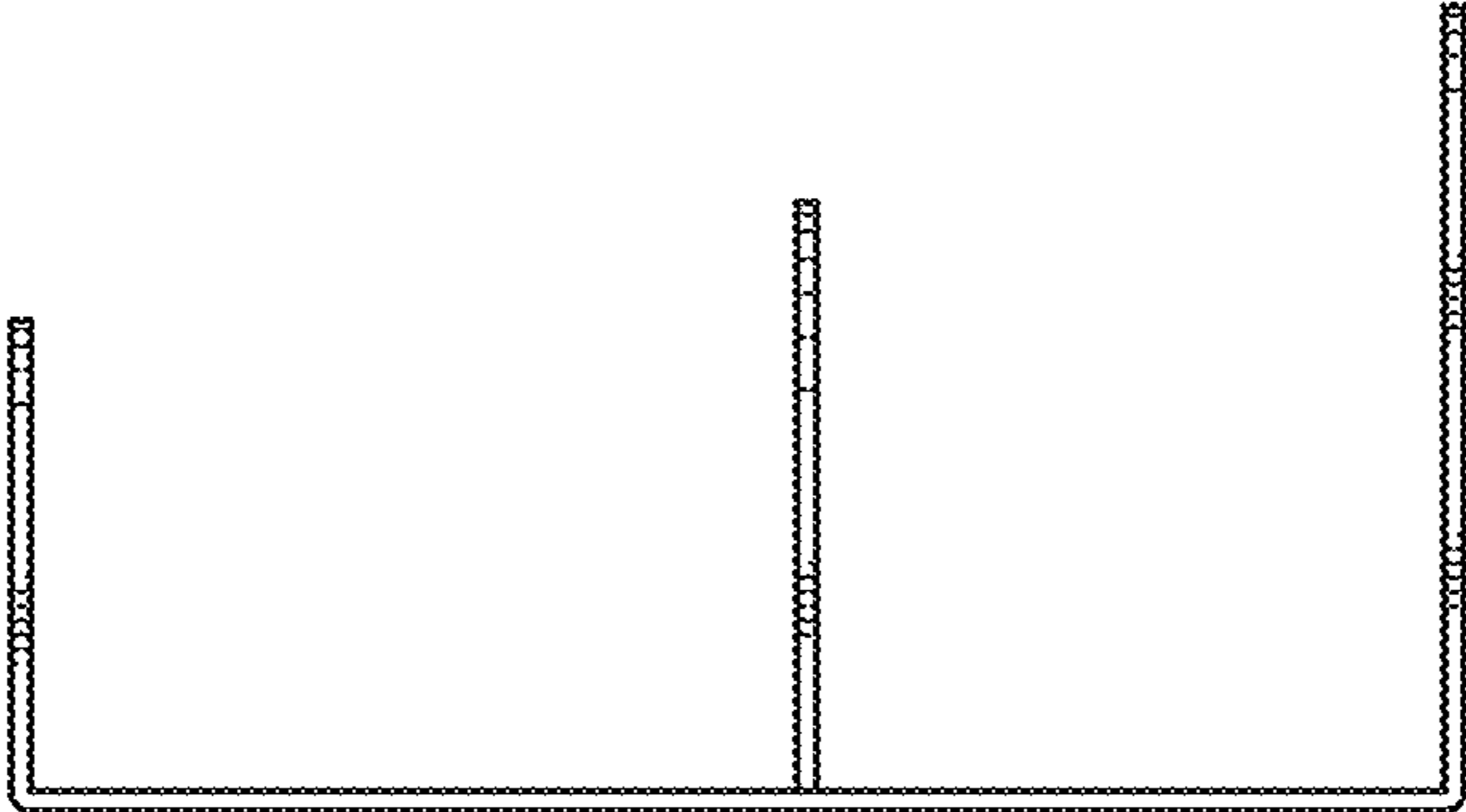


FIG. 6