



US00D706557S

(12) **United States Design Patent**
Meissner et al.

(10) **Patent No.:** **US D706,557 S**
(45) **Date of Patent:** **** *Jun. 10, 2014**

(54) **SHELVING UNIT**

D294,787 S * 3/1988 Berry, Jr. D6/474
4,819,814 A * 4/1989 Fogelgren 211/50
4,875,737 A 10/1989 Cardenas

(Continued)

(71) Applicant: **Color Ink, Inc.**, Sussex, WI (US)

(72) Inventors: **Edward T. Meissner**, Hartland, WI (US); **Randy M. Klibowitz**, Oconomowoc, WI (US)

FOREIGN PATENT DOCUMENTS

EP 1714776 10/2006
WO WO 97/00039 1/1997

(Continued)

(73) Assignee: **Color Ink, Inc.**, Sussex, WI (US)

(*) Notice: This patent is subject to a terminal disclaimer.

OTHER PUBLICATIONS

Hellmuth, N.; Herrera, S. Honeycomb Sandwich Panels, FLAAR Reports, Exhibits of Honeycomb Material at Graphispag 2011 Print Expo, Barcelona.

(Continued)

(**) Term: **14 Years**

(21) Appl. No.: **29/467,646**

(22) Filed: **Sep. 20, 2013**

Primary Examiner — Kelley Donnelly

(51) **LOC (10) Cl.** **06-06**

(74) *Attorney, Agent, or Firm* — Ryan Kromholz & Manion, S.C.

(52) **U.S. Cl.**
USPC **D6/675.1**

(57) **CLAIM**

(58) **Field of Classification Search**
USPC D6/396–397, 449, 473, 477–479, 511,
D6/675, 675.1; 108/59–60, 91–93; 211/36,
211/42–43, 85.1–85.2, 188; 312/107–108
See application file for complete search history.

The ornamental design for a shelving unit, as shown and described.

DESCRIPTION

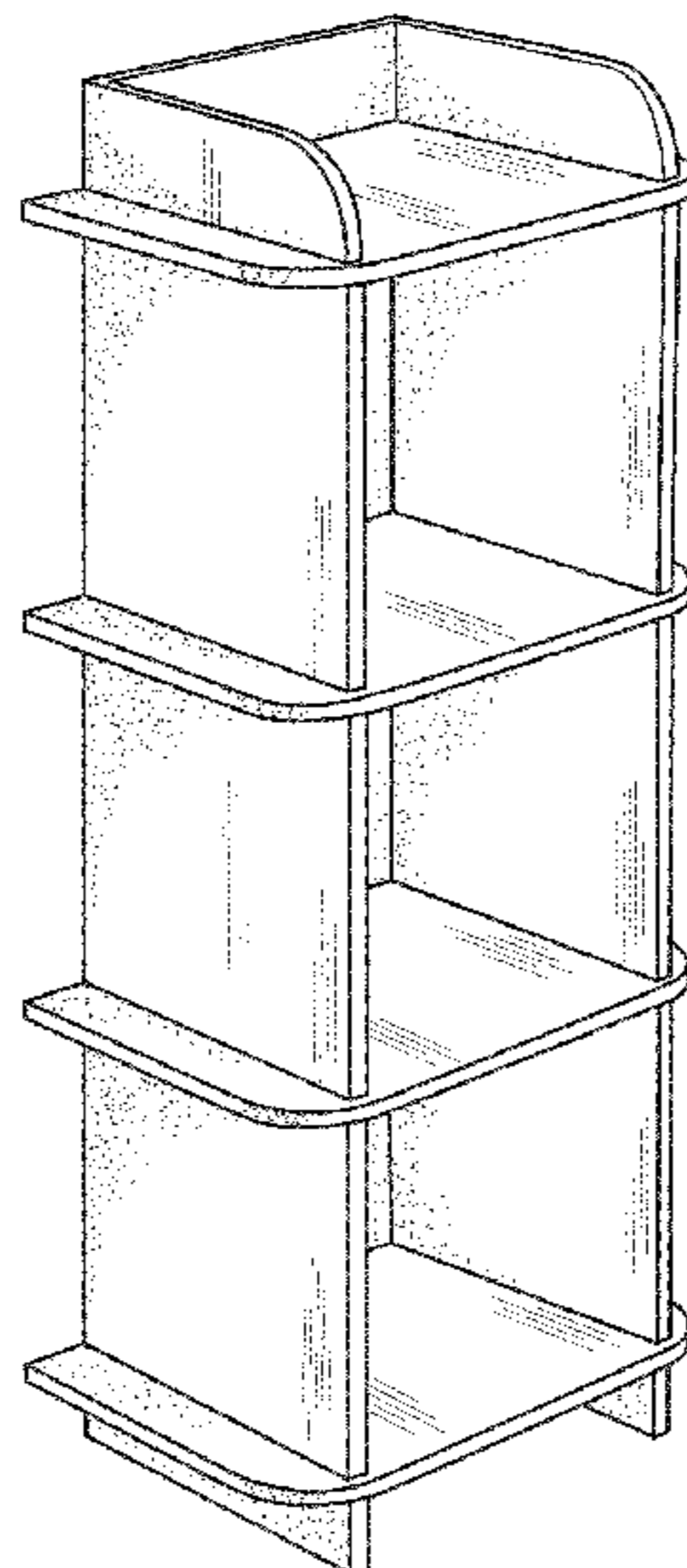
(56) **References Cited**

U.S. PATENT DOCUMENTS

D112,864 S 1/1939 Schlup
2,366,677 A * 1/1945 Rosenthal 108/60
2,649,137 A 8/1953 Roberts
3,113,356 A * 12/1963 Piper 52/473
3,312,503 A 4/1967 Suzuki
3,620,175 A 11/1971 Crane et al.
D234,413 S 3/1975 Hauner
D247,273 S * 2/1978 Peters D6/571
4,085,970 A 4/1978 Klein
D248,196 S 6/1978 Gordon, Sr.
D260,716 S 9/1981 Cohen et al.

FIG. 1 is a front perspective view of an embodiment of the shelving unit;
FIG. 2 is a front perspective view thereof and showing items in place in dotted line;
FIG. 3 is a front elevation view thereof;
FIG. 4 is a rear elevation view thereof;
FIG. 5 is a right side elevation view thereof;
FIG. 6 is a left side elevation view thereof;
FIG. 7 is a top plan view thereof; and,
FIG. 8 is a bottom plan view thereof.
The broken lines are for the purpose of illustrating the environment of the article only and form no part of the claimed design.

1 Claim, 3 Drawing Sheets



(56)

References Cited

U.S. PATENT DOCUMENTS

4,934,756 A 6/1990 Webb et al.
D330,475 S 10/1992 Bennett
D334,977 S * 4/1993 Avari D23/387
5,263,766 A 11/1993 McCullough
D348,577 S * 7/1994 Simpson D6/479
D352,182 S 11/1994 Yoshimura
5,363,775 A 11/1994 Simpson
5,450,998 A 9/1995 Esse et al.
5,644,995 A 7/1997 Gurwell et al.
D384,838 S * 10/1997 Topper et al. D6/473
D398,453 S 9/1998 Stead
D402,229 S 12/1998 Christensen
D403,900 S 1/1999 Hutton
5,855,175 A * 1/1999 Forbes 108/180
D408,176 S 4/1999 Rollins et al.
D416,147 S * 11/1999 Dickinson et al. D6/479
6,027,188 A 2/2000 Nickens
D426,987 S * 6/2000 Lewis D6/479
D450,488 S * 11/2001 Stone et al. D6/479
D450,518 S * 11/2001 Frederick D6/630
6,532,878 B2 3/2003 Tidemann
D476,510 S * 7/2003 Henry et al. D6/479
D477,165 S 7/2003 Petri
D483,966 S 12/2003 Forlenza et al.
D501,338 S * 2/2005 Deasy et al. D6/479
D503,569 S * 4/2005 Lenger D6/474
D529,726 S 10/2006 Cutler et al.
D535,497 S 1/2007 Portnoy
D552,900 S * 10/2007 Wilenius D6/509
D553,393 S 10/2007 Cassel
D556,474 S 12/2007 Good
D562,594 S 2/2008 Thompson
D565,331 S 4/2008 Miller

D568,626 S 5/2008 Gharabegian
D592,891 S * 5/2009 Alfonso D6/479
D595,515 S 7/2009 Collette
7,625,047 B2 12/2009 Bertele
D607,667 S * 1/2010 Cayouette D6/449
D646,072 S 10/2011 Katina
D648,959 S 11/2011 Alden
D651,121 S 12/2011 Grimme
D655,948 S * 3/2012 Dardashti et al. D6/478
D663,257 S 7/2012 Stroud et al.
D664,377 S * 7/2012 Pennacchio D6/479
D665,198 S * 8/2012 Levy et al. D6/478
D669,686 S 10/2012 Waggoner
D672,960 S 12/2012 Turner
D674,191 S 1/2013 Sakaguchi
D677,943 S * 3/2013 Mendoza D6/675.1
2003/0010738 A1 1/2003 Hsia et al.
2003/0066814 A1 4/2003 Wang
2008/0237319 A1 10/2008 Hensey et al.

FOREIGN PATENT DOCUMENTS

WO WO 2004/042237 5/2004
WO WO 2011/000380 1/2011
WO WO 2011/031209 3/2011
WO WO 2011/162687 12/2011

OTHER PUBLICATIONS

Stora Enso Re-Board Product Website—Re-Board Material and Products, May 20, 2013.
Northern Design Re-Board Product Website—Gallery of Products, May 20, 2013.
POS Factory Website—Re-board partner website, May 20, 2013.

* cited by examiner

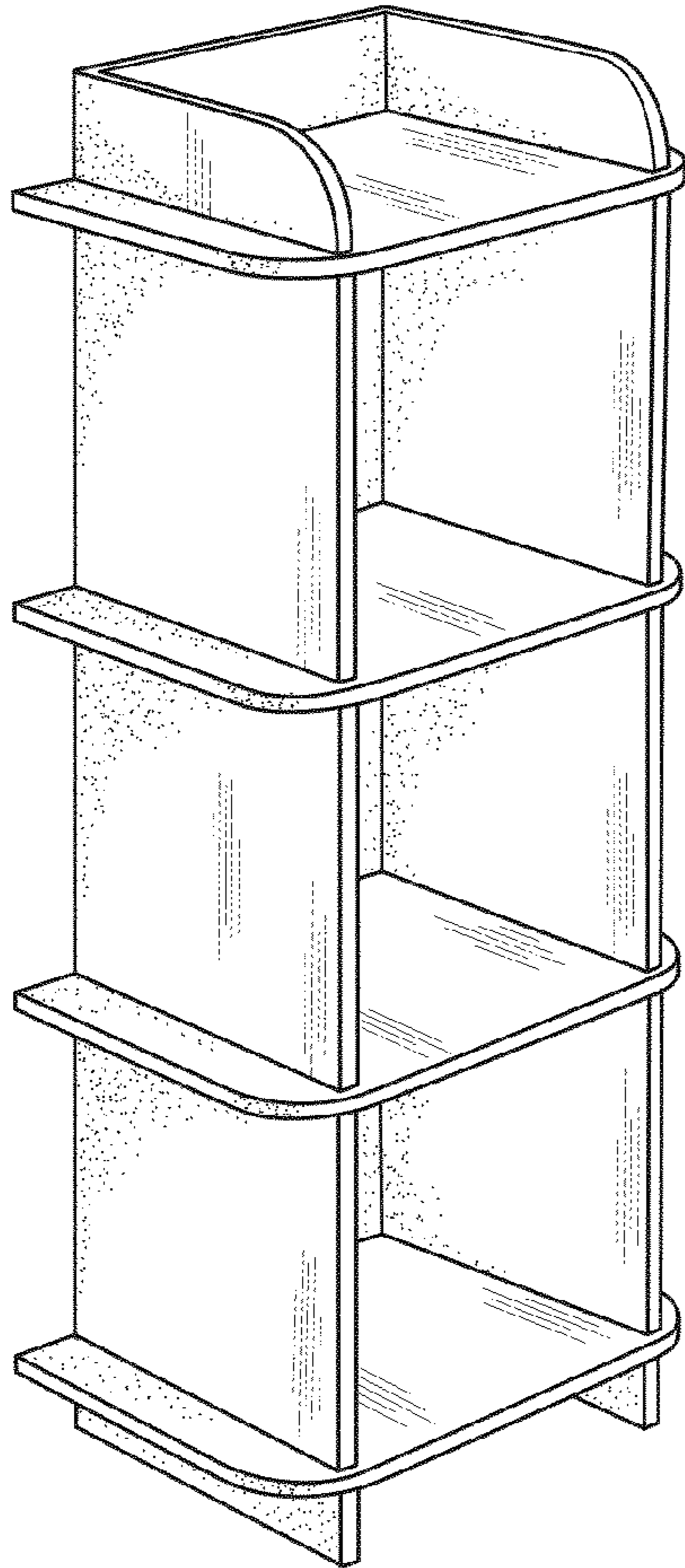


Fig. 1

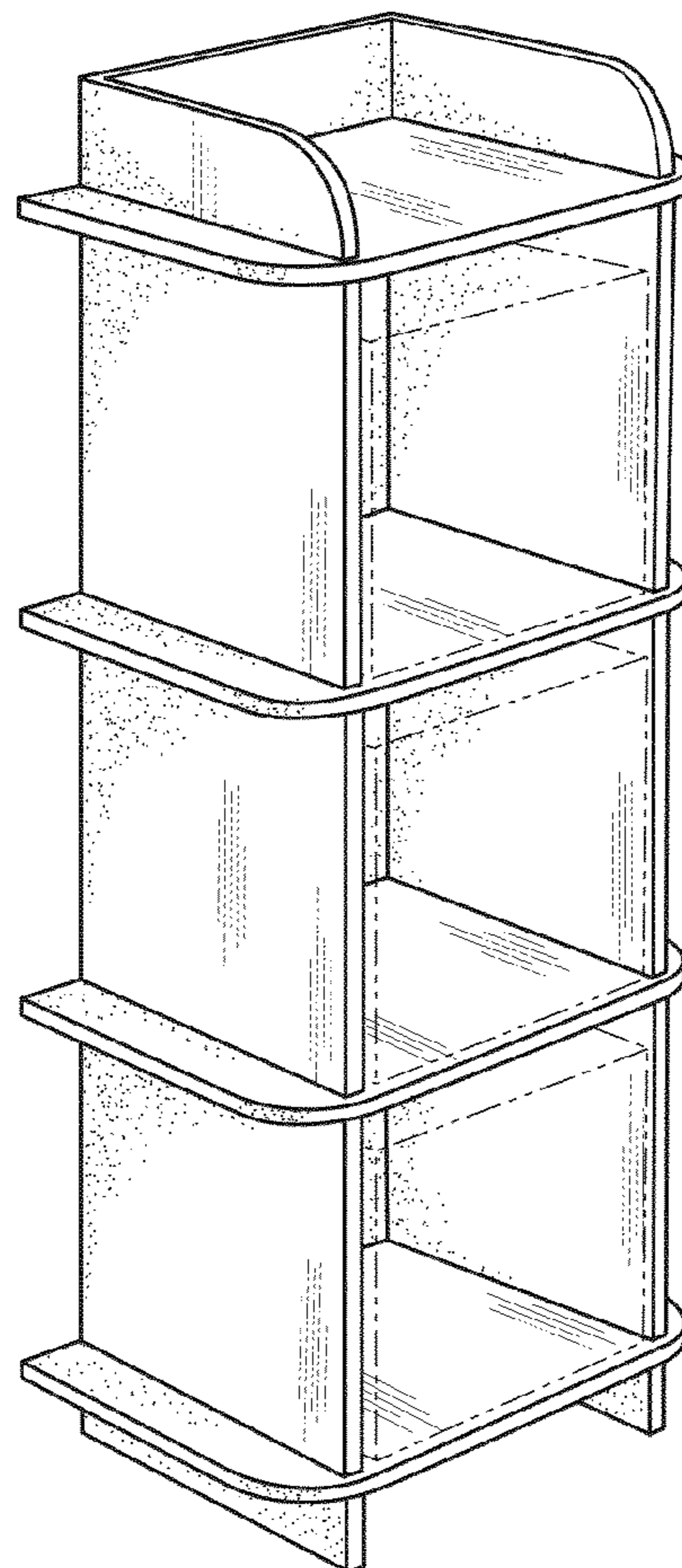


Fig. 2

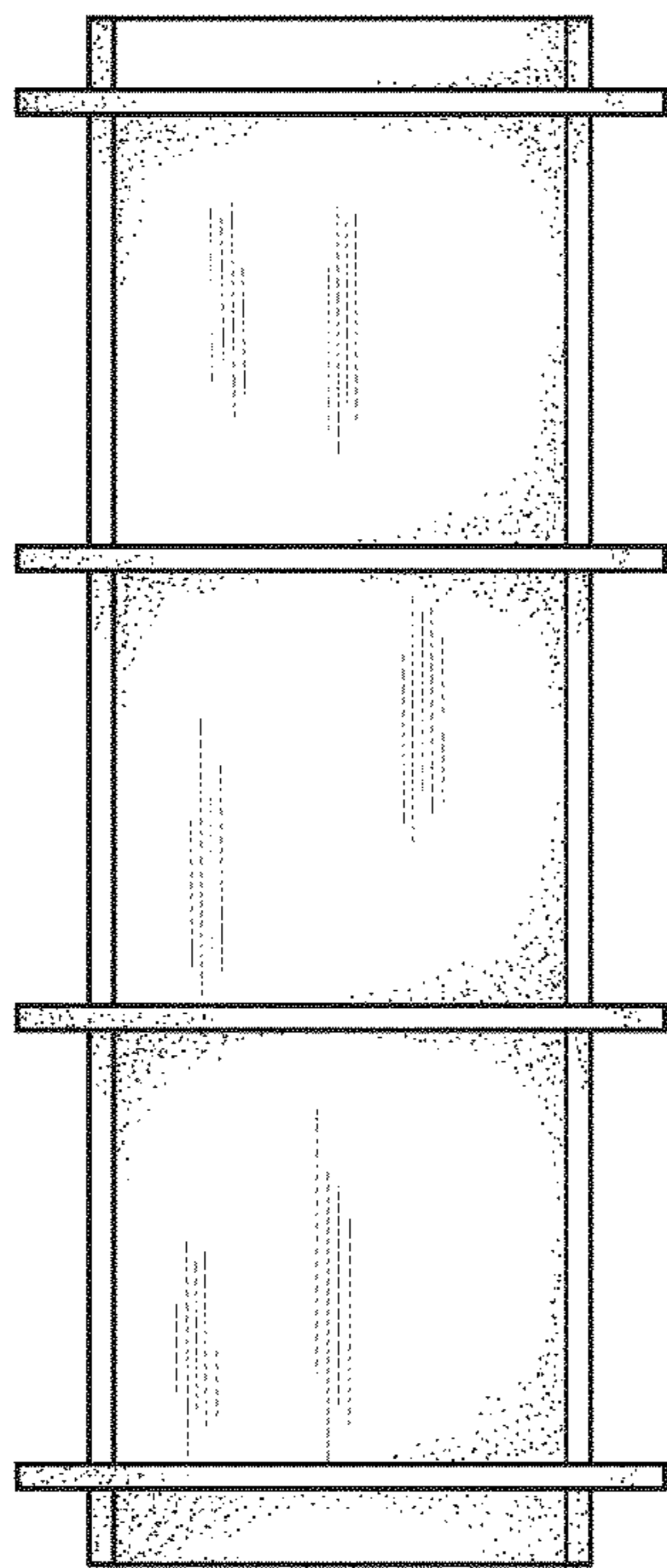


Fig. 3

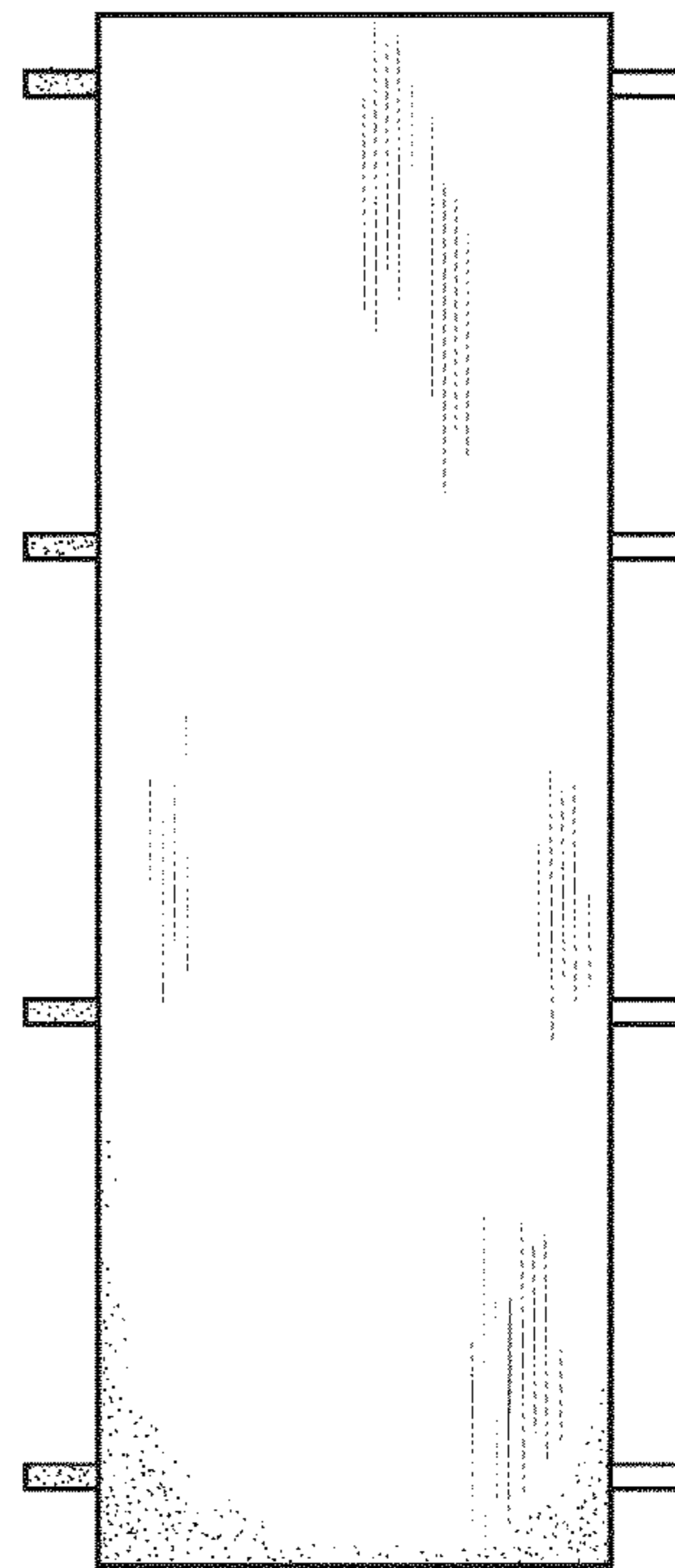


Fig. 4

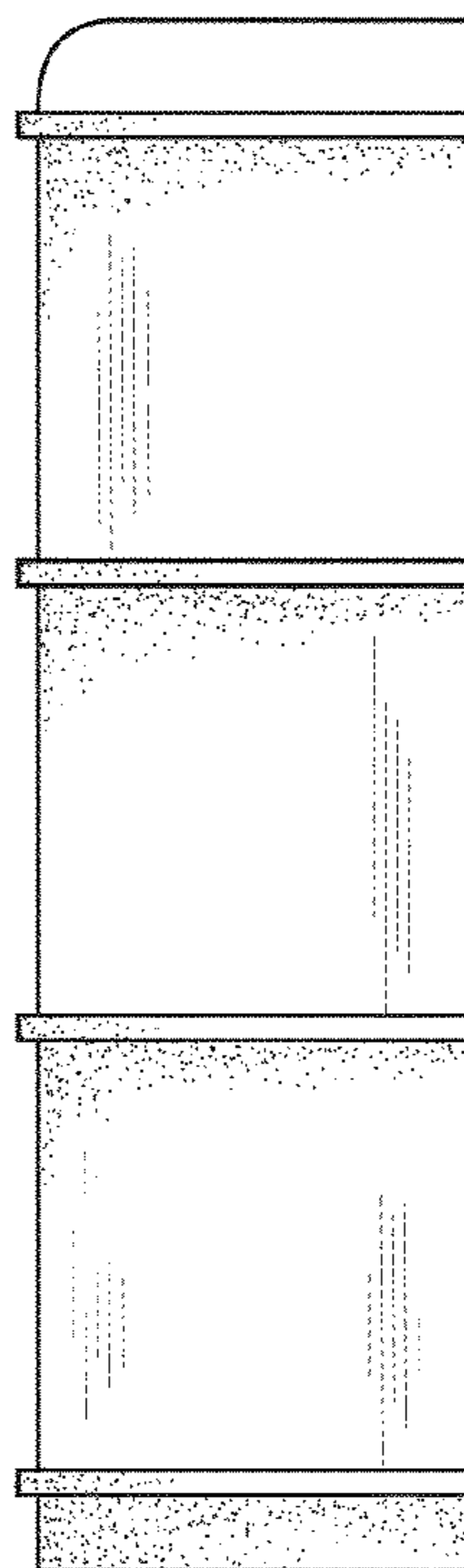


Fig. 5

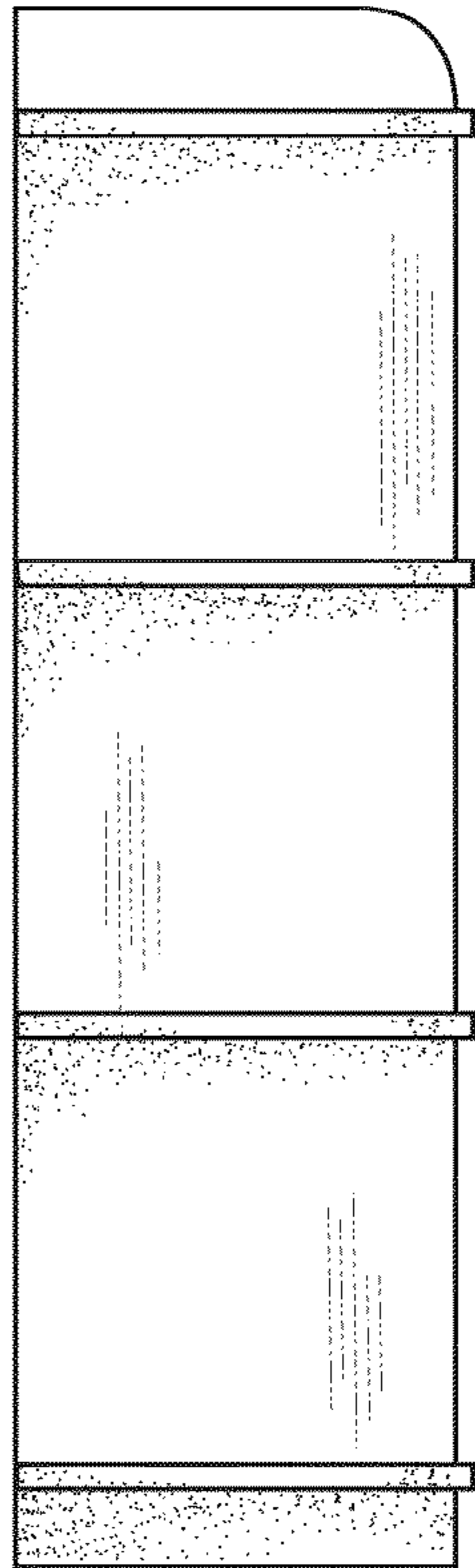


Fig. 6

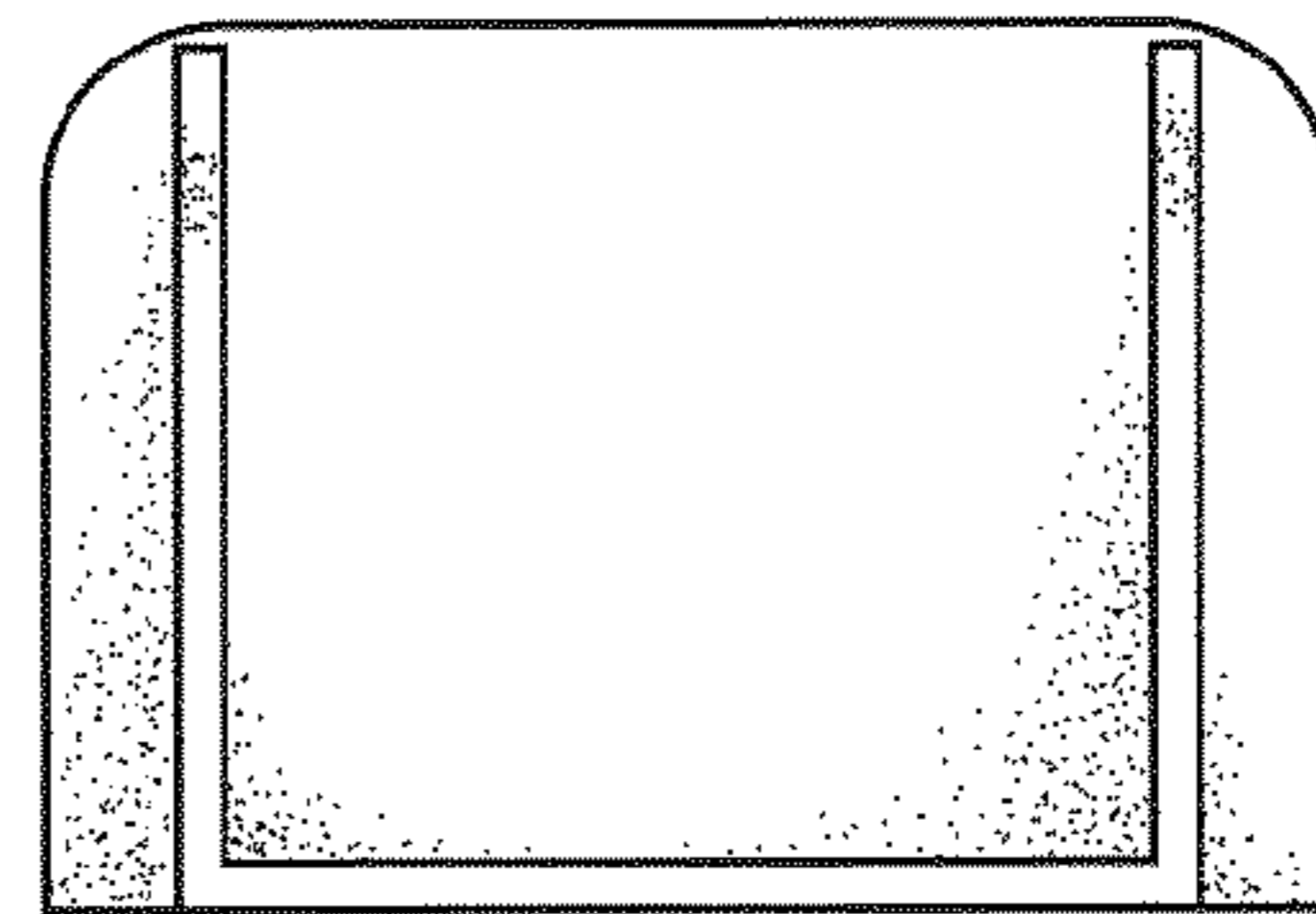


Fig. 7

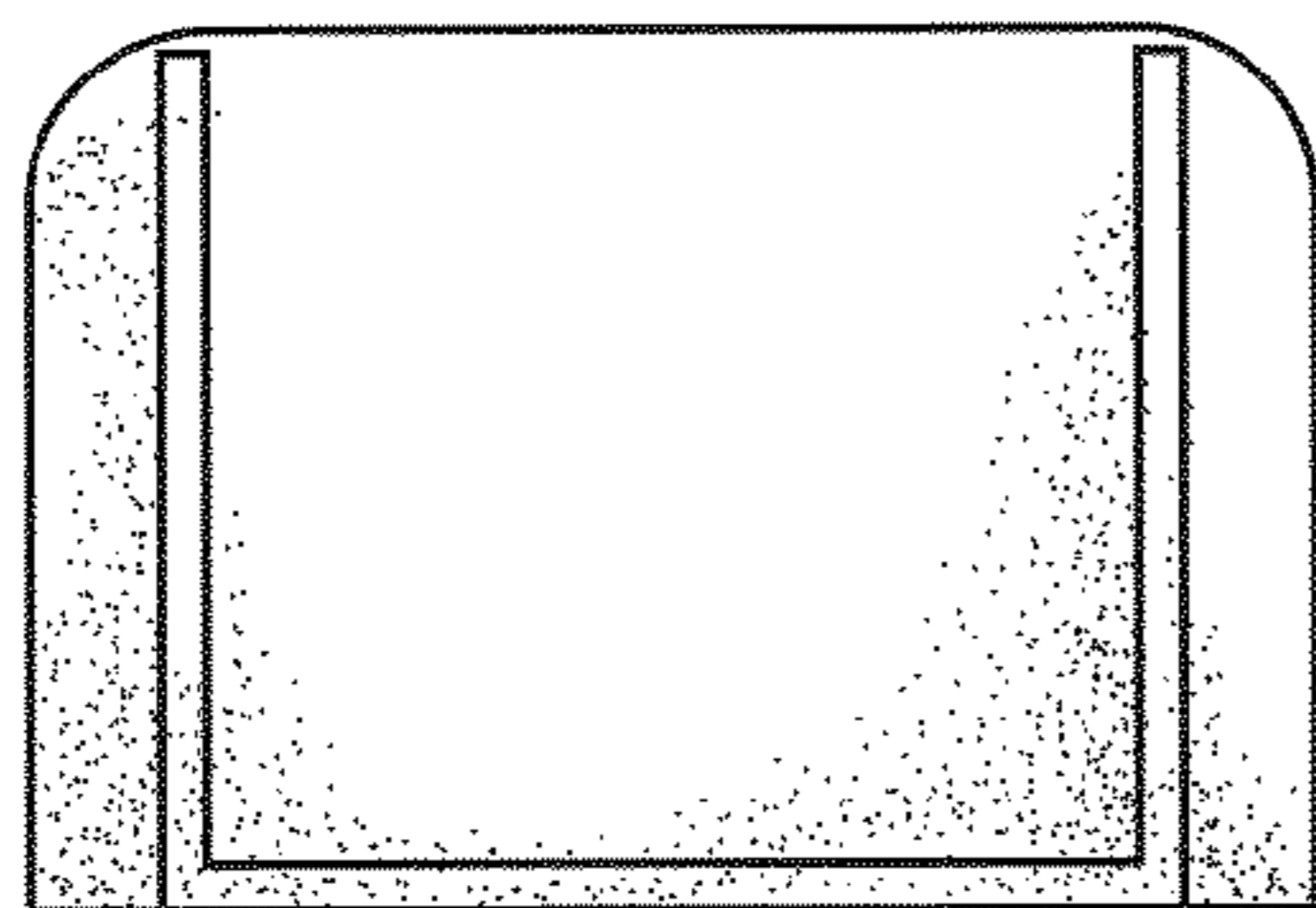


Fig. 8