



US00D706549S

(12) **United States Design Patent**
Cho

(10) **Patent No.:** **US D706,549 S**
(45) **Date of Patent:** **** Jun. 10, 2014**

- (54) **CADDY**
- (71) Applicant: **3M Innovative Properties Company**,
St. Paul, MN (US)
- (72) Inventor: **Eun-Haun Cho**, Seoul (KR)
- (73) Assignee: **3M Innovative Properties Company**,
St. Paul, MN (US)

D515,858 S *	2/2006	Hay	D6/524
7,032,270 B2	4/2006	Vitantonio		
7,159,265 B2	1/2007	Soller		
7,308,728 B2	12/2007	Haviv		
7,316,046 B2	1/2008	Michaels		
7,424,764 B2	9/2008	Trenz		
7,581,276 B2	9/2009	Endo		
7,669,715 B2	3/2010	Wang		
D651,836 S *	1/2012	Libman et al.	D6/524
D689,299 S *	9/2013	Kassem Llano et al.	D6/524

(**) Term: **14 Years**

(21) Appl. No.: **29/460,263**

(22) Filed: **Jul. 9, 2013**

(51) **LOC (10) Cl.** **23-02**

(52) **U.S. Cl.**
USPC **D6/524; D6/551**

(58) **Field of Classification Search**
USPC D6/524, 525, 551; 206/207, 349, 361;
312/206, 207; 4/255.05, 255.11
See application file for complete search history.

(56) **References Cited**

U.S. PATENT DOCUMENTS

5,440,775 A	8/1995	Banks	
5,592,713 A	1/1997	Rones	
5,984,555 A	11/1999	Samad	
6,292,971 B1	9/2001	Chaudray	
D491,404 S *	6/2004	Dotterman et al. D6/551
6,745,427 B1	6/2004	Trenz	
D493,994 S *	8/2004	Belt et al. D6/551
6,902,056 B2	6/2005	Dotterman	

FOREIGN PATENT DOCUMENTS

WO	WO 2004/066783	8/2004
WO	WO 2005/046418	5/2005

* cited by examiner

Primary Examiner — Brian N Vinson
(74) *Attorney, Agent, or Firm* — Irina Hass

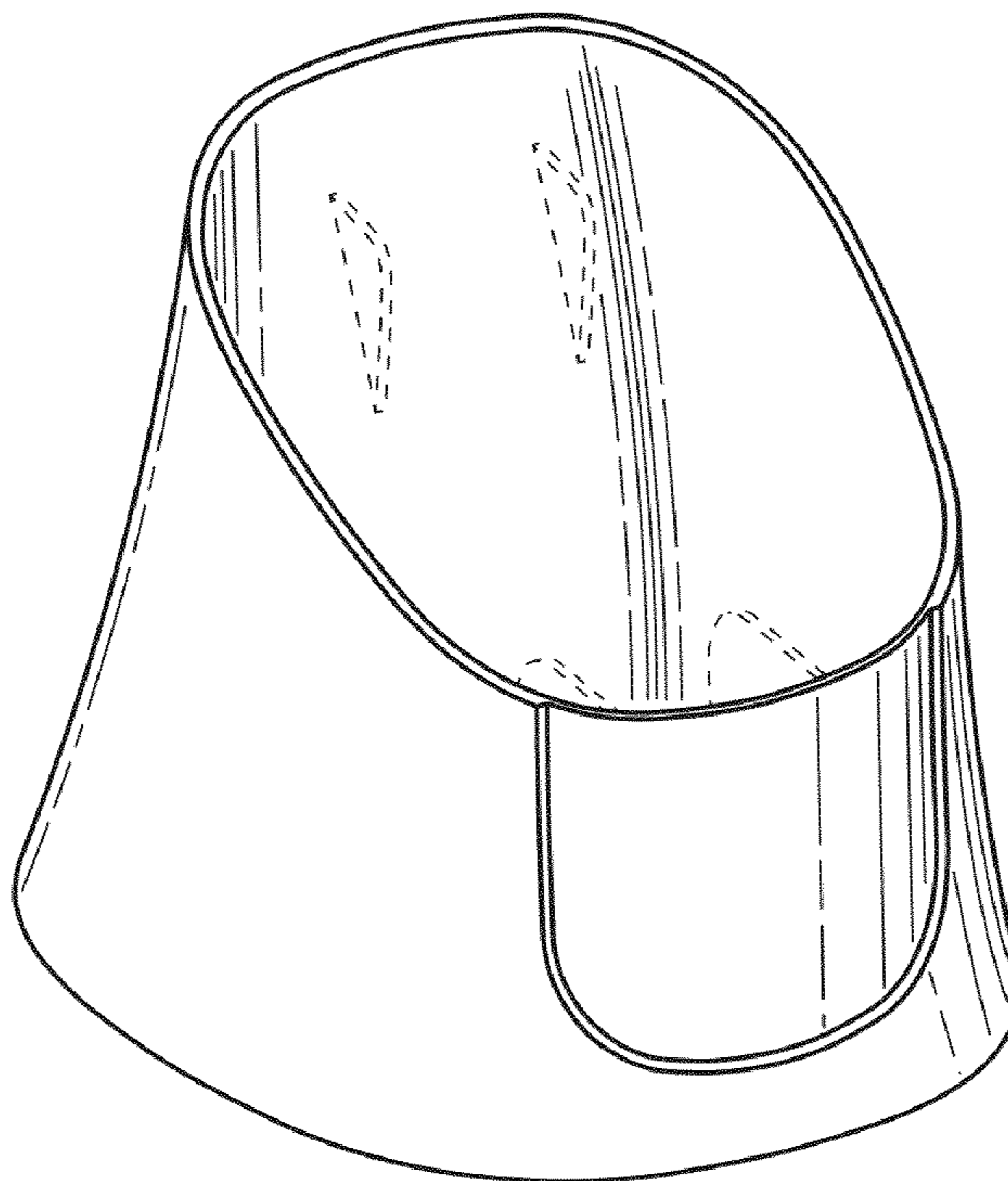
(57) **CLAIM**

The ornamental design for a caddy, as shown and described.

DESCRIPTION

FIG. 1 is a perspective view showing the new design for a caddy;
FIG. 2 is a front view thereof;
FIG. 3 is a rear view thereof;
FIG. 4 is a right side view thereof, a left side view being a mirror image thereof;
FIG. 5 is a top view thereof; and,
FIG. 6 is a bottom view thereof.
The portions of the caddy shown in broken lines form no part of the claimed design.

1 Claim, 2 Drawing Sheets



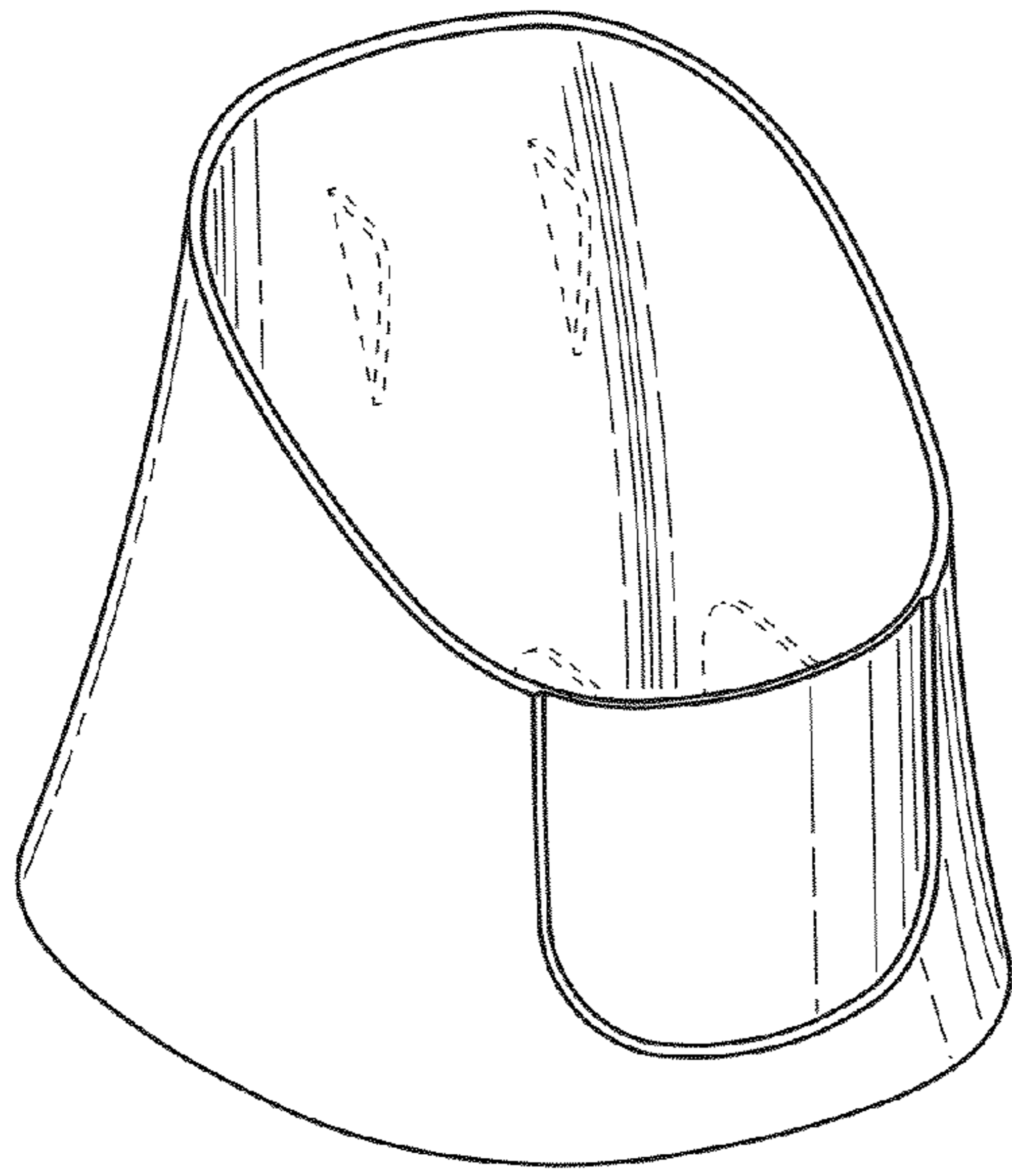


Fig. 1

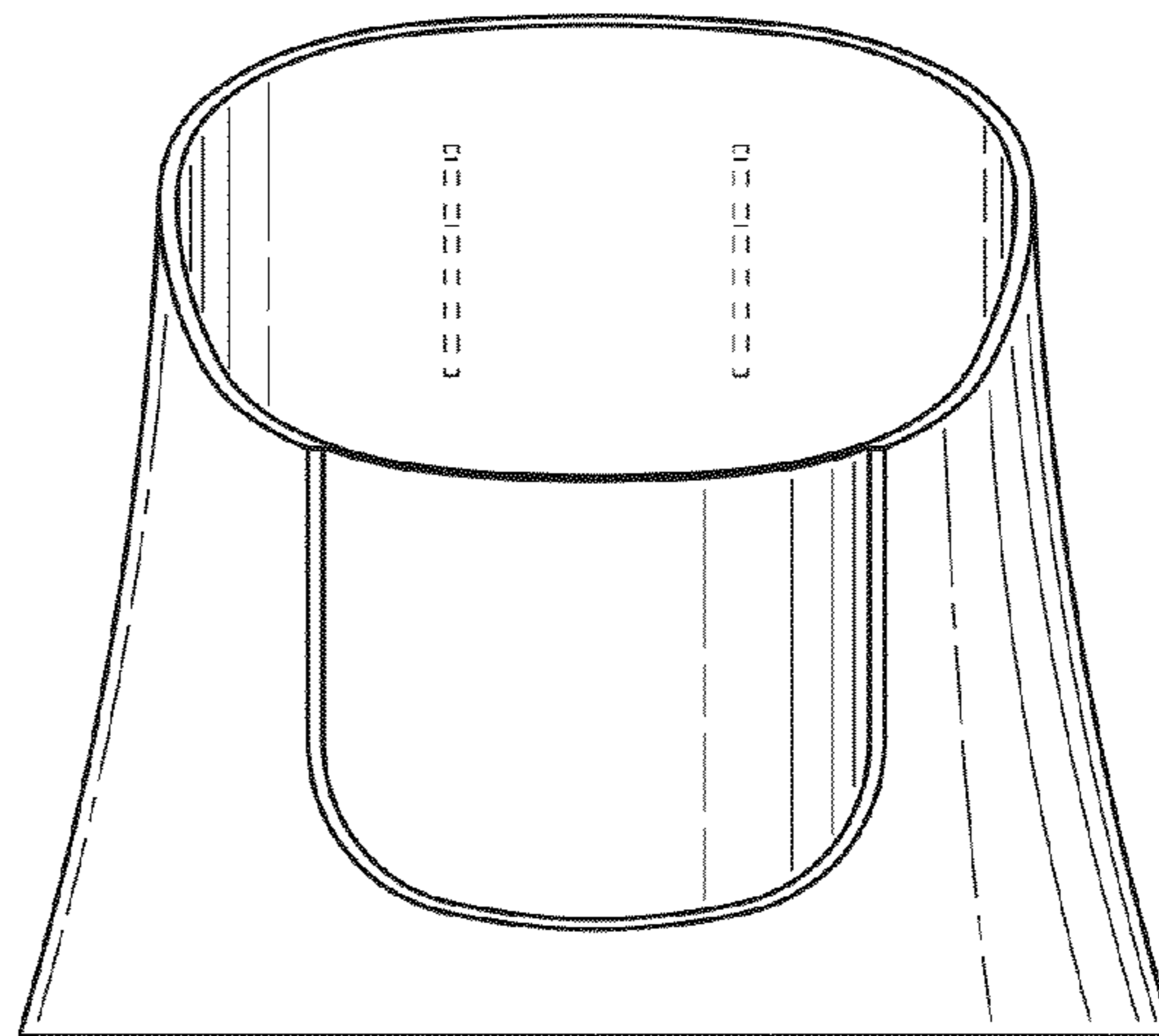


Fig. 2

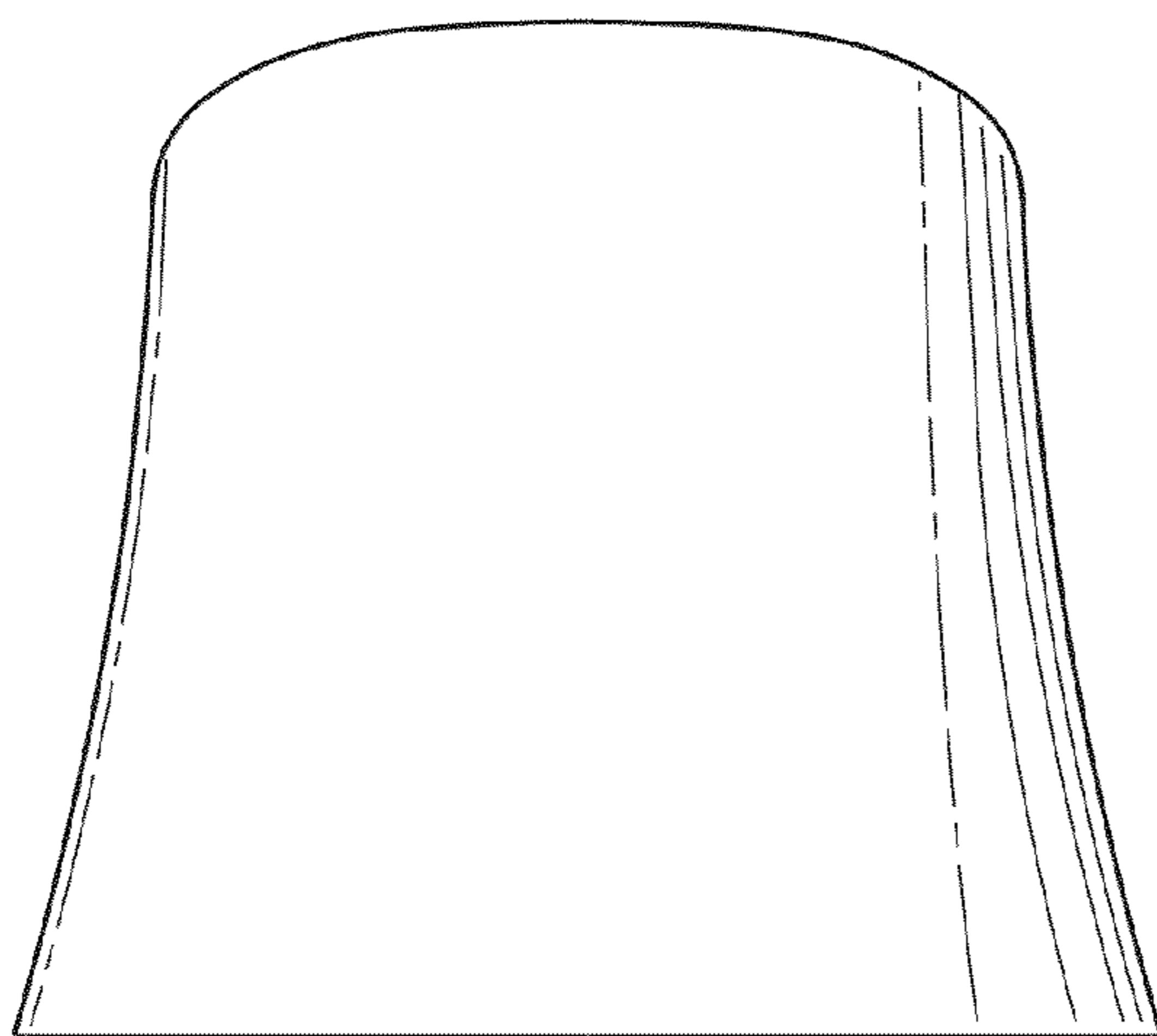


Fig. 3

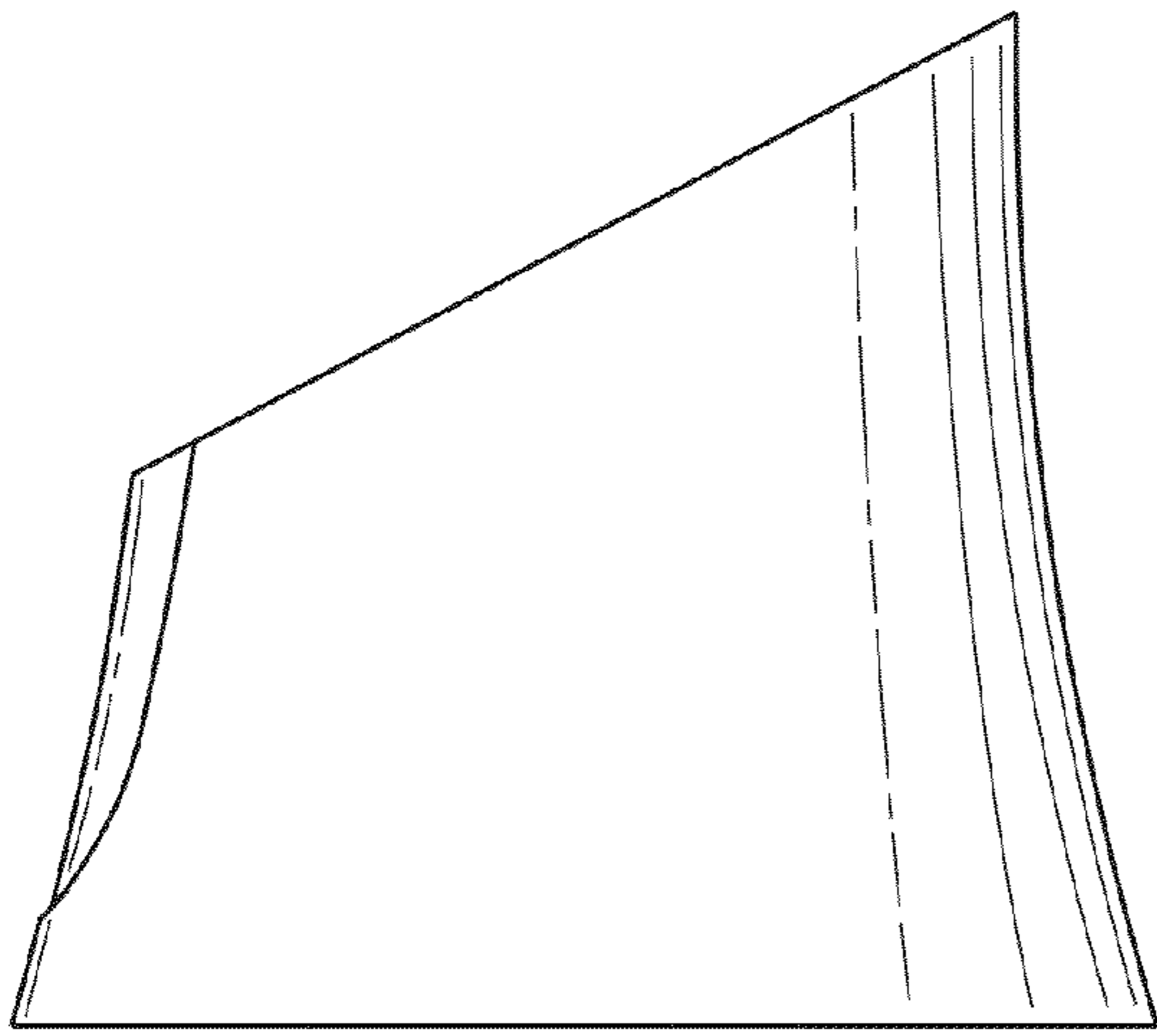


Fig. 4

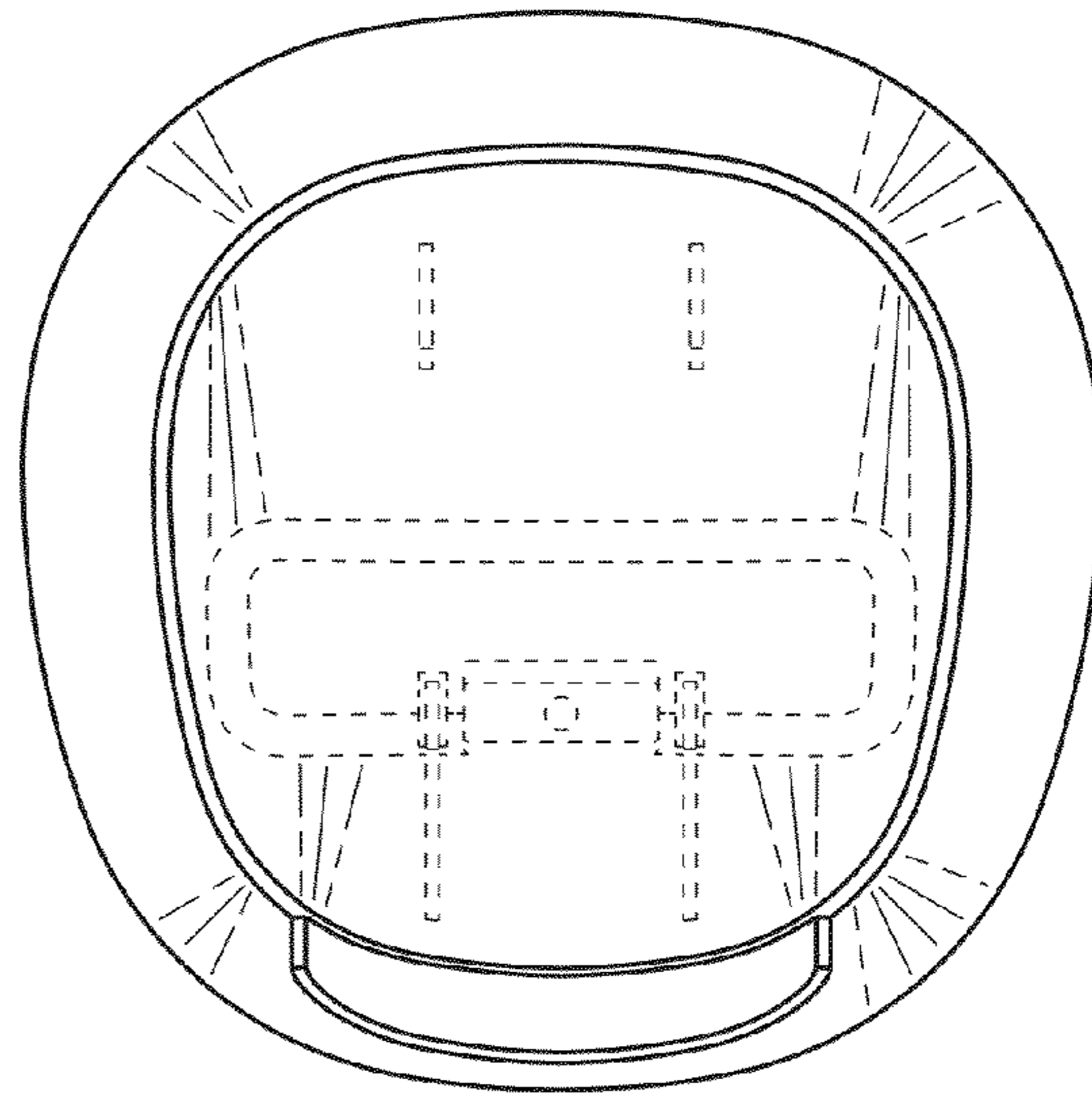


Fig. 5

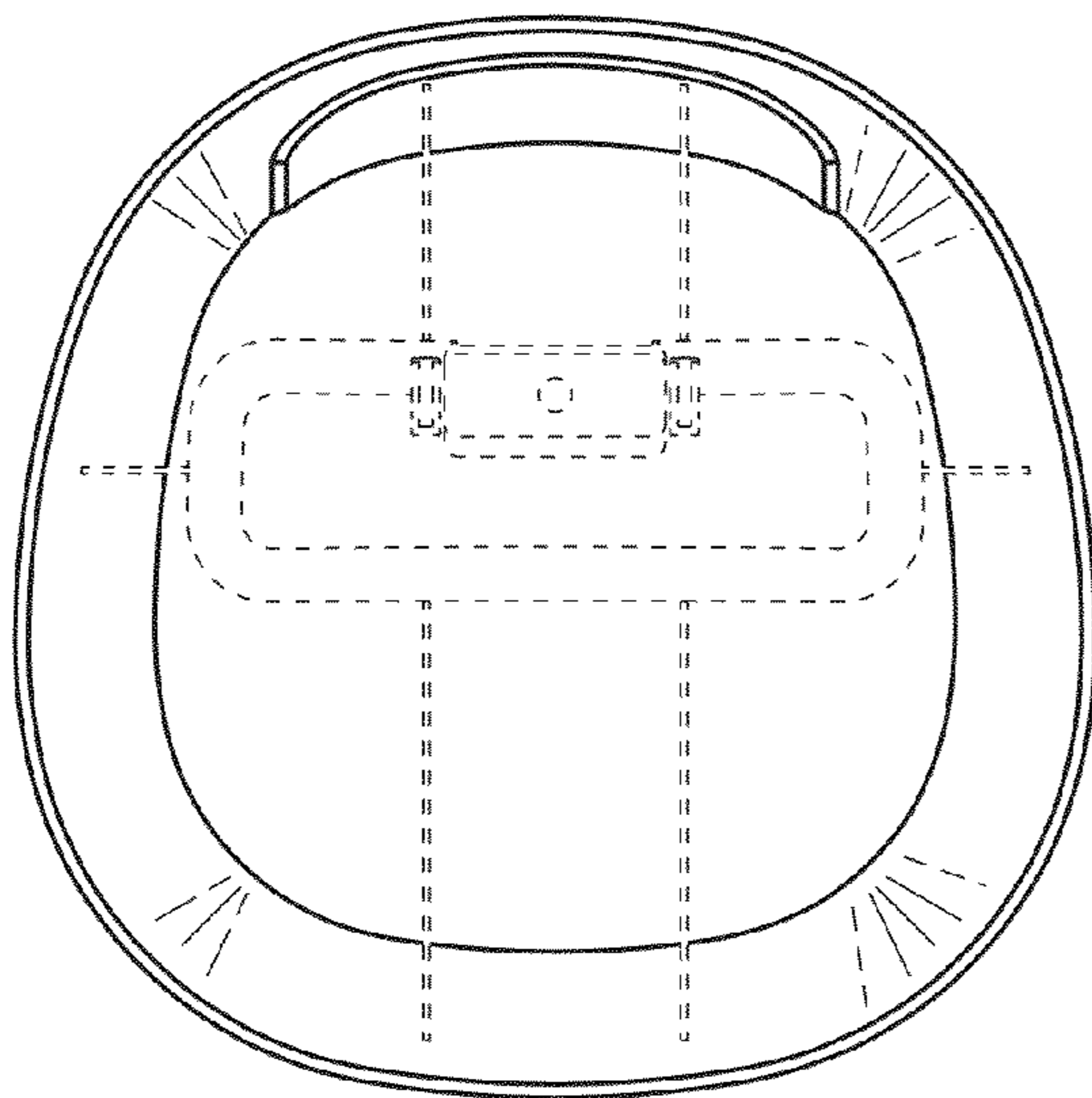


Fig. 6