



US00D706548S

(12) **United States Design Patent**  
**Laudon et al.**

(10) **Patent No.:** **US D706,548 S**  
(45) **Date of Patent:** **\*\* Jun. 10, 2014**

- (54) **ELEVATED PLANTER**
- (71) Applicant: **Venture Products, LLC**, Milwaukee, WI (US)
- (72) Inventors: **David Laudon**, Milwaukee, WI (US);  
**Frank Starr**, New Berlin, WI (US);  
**Richard S Walters**, Port Washington, WI (US)
- (\*\*) Term: **14 Years**
- (21) Appl. No.: **29/435,789**
- (22) Filed: **Oct. 29, 2012**
- (51) **LOC (10) Cl.** ..... **06-06**
- (52) **U.S. Cl.**  
USPC ..... **D6/403; D11/156**
- (58) **Field of Classification Search**  
USPC ..... D6/403-405, 556-558; D8/1;  
D11/143-156, 164; D19/77, 80, 81,  
D19/84; D25/100; D26/9-11, 16, 19;  
D34/1, 2, 4-6; D99/5, 19; 47/17, 32.4,  
47/32.5, 33, 39, 41.01, 41.1, 41.11-41.15,  
47/44-47, 65, 65.5, 65.9, 66.1, 66.6, 66.7,  
47/67-71  
See application file for complete search history.

- D271,954 S \* 12/1983 Neil ..... D11/156
- D271,955 S \* 12/1983 Neil ..... D11/156
- D384,908 S \* 10/1997 Tuttle ..... D11/155
- D606,773 S \* 12/2009 Copp et al. .... D6/403
- D642,401 S \* 8/2011 Lien et al. .... D6/403
- D643,647 S \* 8/2011 Owen et al. .... D6/403
- D655,141 S \* 3/2012 Isorez ..... D8/1
- D655,220 S \* 3/2012 Rossi ..... D11/145
- D666,464 S \* 9/2012 Austin ..... D8/1
- D676,355 S \* 2/2013 Williamsen ..... D11/156

\* cited by examiner

*Primary Examiner* — Elizabeth Albert

(74) *Attorney, Agent, or Firm* — Rathe Lindenbaum LLP

(57) **CLAIM**

We claim the ornamental design for an elevated planter, as shown and described.

**DESCRIPTION**

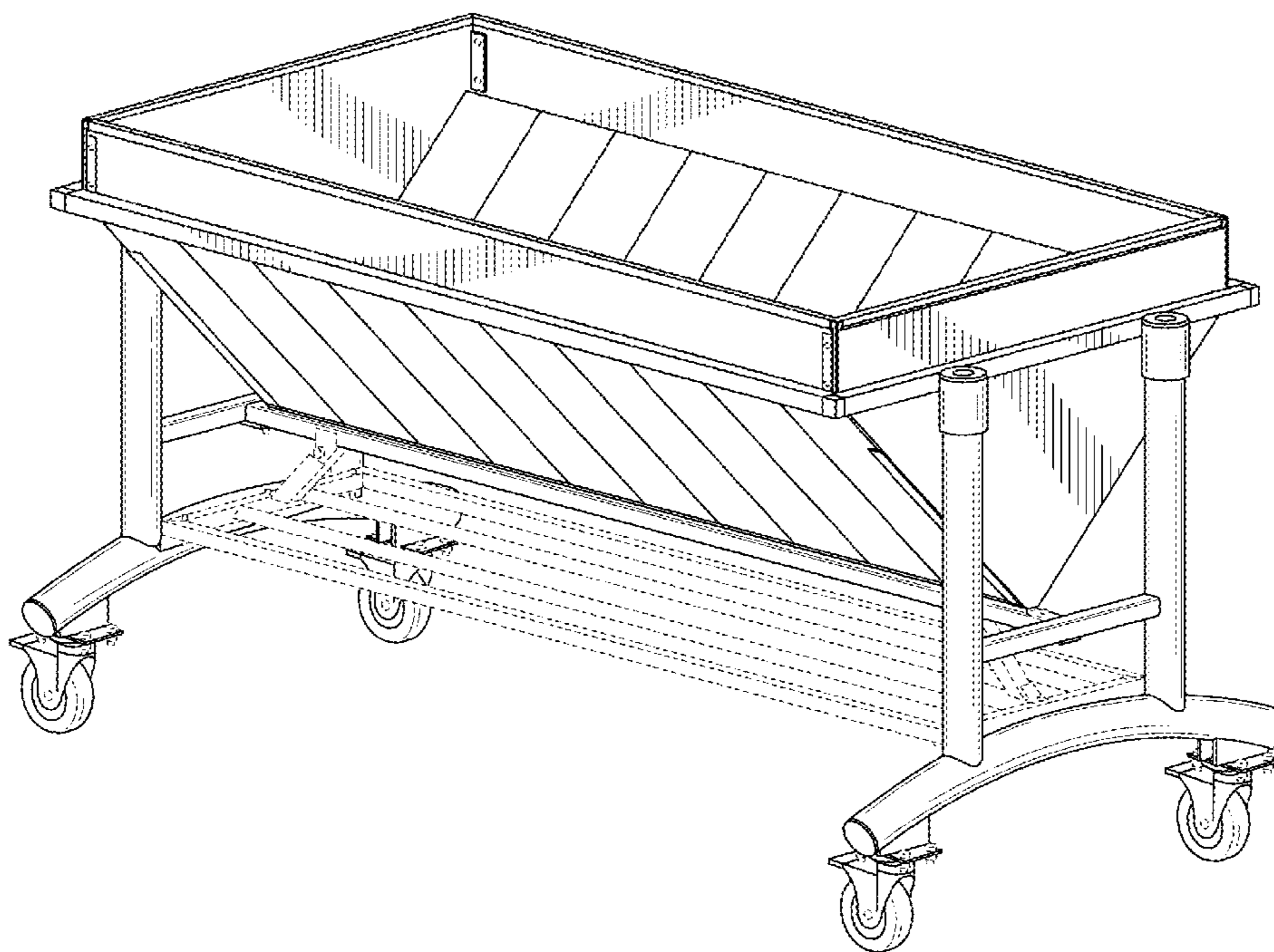
FIG. 1 is an isometric view of a first embodiment of an elevated planter showing the claimed design;  
 FIG. 2 is a front view thereof;  
 FIG. 3 is a rear view thereof;  
 FIG. 4 is a right side view thereof;  
 FIG. 5 is a top view thereof;  
 FIG. 6 is an isometric view of a second embodiment of an elevated planter; and,  
 FIG. 7 is a top view thereof.  
 The front, rear, right and left views of the second embodiment of the design are identical to the front, rear, right and left views of the first embodiment.

(56) **References Cited**

**U.S. PATENT DOCUMENTS**

- 1,980,239 A \* 11/1934 Vetter ..... 47/44
- D245,407 S \* 8/1977 Ware ..... D11/144

**1 Claim, 7 Drawing Sheets**



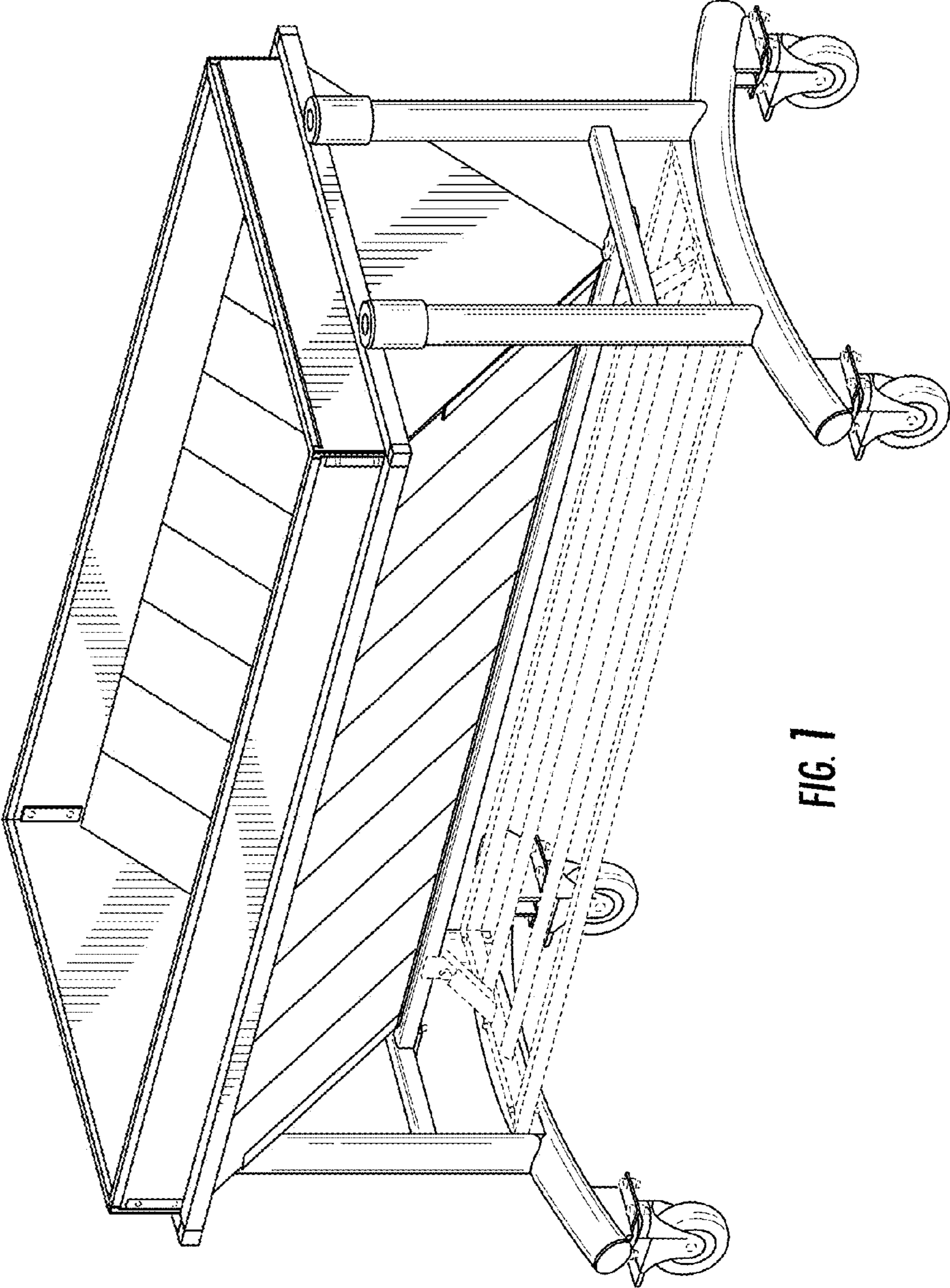


FIG. 1

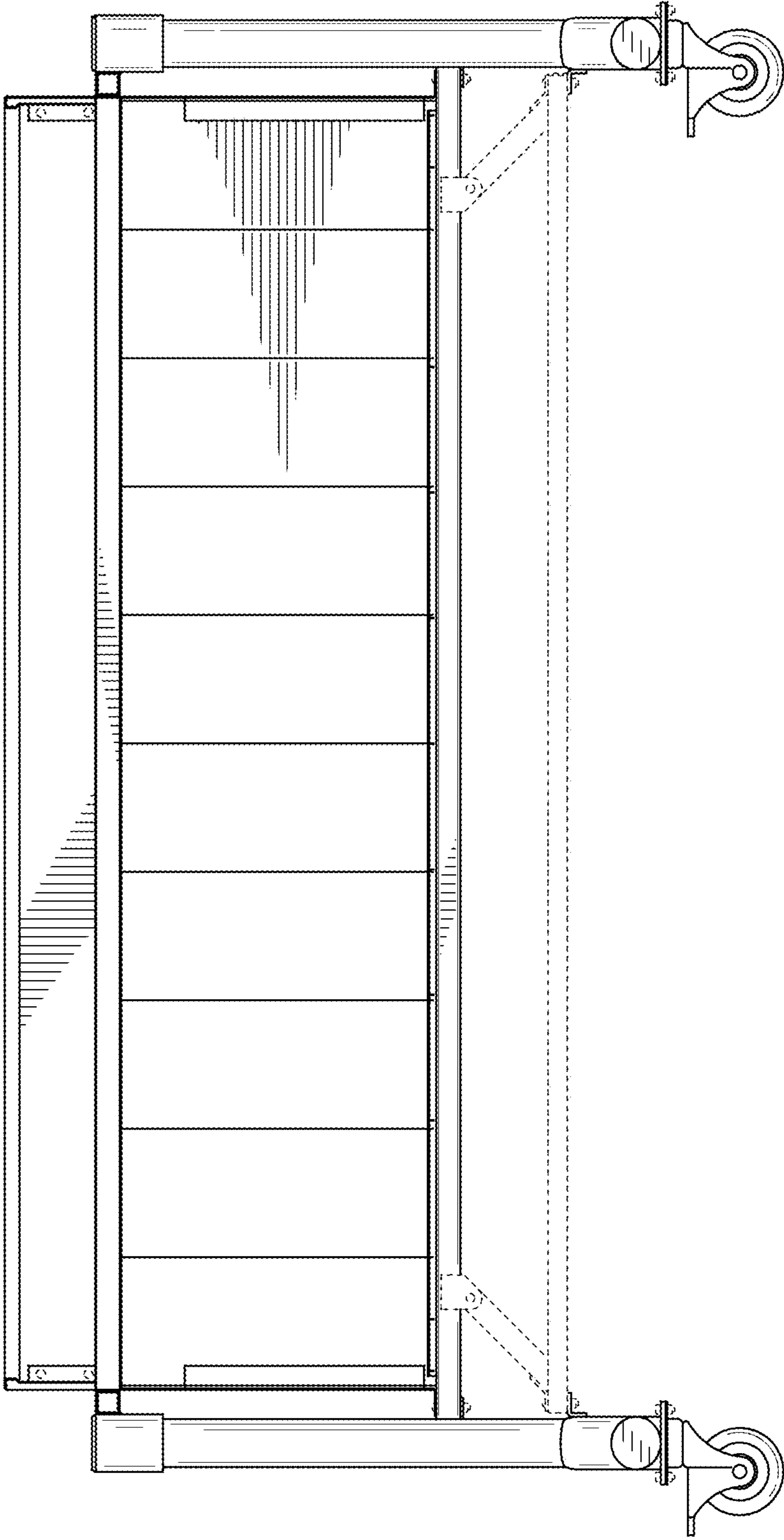


FIG. 2

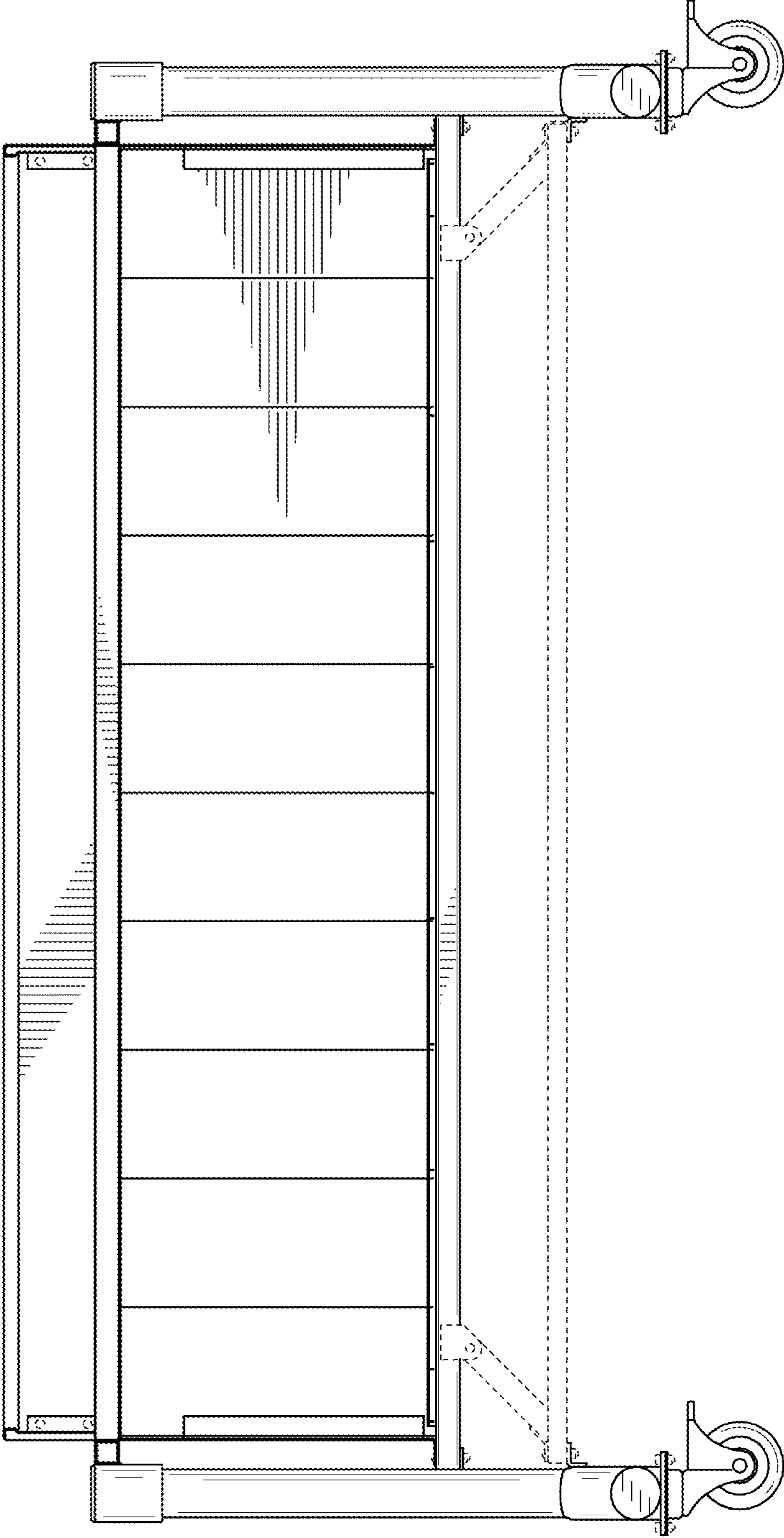
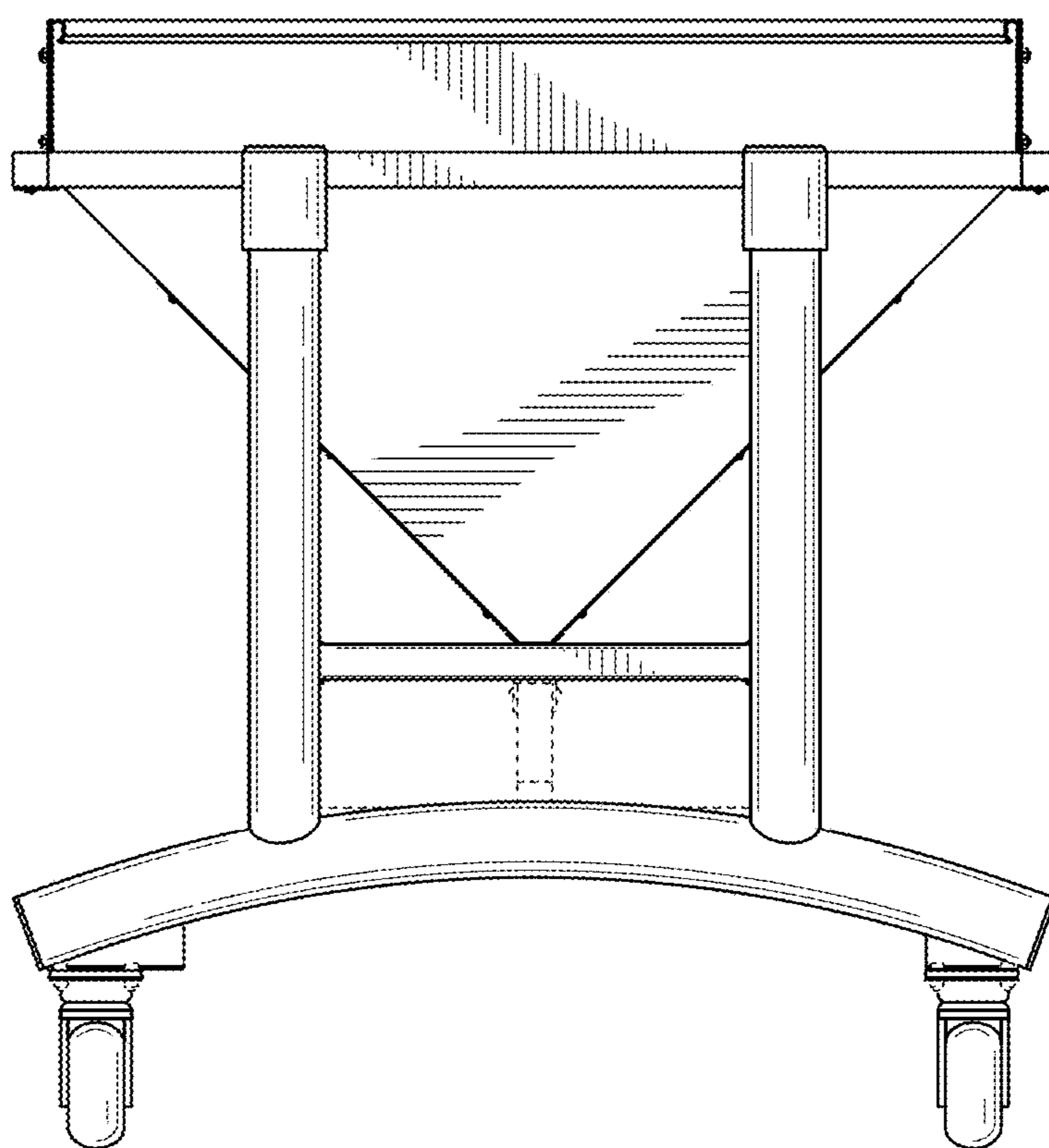


FIG. 3



**FIG. 4**

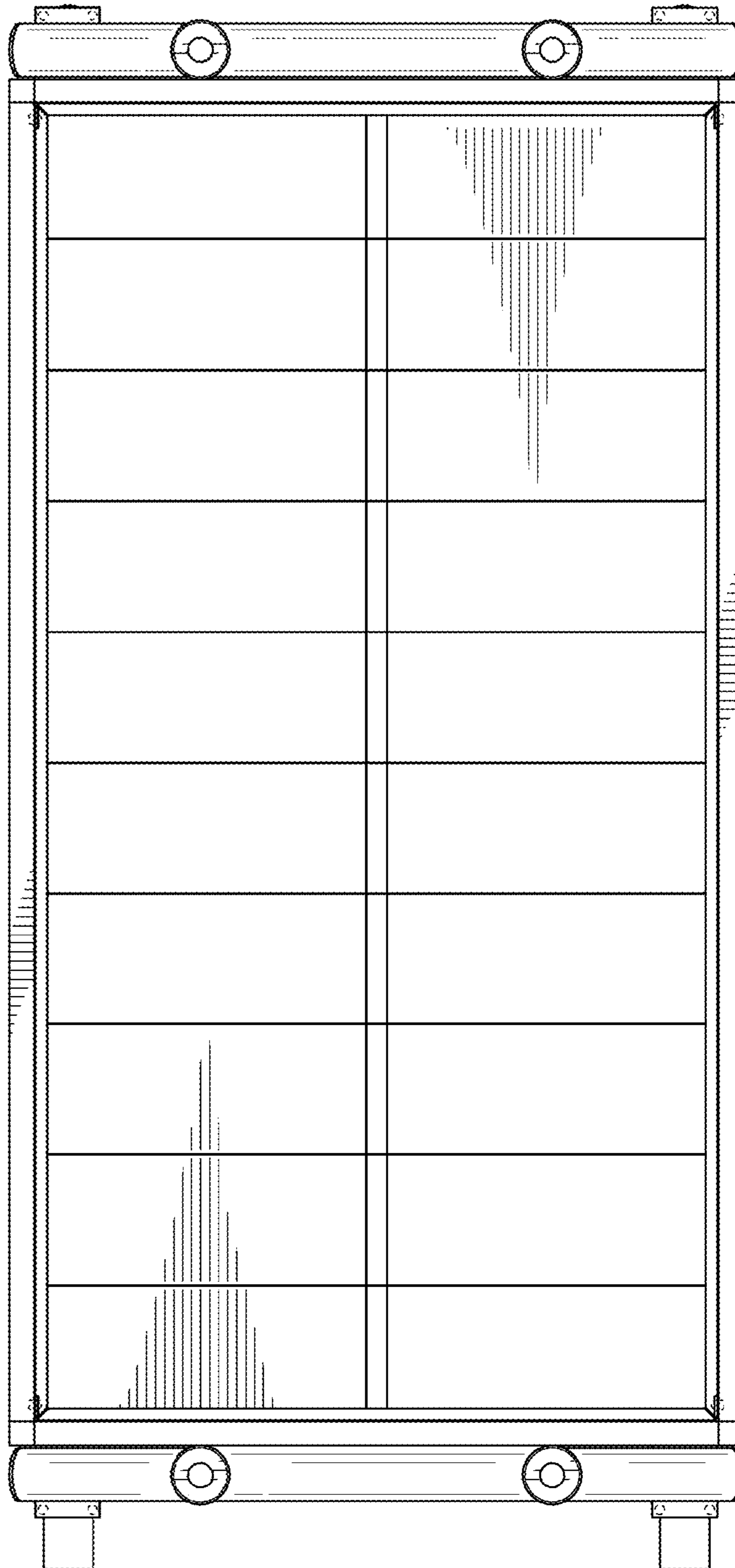


Fig. 5

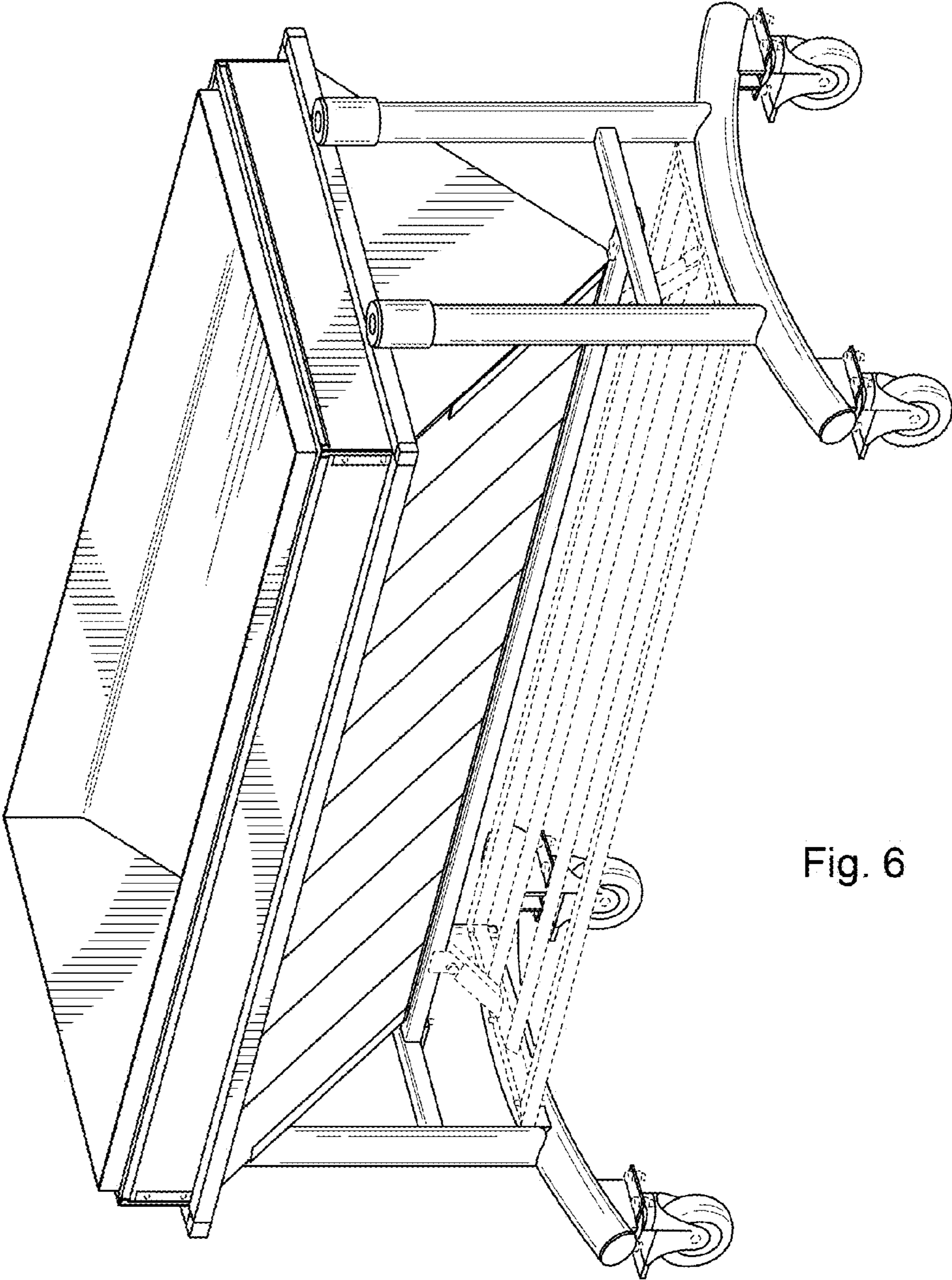


Fig. 6

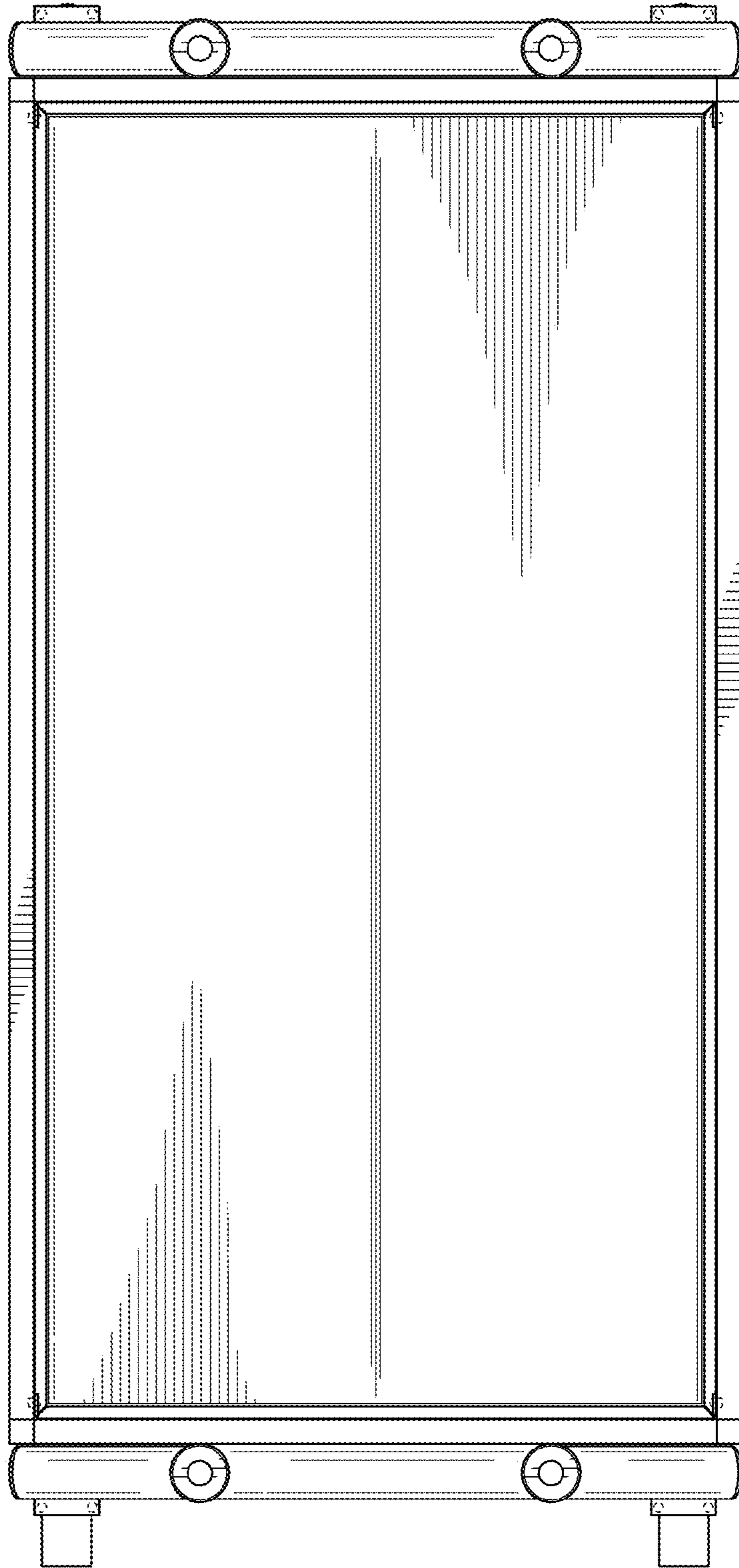


Fig. 7