



US00D706545S

(12) **United States Design Patent**
Muller

(10) **Patent No.:** **US D706,545 S**
(45) **Date of Patent:** **** Jun. 10, 2014**

(54) **STOOL**

(71) Applicant: **Elite Manufacturing Corporation,**
Santa Fe Springs, CA (US)

(72) Inventor: **Carl Muller,** Huntington Beach, CA
(US)

(73) Assignee: **Elite Manufacturing Corporation,**
Santa Fe Springs, CA (US)

(**) Term: **14 Years**

(21) Appl. No.: **29/478,932**

(22) Filed: **Jan. 9, 2014**

Related U.S. Application Data

(63) Continuation-in-part of application No. 29/452,703,
filed on Apr. 19, 2013, now Pat. No. Des. 699,962.

(51) **LOC (10) Cl.** **06-01**

(52) **U.S. Cl.**
USPC **D6/360**

(58) **Field of Classification Search**
USPC D6/334-336, 349, 360, 370, 371, 372,
D6/373, 374, 375, 379, 380, 716, 716.1,
D6/716.2, 716.3, 716.4; 297/423.1,
297/423.18, 445.1, 446.1, 451.1, 452.38,
297/452.48, 461

See application file for complete search history.

(56) **References Cited**

U.S. PATENT DOCUMENTS

D357,592 S * 4/1995 Kellen D6/360
D368,379 S * 4/1996 Muller D6/360

D400,721 S * 11/1998 Baeriswyl et al. D6/360
D420,821 S * 2/2000 Barile et al. D6/360
D617,567 S * 6/2010 Stiker Metral D6/360
D637,426 S * 5/2011 Muller D6/716
D651,007 S * 12/2011 Ciani et al. D6/360
D654,279 S * 2/2012 Barile D6/360
D665,183 S * 8/2012 Welsh D6/360
D674,209 S * 1/2013 Muller D6/380

* cited by examiner

Primary Examiner — Mimoso De

(74) *Attorney, Agent, or Firm* — Stetina Brunda Garred &
Brucker

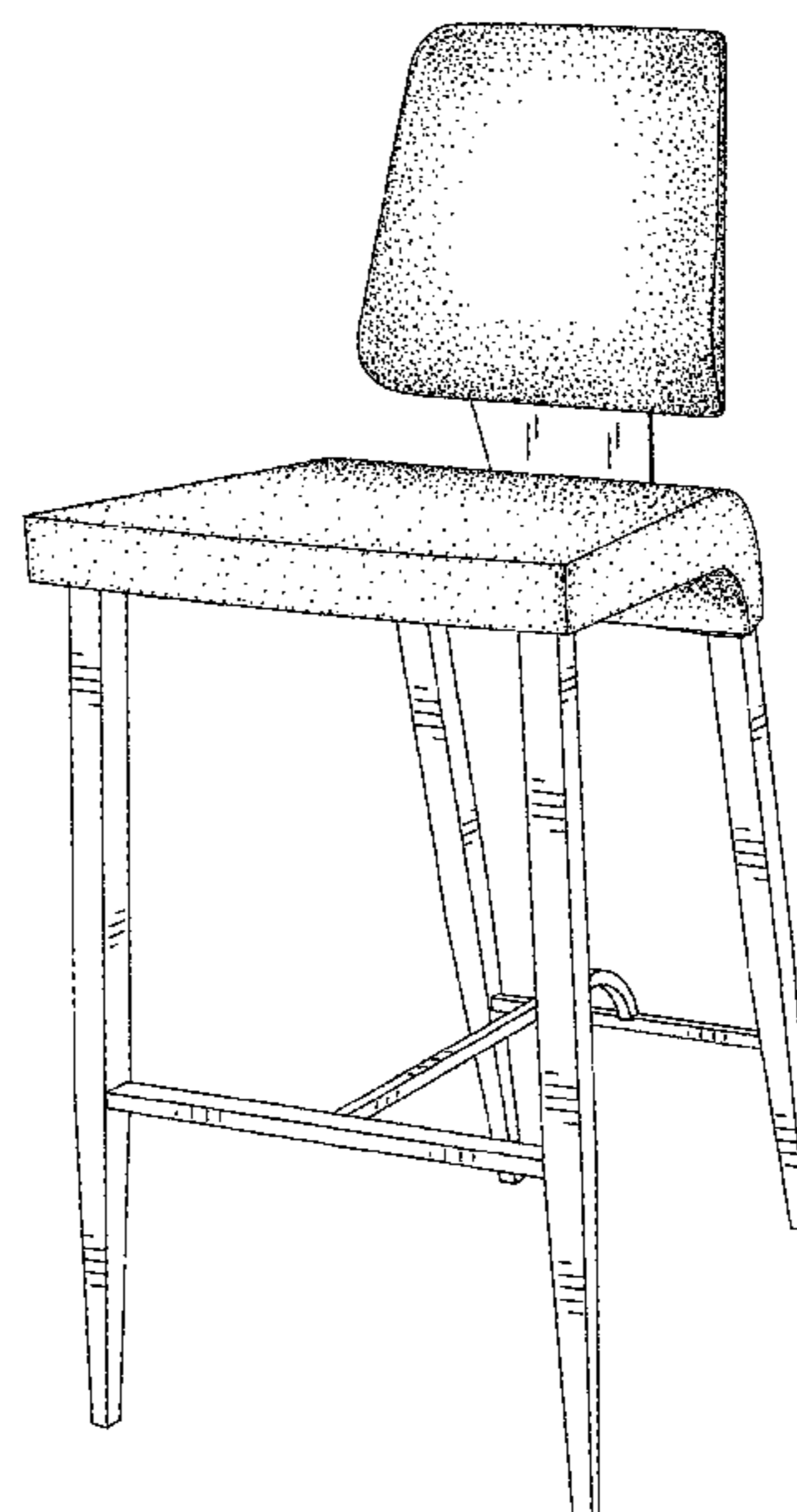
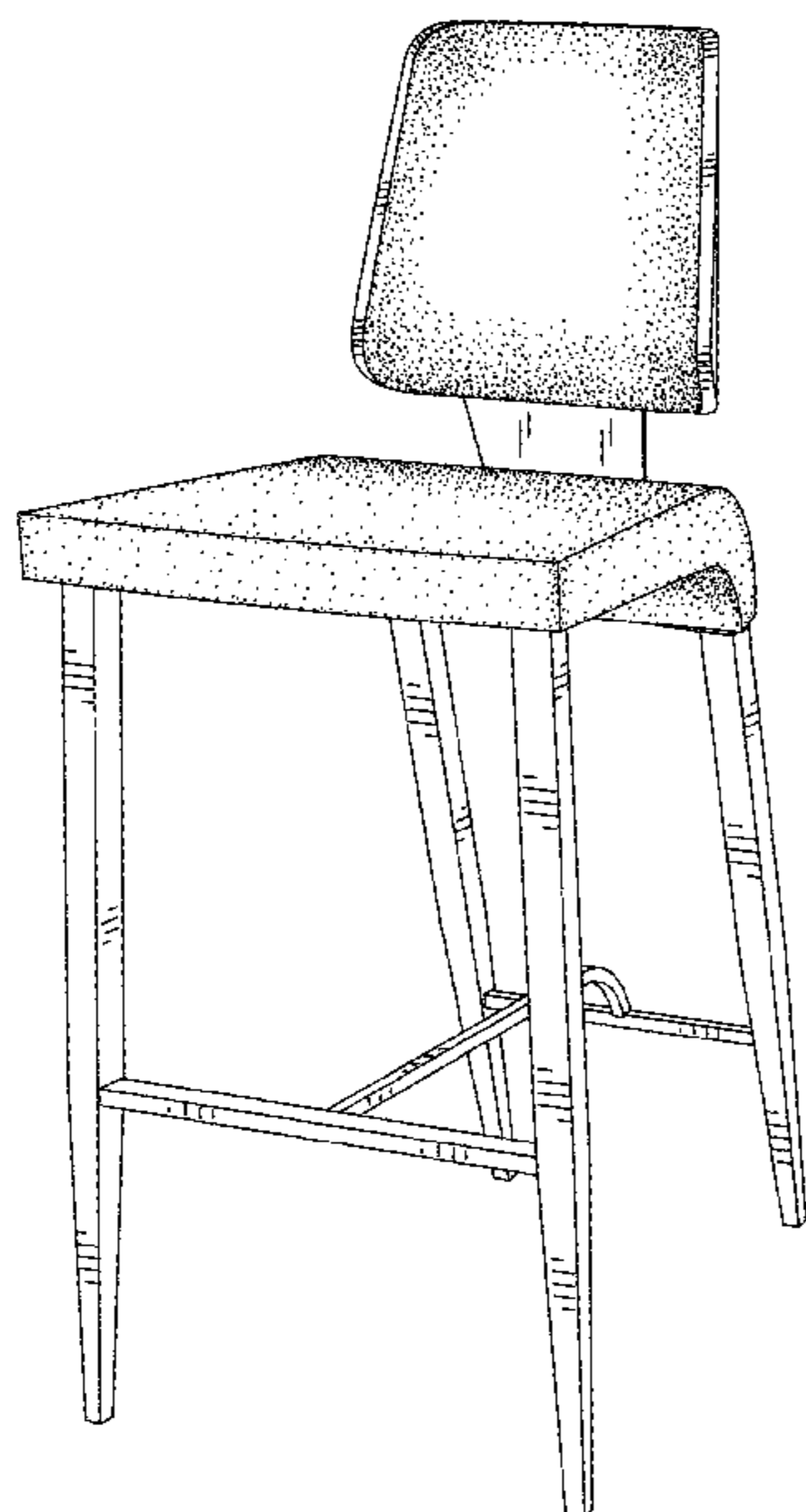
(57) **CLAIM**

The ornamental design for a stool, as shown and described.

DESCRIPTION

FIG. 1 is a front perspective view of the stool of the present invention showing my new design;
FIG. 2 is a top plan view thereof;
FIG. 3 is a front elevational view thereof;
FIG. 4 is a left side view thereof;
FIG. 5 is a bottom plan view thereof;
FIG. 6 is a rear elevational view thereof;
FIG. 7 is a left side elevational view thereof;
FIG. 8 is a front perspective view of a second embodiment of the stool of the present invention showing my new design;
FIG. 9 is a top plan view thereof;
FIG. 10 is a front elevational view thereof;
FIG. 11 is a left side view thereof;
FIG. 12 is a bottom plan view thereof;
FIG. 13 is a rear elevational view thereof; and,
FIG. 14 is a left side elevation view thereof.

1 Claim, 6 Drawing Sheets



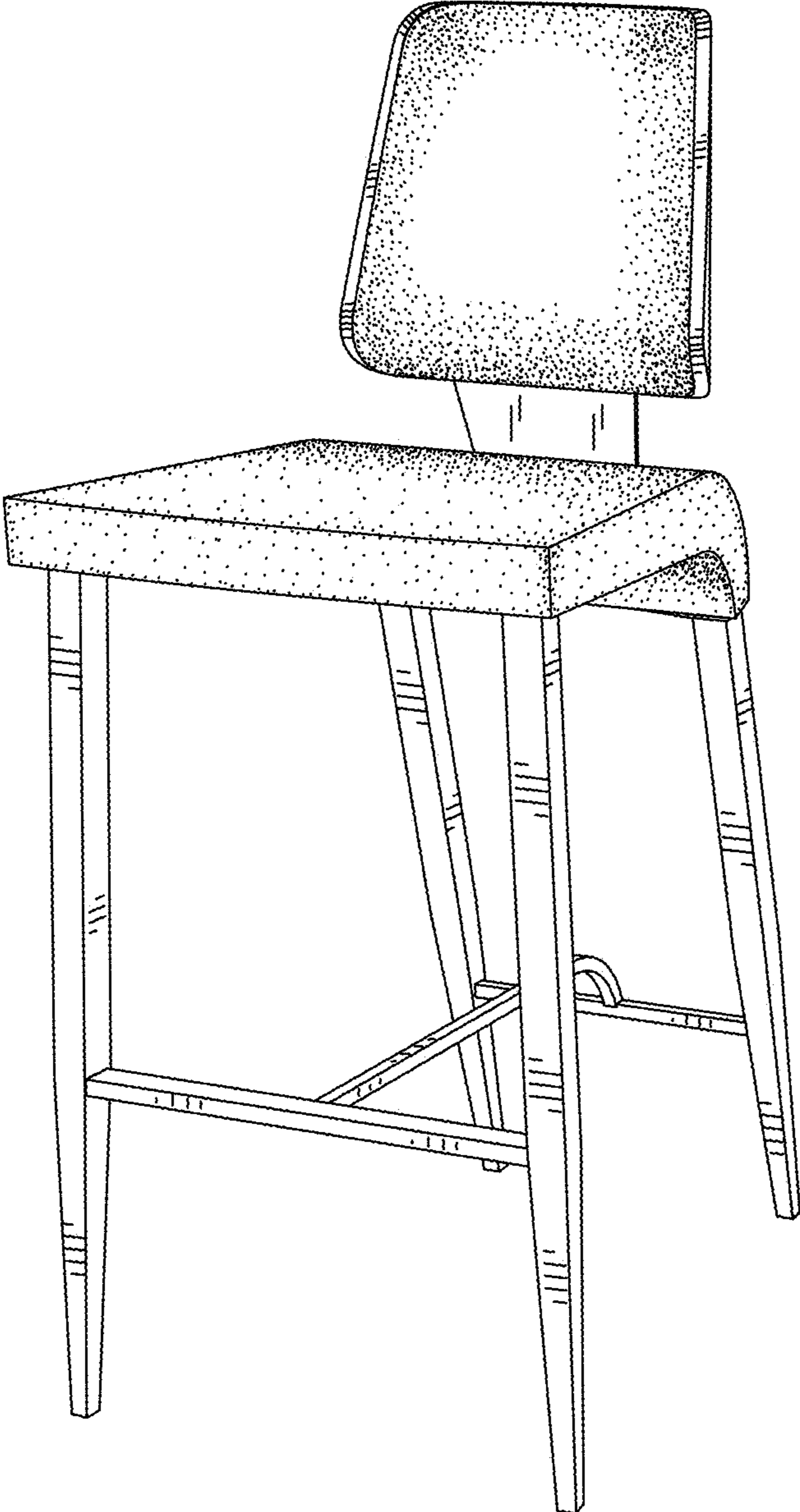


Fig. 1

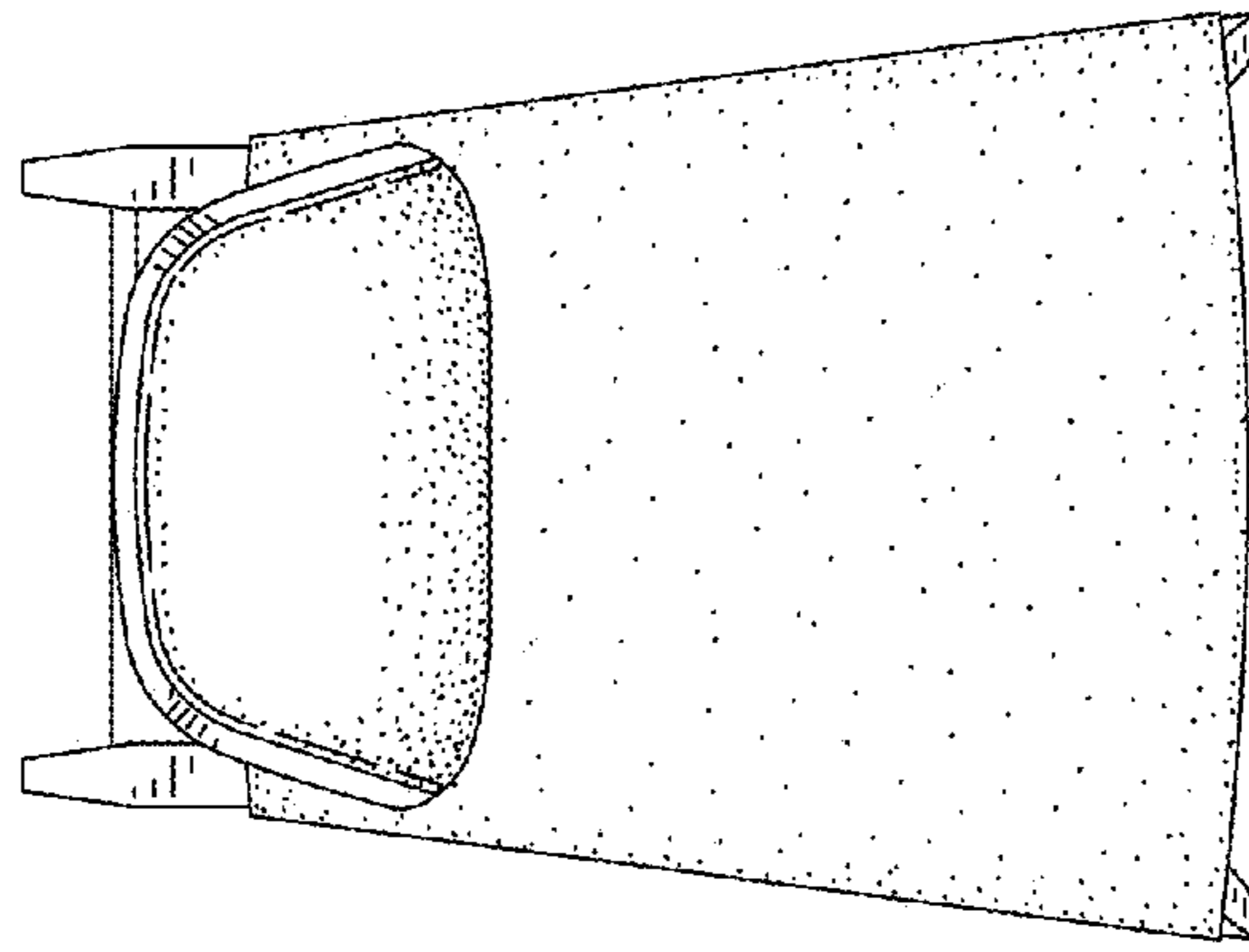


Fig. 2

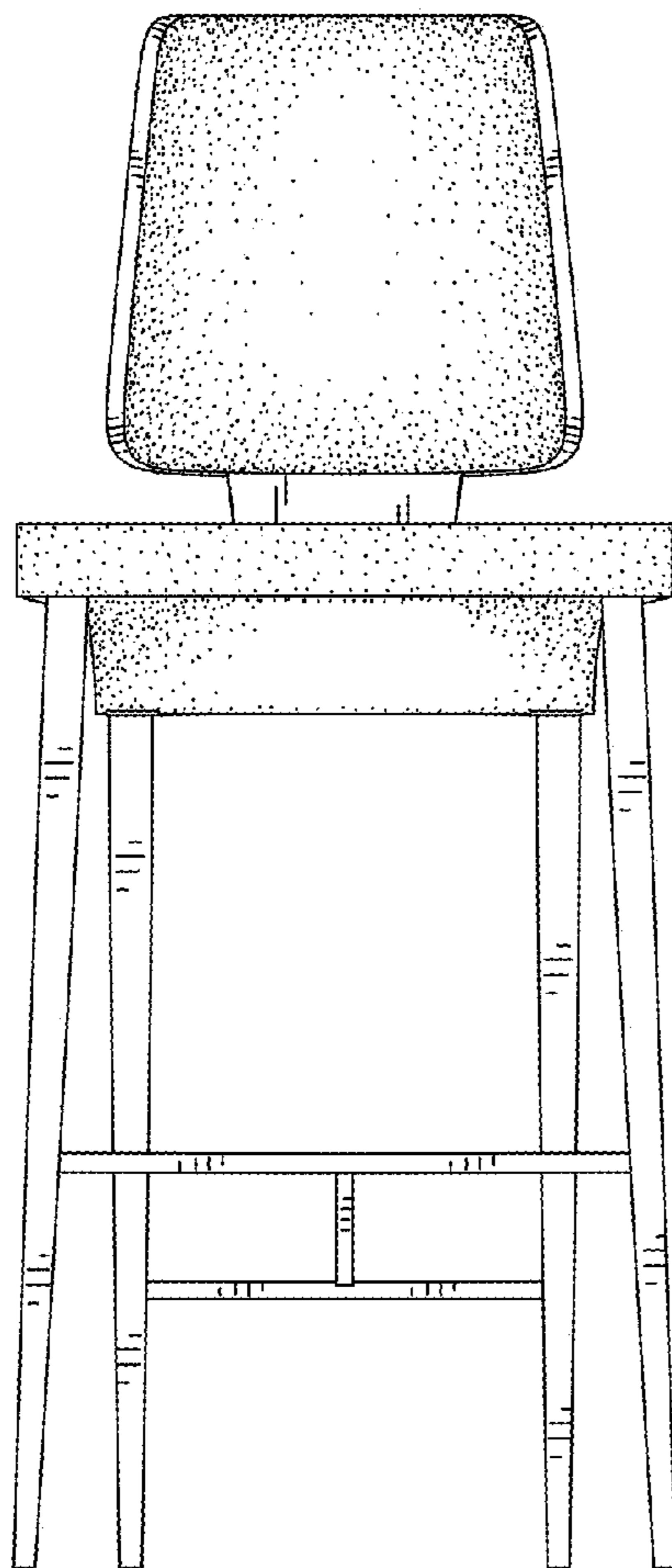


Fig. 3

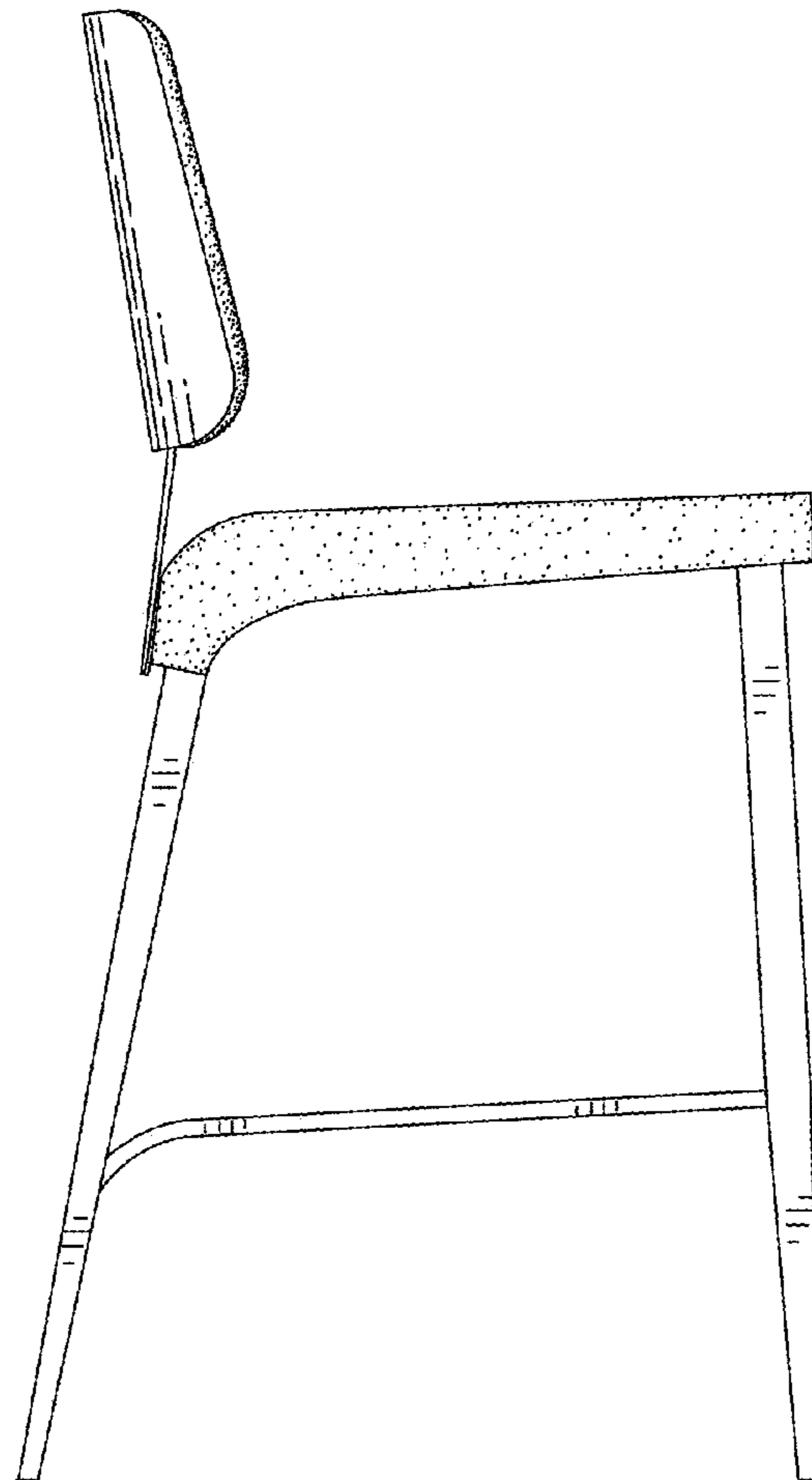


Fig. 4

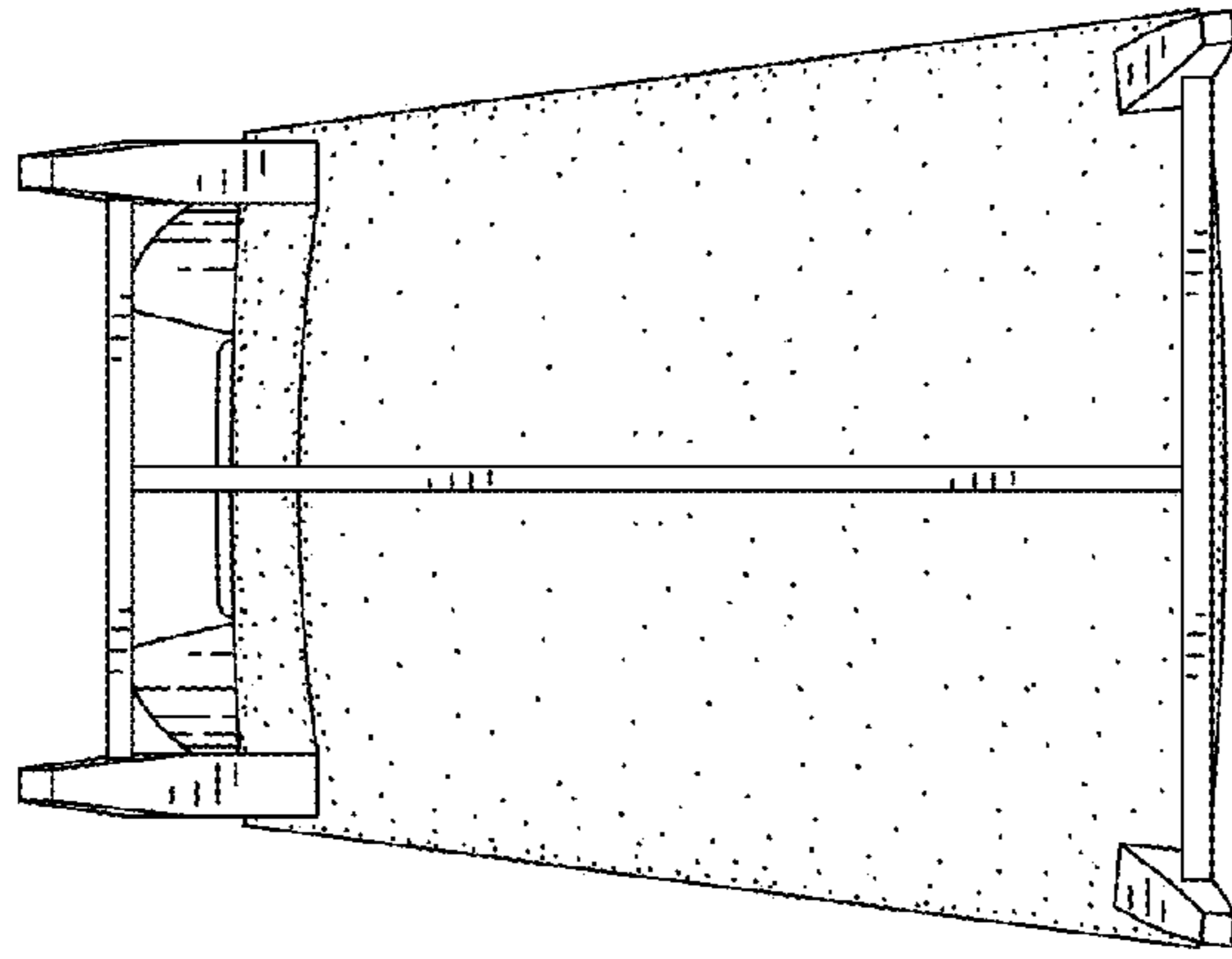


Fig. 5

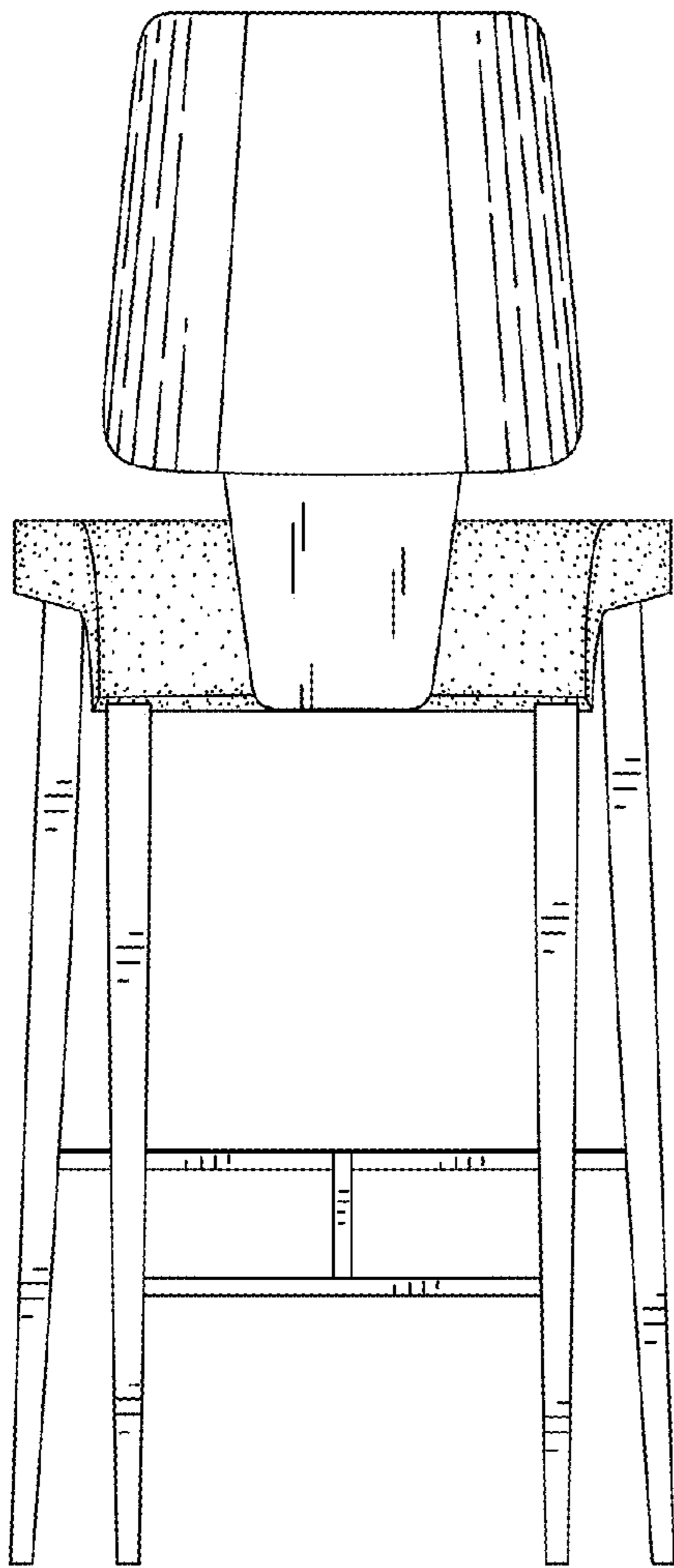


Fig. 6

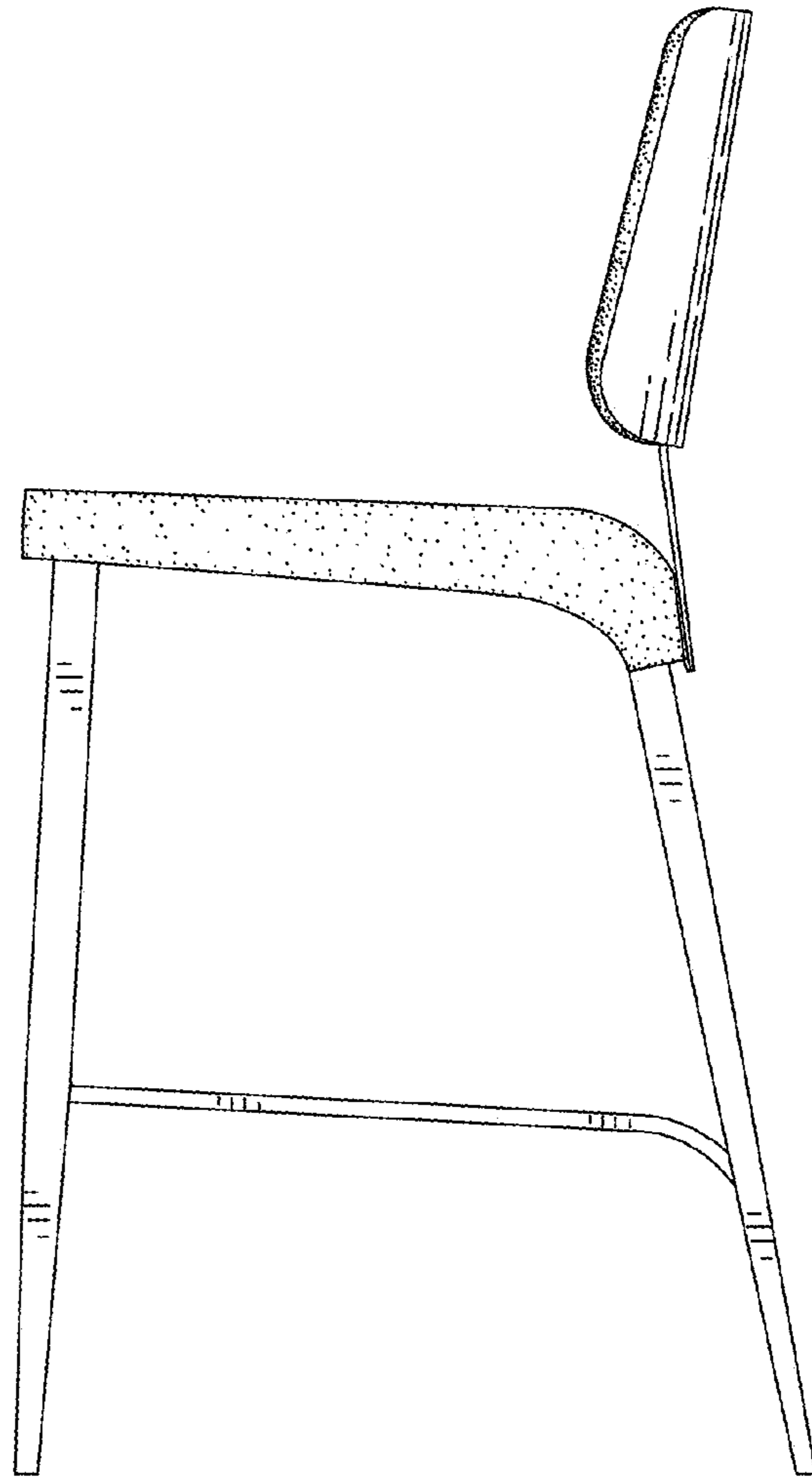


Fig. 7

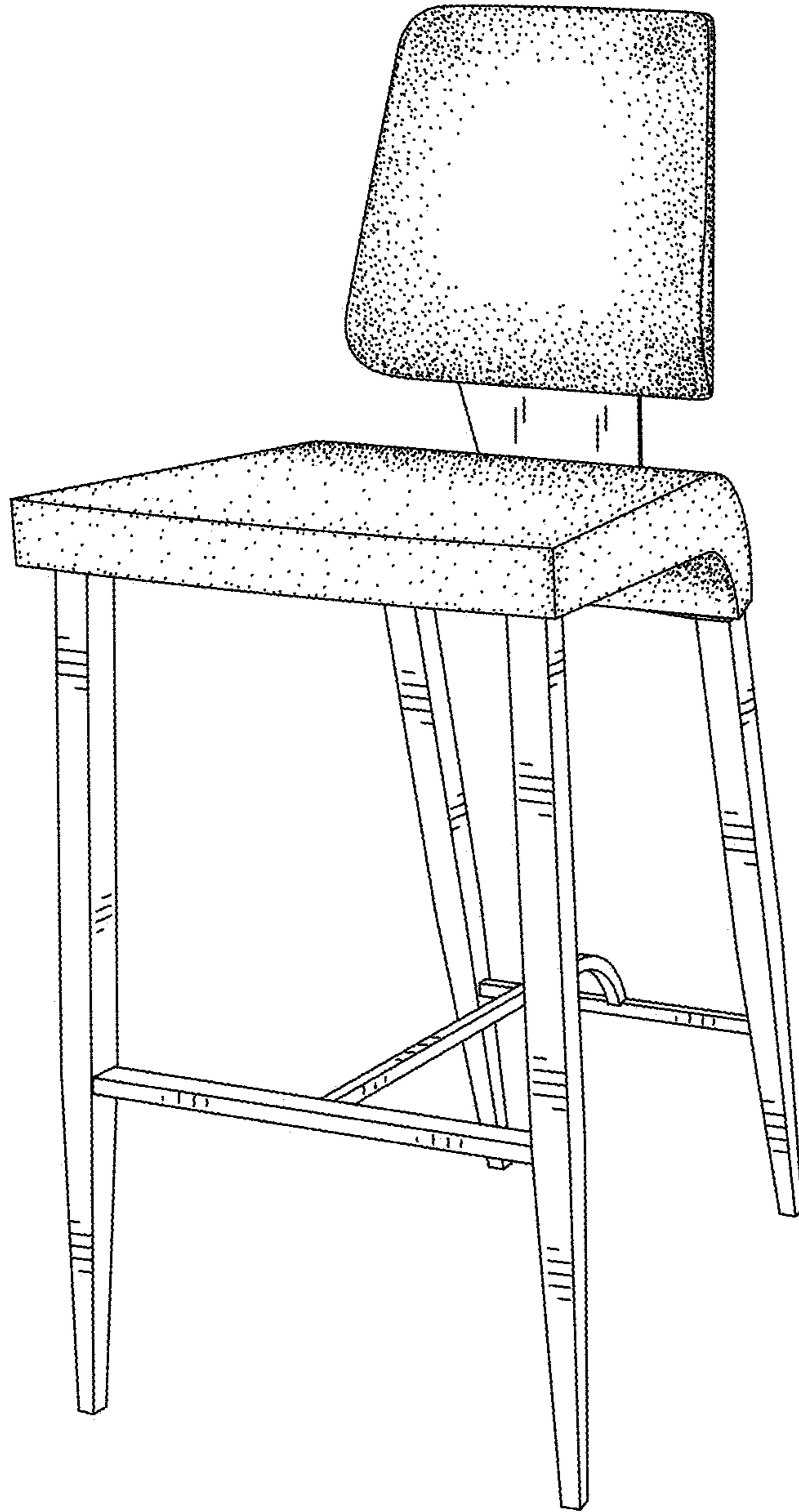


Fig. 8

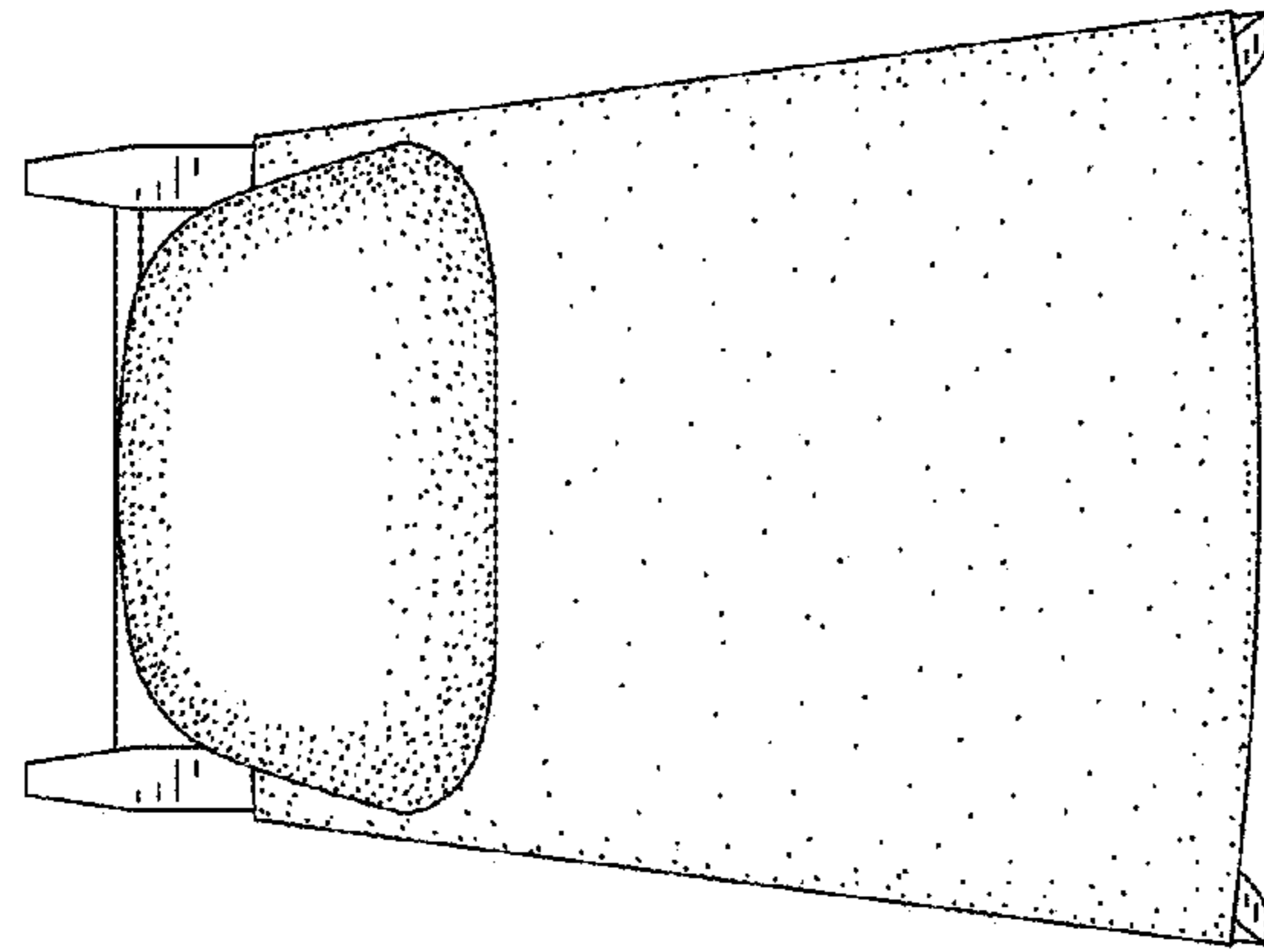


Fig. 9

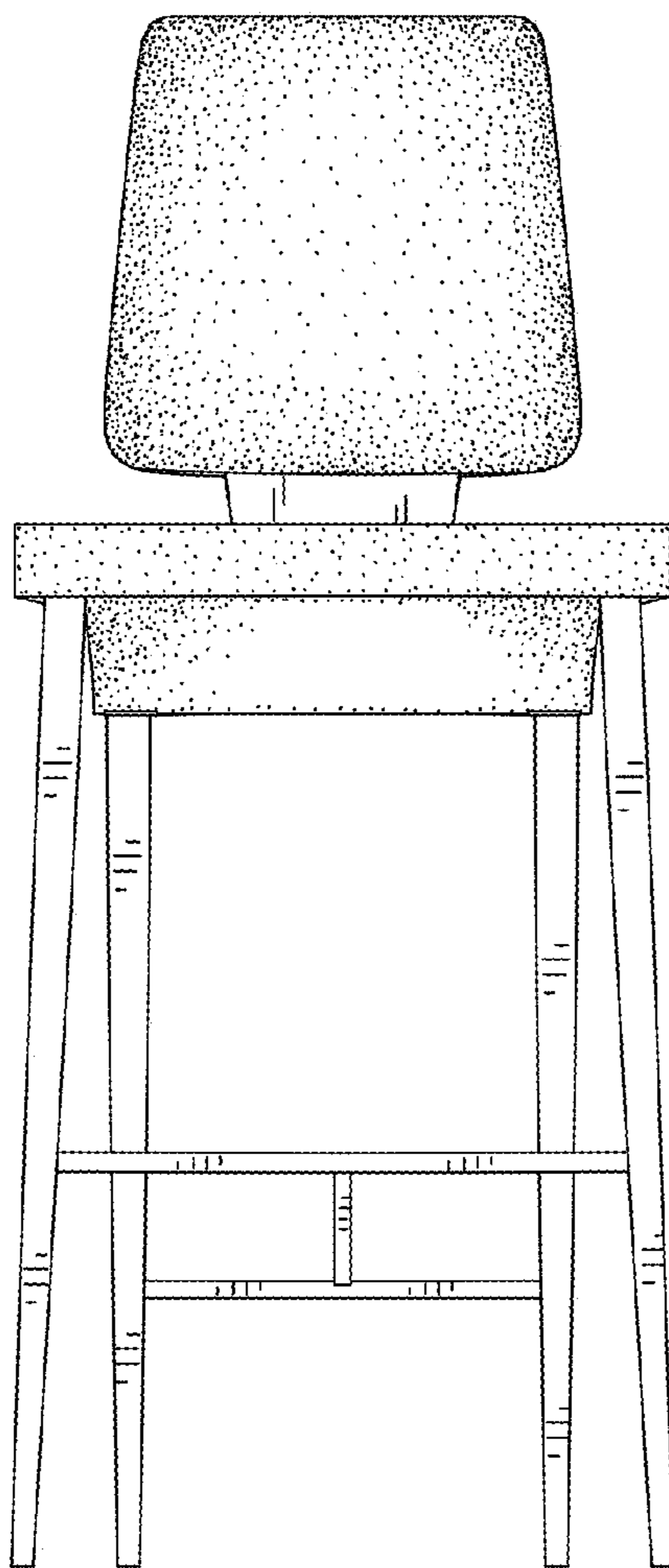


Fig. 10

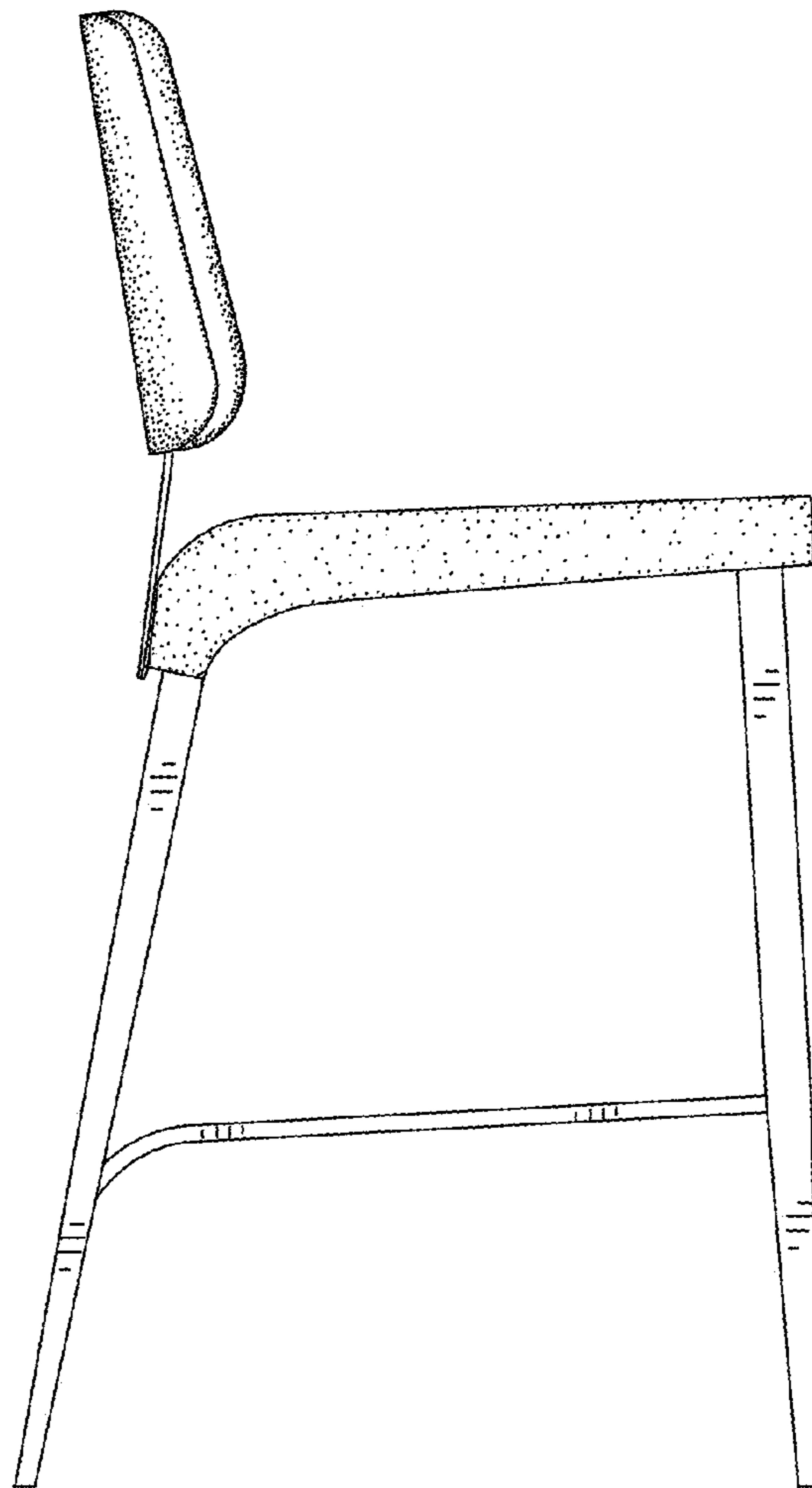


Fig. 11

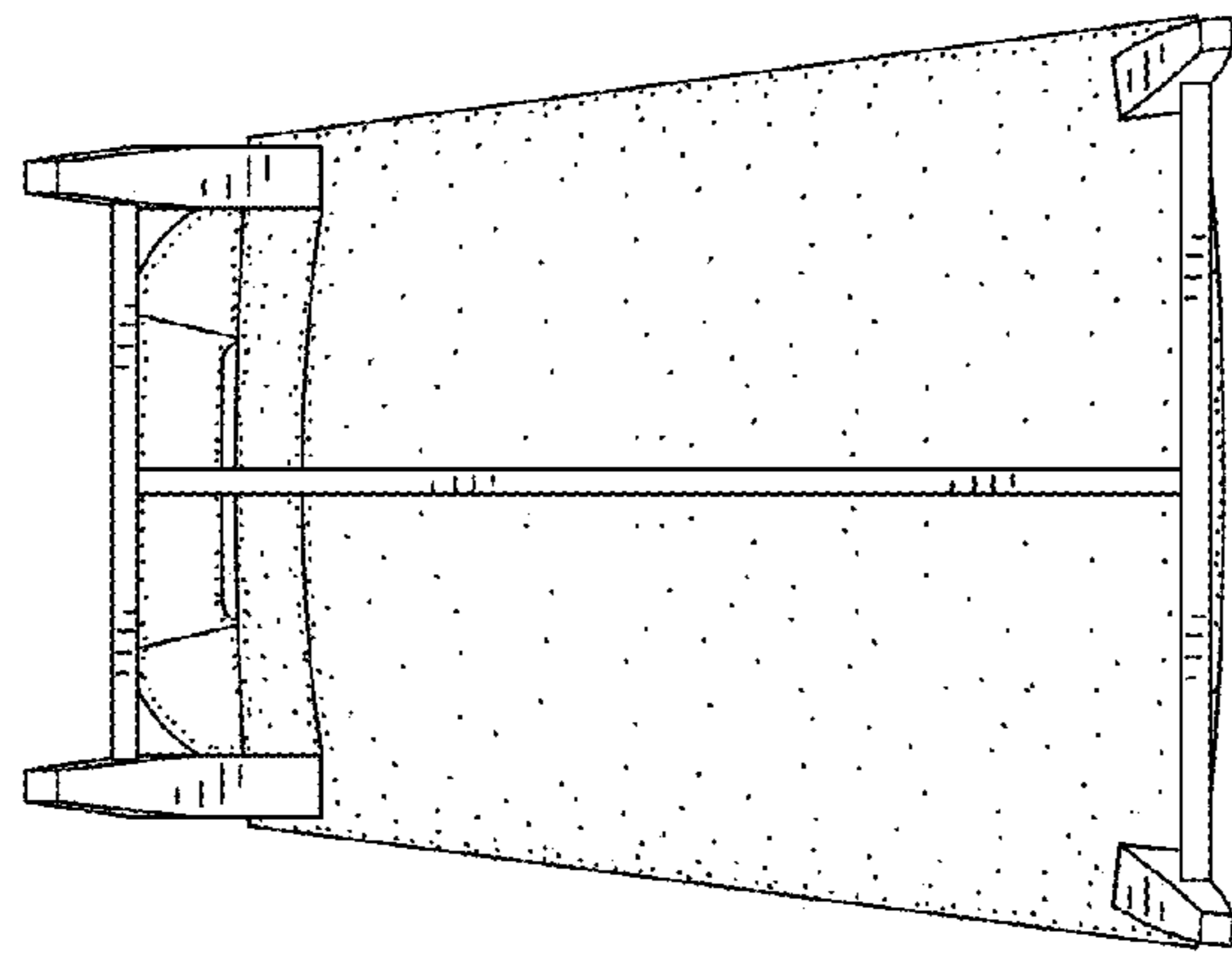


Fig. 12

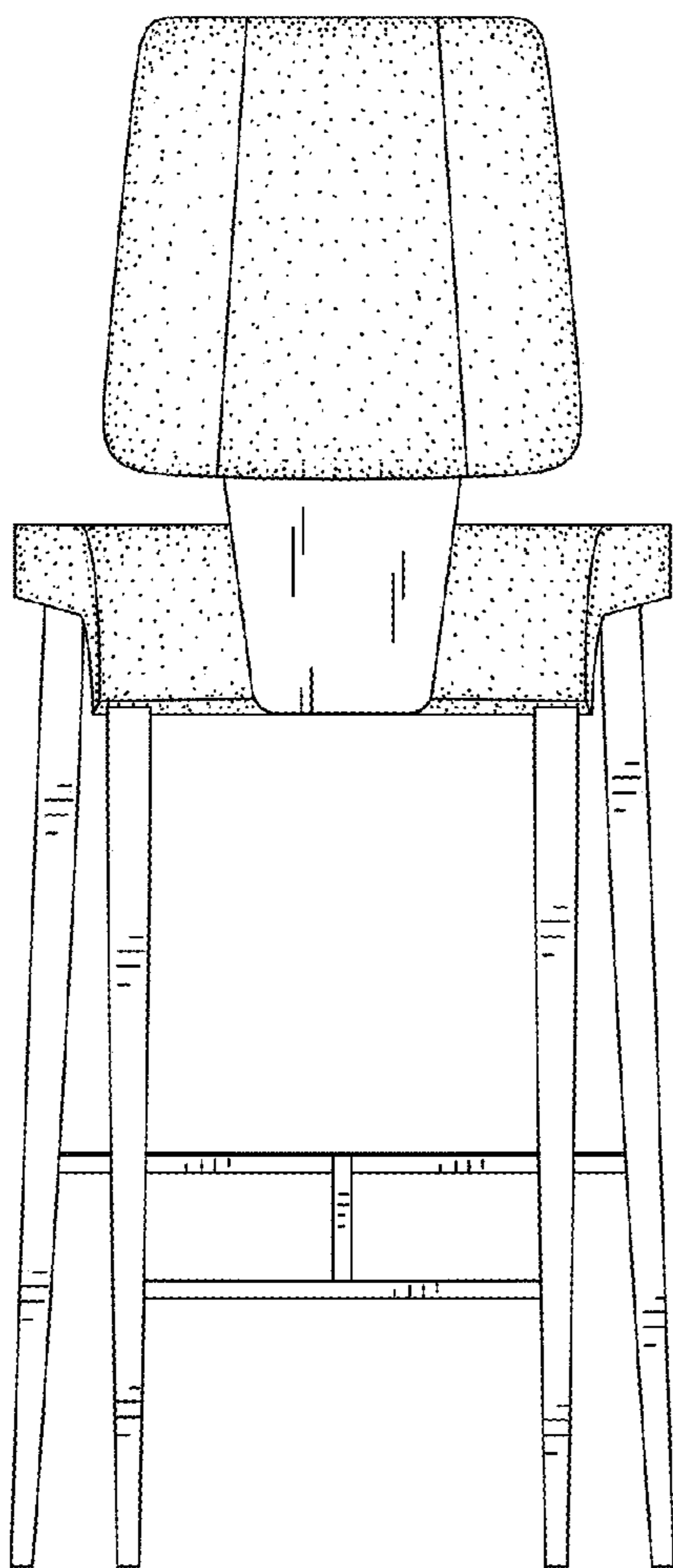


Fig. 13

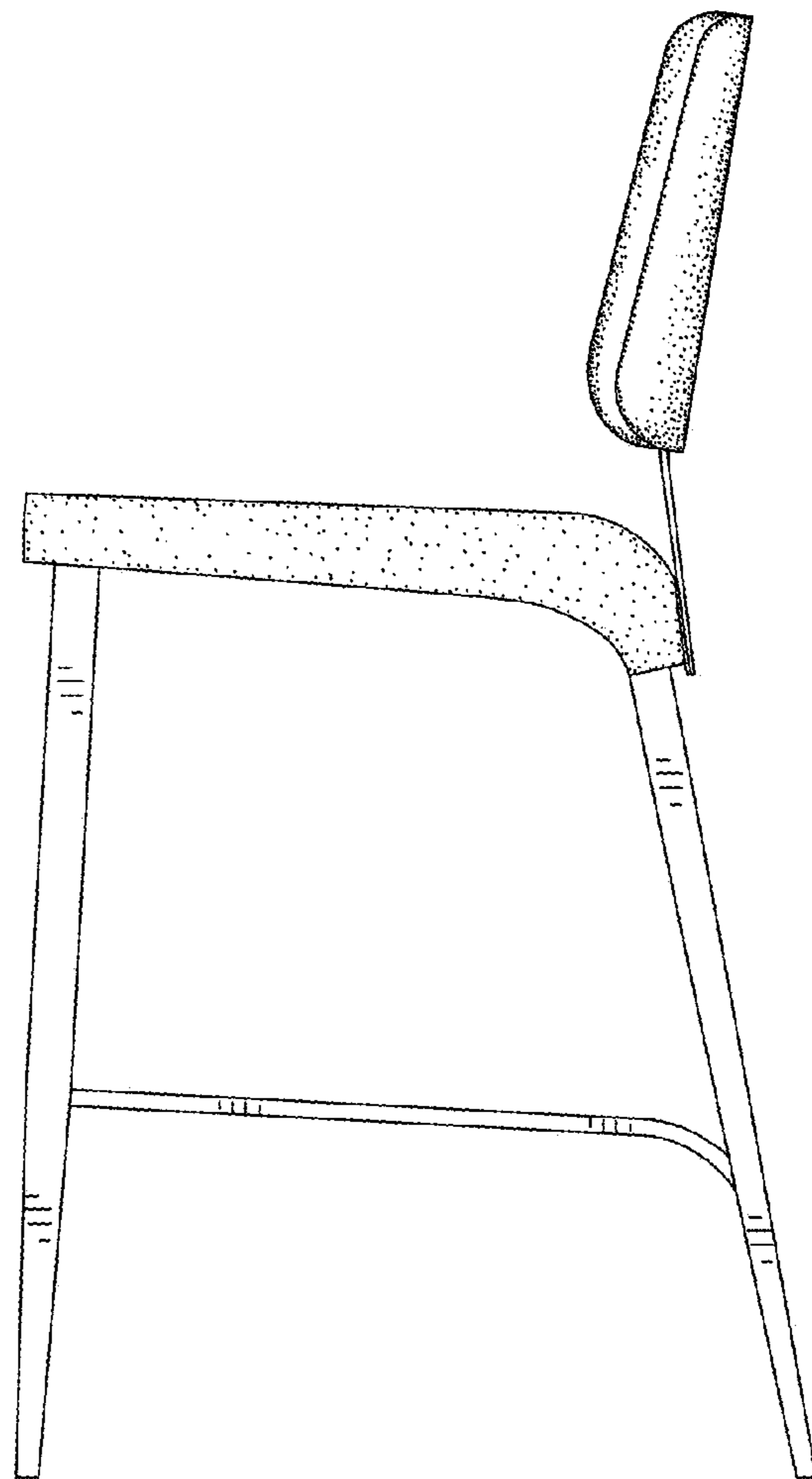


Fig. 14