



US00D706539S

(12) **United States Design Patent**
Hondos

(10) **Patent No.:** **US D706,539 S**
(45) **Date of Patent:** **** Jun. 10, 2014**

(54) **ACCESSORY POUCH**

(71) Applicant: **Steven Gus Hondos**, Advance, NC (US)

(72) Inventor: **Steven Gus Hondos**, Advance, NC (US)

(73) Assignee: **Steven Gus Hondos**, Advance, NC (US)

(**) Term: **14 Years**

(21) Appl. No.: **29/460,716**

(22) Filed: **Jul. 13, 2013**

Related U.S. Application Data

(63) Continuation-in-part of application No. 29/439,054, filed on Dec. 6, 2012.

(51) **LOC (10) Cl.** **03-01**

(52) **U.S. Cl.**
USPC **D3/303**

(58) **Field of Classification Search**

USPC D3/10, 11, 35, 39, 40, 74, 99, 303;
D2/864; D12/422; 224/42.11, 260, 27,
224/402, 429, 430, 542, 543, 609, 646, 905,
224/925; 383/2, 4, 7, 8, 11, 15, 24, 25, 38,
383/39, 75, 76, 121.1, 907

See application file for complete search history.

(56) **References Cited**

U.S. PATENT DOCUMENTS

607,130 A * 7/1898 Rapp 383/39
1,518,672 A * 12/1924 O'Connell 296/37.13
D140,519 S * 3/1945 Pascal D6/320
2,507,842 A * 5/1950 Waddill 224/560
D252,596 S * 8/1979 Adler et al. D3/319

(Continued)

Primary Examiner — Deanna L Pratt

Assistant Examiner — Ieisha Price

(57) **CLAIM**

The ornamental design for an accessory pouch, as shown and described.

DESCRIPTION

FIG. 1 shows a front perspective view of the first embodiment of the present invention.

FIG. 2 shows a front perspective view of the embodiment of FIG. 1.

FIG. 3 shows a back perspective view of the embodiment of FIG. 1.

FIG. 4 shows a front view of the embodiment of FIG. 1.

FIG. 5 shows a side profile view of the embodiment of FIG. 1.

FIG. 6 shows a back perspective view of the embodiment of FIG. 1.

FIG. 7 shows a top view of the embodiment of FIG. 1.

FIG. 8 shows a bottom view of the embodiment of FIG. 1.

FIG. 9 shows a front perspective view of the second embodiment of the present invention.

FIG. 10 shows a front perspective view of the embodiment of FIG. 9.

FIG. 11 shows a back perspective view of the embodiment of FIG. 9.

FIG. 12 shows a front view of the embodiment of FIG. 9.

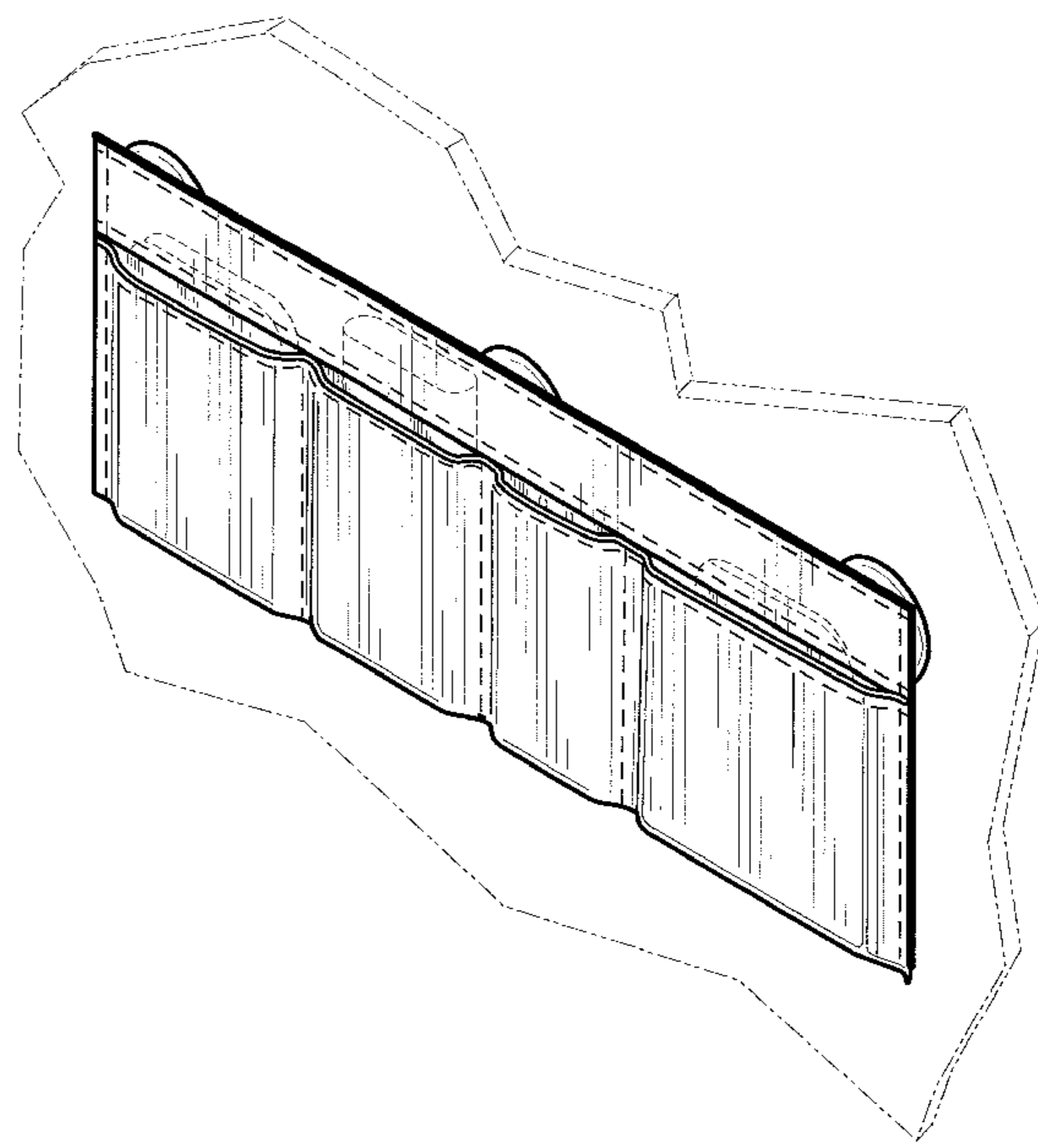
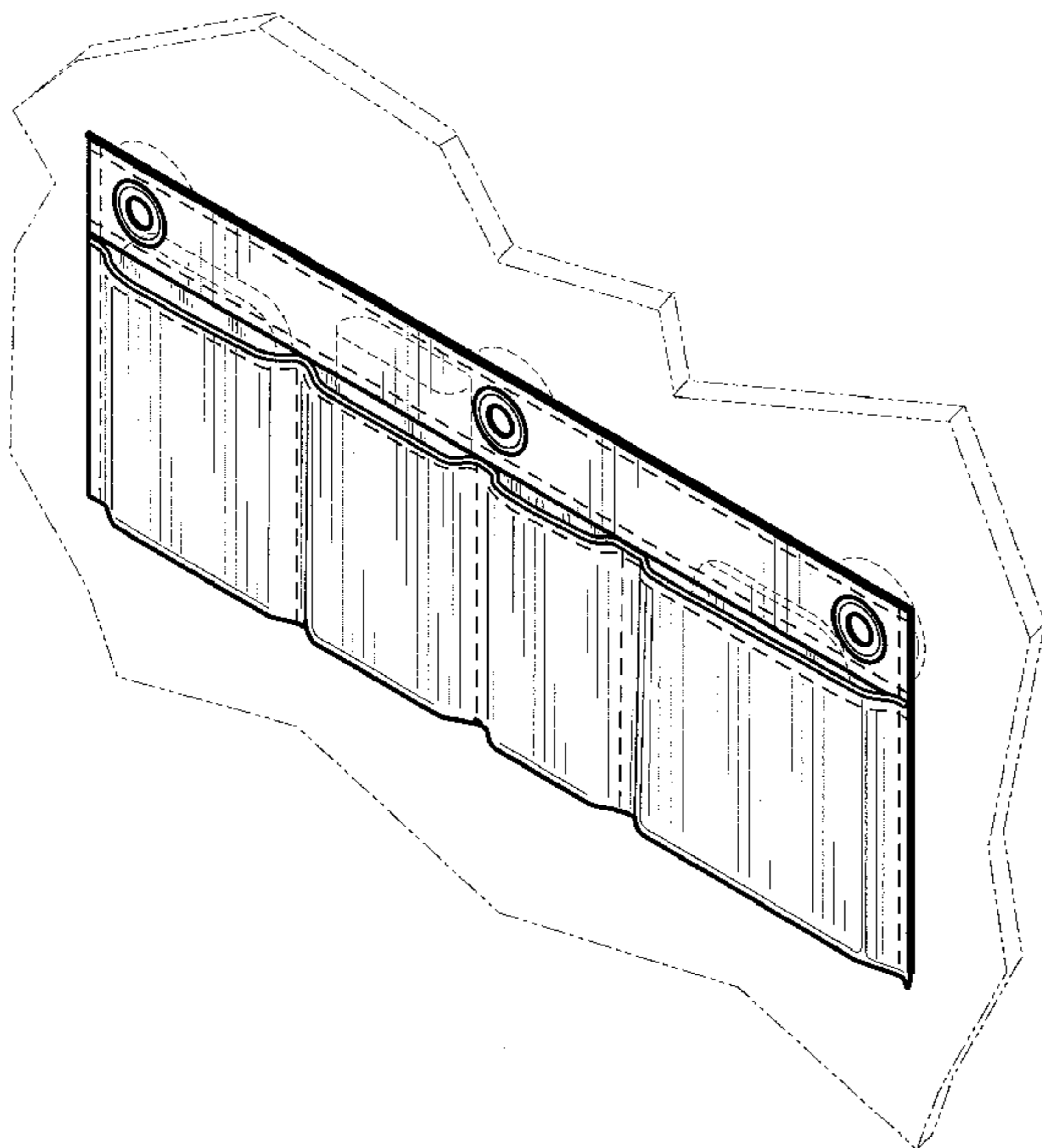
FIG. 13 shows a side profile view of the embodiment of FIG. 9.

FIG. 14 shows a top view of the embodiment of FIG. 9.

FIG. 15 shows a back view of the embodiment of FIG. 9; and, FIG. 16 shows a bottom view of the embodiment of FIG. 9.

The broken lines around the perimeter of the sections of the accessory pouch in all views illustrate claimed stitching. All other broken lines in FIGS. 1 and 9 illustrate the environment of the claimed design and form no part thereof.

1 Claim, 10 Drawing Sheets



(56)

References Cited

U.S. PATENT DOCUMENTS

D313,695 S * 1/1991 Mawhinney et al. D12/422
D354,728 S * 1/1995 Shink D12/422
D383,112 S * 9/1997 Patterson D12/422

D420,510 S * 2/2000 Rotan D3/303
D552,533 S * 10/2007 Cord et al. D12/422
8,291,814 B2 * 10/2012 Weigelt 99/444
2009/0014267 A1 * 1/2009 Day 190/110
2013/0248310 A1 * 9/2013 Taylor-Phillips 190/111

* cited by examiner

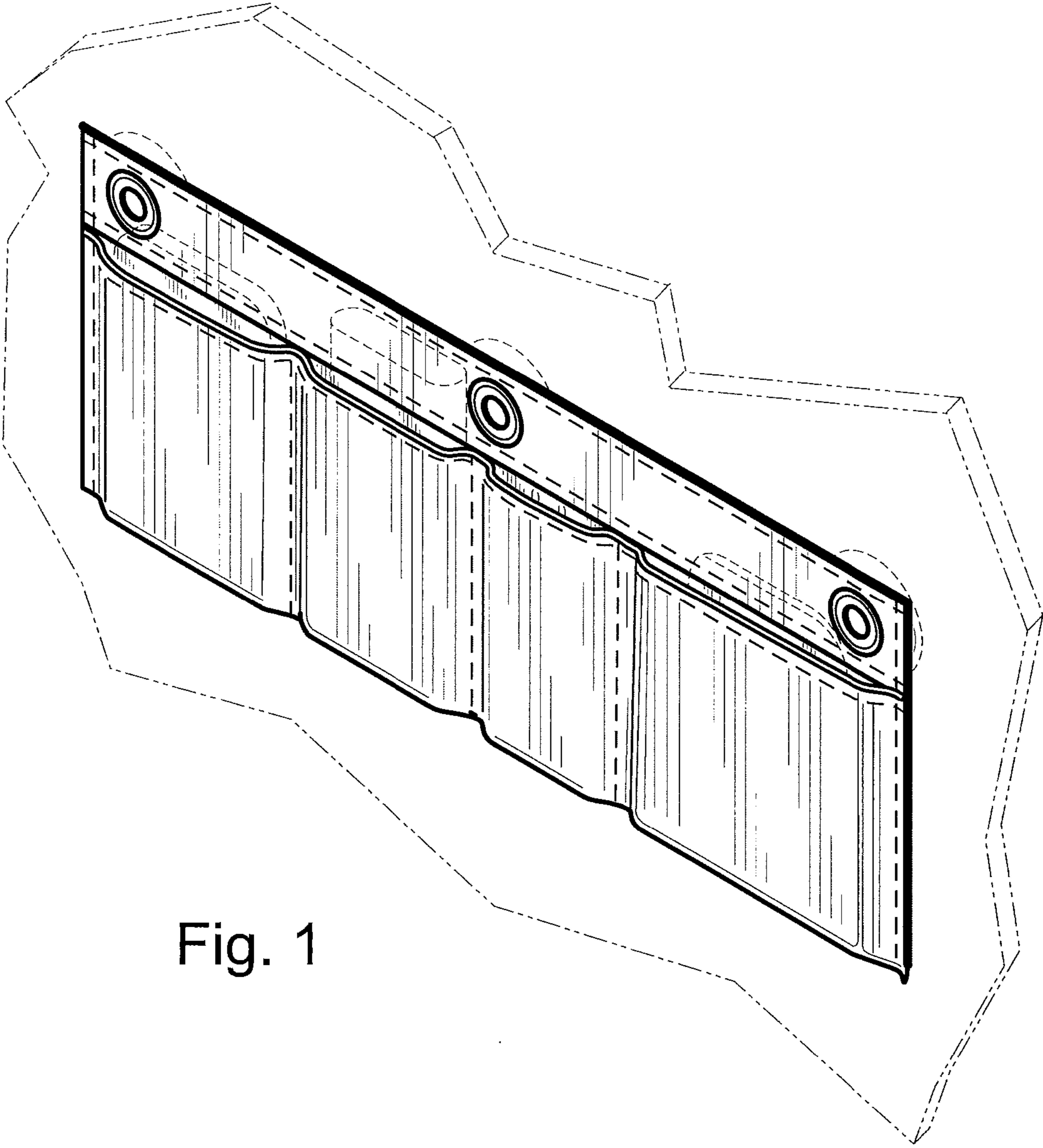


Fig. 1

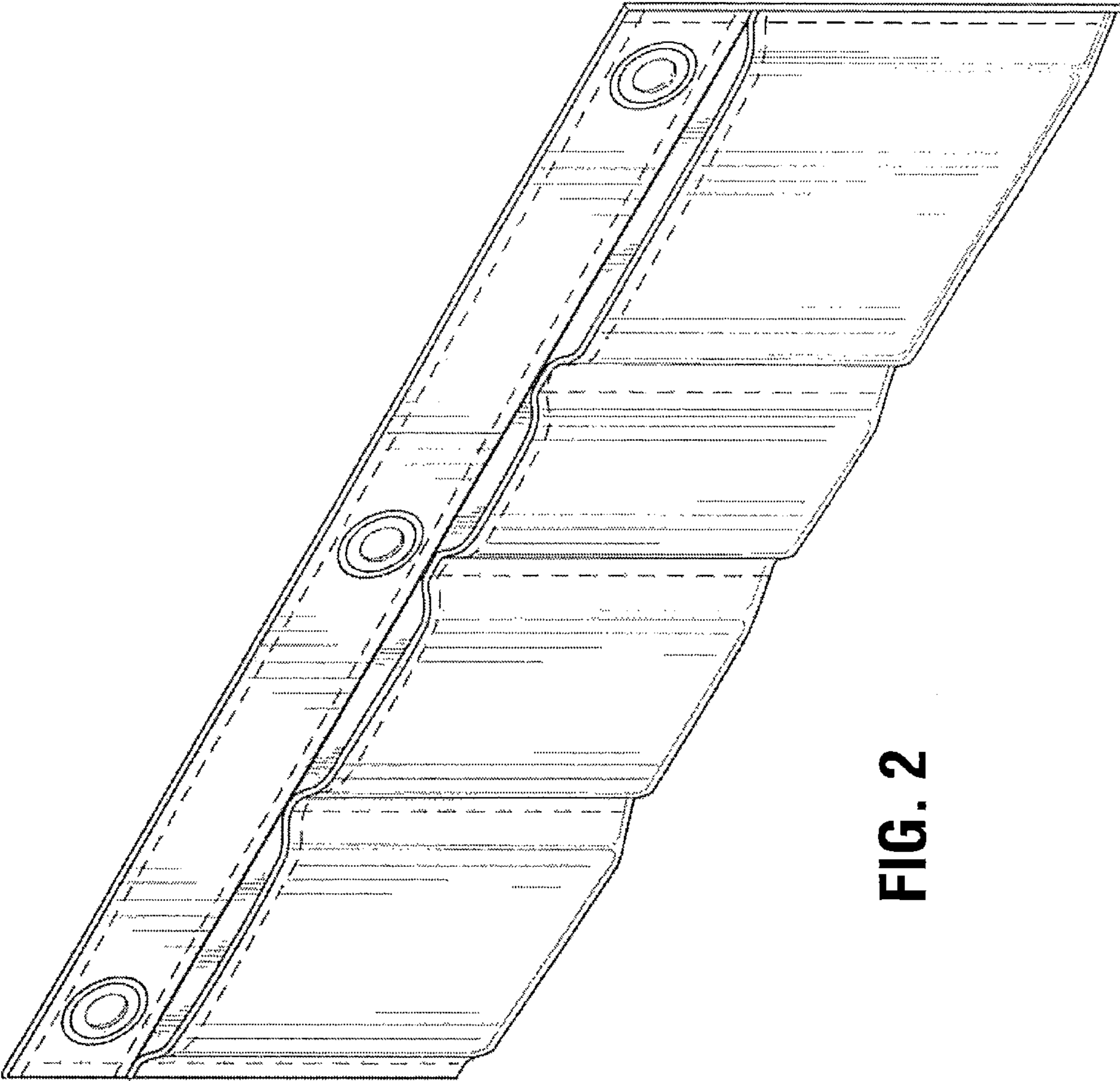


FIG. 2

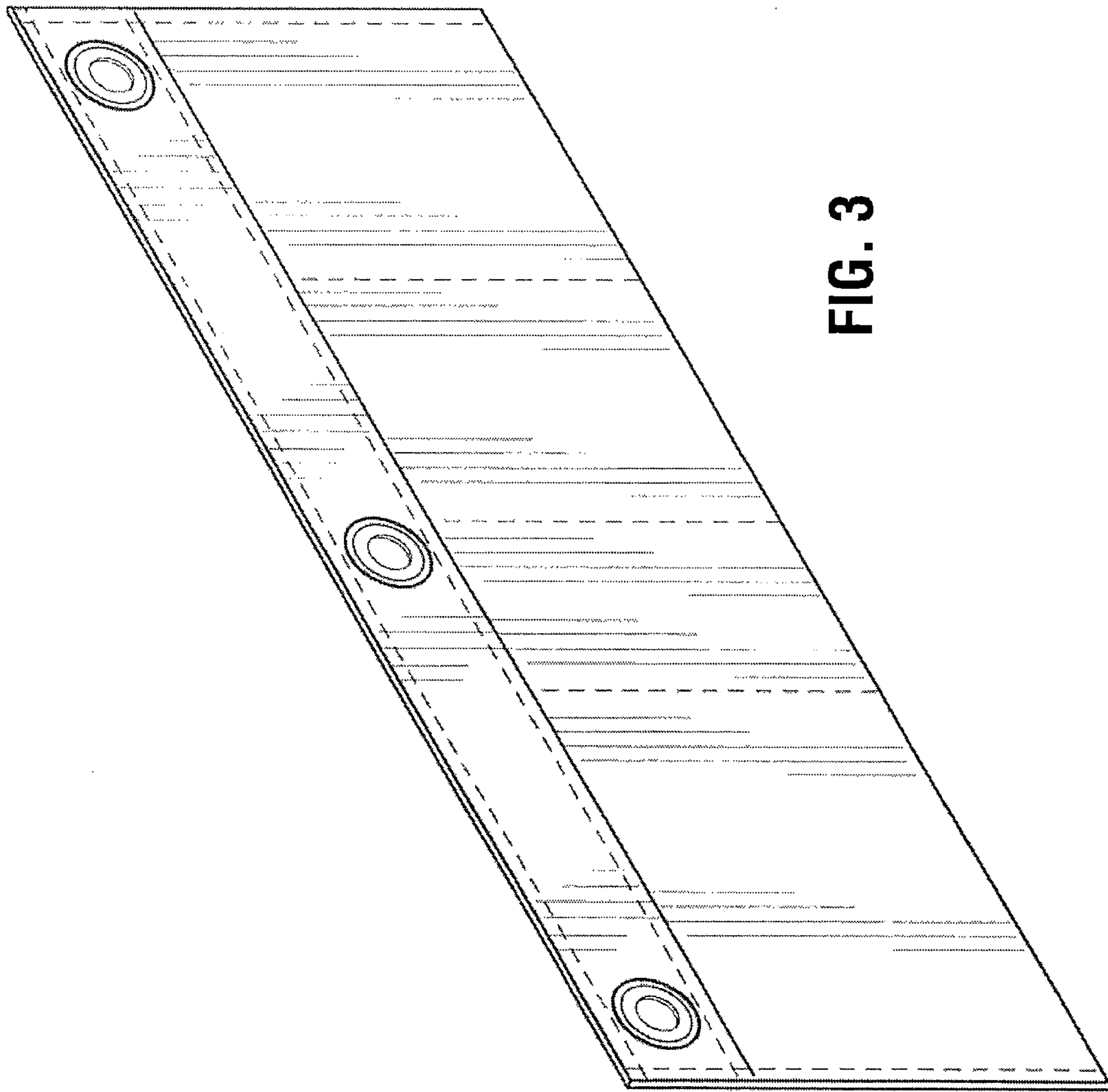


FIG. 3

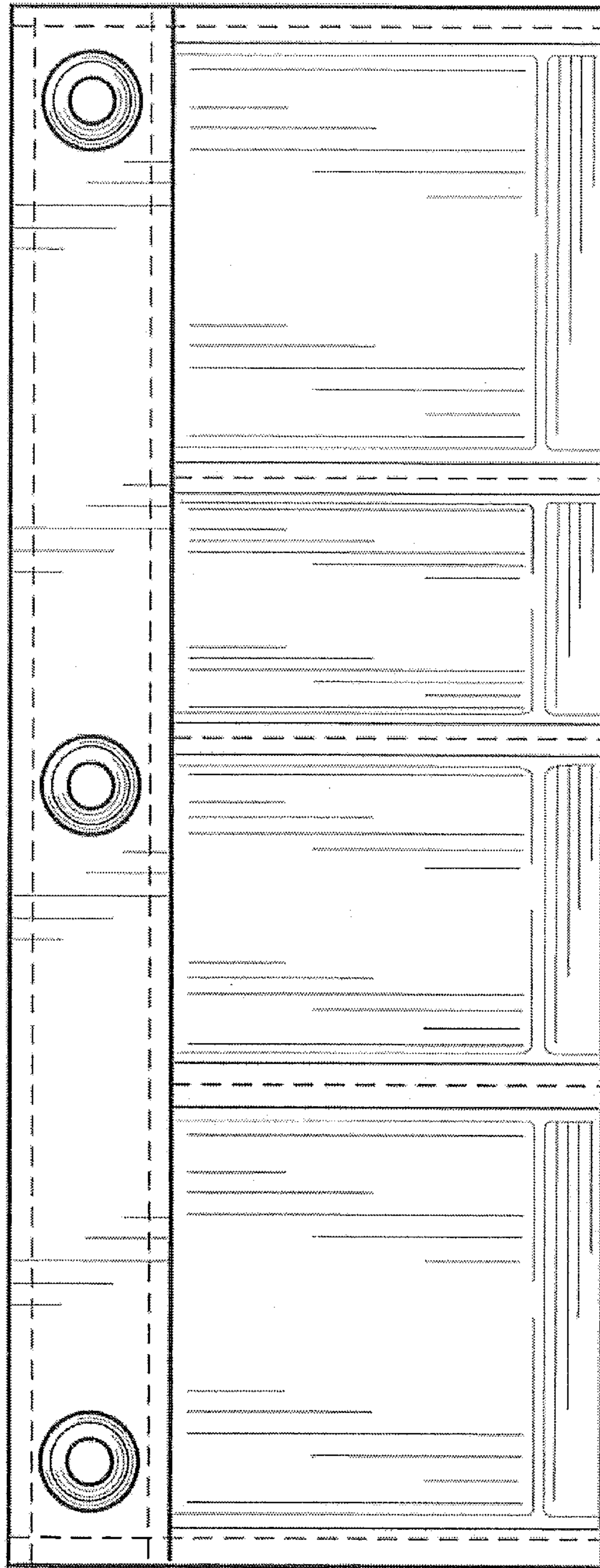


FIG. 4

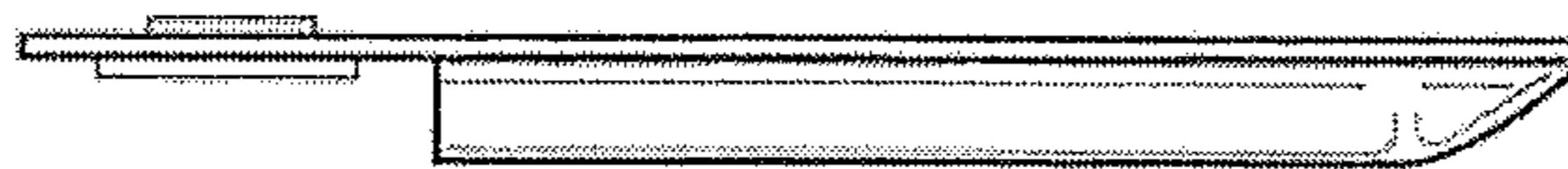


FIG. 5



FIG. 7

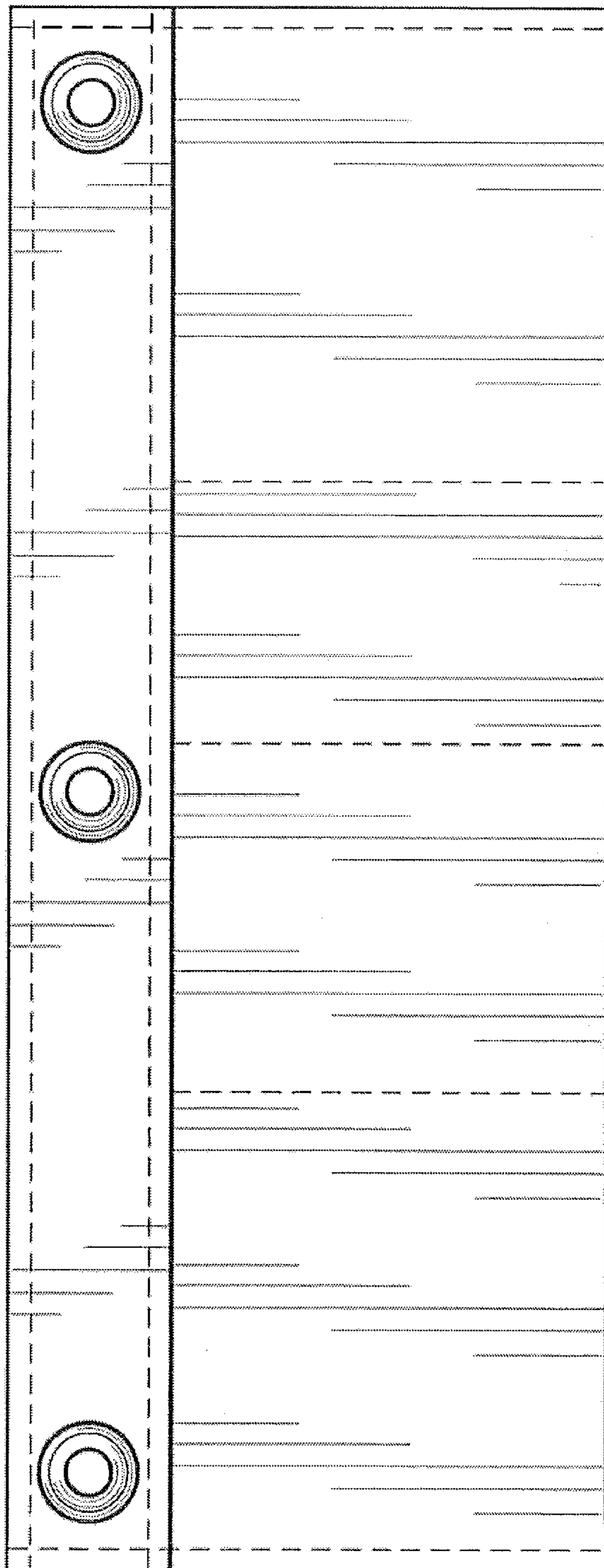


FIG. 6



FIG. 8

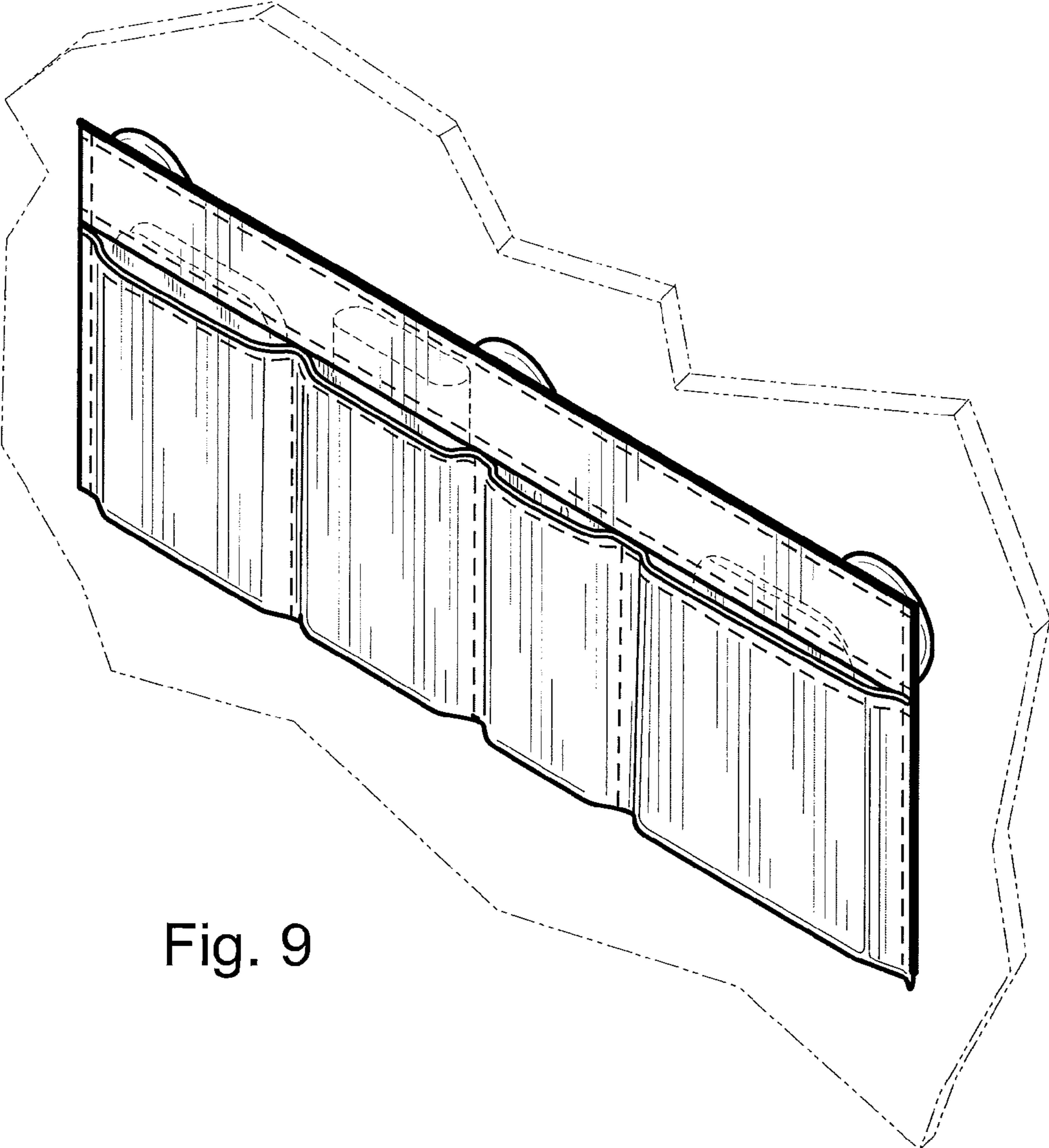


Fig. 9

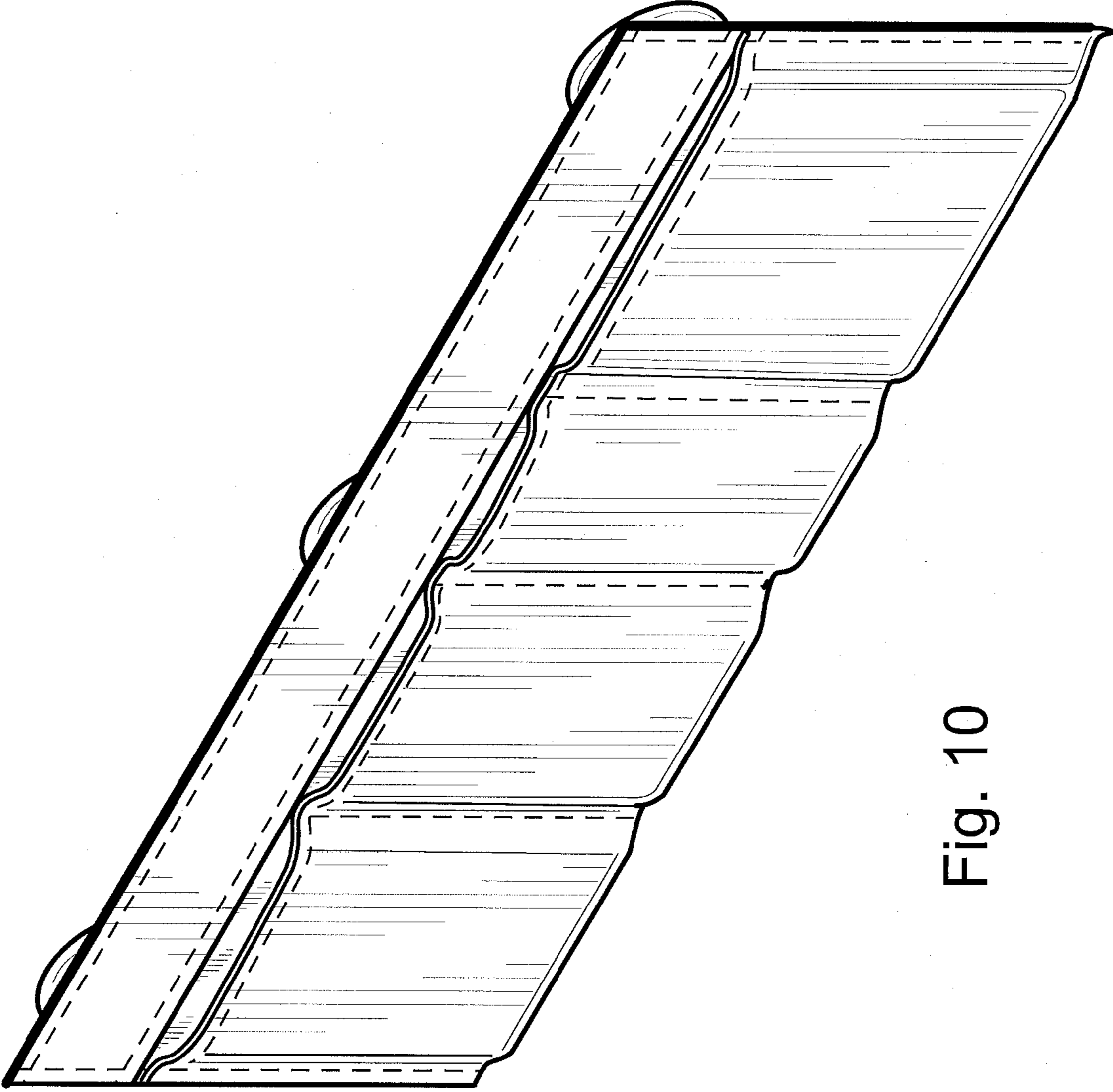


Fig. 10

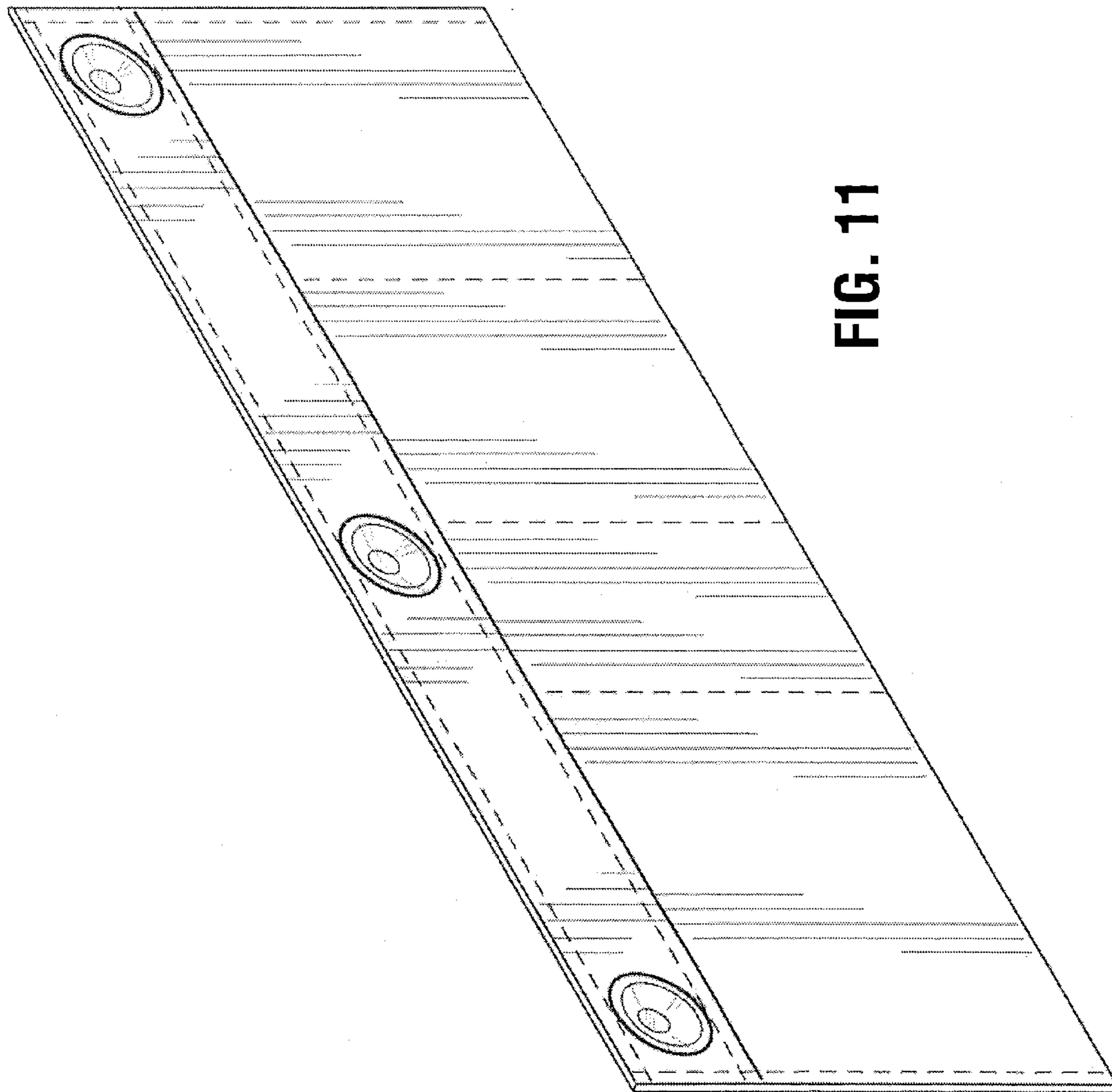


FIG. 11

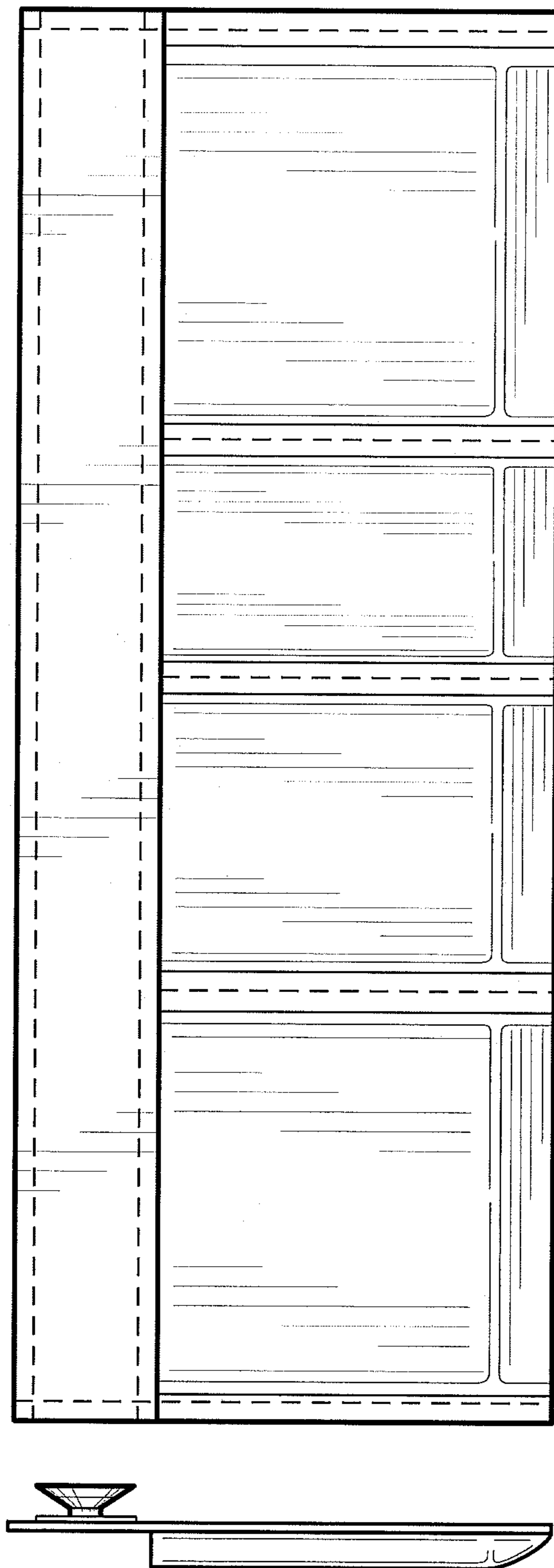


Fig. 12

Fig. 13

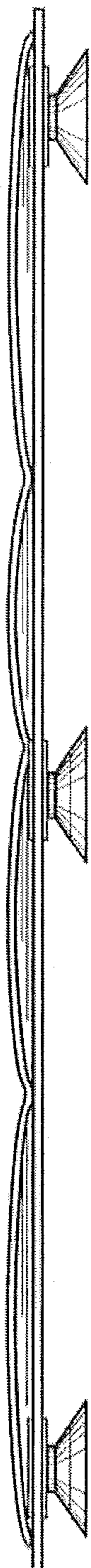


FIG. 14

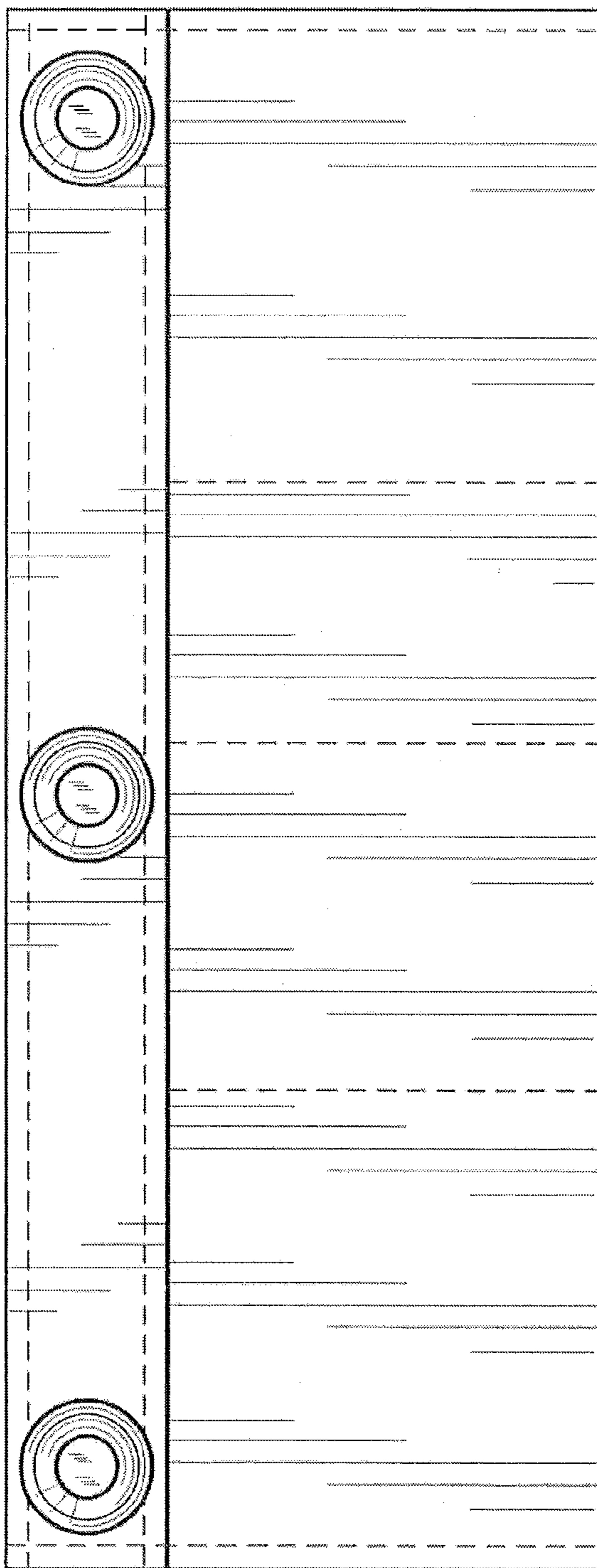


FIG. 15



FIG. 16