



US00D706537S

(12) **United States Design Patent**
Brandt

(10) **Patent No.:** **US D706,537 S**
(45) **Date of Patent:** **** Jun. 10, 2014**

(54) **WALLET**

(71) Applicant: **Richard F Brandt**, Shrewsbury, NJ (US)

(72) Inventor: **Richard F Brandt**, Shrewsbury, NJ (US)

(**) Term: **14 Years**

(21) Appl. No.: **29/439,958**

(22) Filed: **Dec. 18, 2012**

(51) **LOC (10) Cl.** **03-01**

(52) **U.S. Cl.**
USPC **D3/247**

(58) **Field of Classification Search**
USPC D3/247, 249-253; 150/130-132,
150/136-137, 147
See application file for complete search history.

(56) **References Cited**

U.S. PATENT DOCUMENTS

D83,980 S *	4/1931	Lewis	D3/243
D95,295 S *	4/1935	Walinsky	D3/243
D95,391 S *	4/1935	Walinsky	D3/243

* cited by examiner

Primary Examiner — Holly Baynham

(74) *Attorney, Agent, or Firm* — Wall & Tong, LLP

(57) **CLAIM**

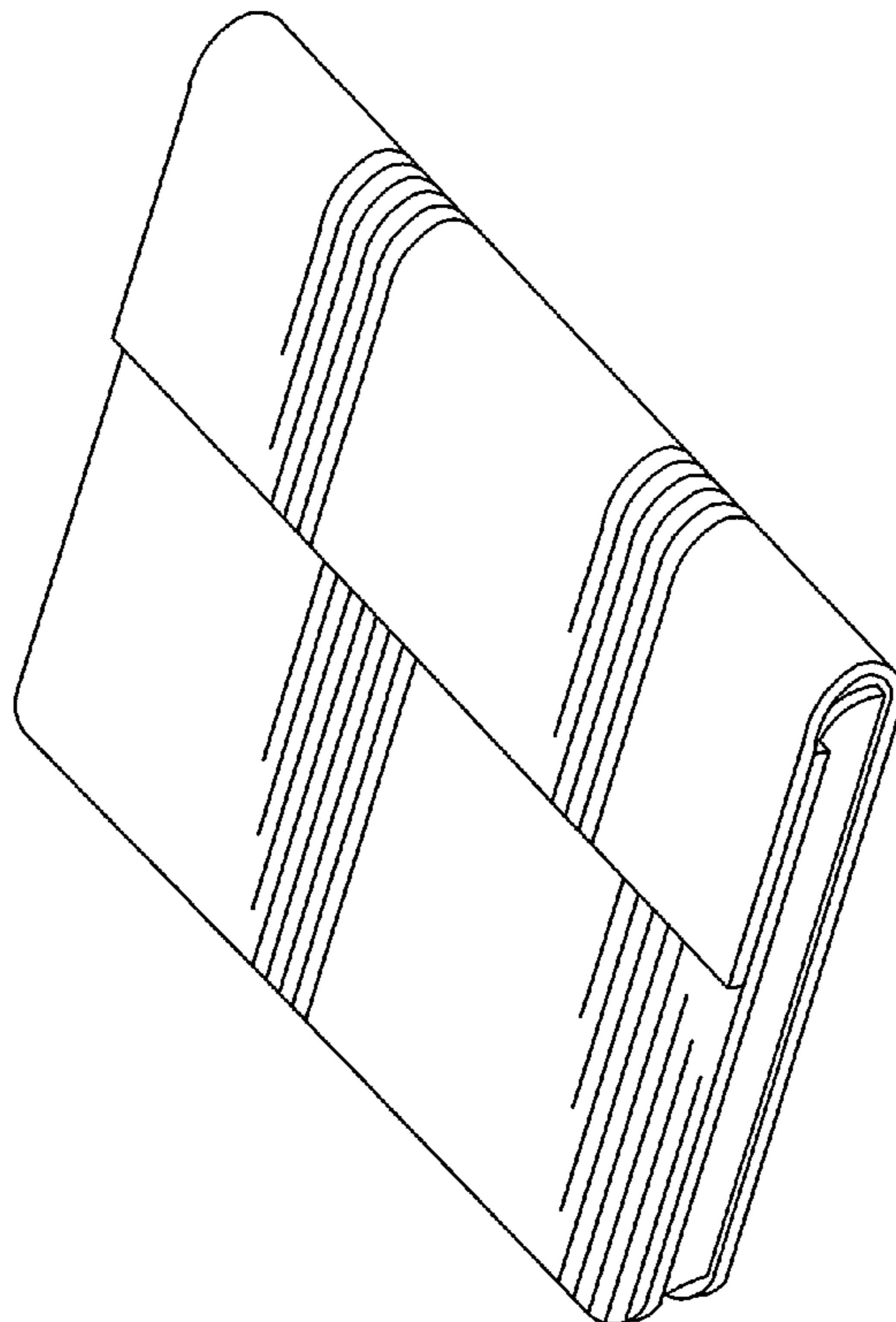
I claim the ornamental design for the wallet, as shown and described.

DESCRIPTION

FIG. 1 is a perspective view of an embodiment of a flexible wallet closed and unflexed;
 FIG. 2 is a perspective view of the flexible wallet of FIG. 1 closed and flexed;
 FIG. 3 is a front view of the flexible wallet of FIG. 1 closed;
 FIG. 4 is a top view of the flexible wallet of FIG. 1 closed;
 FIG. 5 is a rear view of the flexible wallet of FIG. 1 closed;
 FIG. 6 is a bottom view of the flexible wallet of FIG. 1;
 FIG. 7 is a left side view of the flexible wallet of FIG. 1 closed;
 FIG. 8 is a right side view of the flexible wallet of FIG. 1 closed;
 FIG. 9 is a perspective view of the flexible wallet of FIG. 1 open and flexed with snap fasteners;
 FIG. 10 is a perspective view of the flexible wallet of FIG. 1 open and flexed with Velcro fastener;
 FIG. 11 is a perspective view of a flexible wallet closed and unflexed;
 FIG. 12 is a perspective view of the flexible wallet of FIG. 11 closed and flexed;
 FIG. 13 is a front view of the flexible wallet of FIG. 11 closed;
 FIG. 14 is a rear view of the flexible wallet of FIG. 11 closed;
 FIG. 15 is a perspective view of the flexible wallet of FIG. 11 open and flexed with snap fasteners; and,
 FIG. 16 is a perspective view of the flexible wallet of FIG. 11 open and flexed with Velcro fastener.

The broken lines in the drawings are for the purposes of illustrating environment and forms no part of the claimed design.

1 Claim, 12 Drawing Sheets



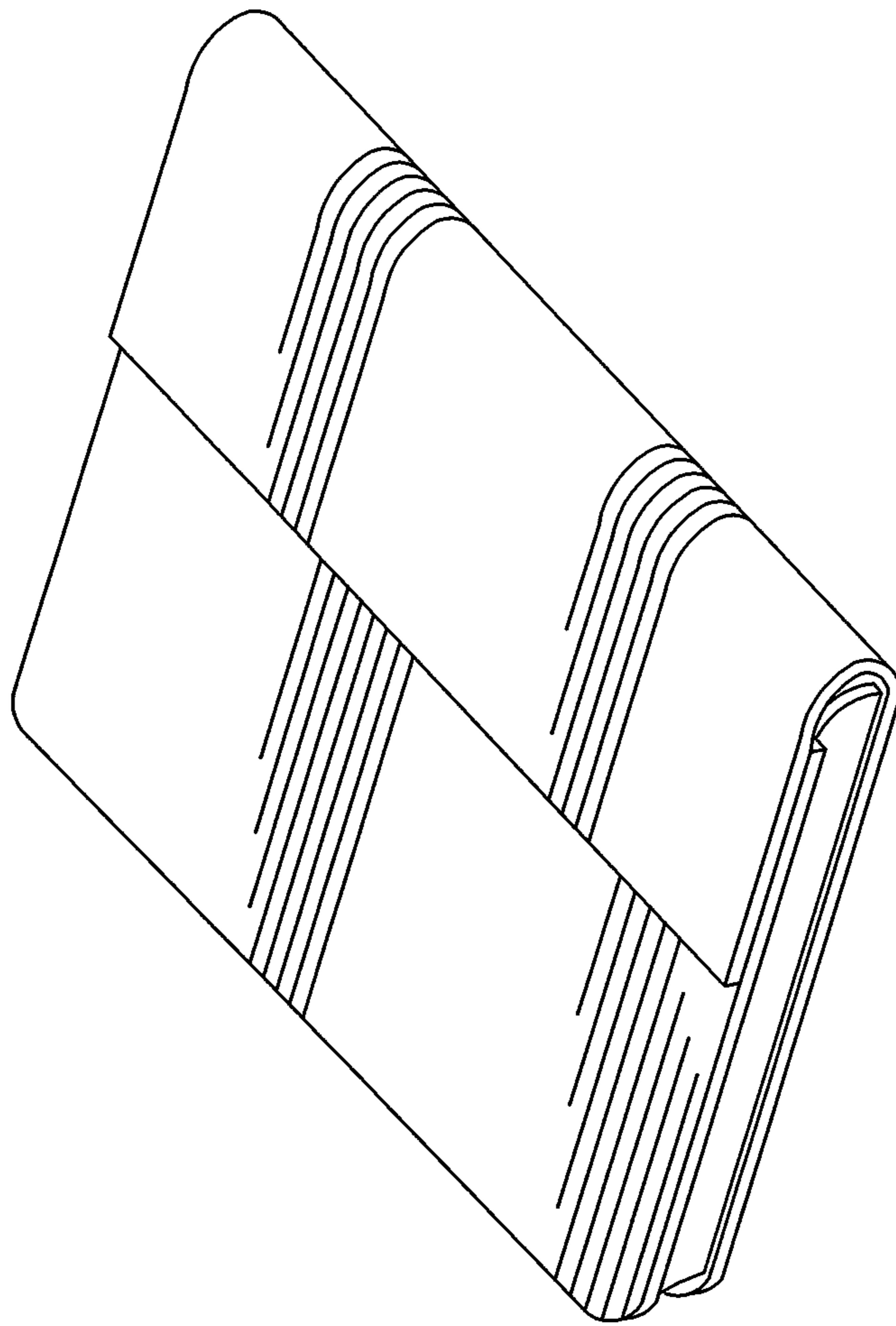


FIG. 1

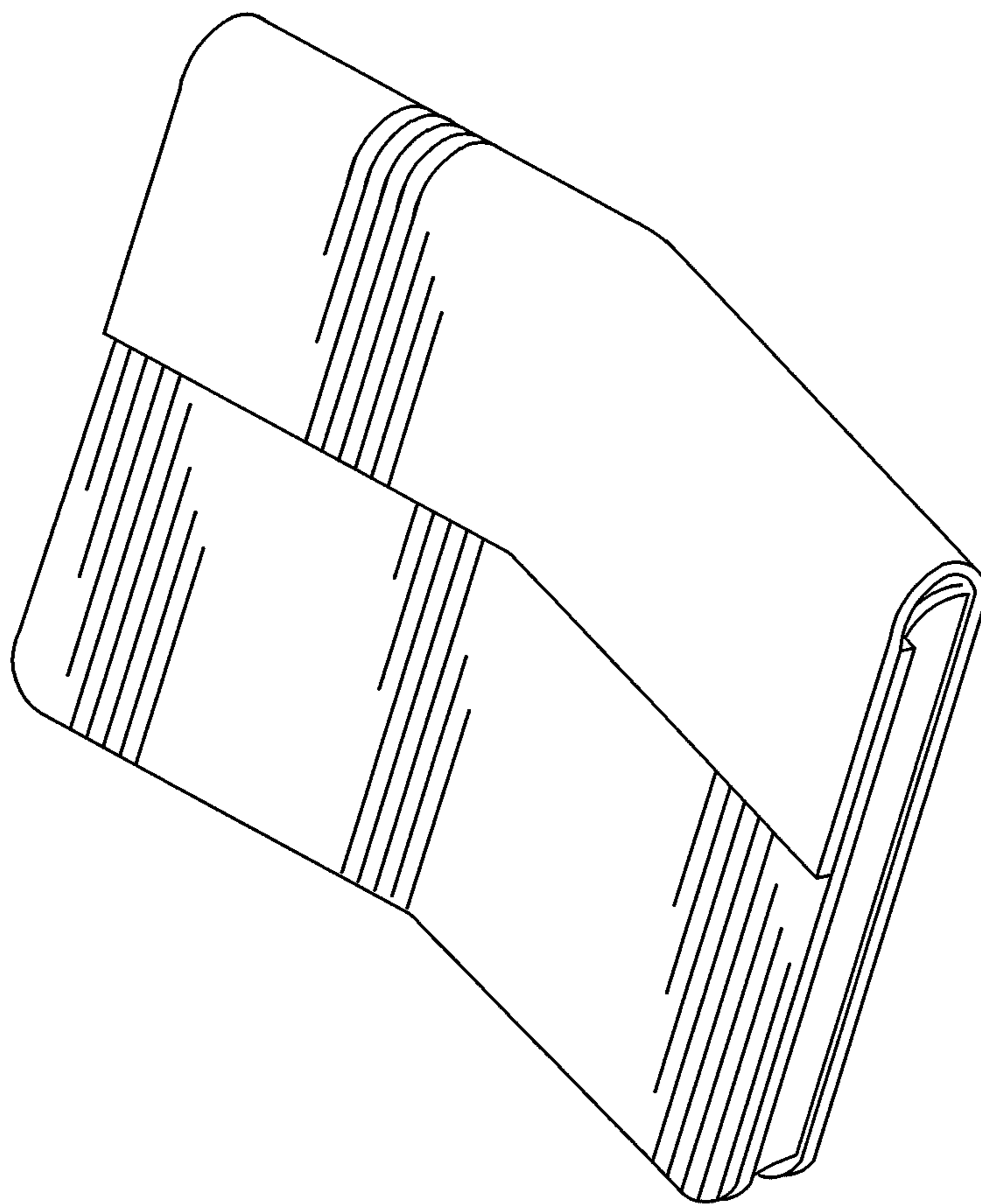


FIG. 2

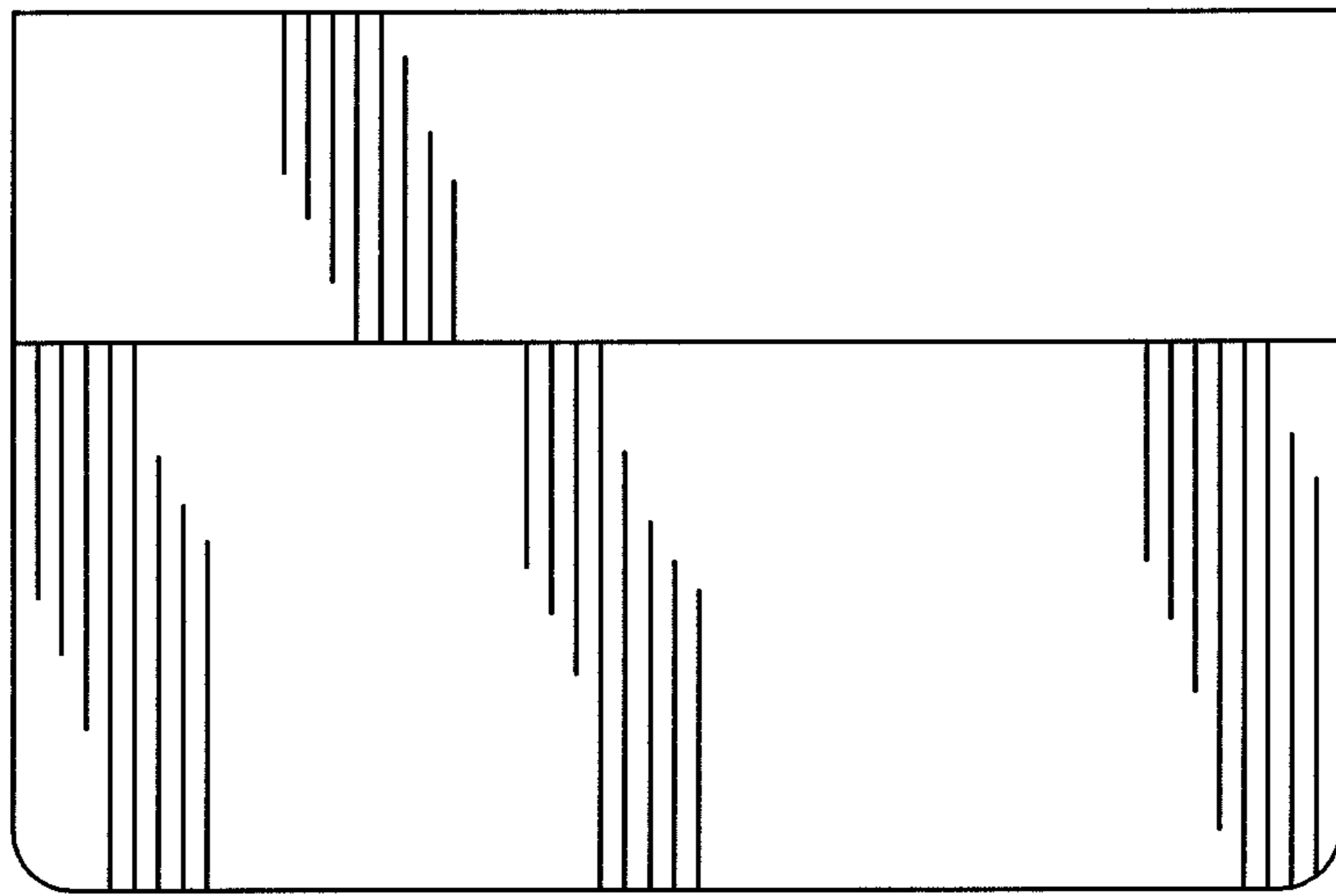


FIG. 3



FIG. 4

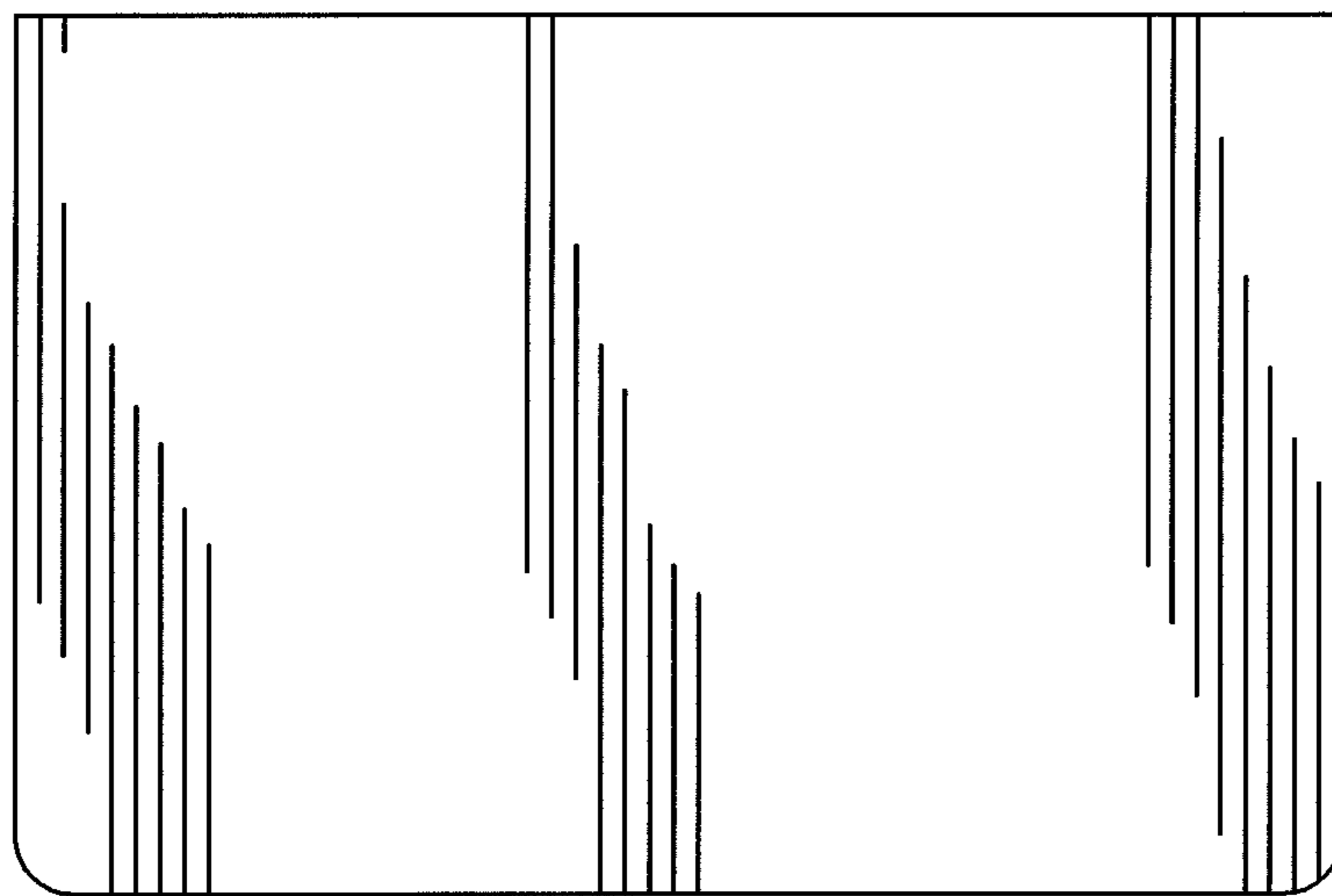


FIG. 5

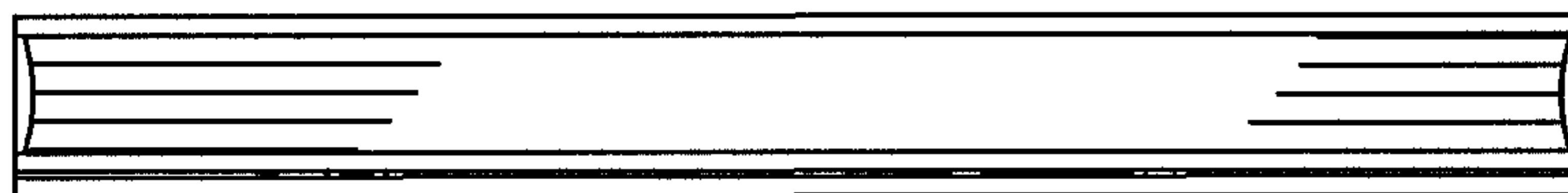


FIG. 6

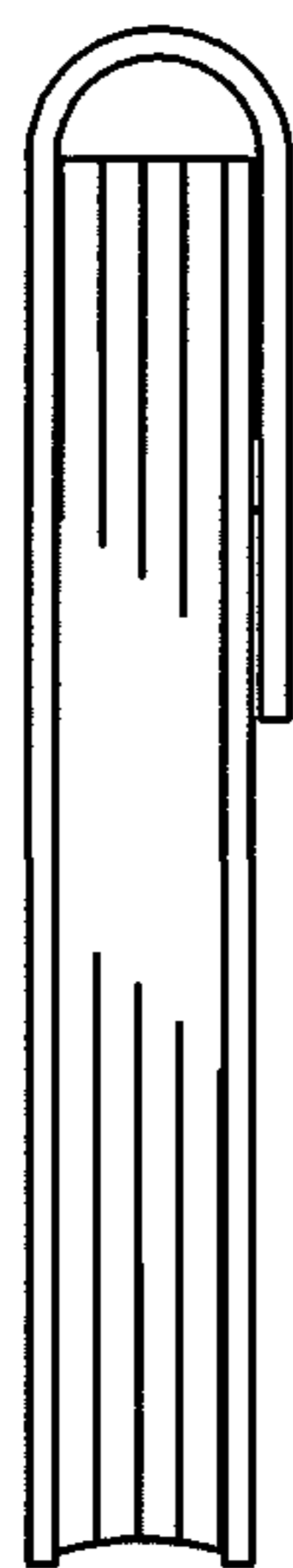


FIG. 7

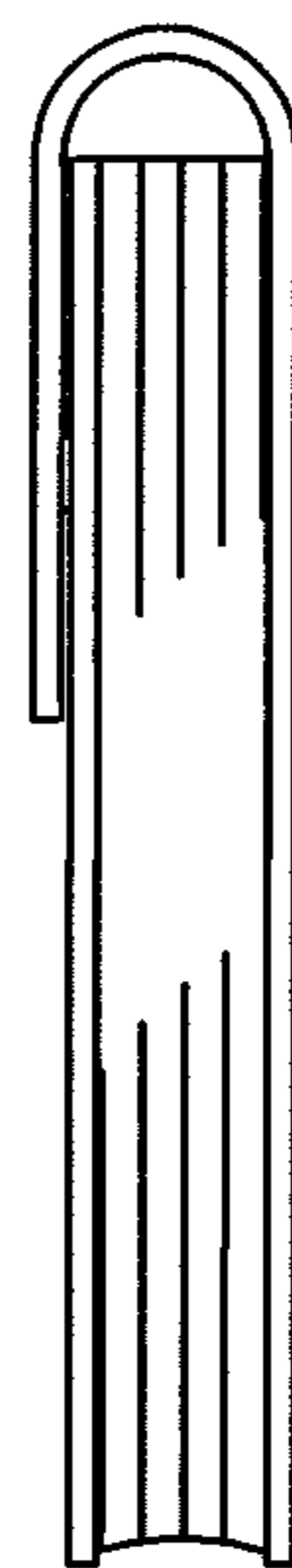


FIG. 8

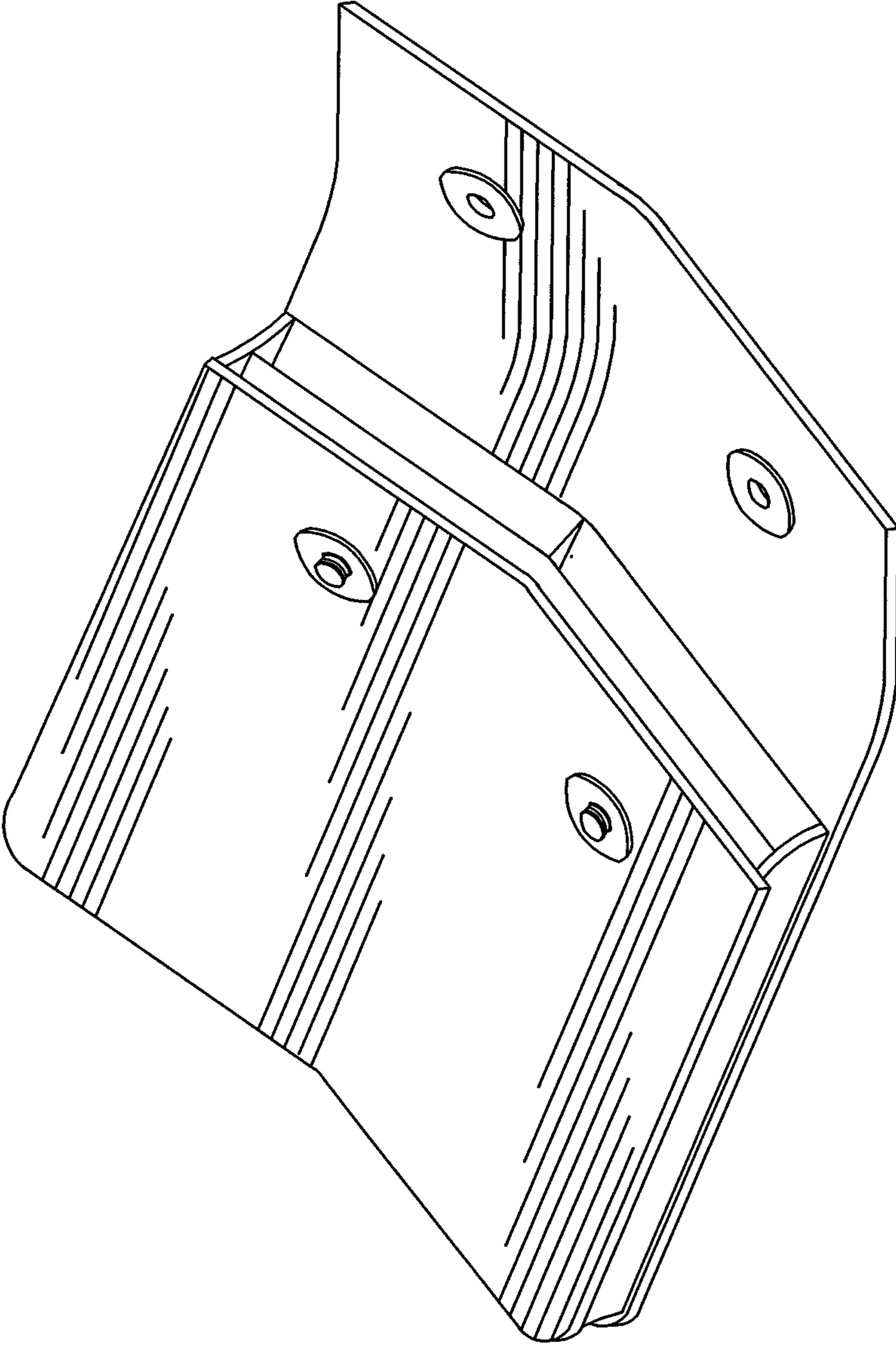


FIG. 9

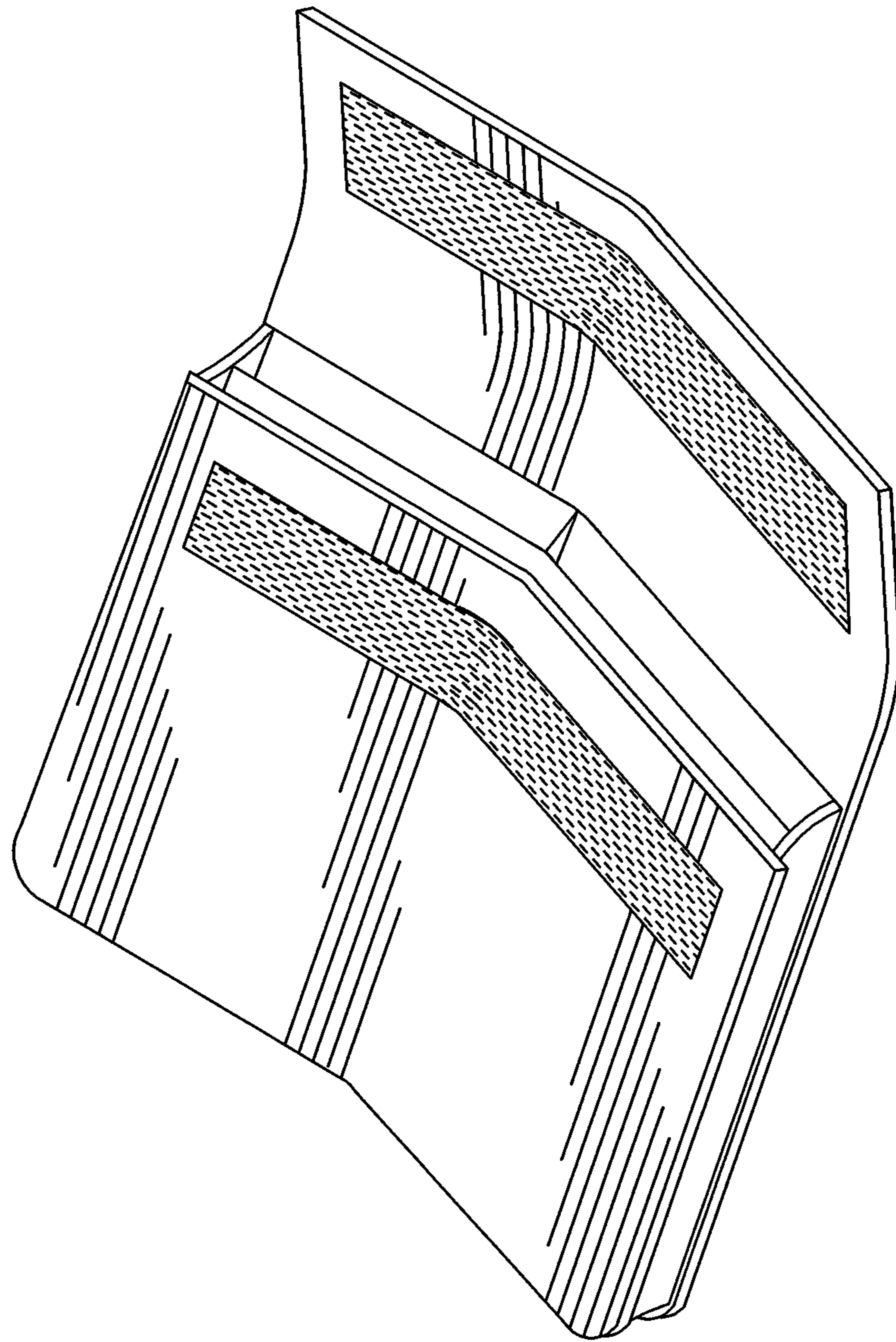


FIG. 10

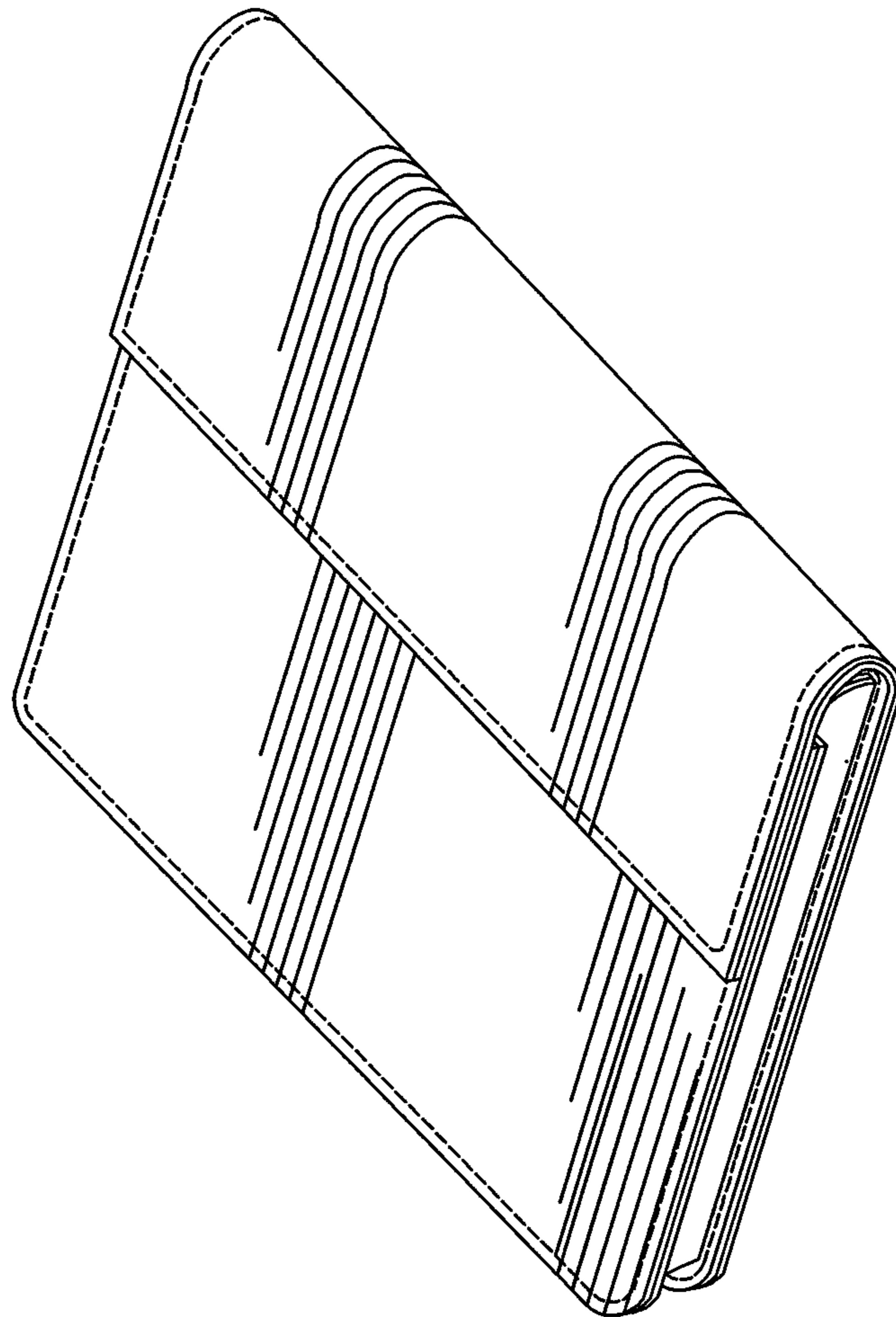


FIG. 11

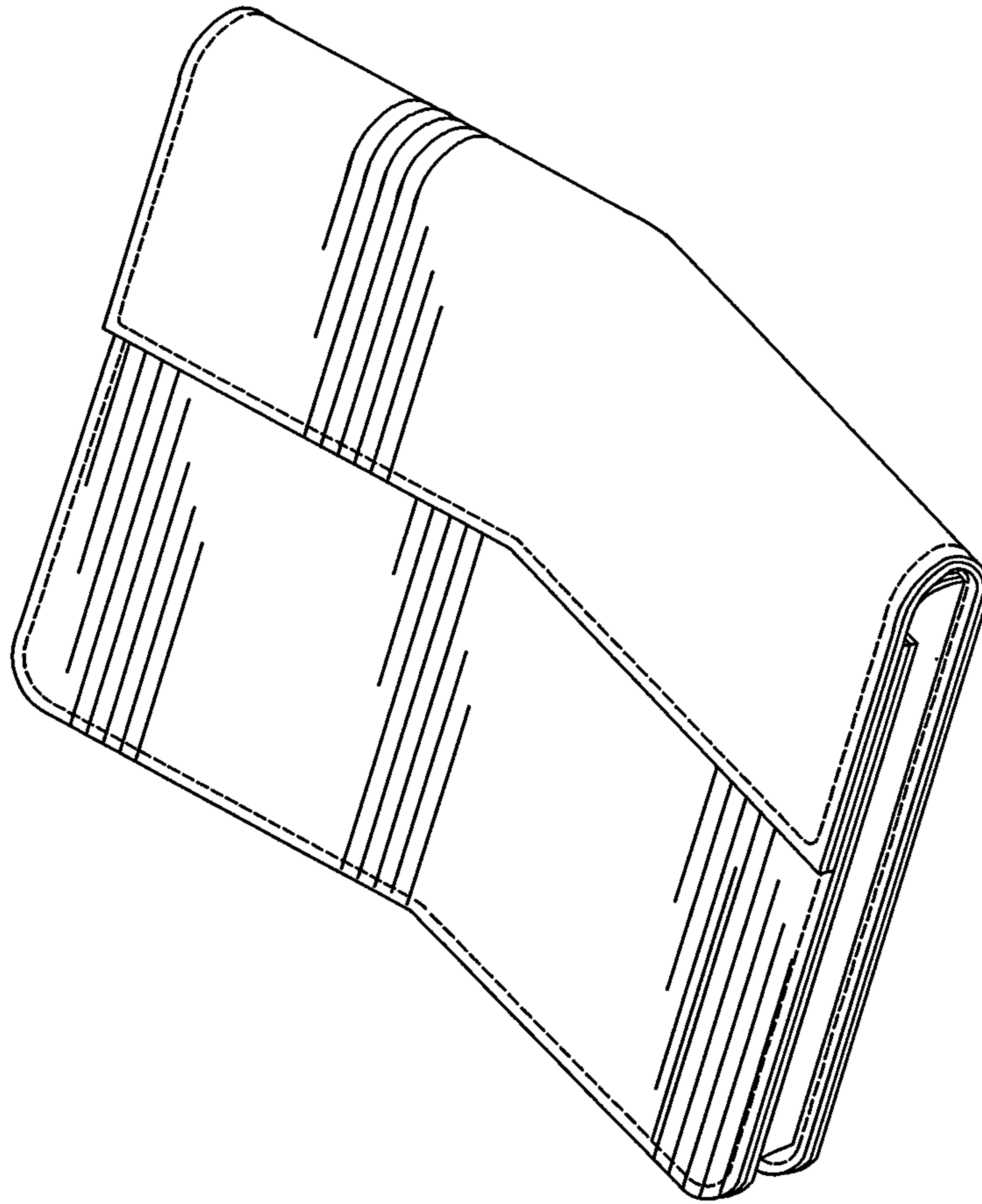


FIG. 12

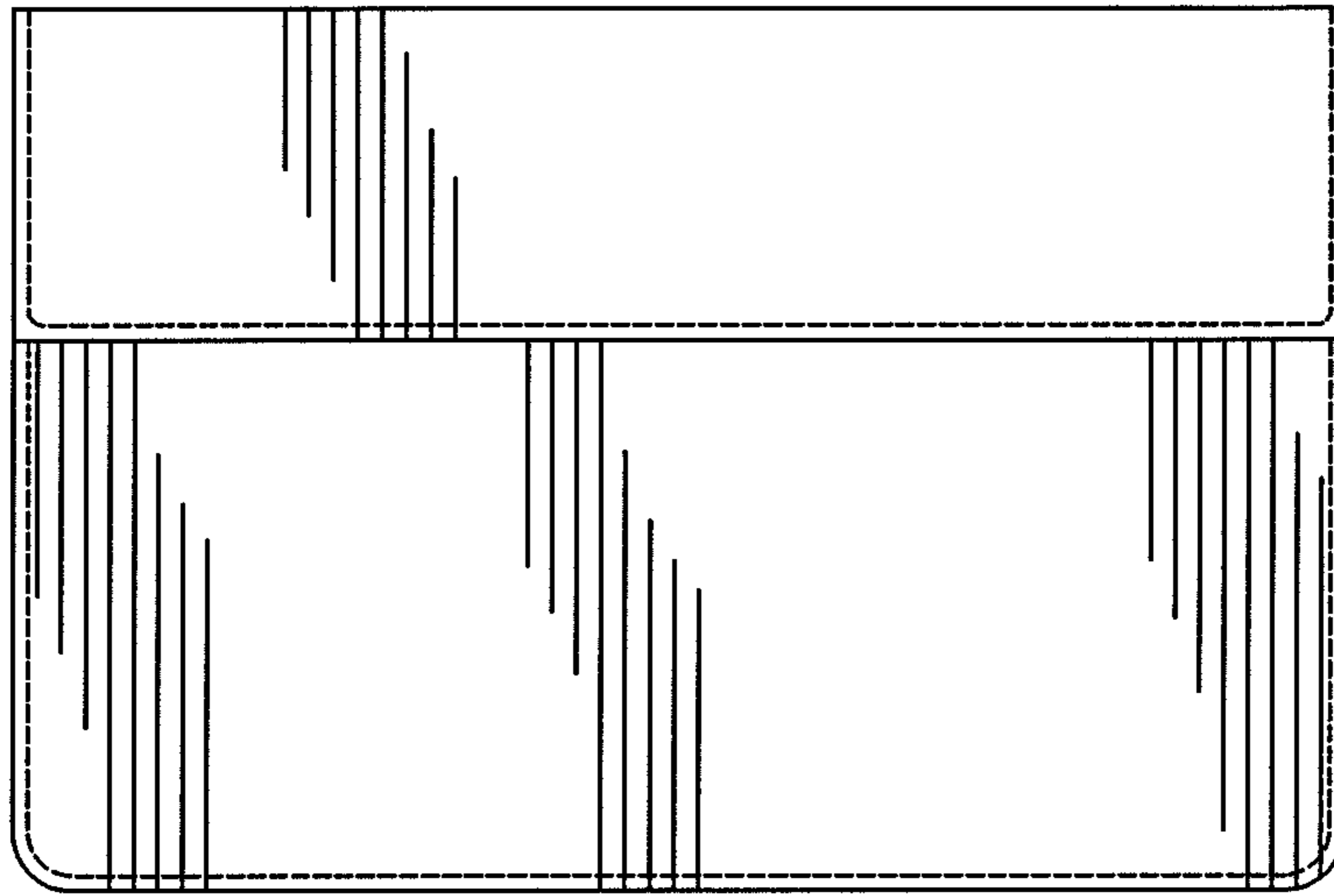


FIG. 13

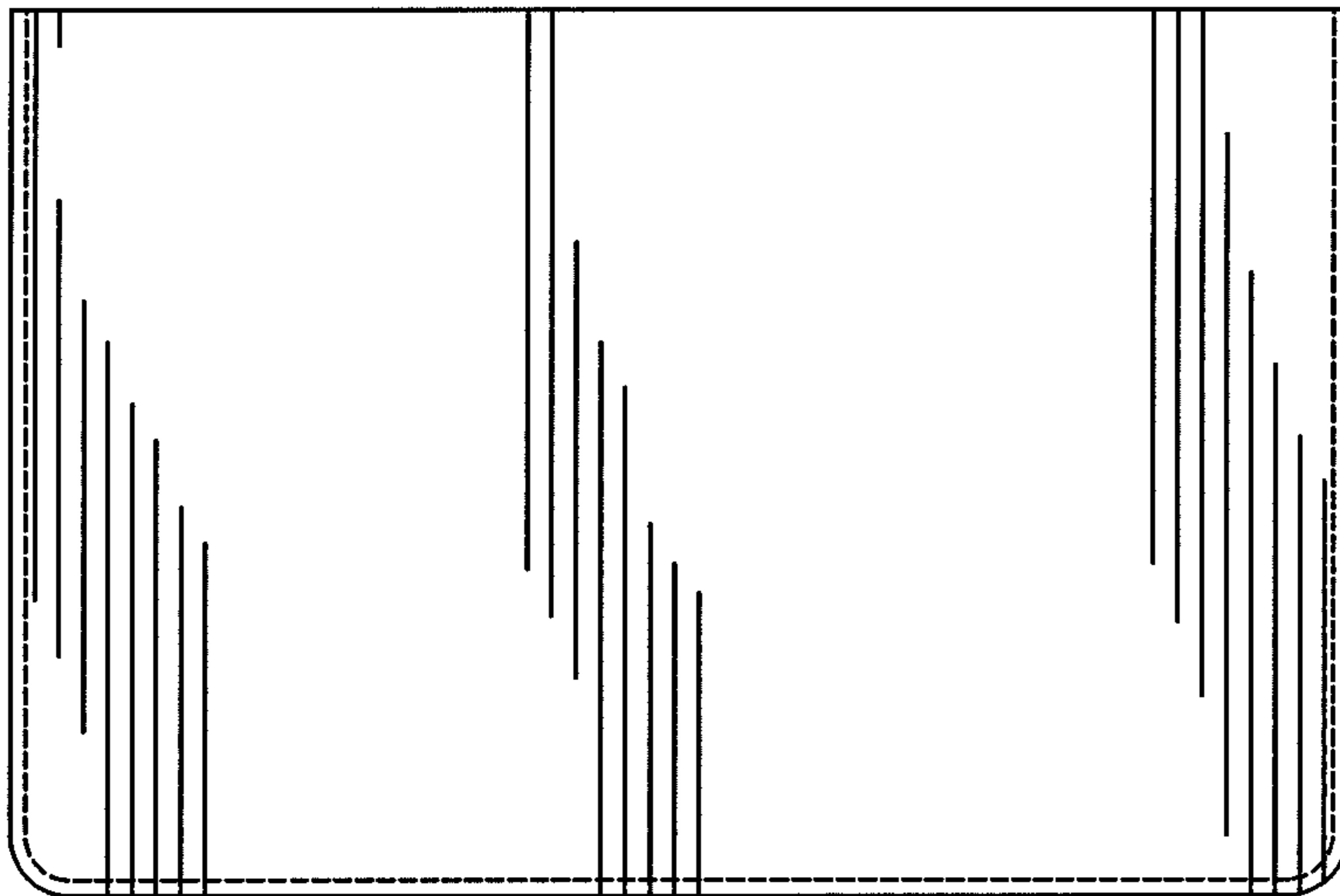


FIG. 14

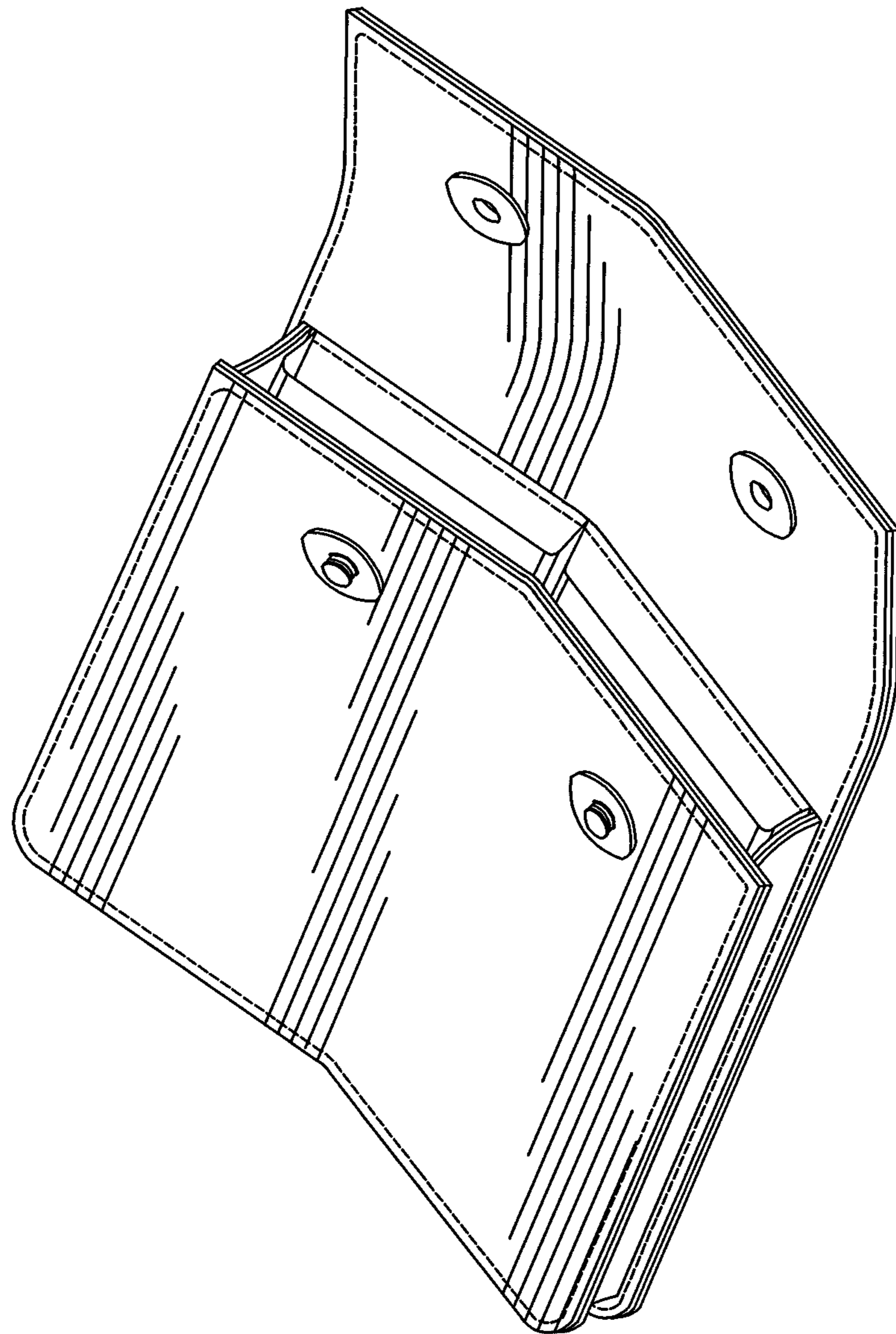


FIG. 15

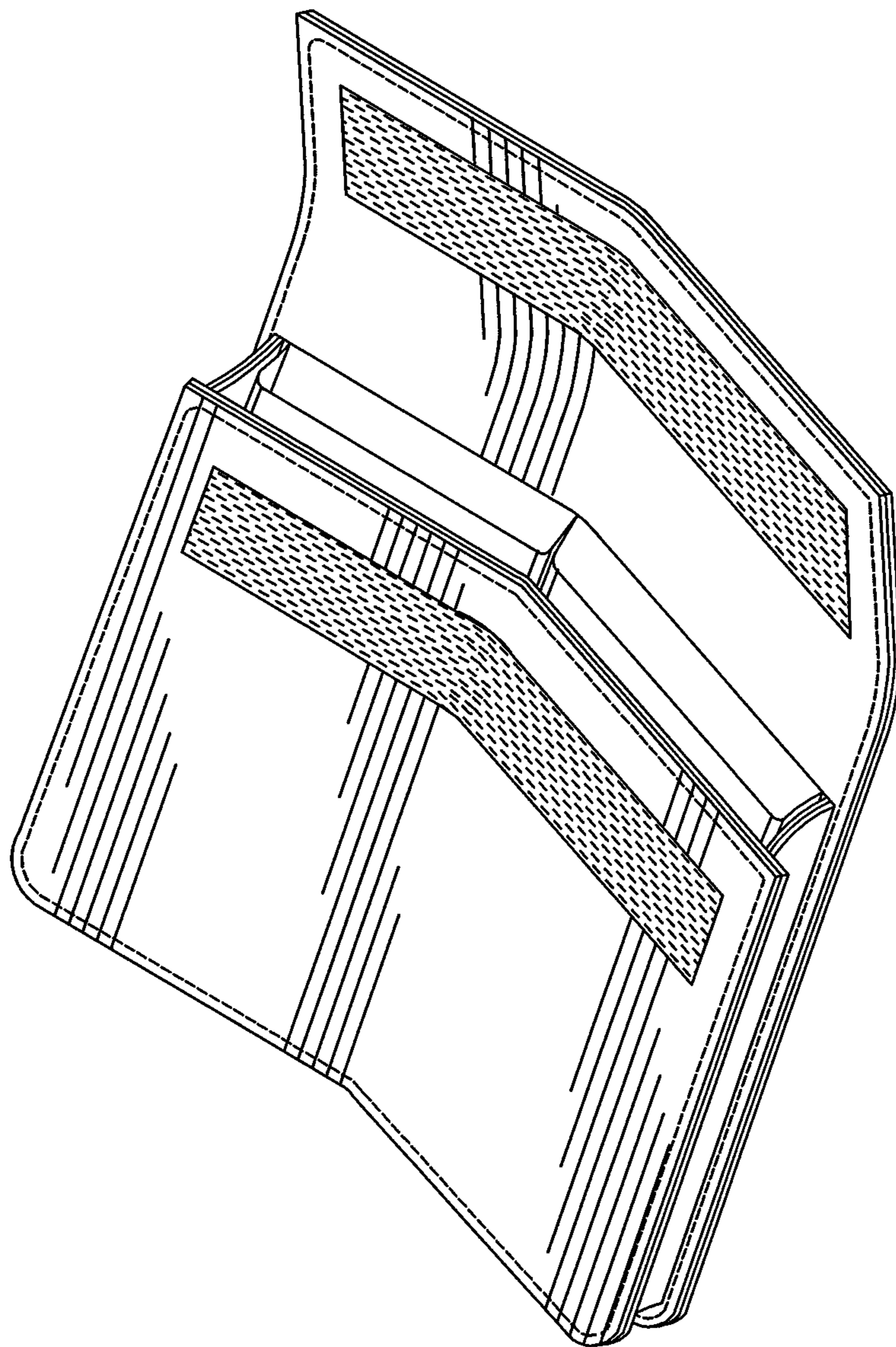


FIG. 16