



US00D706536S

(12) **United States Design Patent**  
**Nikosey**

(10) **Patent No.:** **US D706,536 S**  
(45) **Date of Patent:** **\*\* Jun. 10, 2014**

(54) **CARD CARRIER**

D656,312 S \* 3/2012 Gerbi ..... D3/232

(71) Applicant: **Spencer Nikosey**, Los Angeles, CA (US)

\* cited by examiner

(72) Inventor: **Spencer Nikosey**, Los Angeles, CA (US)

*Primary Examiner* — Holly Baynham

(\*\*) Term: **14 Years**

(74) *Attorney, Agent, or Firm* — Cotman IP Law Group, PLC

(21) Appl. No.: **29/439,589**

(57) **CLAIM**

(22) Filed: **Dec. 12, 2012**

The ornamental design for a card carrier, as shown and described.

(51) **LOC (10) Cl.** ..... **03-01**

(52) **U.S. Cl.**  
USPC ..... **D3/247**

(58) **Field of Classification Search**  
USPC ..... D3/247, 249–253; 150/130, 132,  
150/136–137, 147

See application file for complete search history.

**DESCRIPTION**

FIG. 1 is an isometric view of a card carrier showing a new design;

FIG. 2 is a side view of the embodiment of the card carrier shown in FIG. 1; and,

FIG. 3 is a side perspective view of the embodiment of the card carrier shown in FIG. 1.

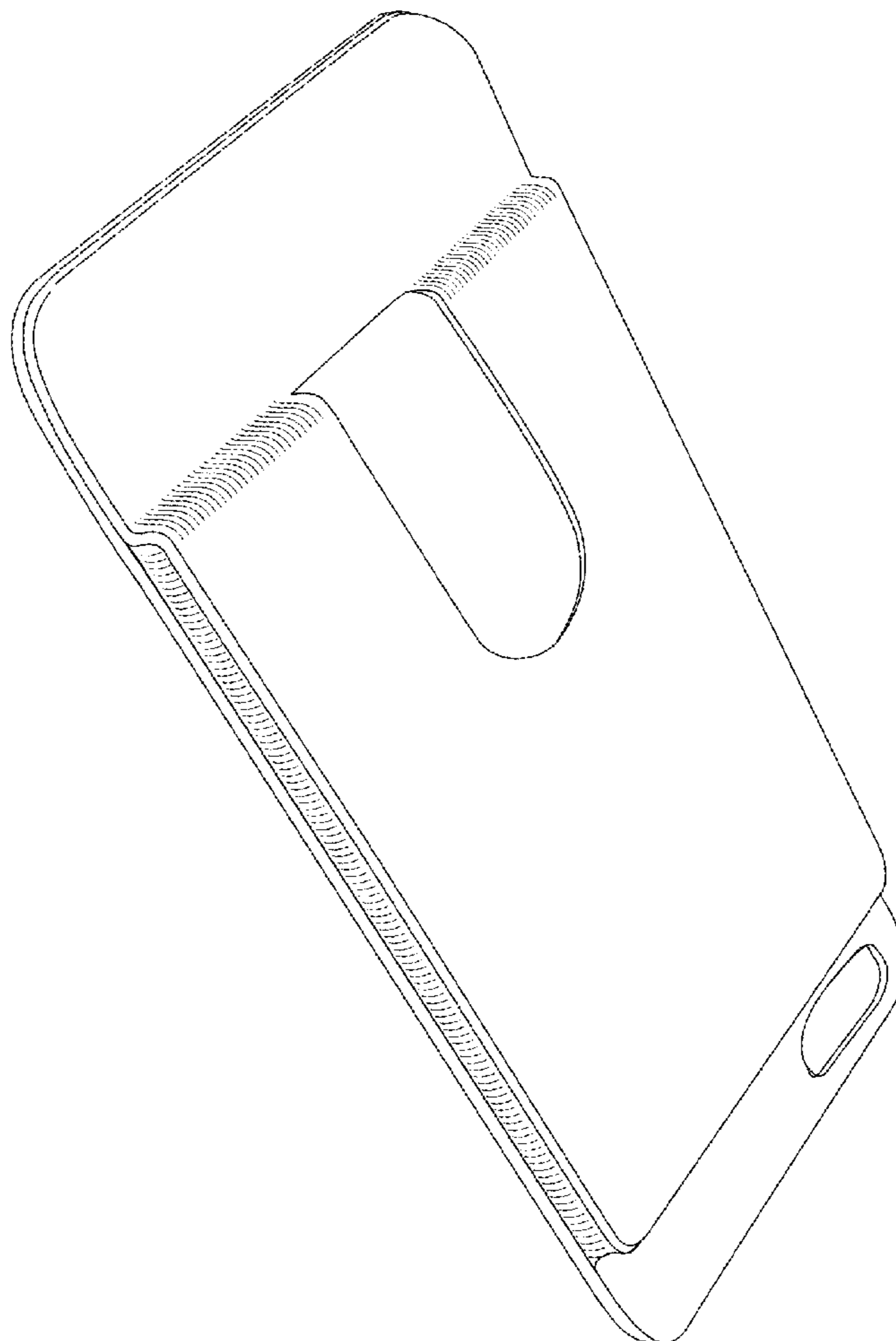
The broken lines showing the bottom edge of the card carrier is for the purposes of illustrating environment and forms no part of the claimed design.

(56) **References Cited**

U.S. PATENT DOCUMENTS

D107,893 S \* 1/1938 Felmann ..... D3/240  
D156,979 S \* 1/1950 Lipshutz ..... D3/240

**1 Claim, 1 Drawing Sheet**



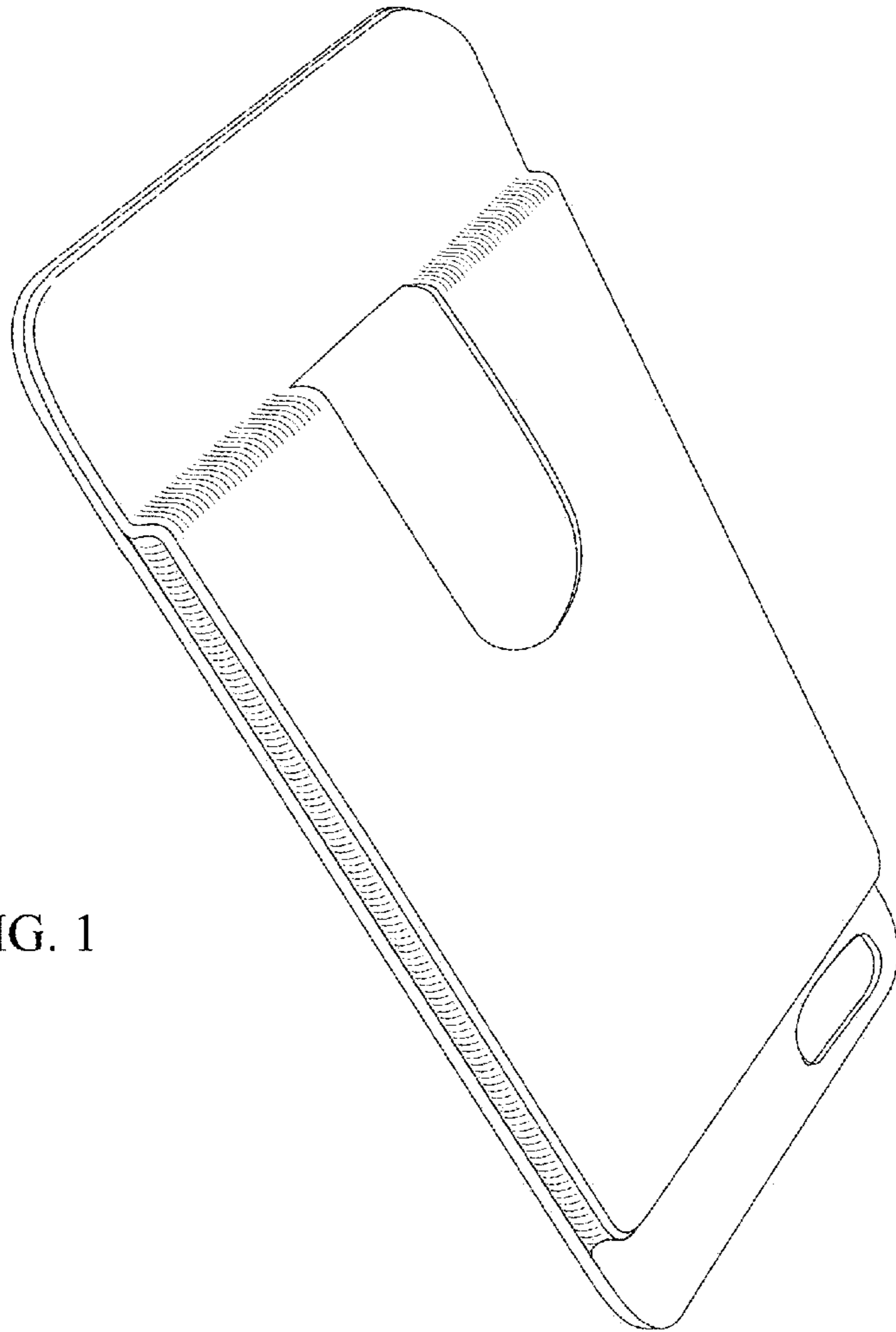


FIG. 1

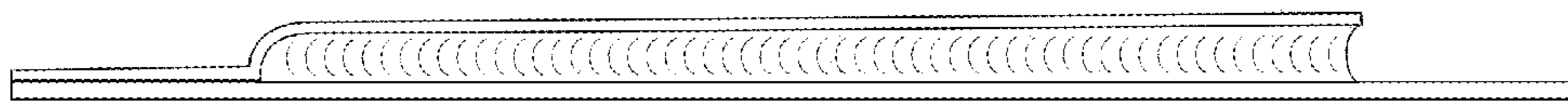


FIG. 2

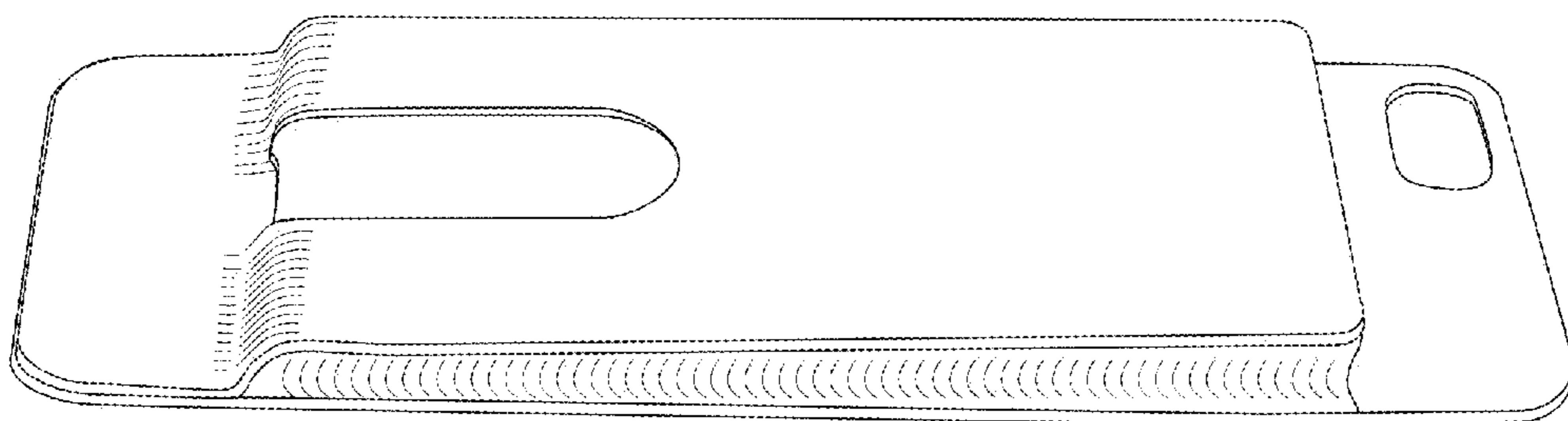


FIG. 3