



US00D706535S

(12) **United States Design Patent**  
**Noer et al.**

(10) **Patent No.:** **US D706,535 S**  
(45) **Date of Patent:** **\*\* Jun. 10, 2014**

(54) **PANNIER DEVICE FOR A BICYCLE**

*Primary Examiner* — Holly Baynham

(71) Applicant: **Thule IP AB**, Malmö (SE)

(74) *Attorney, Agent, or Firm* — Sheridan Ross P.C.

(72) Inventors: **Michael Noer**, Stillwater, MN (US);  
**Anna Carell**, Bromma (SE); **Oskar Juhlin**, Gustavsberg (SE); **Emelie Heden**, Stockholm (SE)

(57) **CLAIM**

The ornamental design for a pannier device for a bicycle, as shown and described.

(73) Assignee: **Thule IP AB**, Malmö (SE)

(\*\*) Term: **14 Years**

**DESCRIPTION**

(21) Appl. No.: **29/447,449**

(22) Filed: **Mar. 4, 2013**

(51) **LOC (10) Cl.** ..... **03-01**

(52) **U.S. Cl.** ..... **D3/231**

(58) **Field of Classification Search**

CPC ..... A45F 3/001; A45F 3/14; A45F 3/04;  
A45C 1/04; A45C 13/26; A45C 13/30;  
B62J 9/00

USPC ..... D3/231–232, 246; 224/419, 413,  
224/448–449, 558

See application file for complete search history.

(56) **References Cited**

**U.S. PATENT DOCUMENTS**

4,353,490	A *	10/1982	Jackson et al.	224/430
4,387,835	A *	6/1983	Golzer	224/417
4,577,786	A *	3/1986	Dowrick et al.	224/448
4,662,548	A *	5/1987	Jackson et al.	224/432
D366,447	S	1/1996	Berman	
D367,034	S	2/1996	Berman	
5,505,352	A *	4/1996	Sisson et al.	224/429
8,292,139	B2 *	10/2012	Golub et al.	224/419

**FOREIGN PATENT DOCUMENTS**

CA	2194802	7/1998
CN	2184624	12/1994

**OTHER PUBLICATIONS**

U.S. Appl. No. 29/435,729, filed Oct. 26, 2012, Carell.

\* cited by examiner

FIG. 1 is a front perspective view of the pannier device for a bicycle;

FIG. 2 is a front elevation view thereof;

FIG. 3 is a right elevation view thereof;

FIG. 4 is a left elevation view thereof;

FIG. 5 is a rear elevation view thereof;

FIG. 6 is a top plan view thereof;

FIG. 7 is a bottom plan view thereof;

FIG. 8 is a front perspective view of a pannier device for a bicycle according to an alternative embodiment;

FIG. 9 is a front elevation view of the pannier device for a bicycle of FIG. 8;

FIG. 10 is a right elevation view of the pannier device for a bicycle of FIG. 8;

FIG. 11 is a left elevation view of the pannier device for a bicycle of FIG. 8;

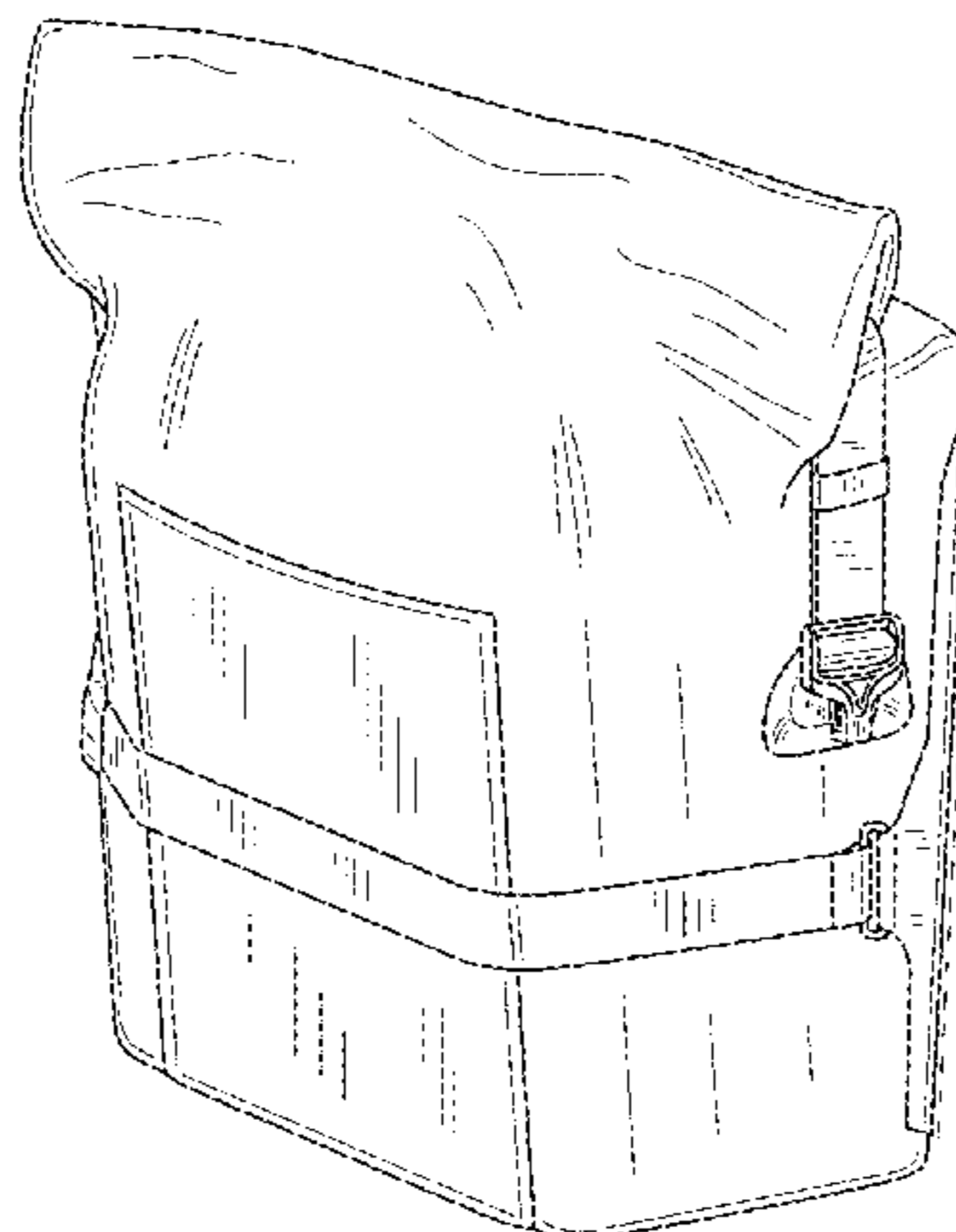
FIG. 12 is a rear elevation view of the pannier device for a bicycle of FIG. 8;

FIG. 13 is a top plan view of the pannier device for a bicycle of FIG. 8; and,

FIG. 14 is a bottom plan view of the pannier device for a bicycle of FIG. 8.

The broken lines showing a pannier device for a bicycle are included for the purpose of illustrating environment and form no part of the claimed design.

**1 Claim, 8 Drawing Sheets**



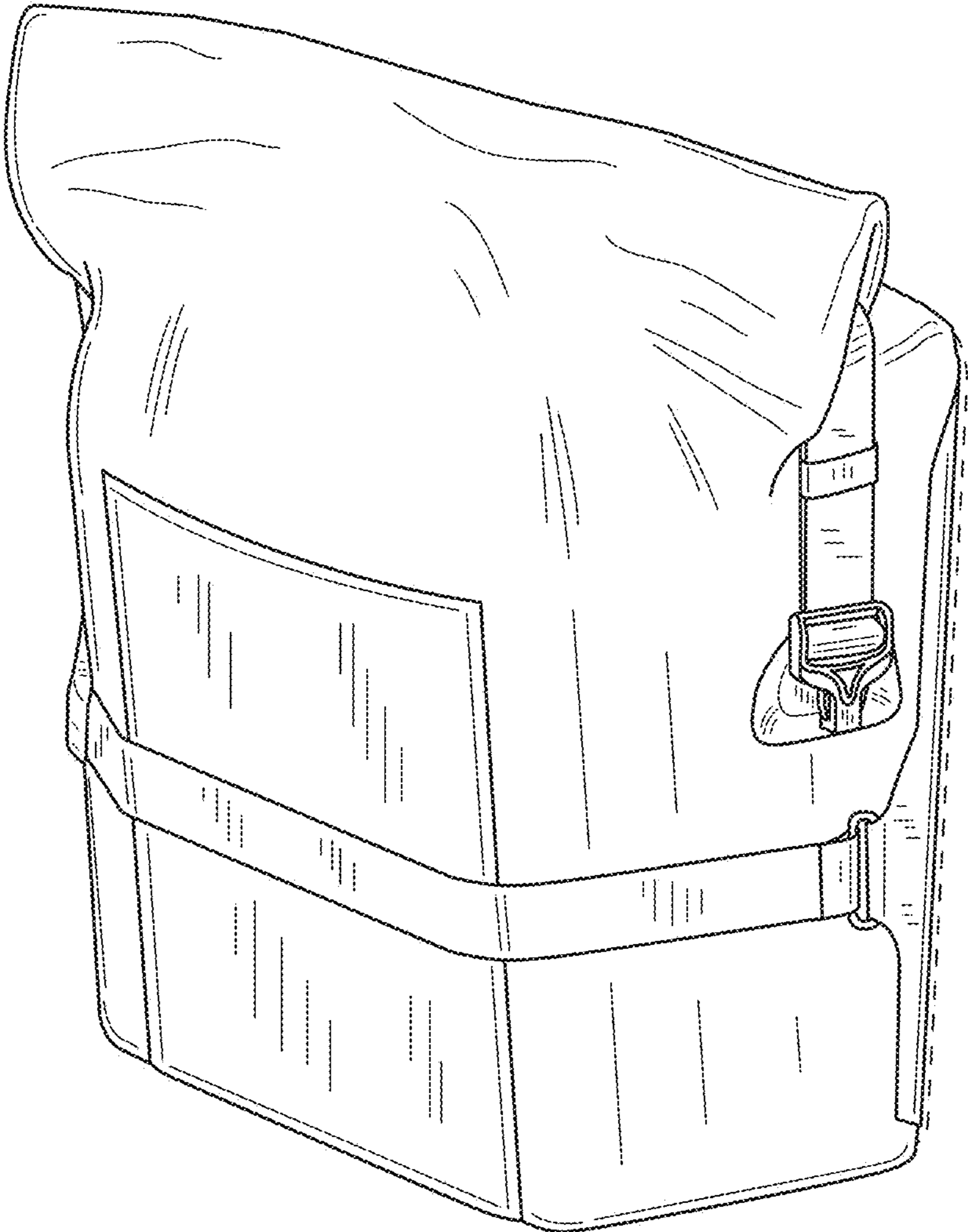


FIG.1

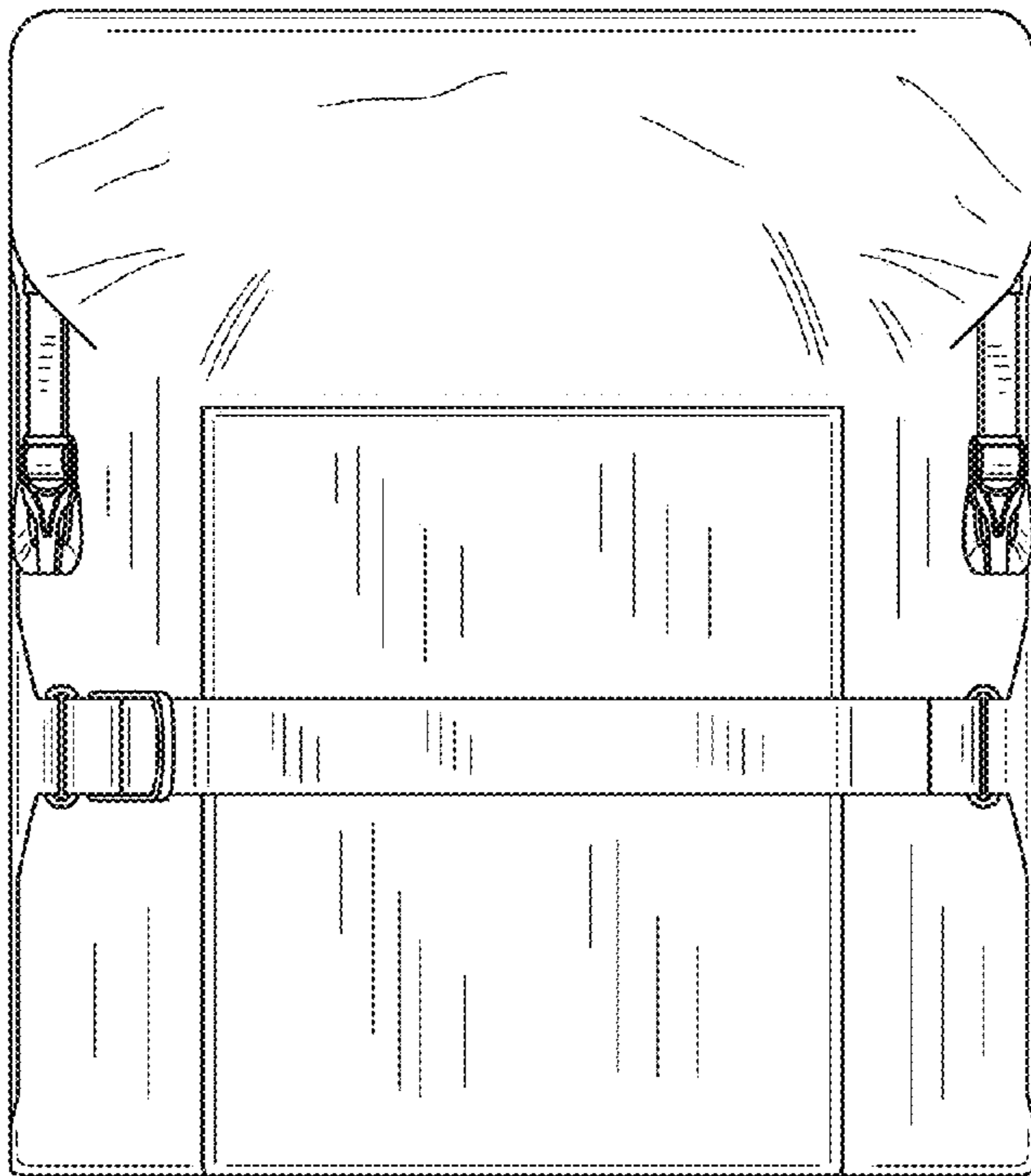


FIG. 2

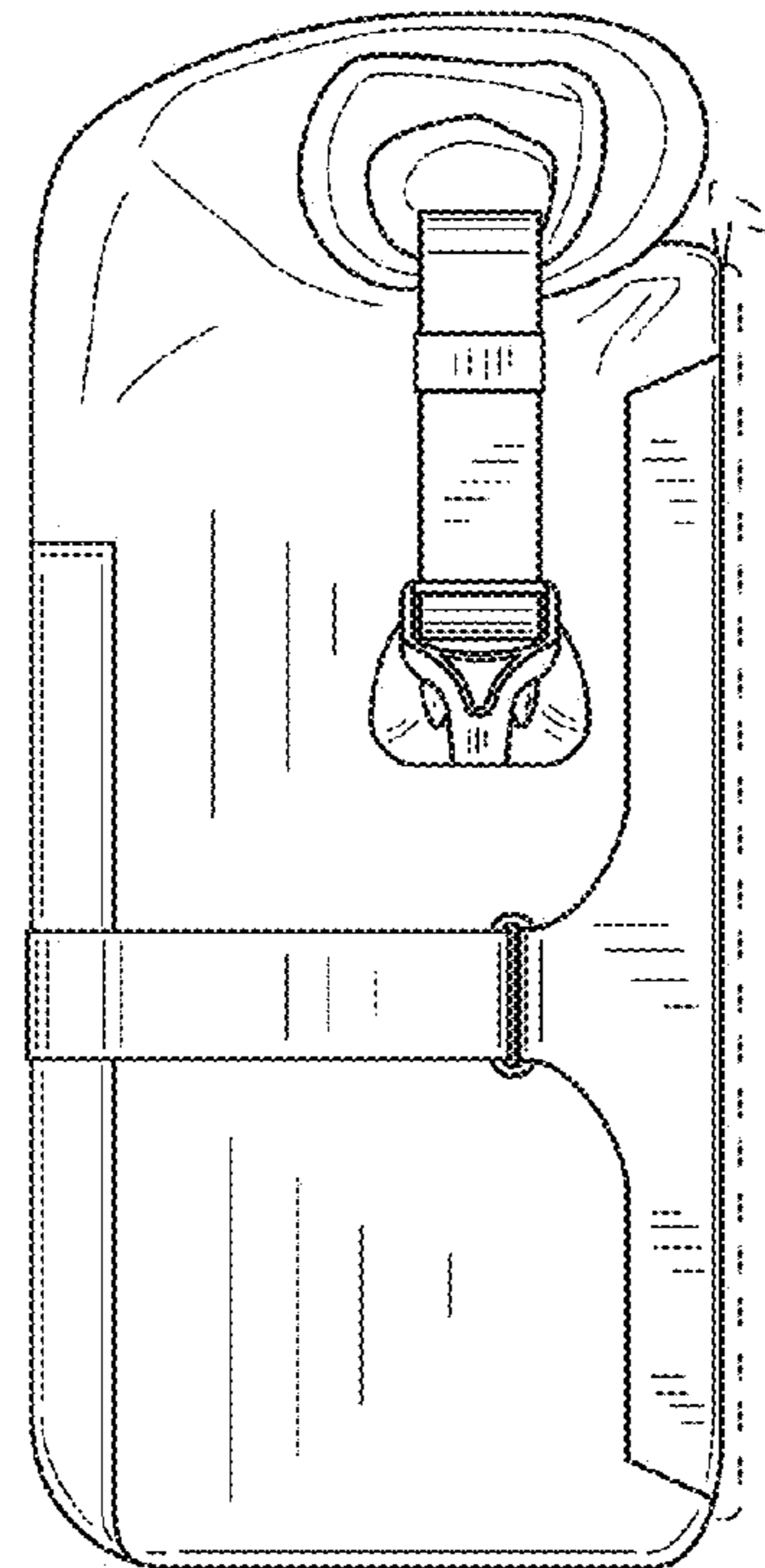


FIG. 3

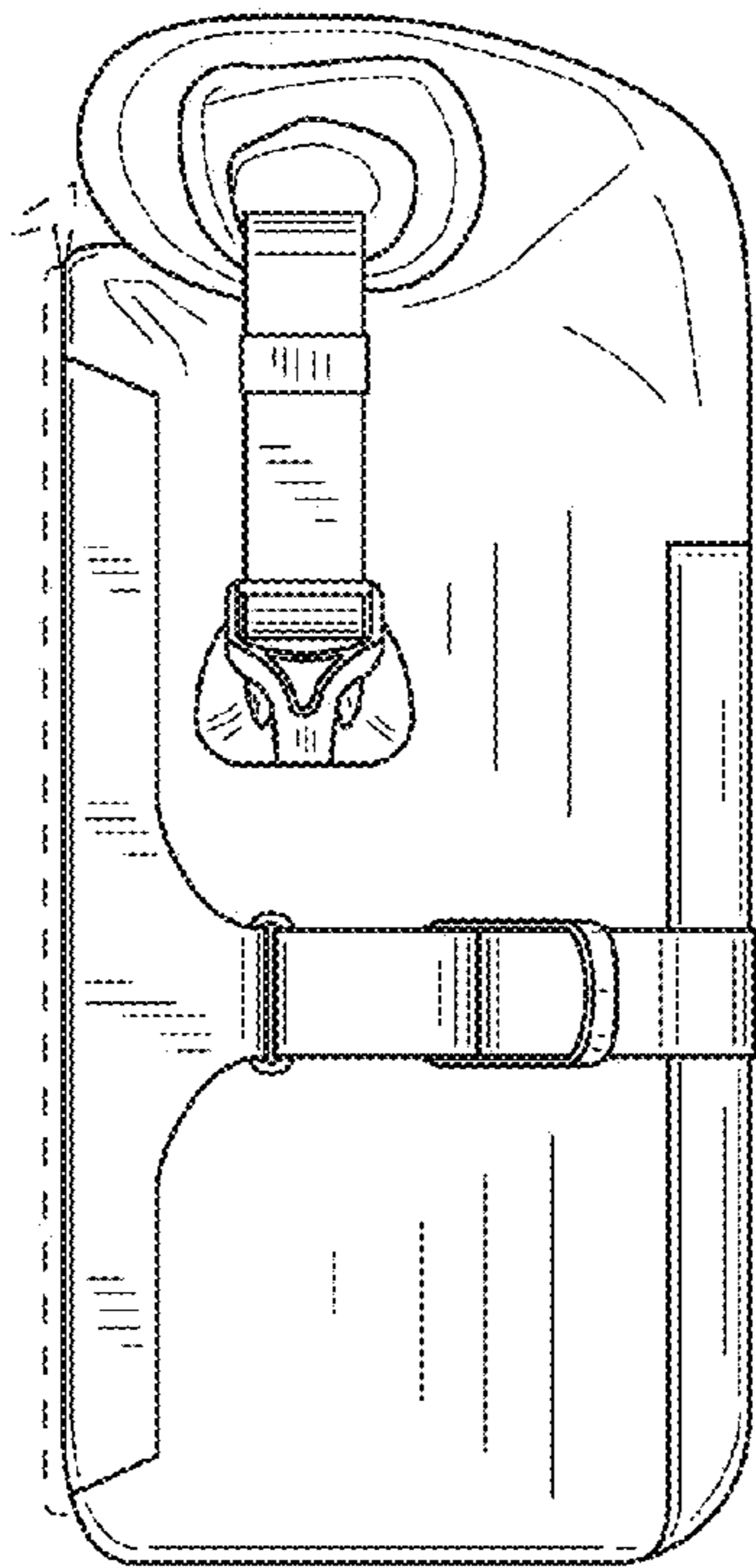


FIG. 4

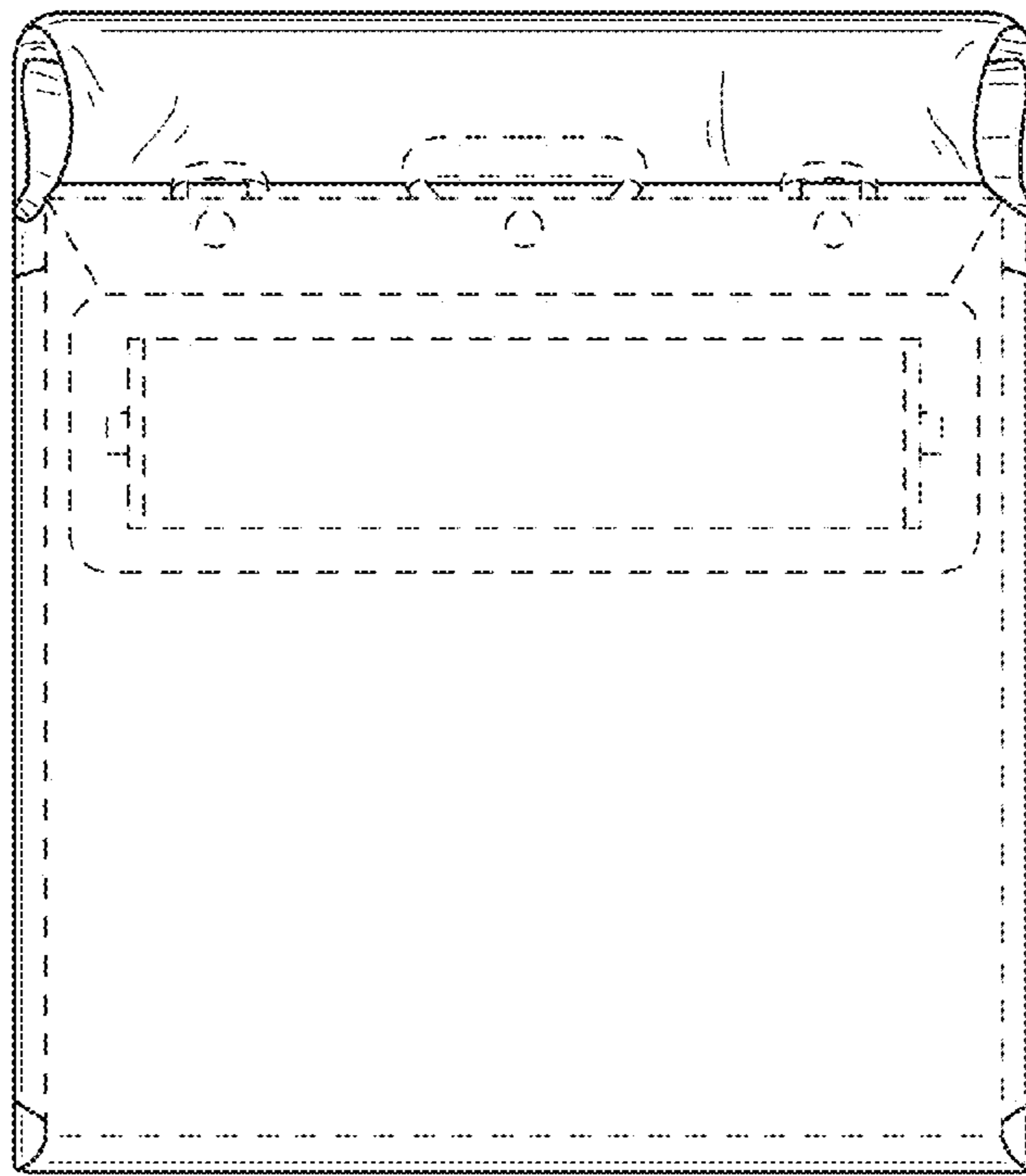


FIG. 5

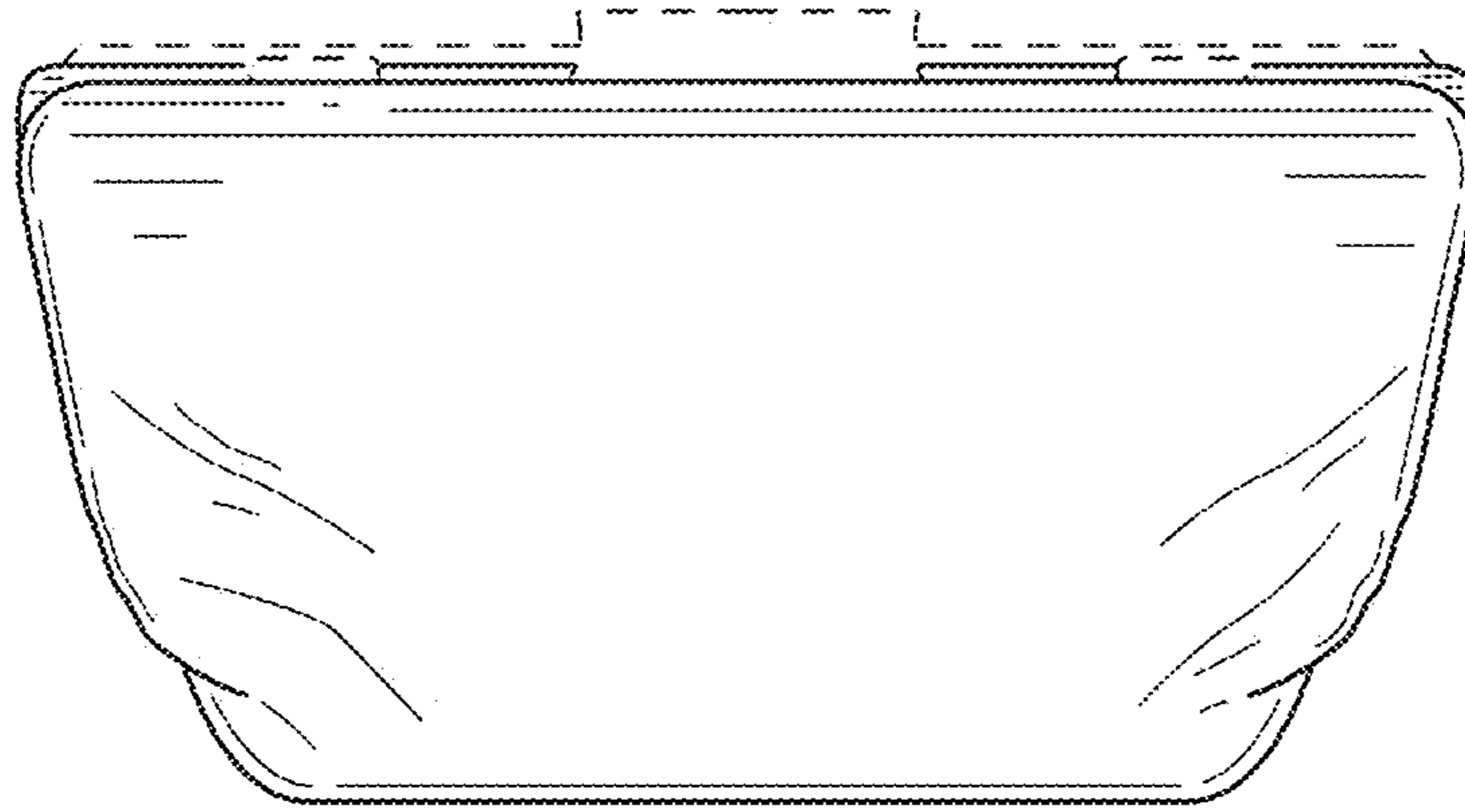


FIG. 6

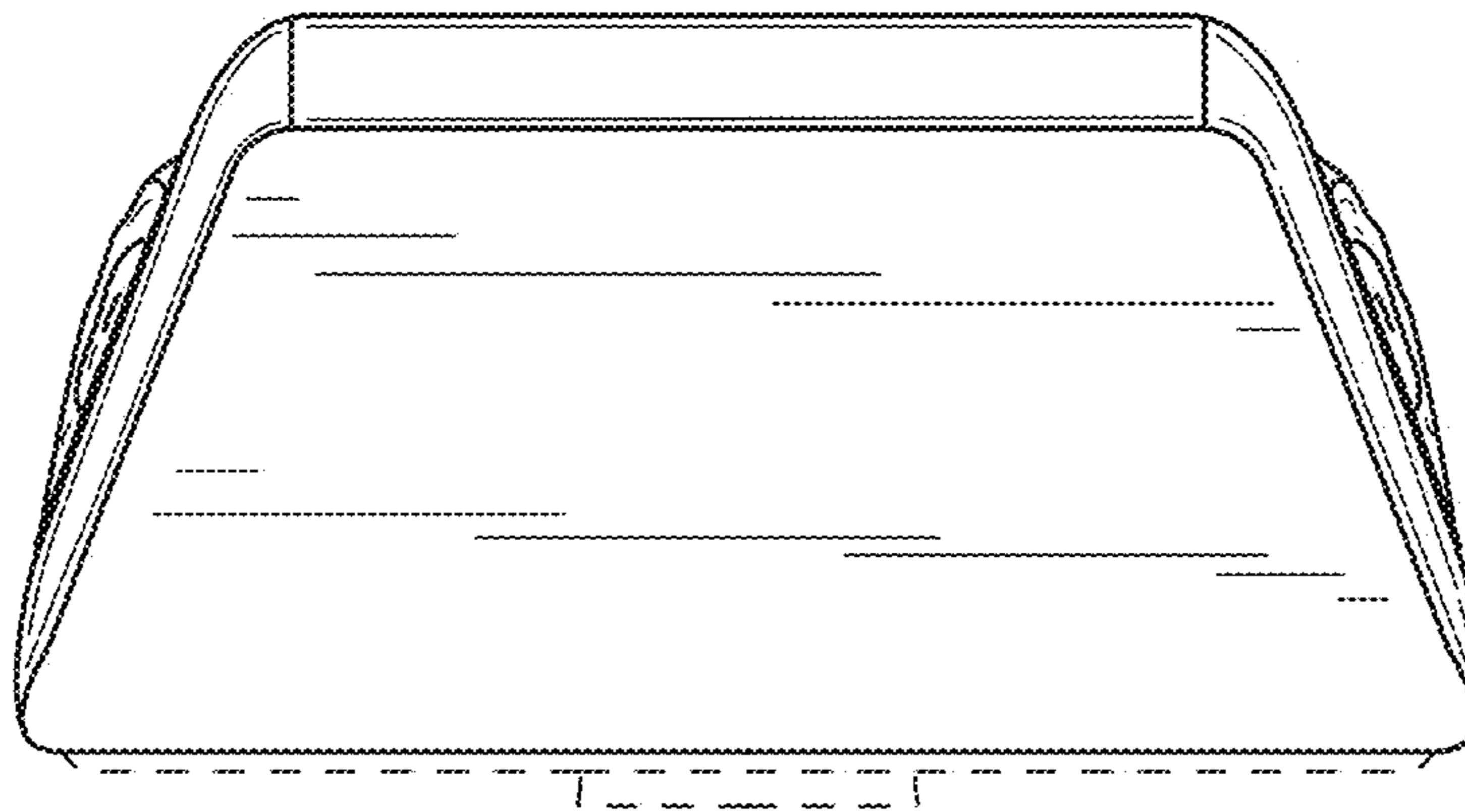


FIG. 7

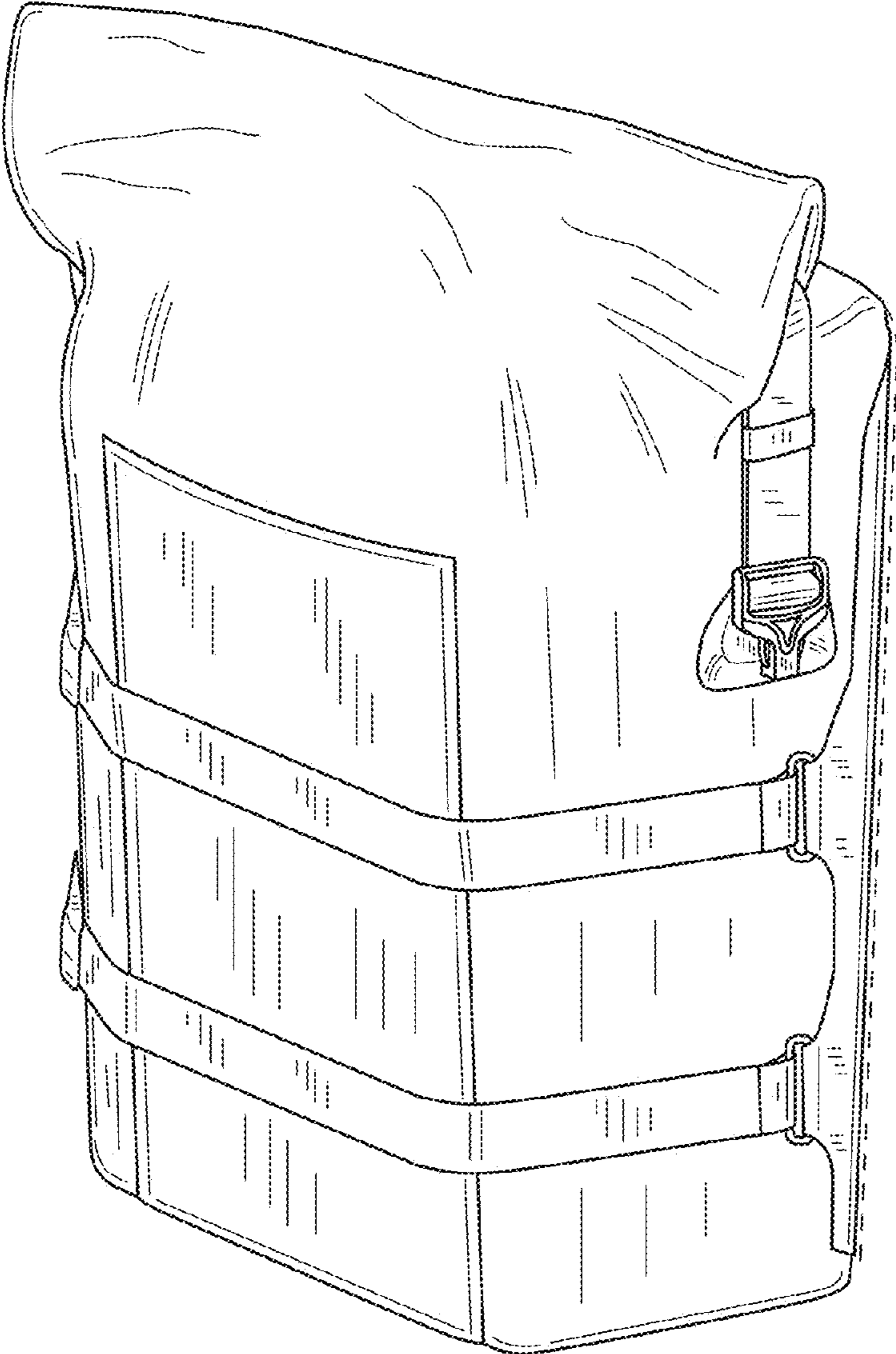


FIG.8

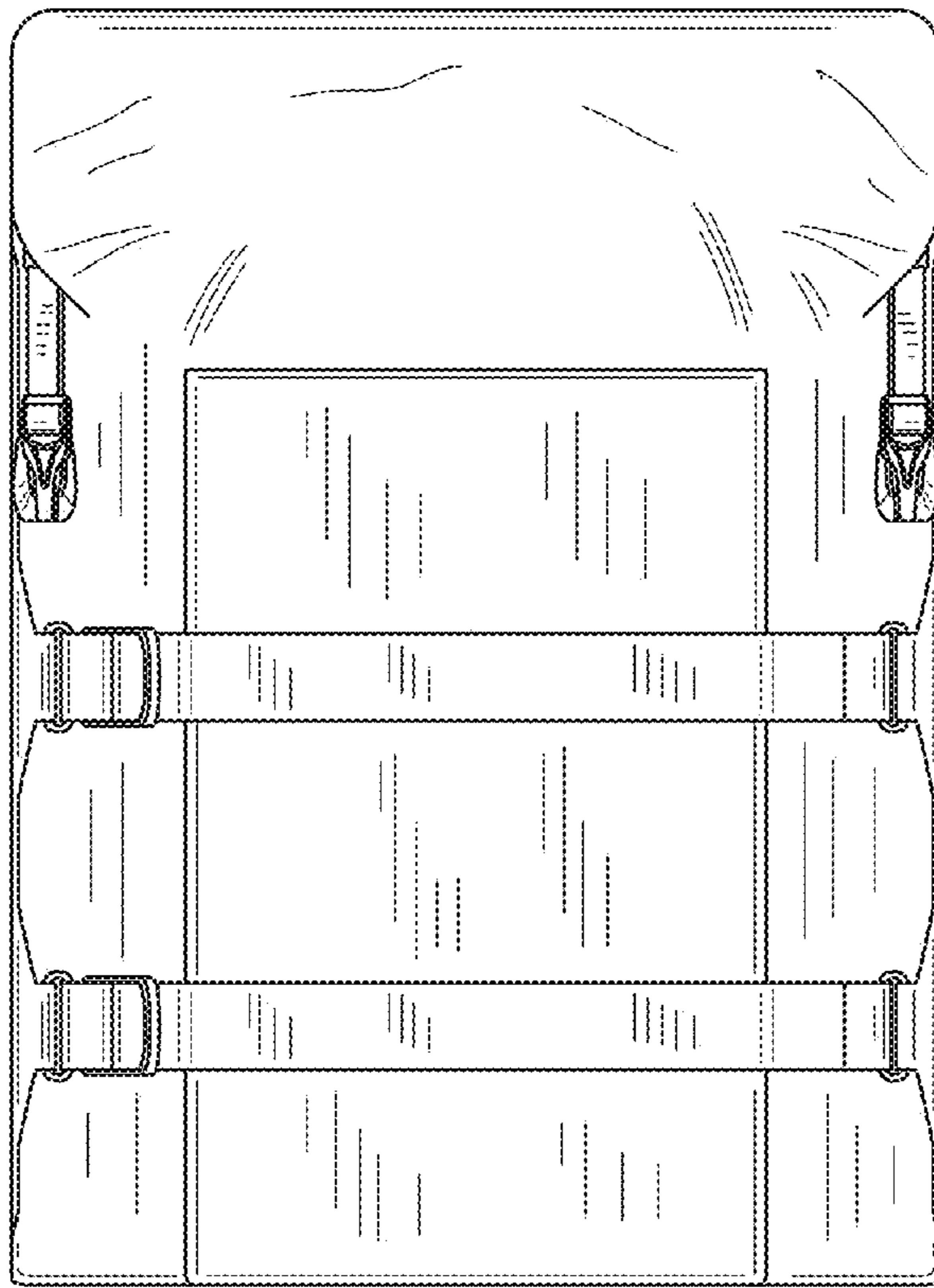


FIG. 9

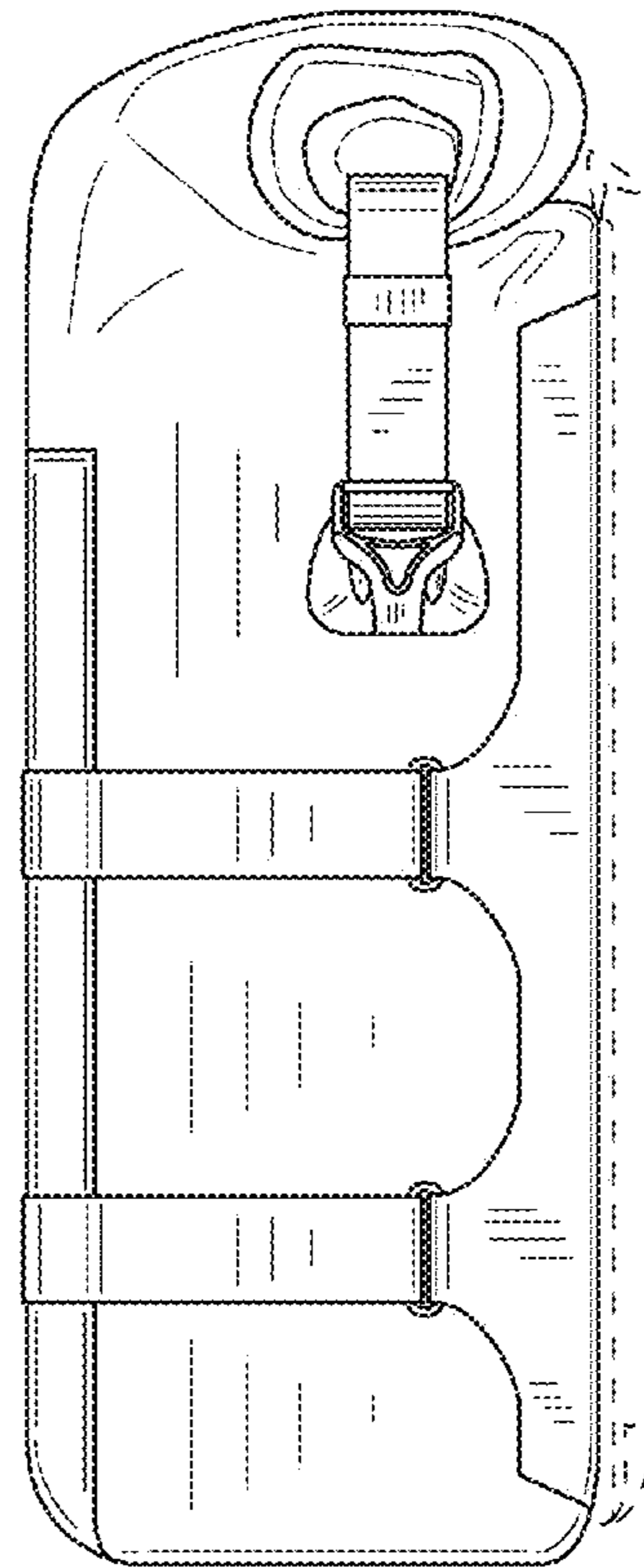


FIG. 10

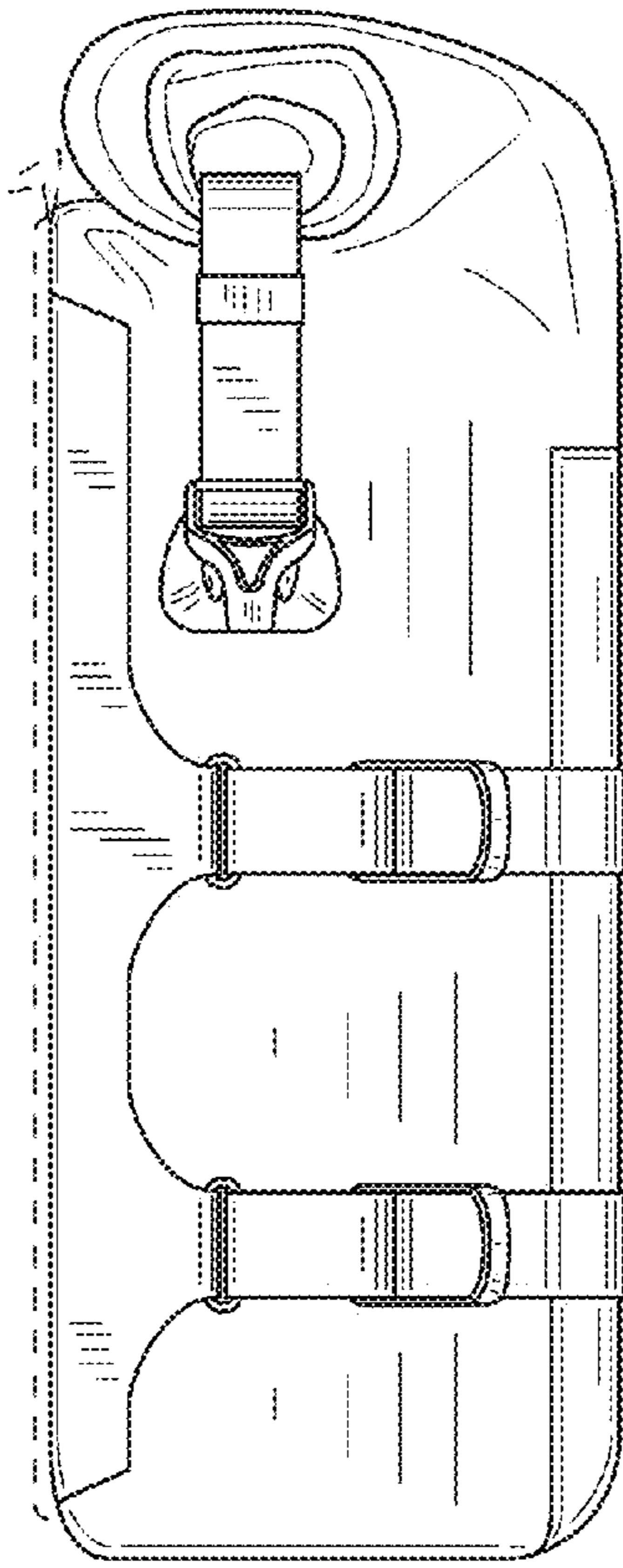


FIG. 11

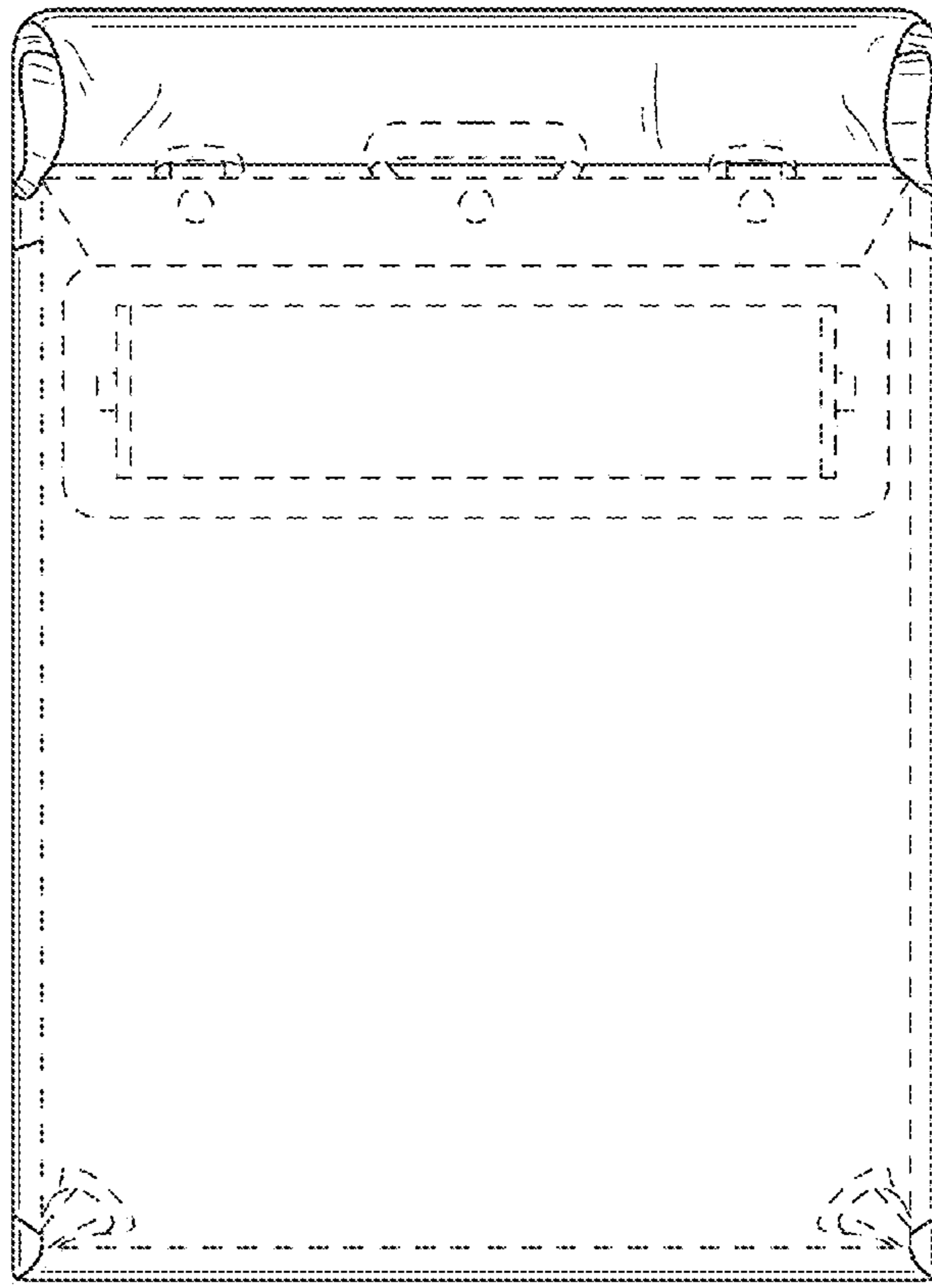


FIG. 12



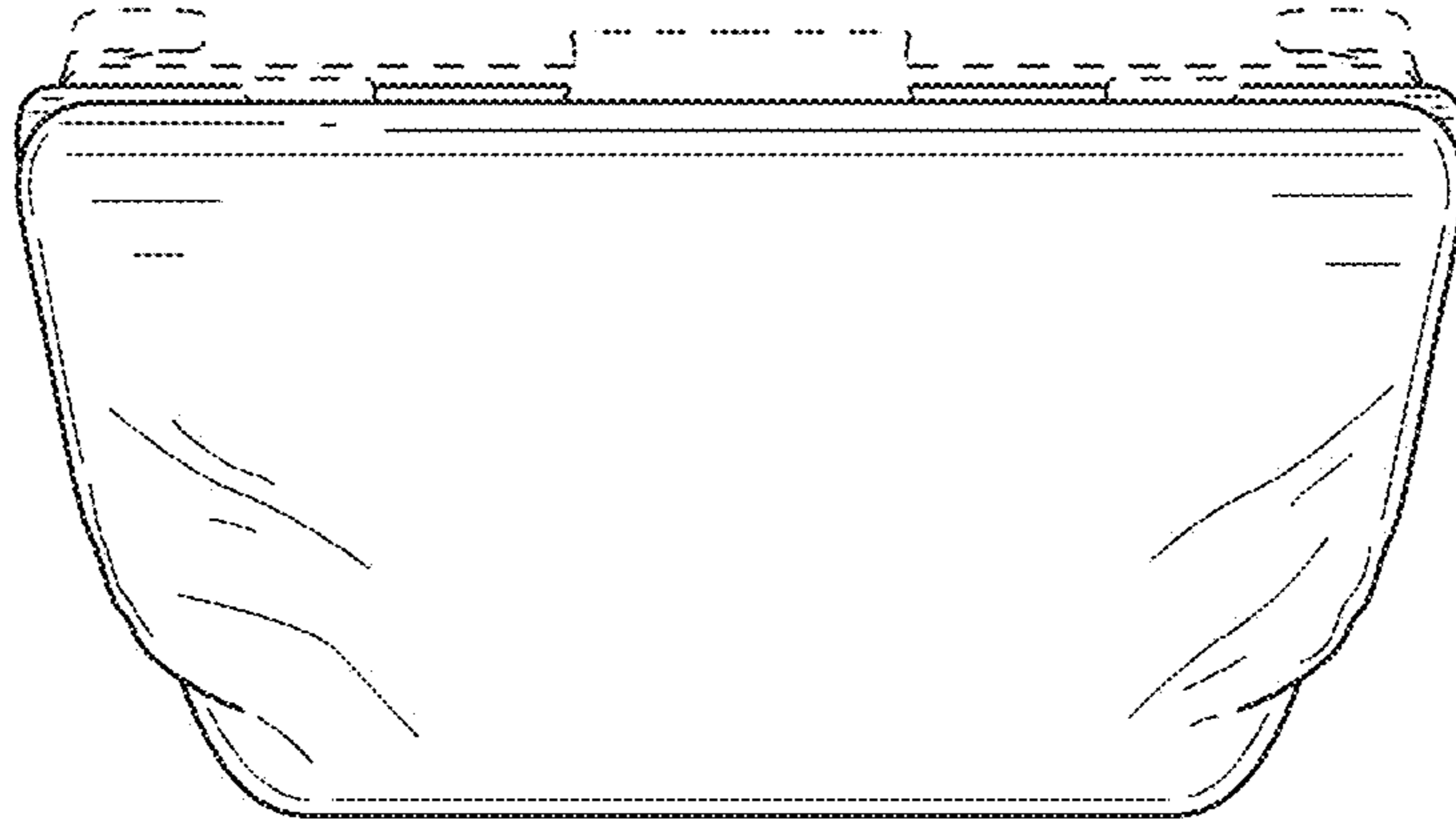


FIG. 13

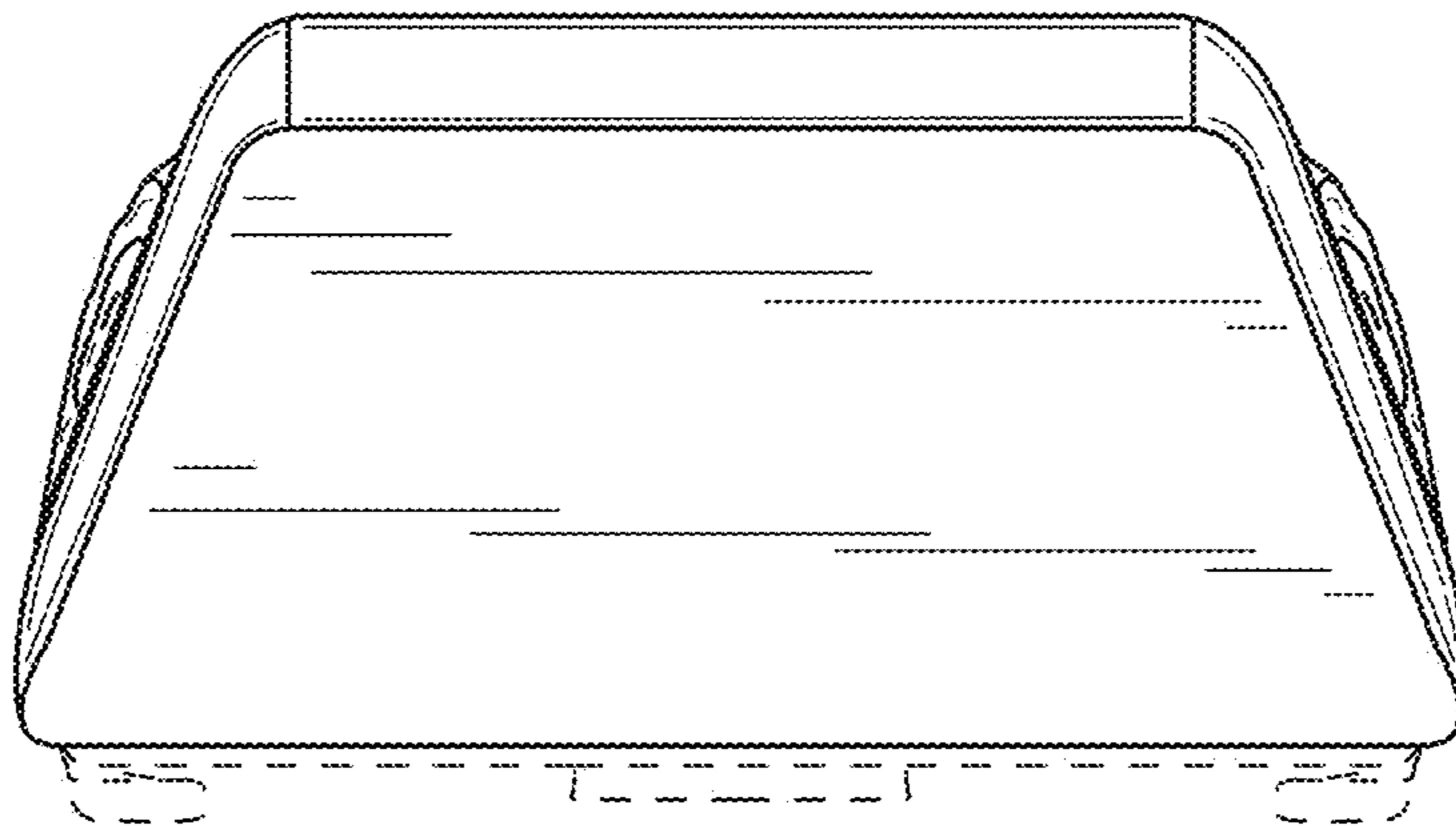


FIG. 14