



US00D706534S

(12) **United States Design Patent**  
**Zwetzig**

(10) **Patent No.:** **US D706,534 S**  
(45) **Date of Patent:** **\*\* Jun. 10, 2014**

- (54) **BACKPACK**
- (71) Applicant: **Thule Organization Solutions, Inc.**,  
Longmont, CO (US)
- (72) Inventor: **Nathan R. Zwetzig**, Westminster, CO  
(US)
- (73) Assignee: **Thule Organization Solutions, Inc.**,  
Longmont, CO (US)
- (\*\*) Term: **14 Years**
- (21) Appl. No.: **29/441,556**
- (22) Filed: **Jan. 7, 2013**
- (51) **LOC (10) Cl.** ..... **03-01**
- (52) **U.S. Cl.**  
USPC ..... **D3/216; D3/217**
- (58) **Field of Classification Search**  
USPC ..... D3/201, 213, 214, 215, 216, 217, 218,  
D3/231, 232, 267, 273, 289, 290; 224/153,  
224/155, 575, 578, 579, 581, 586, 613, 617,  
224/627, 637, 644, 645, 650, 653, 657;  
5/413 R; 441/80; 290/10  
See application file for complete search history.

D511,620 S	11/2005	Van Himbeeck	
D548,455 S *	8/2007	Aliberti et al. ....	D3/216
D550,448 S *	9/2007	Boje et al. ....	D3/217
D553,349 S *	10/2007	Aliberti et al. ....	D3/216
D560,069 S	1/2008	Greiner	
D567,505 S *	4/2008	Le Coq et al. ....	D3/260
D604,503 S *	11/2009	Patadia et al. ....	D3/217
7,617,956 B1 *	11/2009	Sabbah	224/153
7,851,932 B2 *	12/2010	Rome et al. ....	290/10
D641,973 S *	7/2011	Quehl	D3/217
7,971,764 B2	7/2011	Sabbah	
D642,791 S *	8/2011	Quehl	D3/217
D651,794 S	1/2012	Hargens et al.	
8,123,581 B2 *	2/2012	Aschauer	441/80

(Continued)

**OTHER PUBLICATIONS**

U.S. Appl. No. 29/432,002, filed Sep. 12, 2012, Taylor.

(Continued)

*Primary Examiner* — Caron D Veynar  
*Assistant Examiner* — Martie K Holtje  
(74) *Attorney, Agent, or Firm* — Sheridan Ross P.C.

(57) **CLAIM**  
The ornamental design for a backpack, as shown and described.

(56) **References Cited**

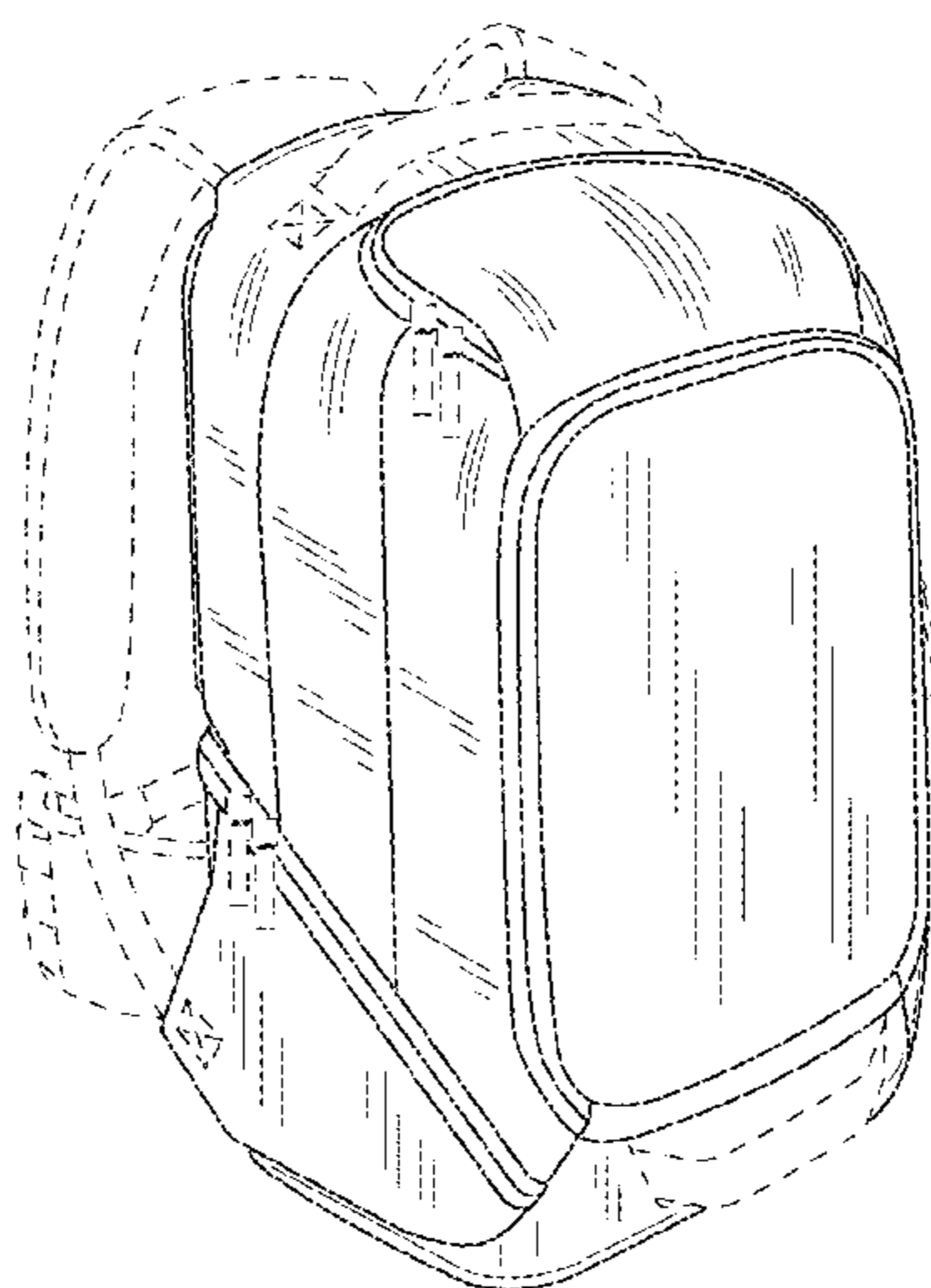
**U.S. PATENT DOCUMENTS**

D197,546 S *	2/1964	Motokane	.....	D3/267
4,018,369 A	4/1977	Jaeger		
D249,189 S	8/1978	Stewart		
4,318,502 A	3/1982	Lowe et al.		
4,368,835 A	1/1983	Murphy		
4,420,103 A	12/1983	Douglass		
6,164,509 A	12/2000	Gausling et al.		
D441,186 S	5/2001	Daboudet		
6,243,892 B1	6/2001	Kelling		
D451,274 S *	12/2001	Kegels	.....	D3/217
D461,048 S *	8/2002	Blanking	.....	D3/216
D488,926 S	4/2004	Domotor		
D510,660 S	10/2005	Suppangig		

**DESCRIPTION**

FIG. 1 is a front perspective view of the backpack;  
FIG. 2 is a front elevation view thereof;  
FIG. 3 is a right side view thereof;  
FIG. 4 is a left elevation view thereof;  
FIG. 5 is a rear elevation view thereof;  
FIG. 6 is a top plan view thereof; and,  
FIG. 7 is a bottom plan view thereof.  
The structural elements depicted by broken lines in the drawing have been provided for the purpose of illustrating portions of the backpack that form no part of the claimed design.

**1 Claim, 4 Drawing Sheets**



(56)

**References Cited**

U.S. PATENT DOCUMENTS

D655,082 S 3/2012 LaCorte  
D657,140 S 4/2012 Guyon et al.  
8,157,138 B2\* 4/2012 Leyendecker ..... 224/637  
2008/0029562 A1 2/2008 Hawkins et al.

OTHER PUBLICATIONS

U.S. Appl. No. 29/432,004, filed Sep. 12, 2012, Taylor.  
U.S. Appl. No. 29/432,006, filed Sep. 12, 2012, Taylor.  
U.S. Appl. No. 29/441,555, filed Jan. 7, 2013, Zwetzig.

U.S. Appl. No. 29/458,160, filed Jun. 17, 2013, Mather.  
U.S. Appl. No. 29/458,162, filed Jun. 17, 2013, Mather.  
U.S. Appl. No. 29/458,164, filed Jun. 17, 2013, Mather.  
U.S. Appl. No. 29/459,581, filed Jul. 1, 2013, Zwetzig.  
Notice of Allowance for U.S. Appl. No. 29/432,002 mailed Sep. 30,  
2013, 10 pages.  
Official Action for U.S. Appl. No. 29/432,004 mailed Sep. 25, 2013,  
8 pages.  
Notice of Allowance for U.S. Appl. No. 29/432,006 mailed Dec. 20,  
2013, 10 pages.  
Notice of Allowance for U.S. Appl. No. 29/441,555 mailed Oct. 1,  
2013, 7 pages.

\* cited by examiner

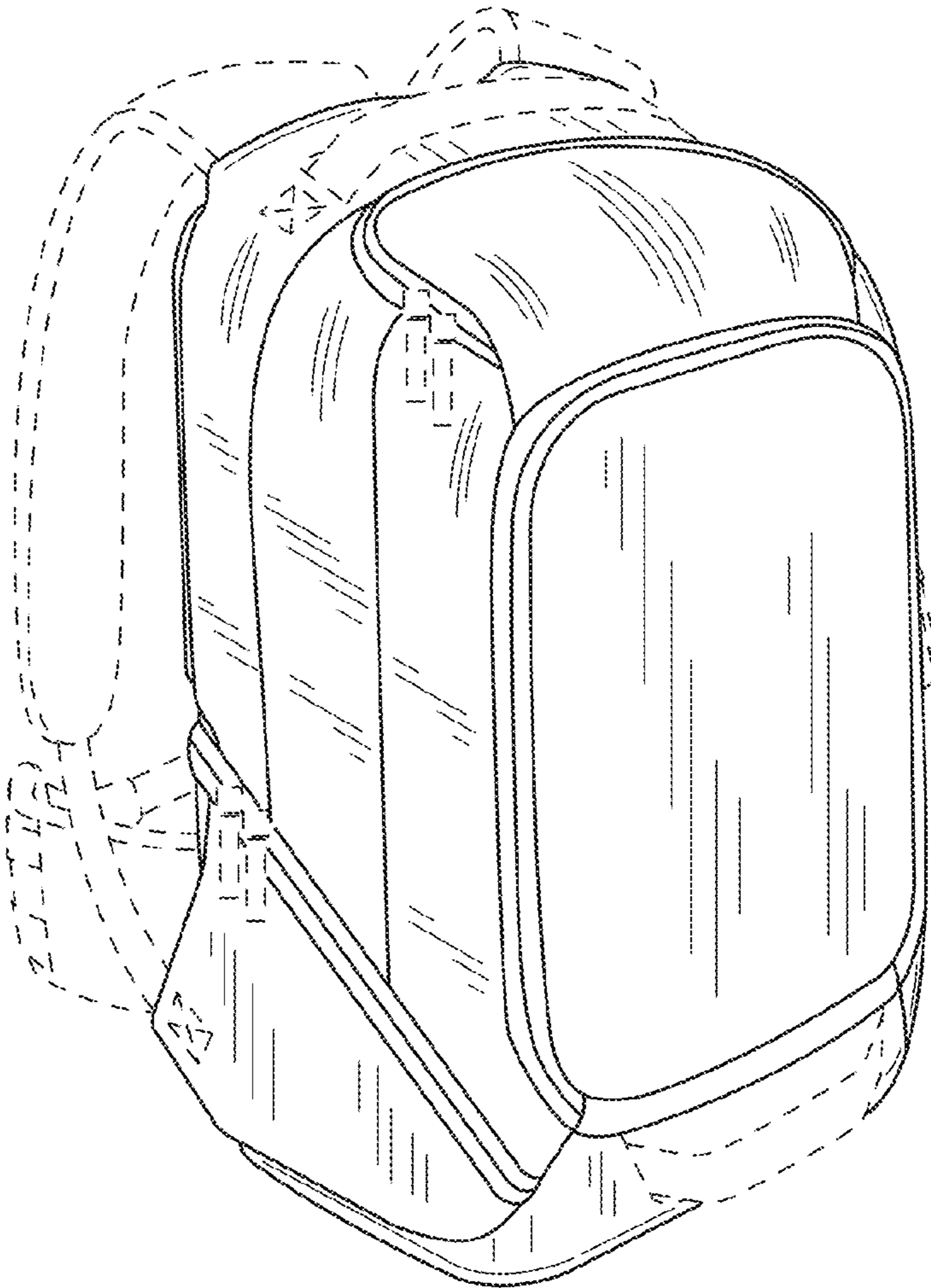


FIG.1

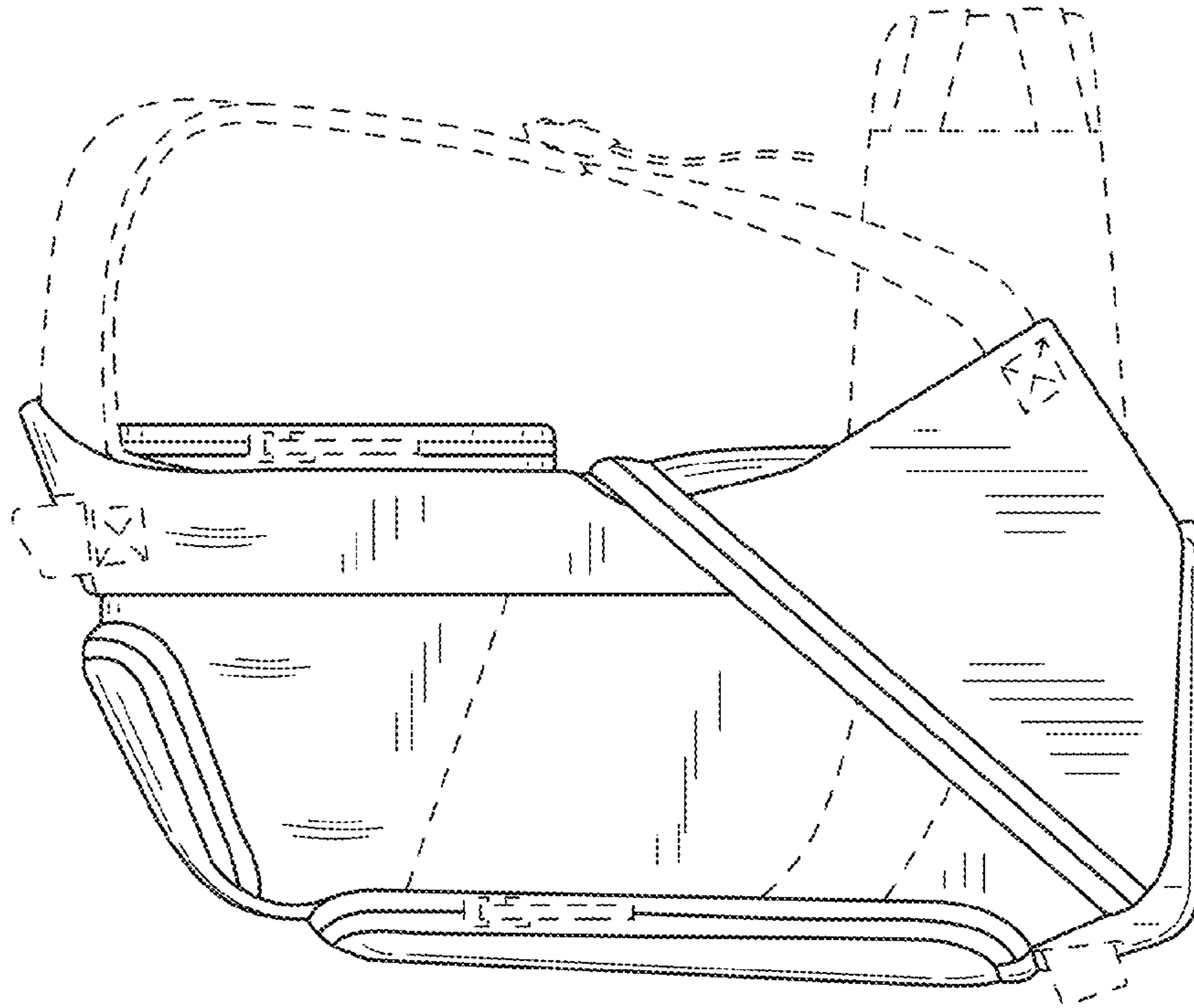


FIG.3

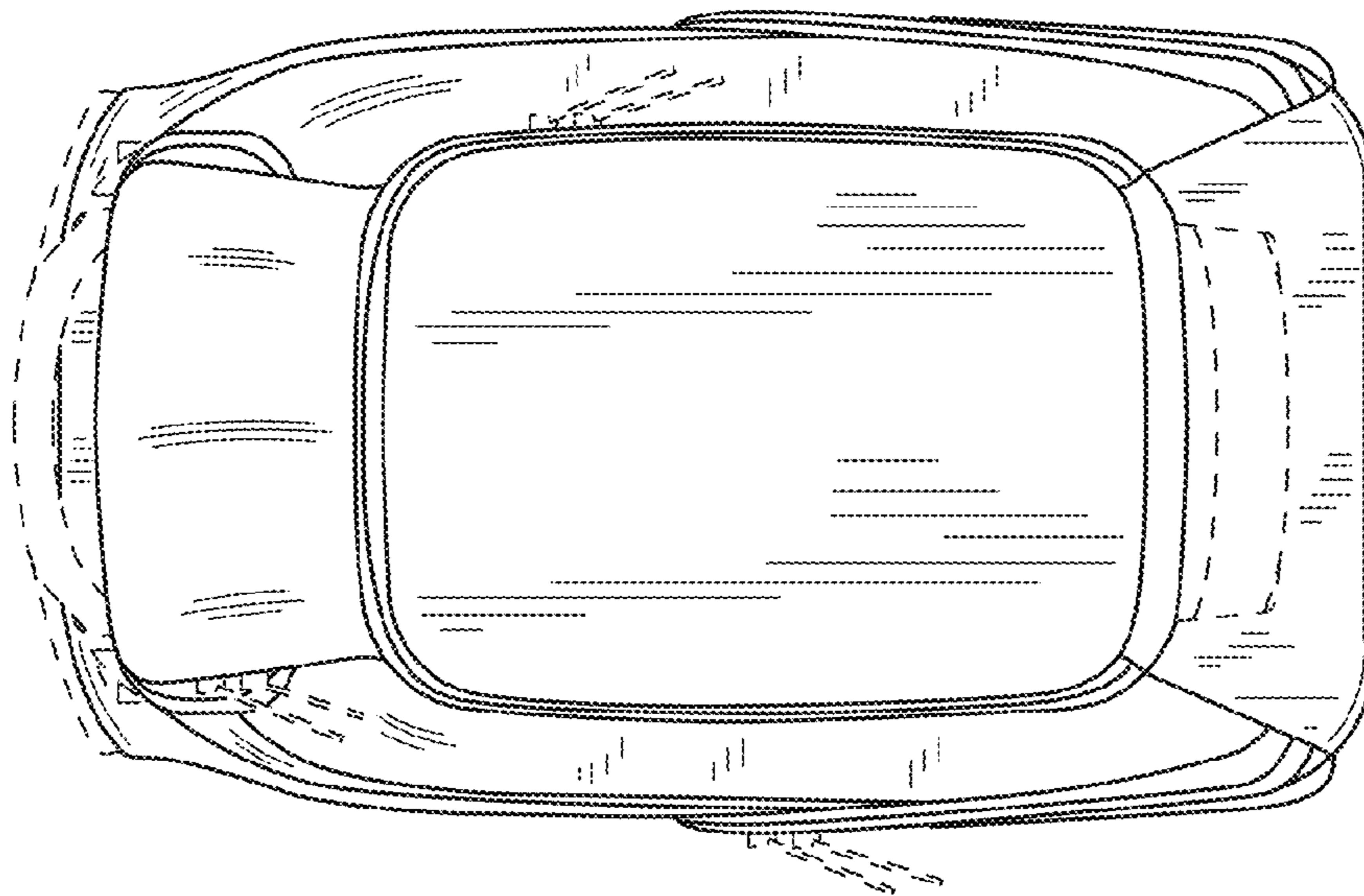


FIG.2

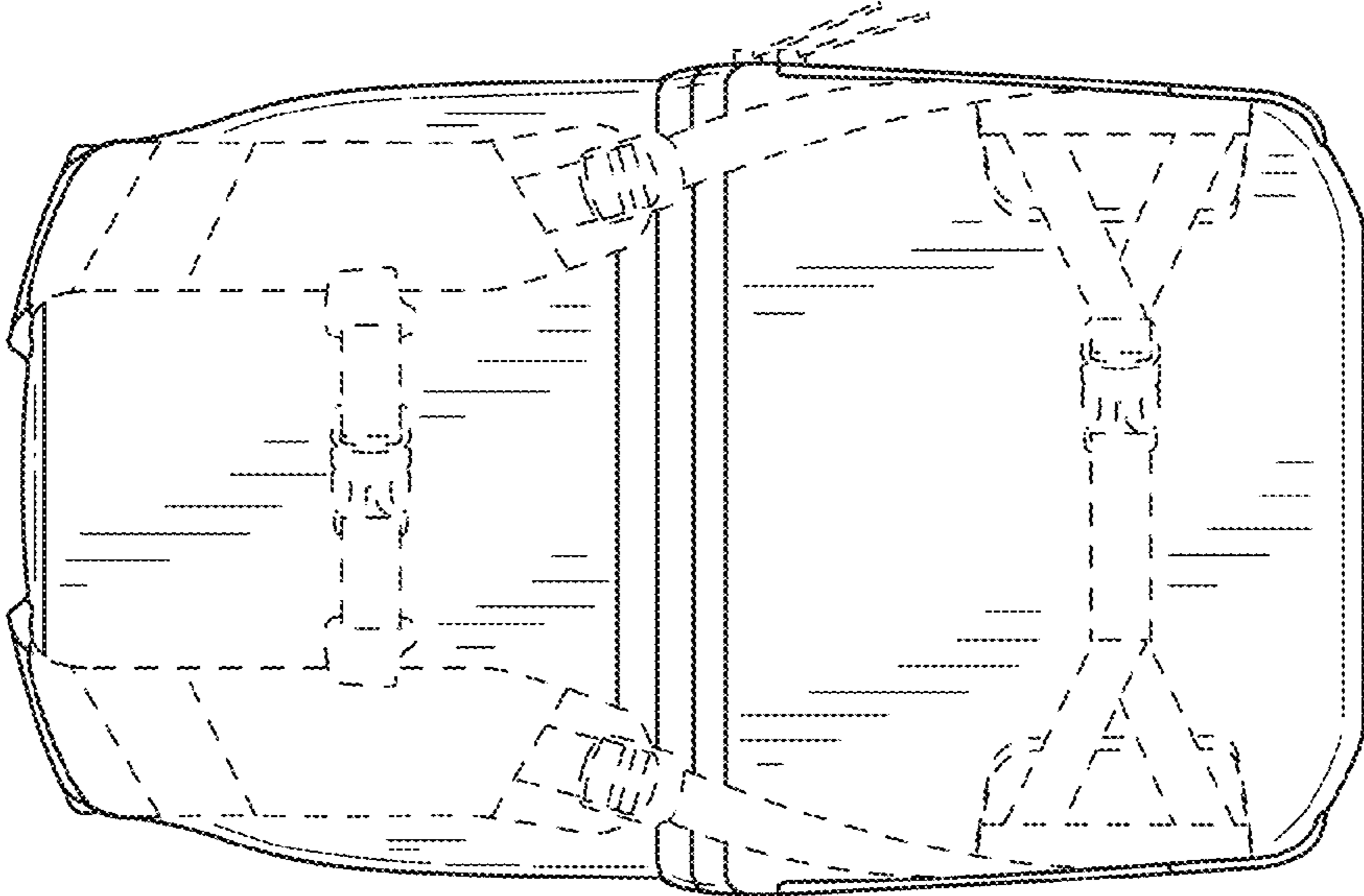


FIG. 5

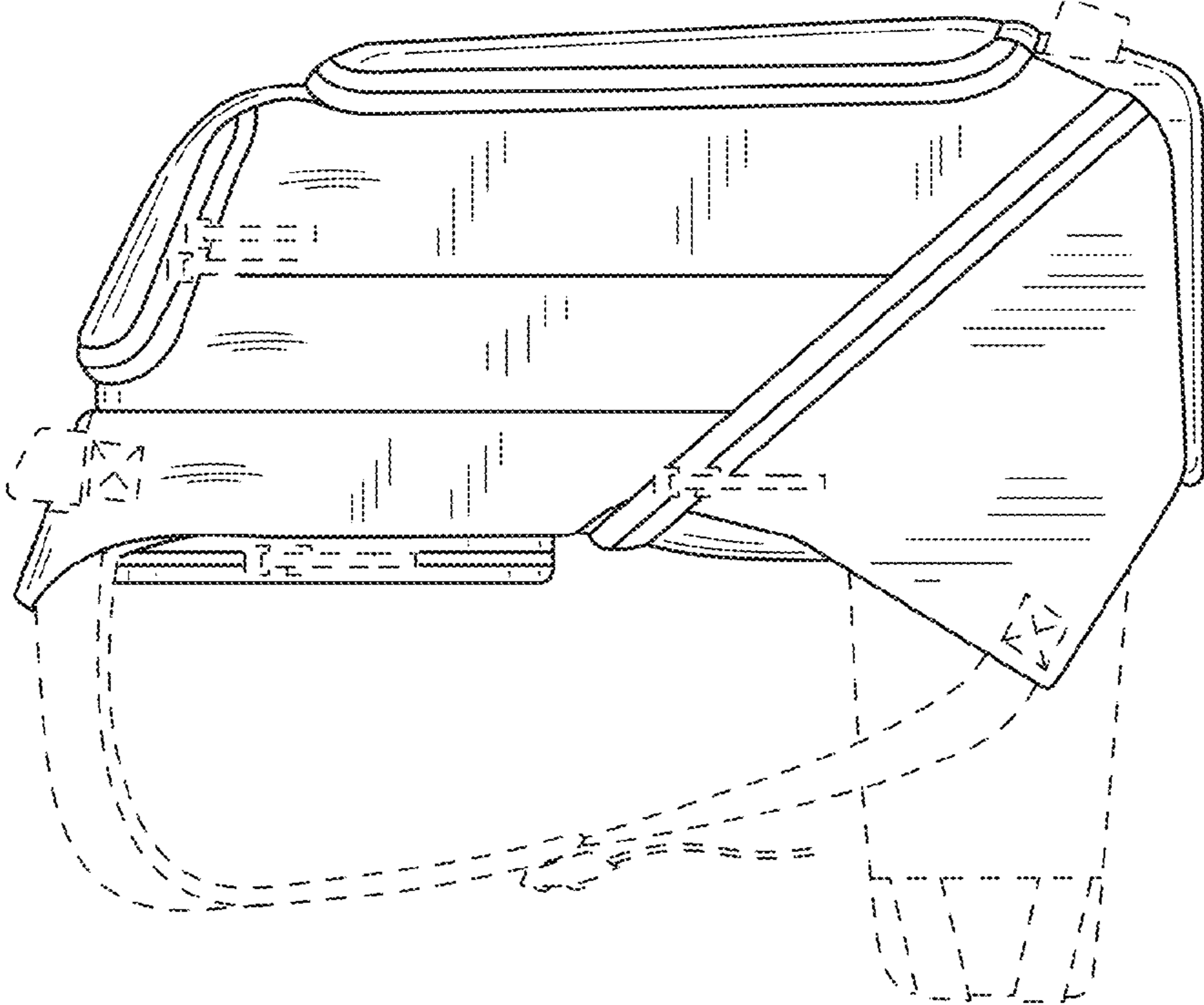


FIG. 4

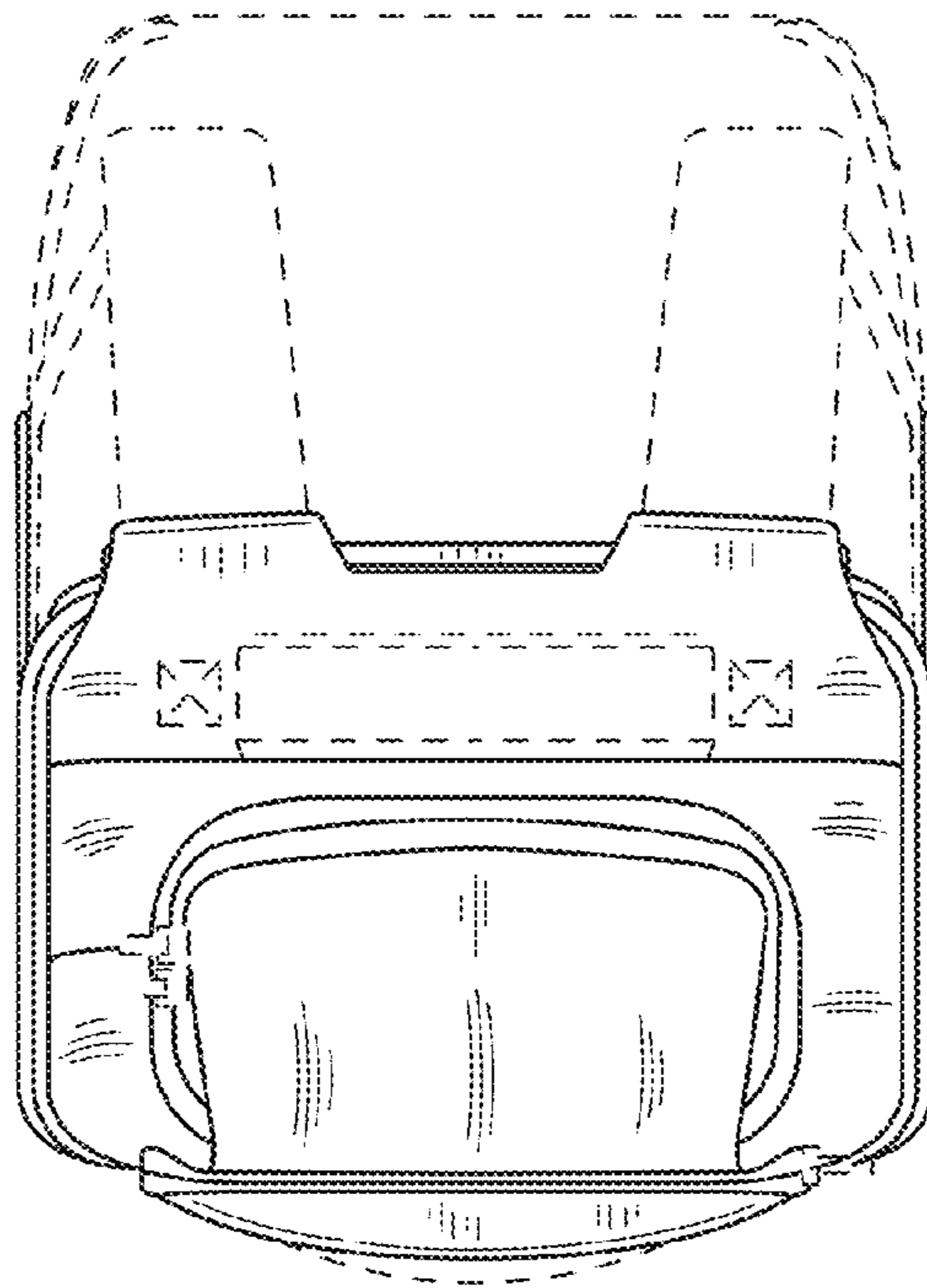


FIG. 6

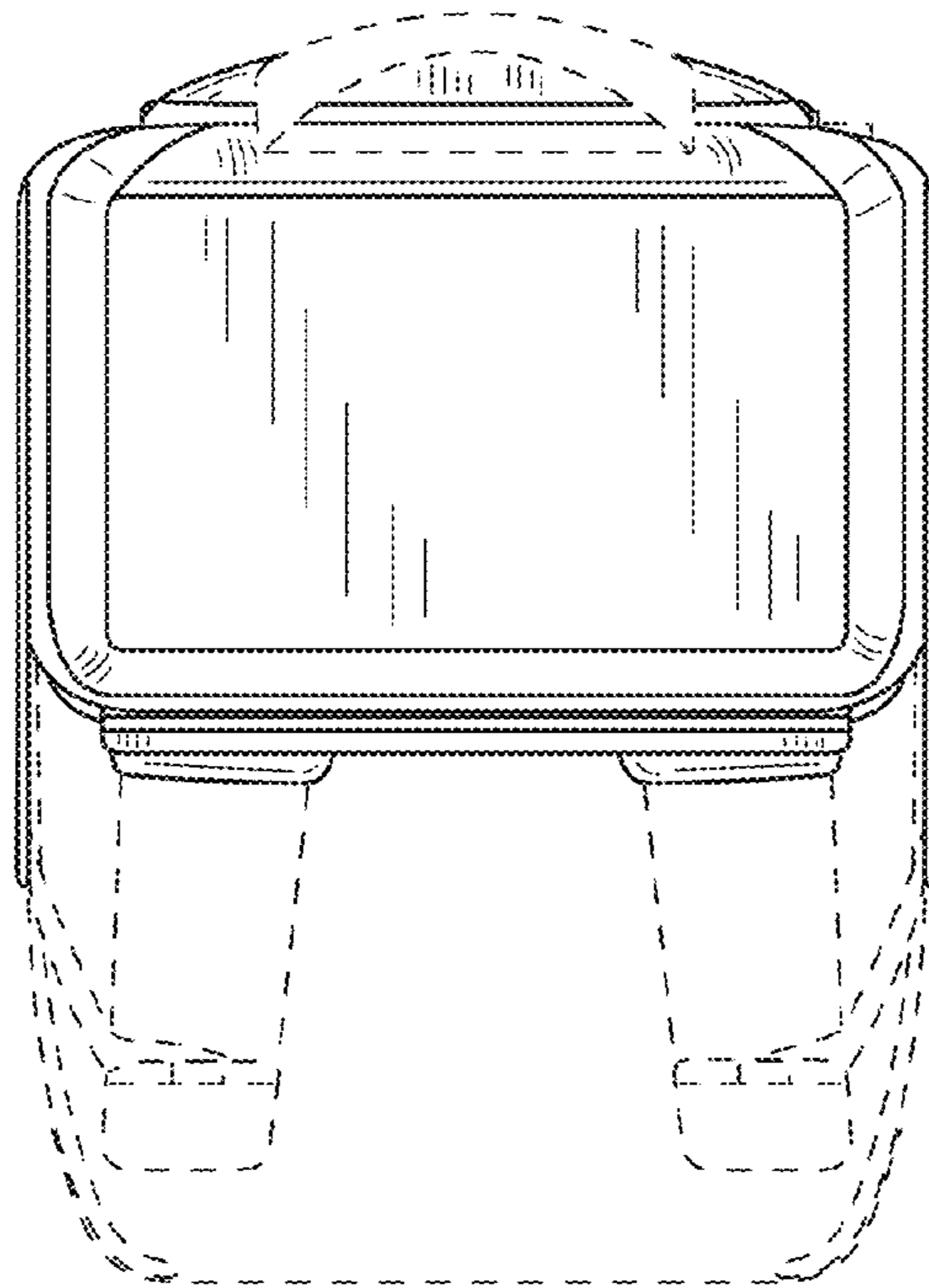


FIG. 7