

US00D706532S

(12) **United States Design Patent**
Wilbur

(10) **Patent No.:** **US D706,532 S**
(45) **Date of Patent:** **** Jun. 10, 2014**

(54) **COMBINED ANKLE BRACELET AND ARTICLE HOLDER**

(71) Applicant: **Evelt Wilbur**, Forestville, CA (US)

(72) Inventor: **Evelt Wilbur**, Forestville, CA (US)

(**) Term: **14 Years**

(21) Appl. No.: **29/470,426**

(22) Filed: **Oct. 21, 2013**

(51) **LOC (10) Cl.** **03-01**

(52) **U.S. Cl.**
USPC **D3/215**

(58) **Field of Classification Search**

USPC D3/215, 218, 221, 224, 226, 228;
224/148.2, 148.3, 148.5, 148.7, 219,
224/222, 267, 269; 222/175, 186, 212
See application file for complete search history.

(56) **References Cited**

U.S. PATENT DOCUMENTS

4,763,821	A *	8/1988	Powell	224/267
5,148,949	A *	9/1992	Luca	222/175
5,314,102	A *	5/1994	Roy	224/586
D507,103	S *	7/2005	Charles, Jr.	D3/215
D512,832	S *	12/2005	Charles, Jr.	D3/215
D515,805	S *	2/2006	Jones	D3/215
D637,392	S *	5/2011	Marshall	D3/215
D680,320	S *	4/2013	Kryklywicz	D3/215

* cited by examiner

Primary Examiner — Catheri Oliver-Garcia

(74) *Attorney, Agent, or Firm* — Stainbrook & Stainbrook, LLP; Craig M. Stainbrook

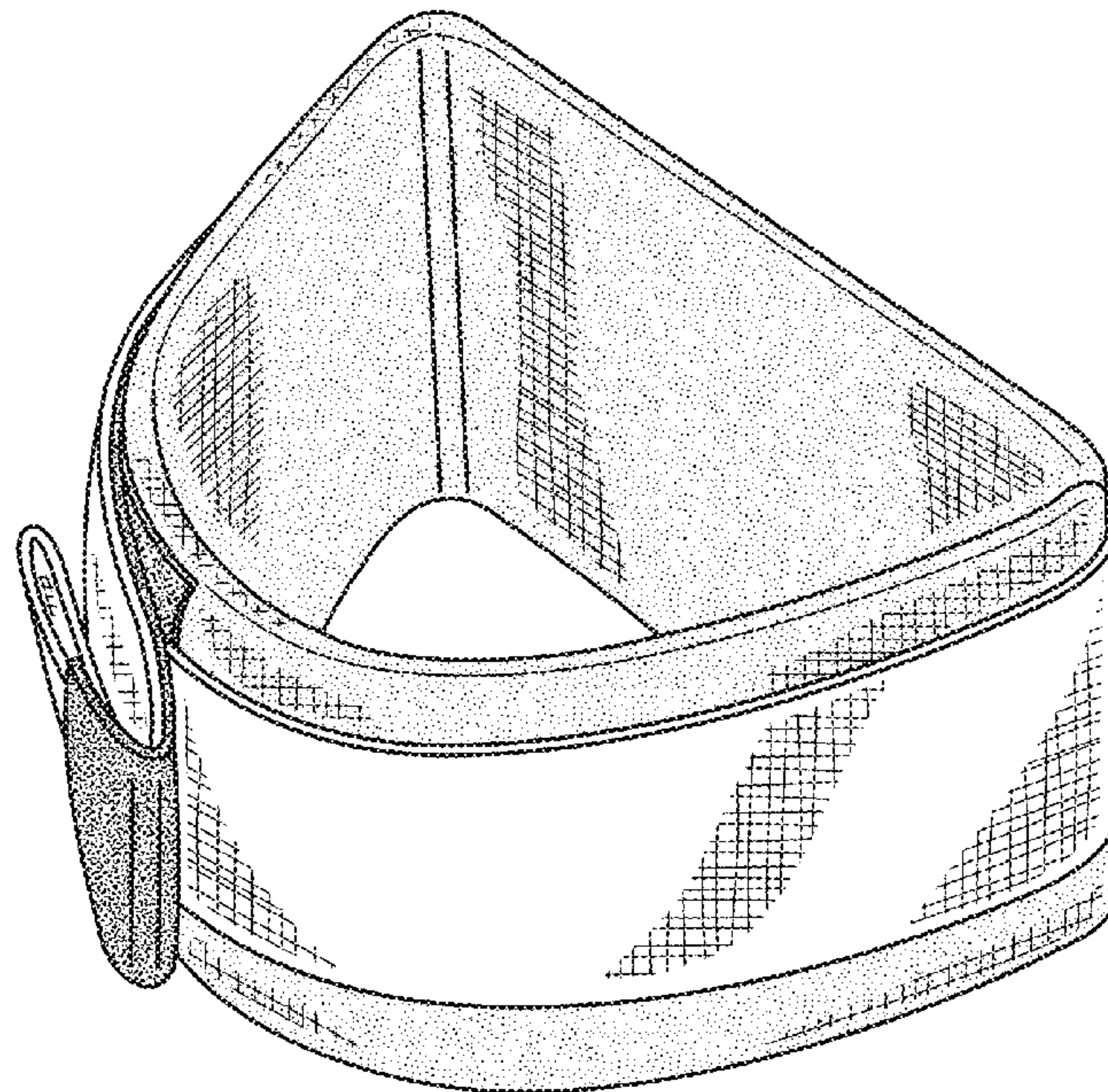
(57) **CLAIM**

The ornamental design for an combined ankle bracelet and article holder, as shown and described.

DESCRIPTION

FIG. 1 is a top right front perspective view of an assembled ankle bracelet;
 FIG. 2 is a top left rear perspective view of an assembled ankle bracelet;
 FIG. 3 is a front elevational view of an assembled ankle bracelet;
 FIG. 4 is a right side elevational view of an assembled ankle bracelet;
 FIG. 5 is a rear elevational view of an assembled ankle bracelet;
 FIG. 6 is a left side elevational view of an assembled ankle bracelet;
 FIG. 7 is a top plan view of an assembled ankle bracelet; the bottom plan view is a mirror image thereof;
 FIG. 8 is a top left front perspective view of a disassembled ankle bracelet;
 FIG. 9 is a front elevational view of a disassembled ankle bracelet;
 FIG. 10 is a right side elevational view of a disassembled ankle bracelet;
 FIG. 11 is a rear elevational view of a disassembled ankle bracelet;
 FIG. 12 is a left side elevational view of a disassembled ankle bracelet; and,
 FIG. 13 is a top plan view of a disassembled ankle bracelet; the bottom plan view is a mirror image thereof.

1 Claim, 4 Drawing Sheets



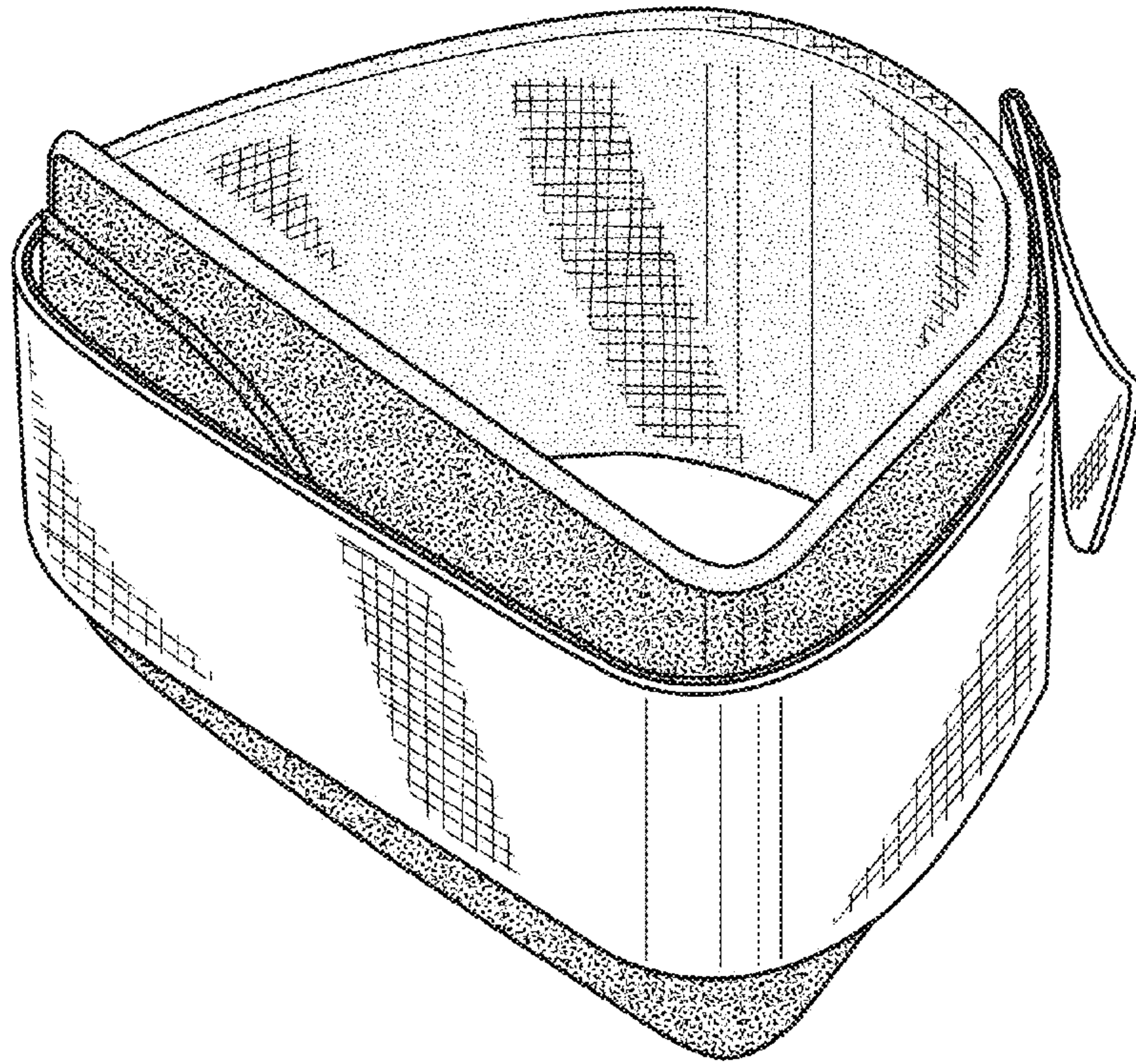


FIG. 1

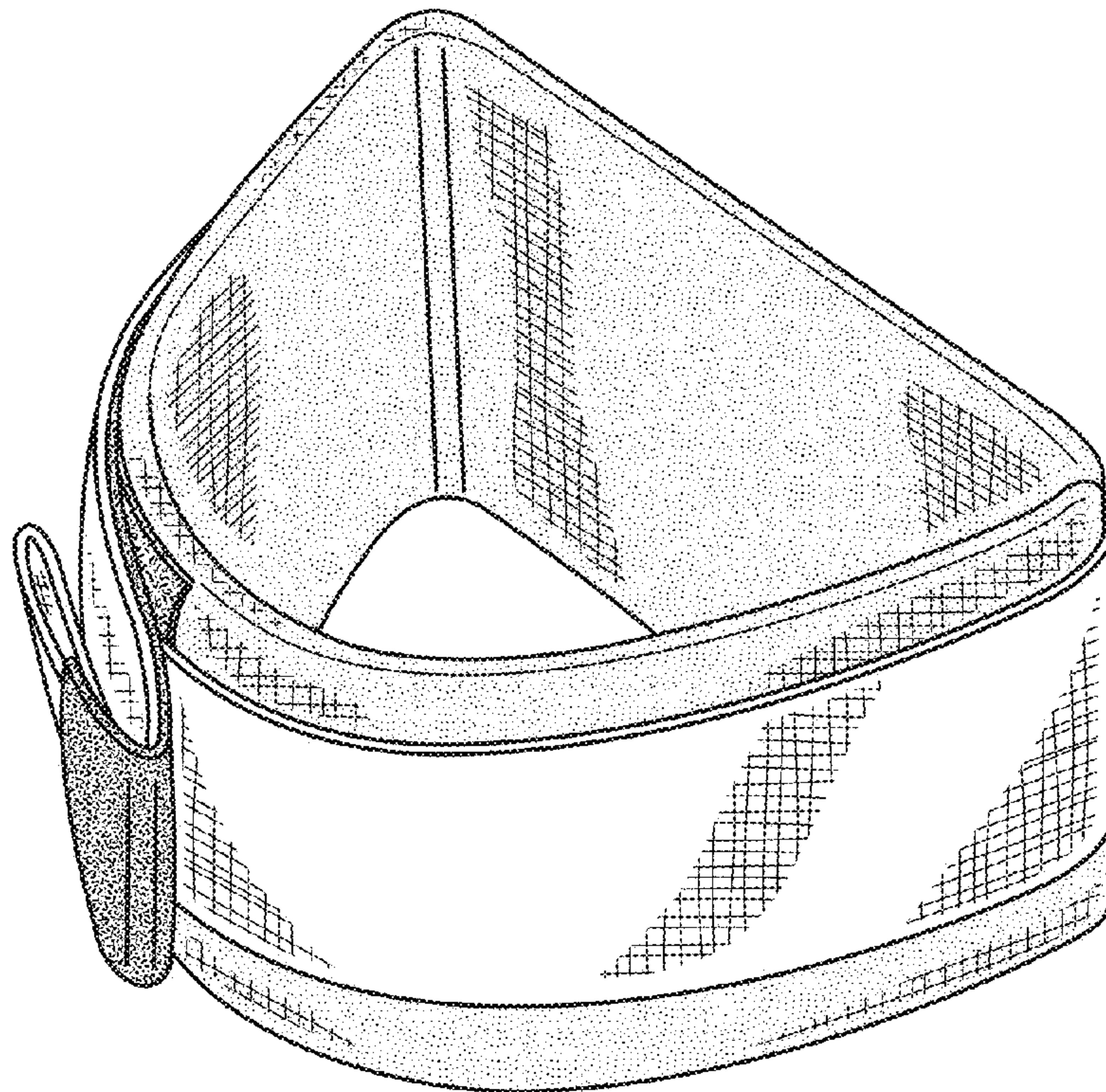


FIG. 2

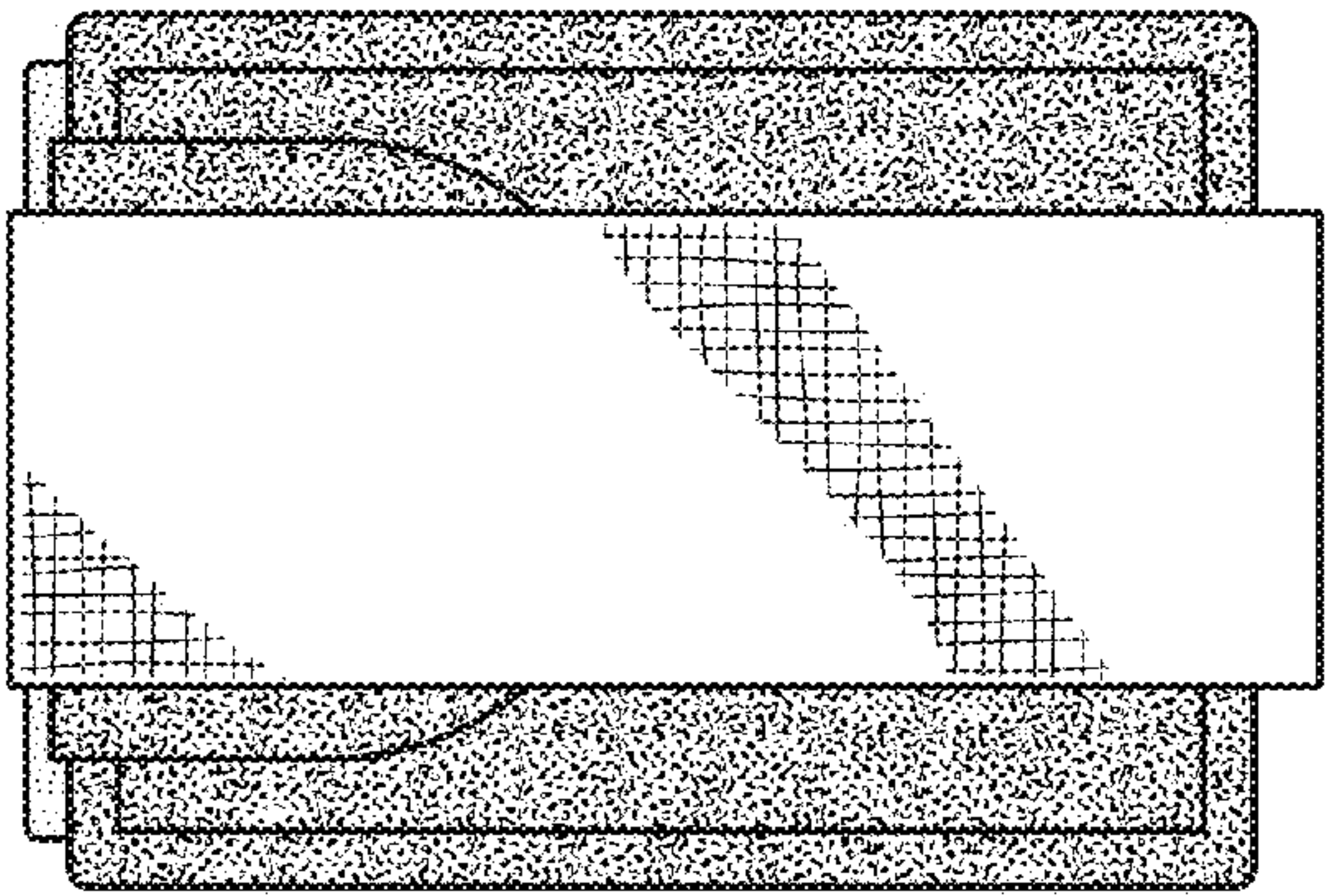


FIG. 3

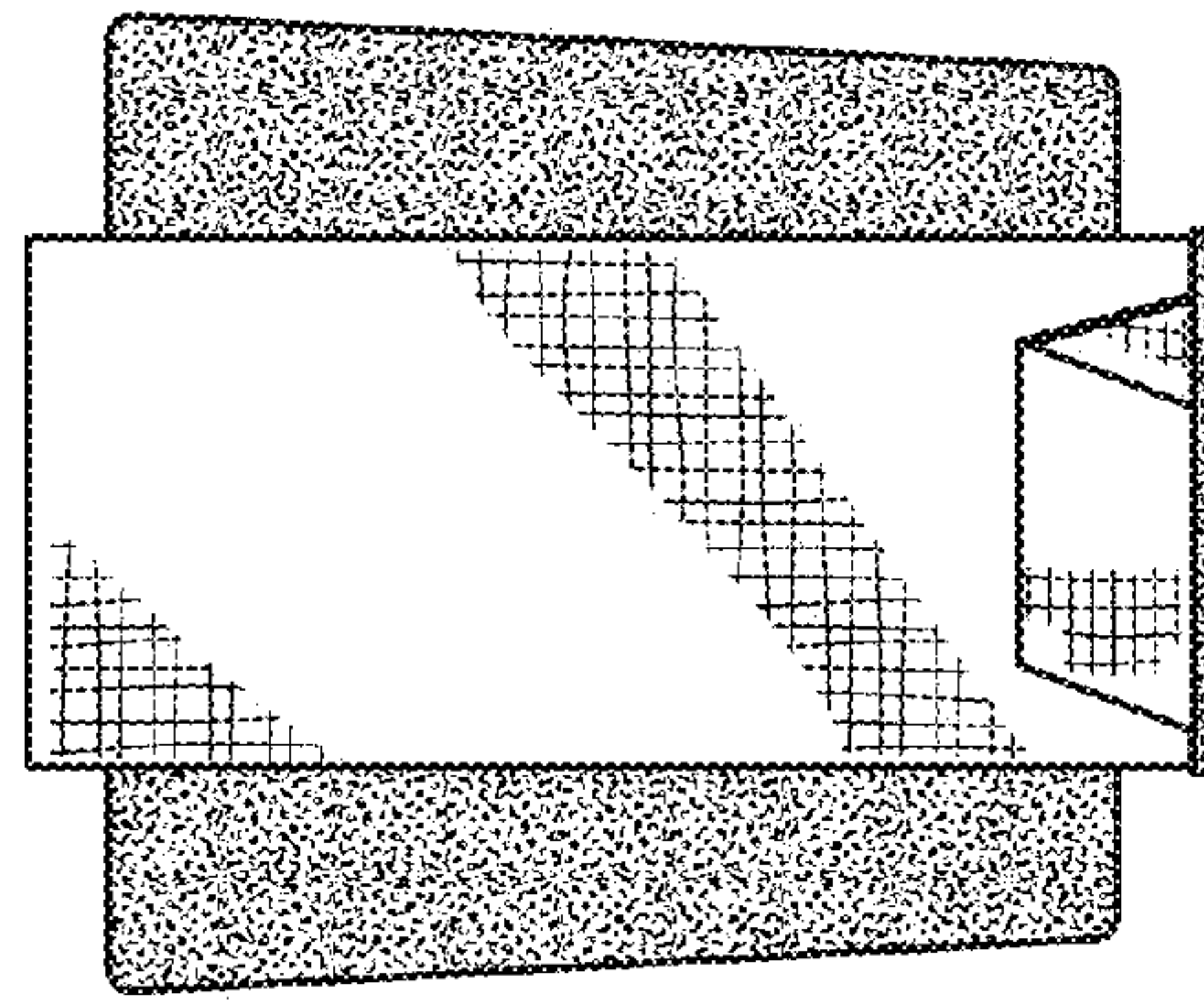


FIG. 4

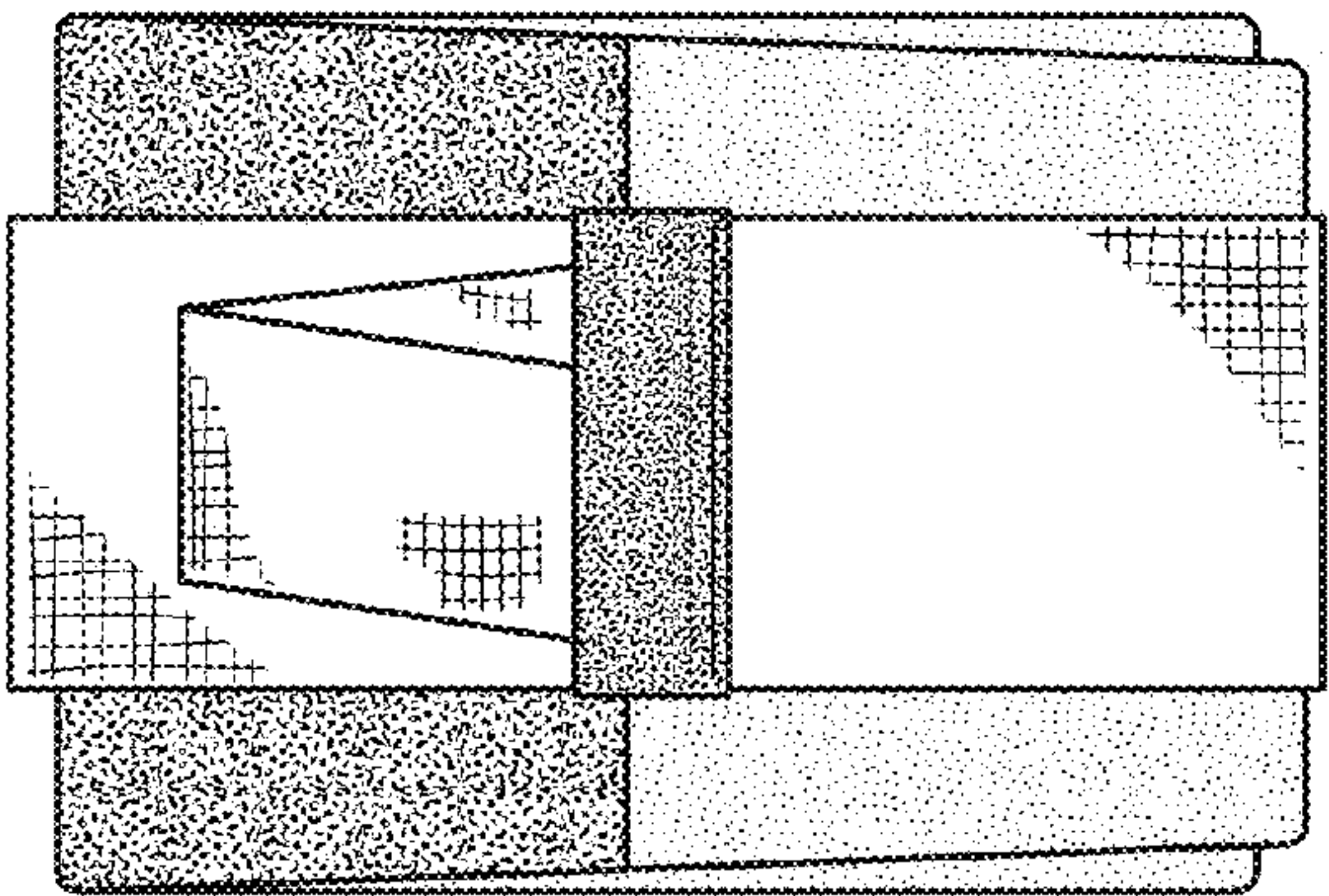


FIG. 5

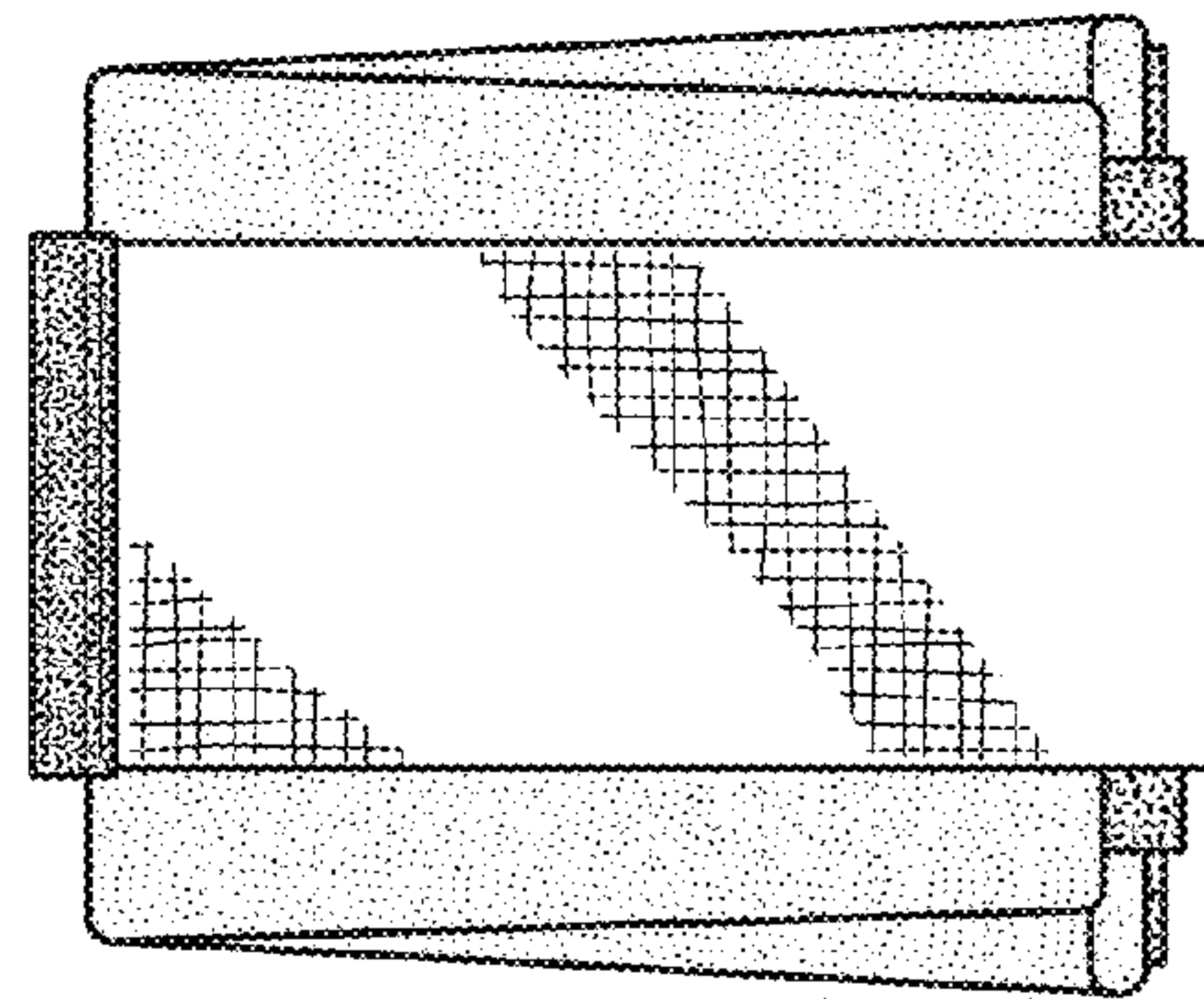


FIG. 6

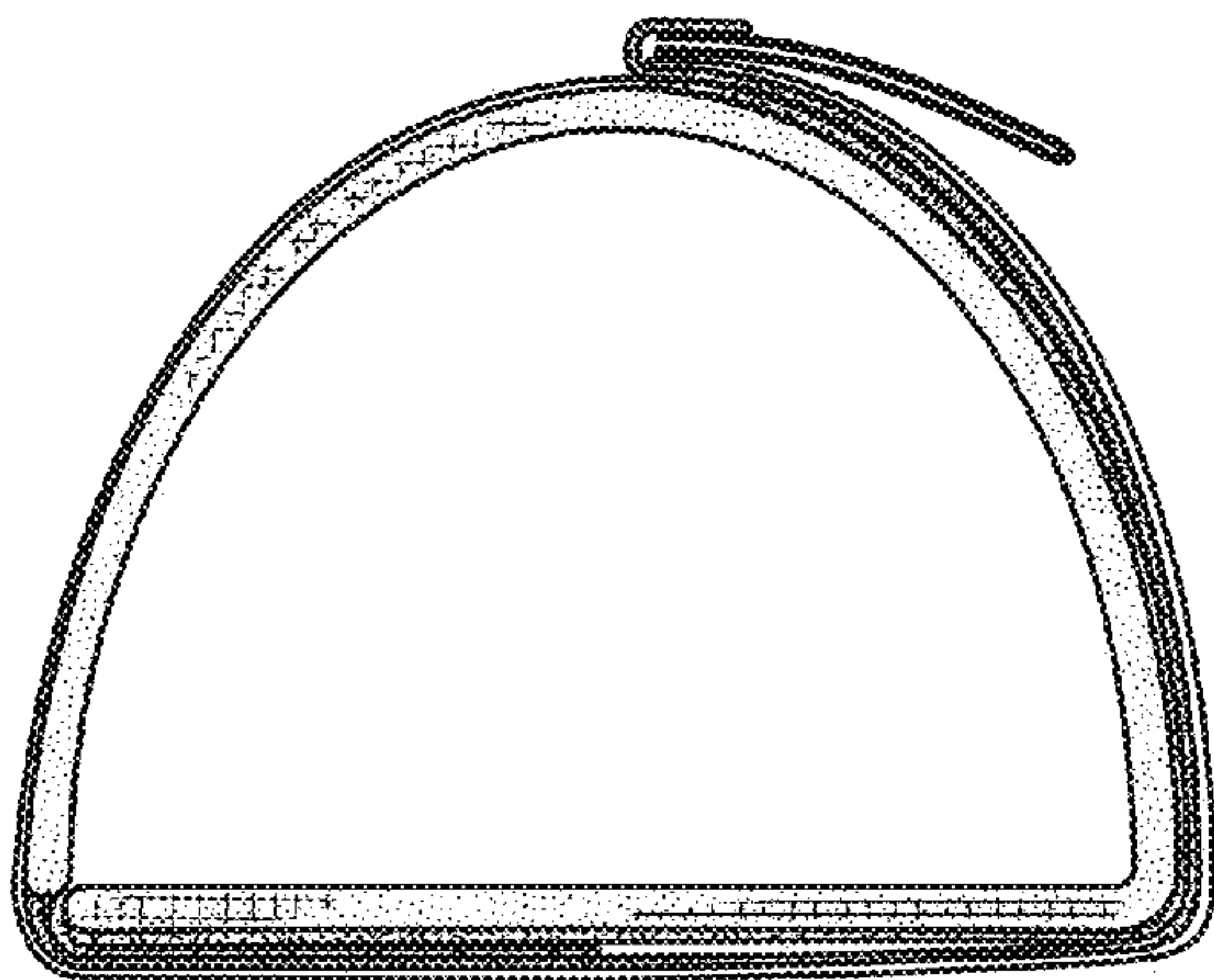


FIG. 7

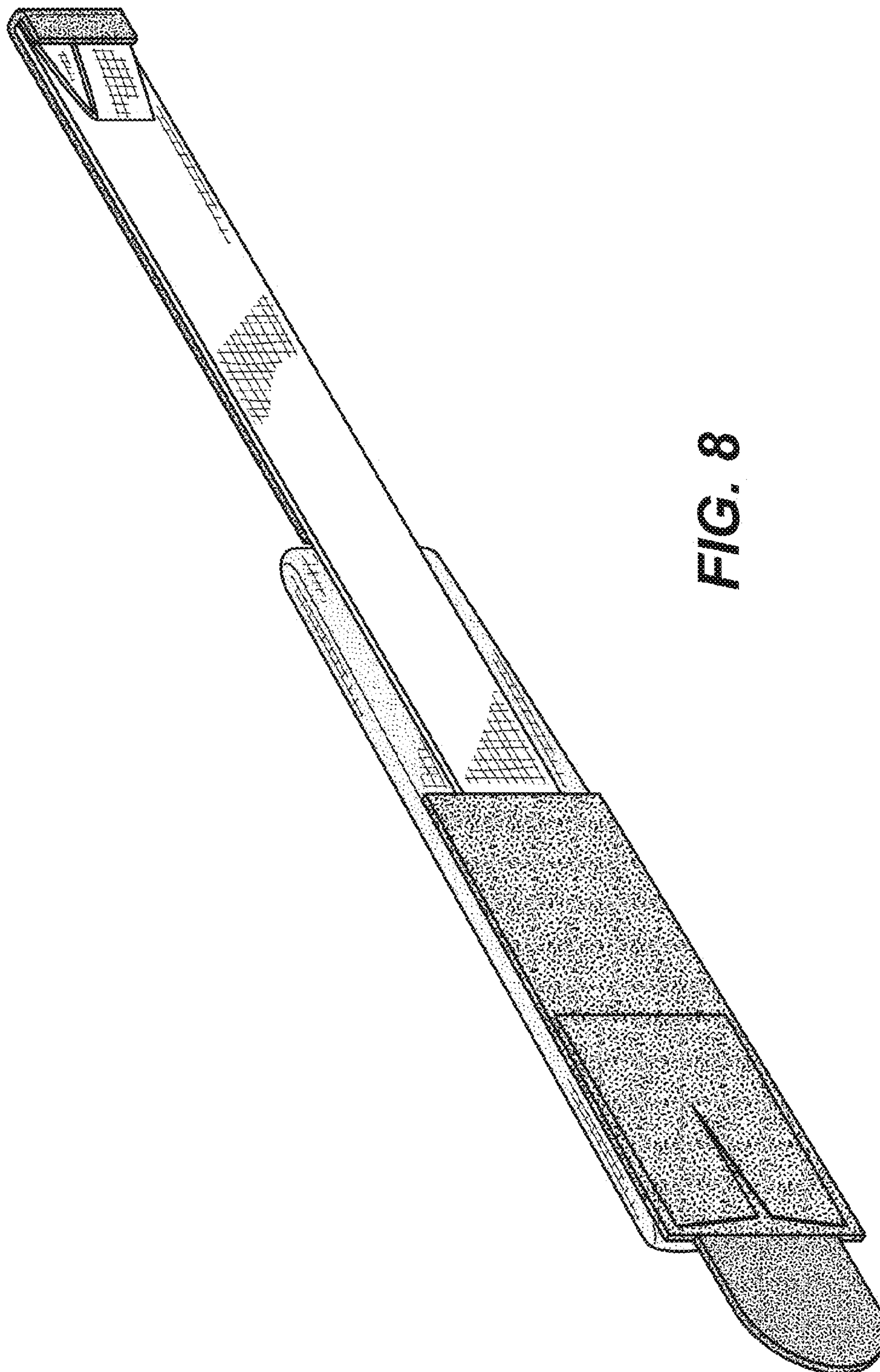


FIG. 8

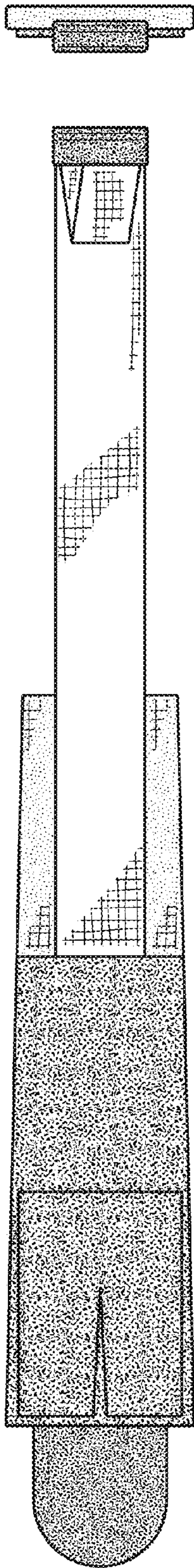


FIG. 9

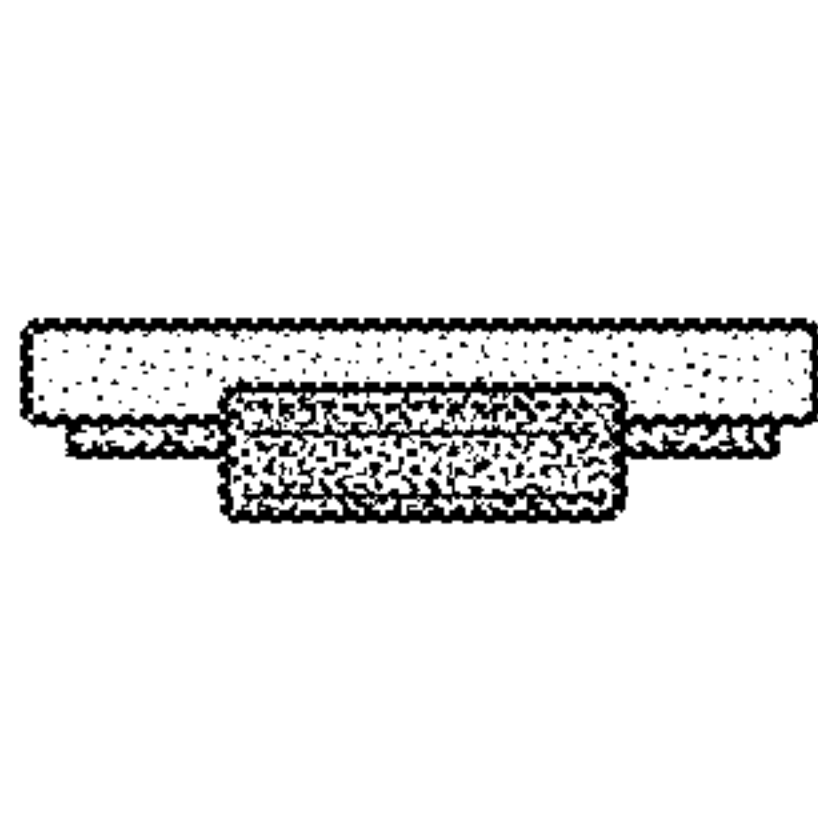


FIG. 10

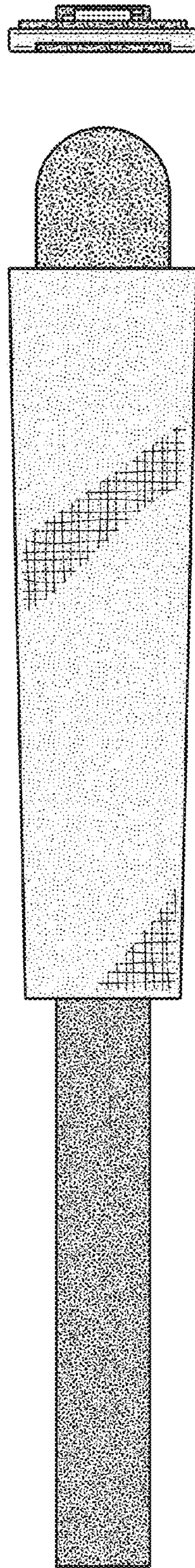


FIG. 11

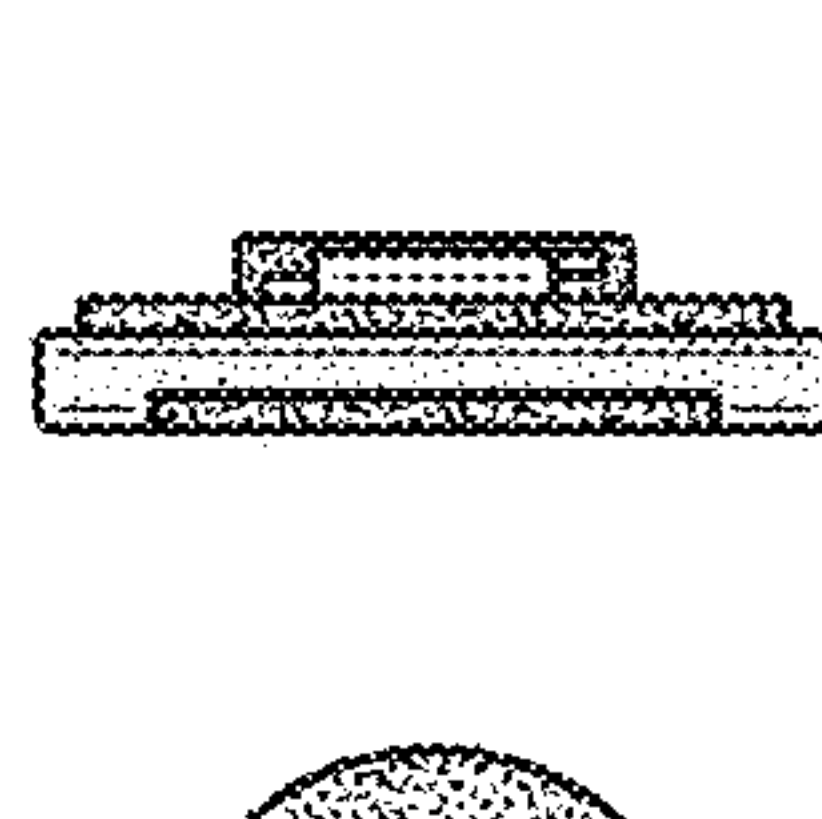


FIG. 12

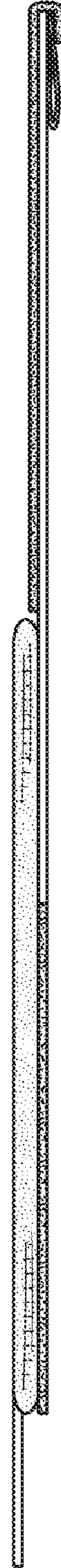


FIG. 13