



US00D706530S

(12) **United States Design Patent**
Lawson

(10) **Patent No.:** **US D706,530 S**
(45) **Date of Patent:** **** Jun. 10, 2014**

(54) **KEY HOLDER**

(71) Applicant: **Tina L. Lawson**, Reidsville, NC (US)

(72) Inventor: **Tina L. Lawson**, Reidsville, NC (US)

(**) Term: **14 Years**

(21) Appl. No.: **29/477,992**

(22) Filed: **Dec. 30, 2013**

(51) **LOC (10) Cl.** **03-01**

(52) **U.S. Cl.**
USPC **D3/207**

(58) **Field of Classification Search**

USPC D11/1-2, 14, 26-29, 89-92, 44, 48, 81,
D11/99; 63/26-28, 32; D3/207-212; D8/16,
D8/38, 347, 348; 70/456 B, 457, 458, 408;
206/37.1; D21/576, 593, 594, 606,
D21/609, 610, 611, 659, 660

See application file for complete search history.

(56) **References Cited**

U.S. PATENT DOCUMENTS

1,794,498	A *	3/1931	Ridgway	40/330
1,837,114	A *	12/1931	Cicourel	70/408
2,138,309	A *	11/1938	Stevenson	40/330
3,349,589	A *	10/1967	Fricke	70/395
D248,960	S *	8/1978	Iverson	D20/23
4,403,487	A *	9/1983	Marty	70/408
6,039,454	A *	3/2000	Hallgrimsson	362/116
D592,935	S *	5/2009	Mesh et al.	D8/347
D648,207	S *	11/2011	Johnson	D8/347

D689,759 S * 9/2013 Roberts et al. D8/347

* cited by examiner

Primary Examiner — Ralf Seifert

(74) *Attorney, Agent, or Firm* — Blake P. Hurt

(57) **CLAIM**

The ornamental design for a key holder, as shown and described.

DESCRIPTION

FIG. 1 is a top, front, right side perspective view of a key holder showing my new design;

FIG. 2 is a top plan view thereof;

FIG. 3 is a left side elevational view thereof, the right side elevational view being a mirror image thereof;

FIG. 4 is a bottom plan view thereof; and

FIG. 5 is a rear elevational view thereof, the front elevational view being a mirror image thereof.

FIG. 6 is a top, front, right side perspective view of a key holder showing a second embodiment of my new design;

FIG. 7 is a top plan view of FIG. 6;

FIG. 8 is a left side elevational view of FIG. 6, the right side elevational view being a mirror image;

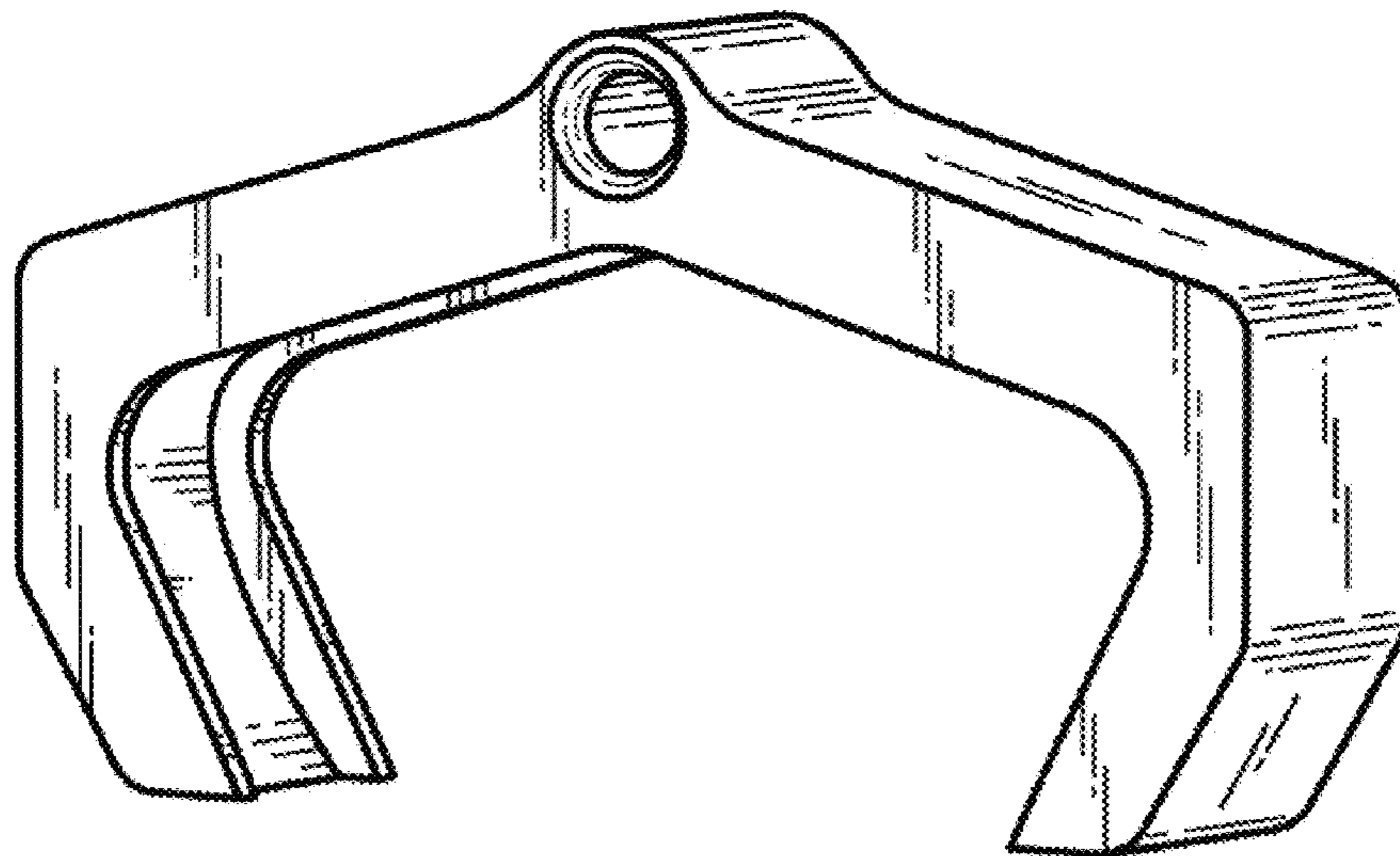
FIG. 9 is a bottom plan view of FIG. 6;

FIG. 10 is a front elevational view of FIG. 6; and,

FIG. 11 is a rear elevational view of FIG. 6.

The key shown in dashed lines is included for the purpose of illustrating environment and forms no part of the claimed design.

1 Claim, 2 Drawing Sheets



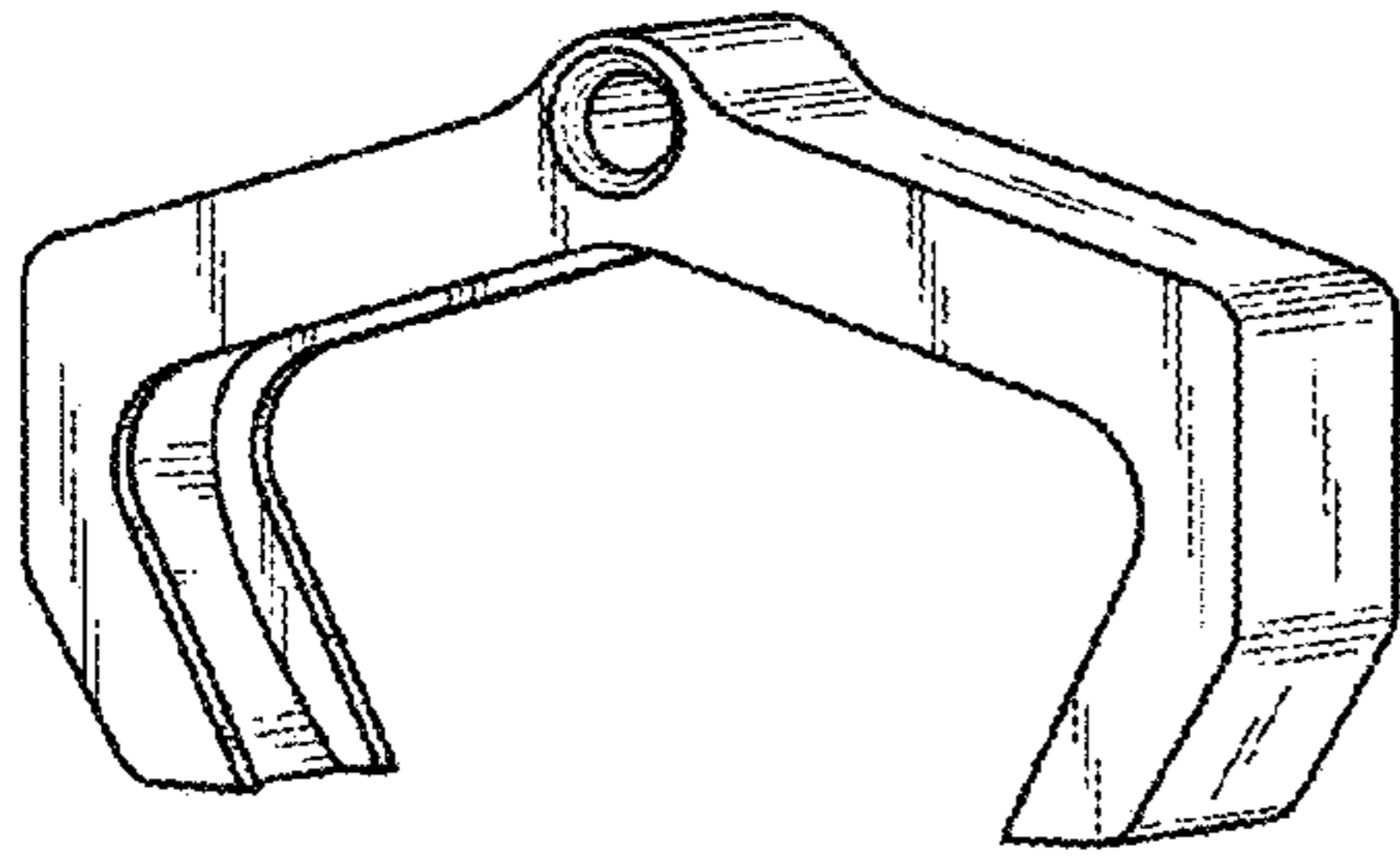


Fig. 1



Fig. 2



Fig. 3



Fig. 4

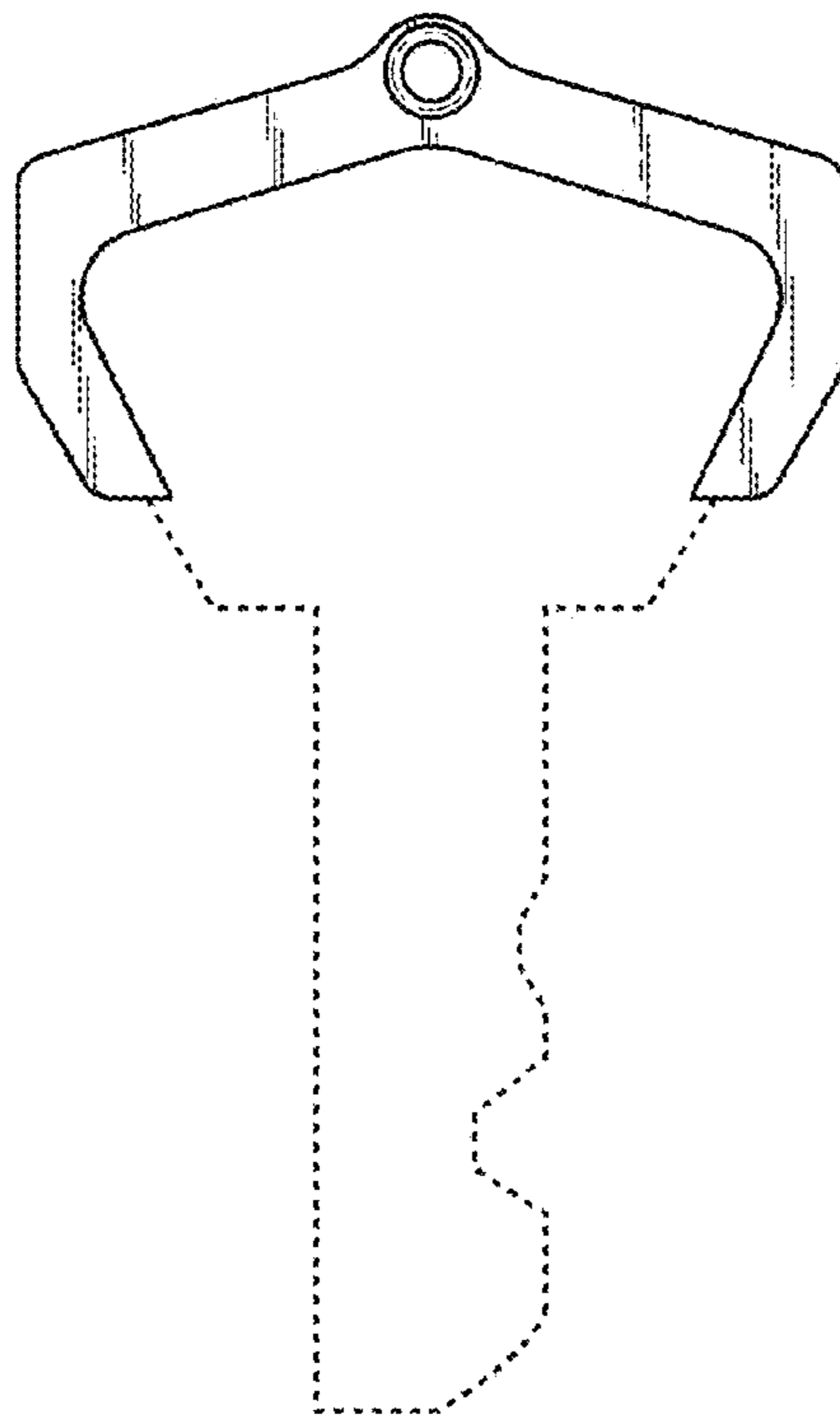


Fig. 5

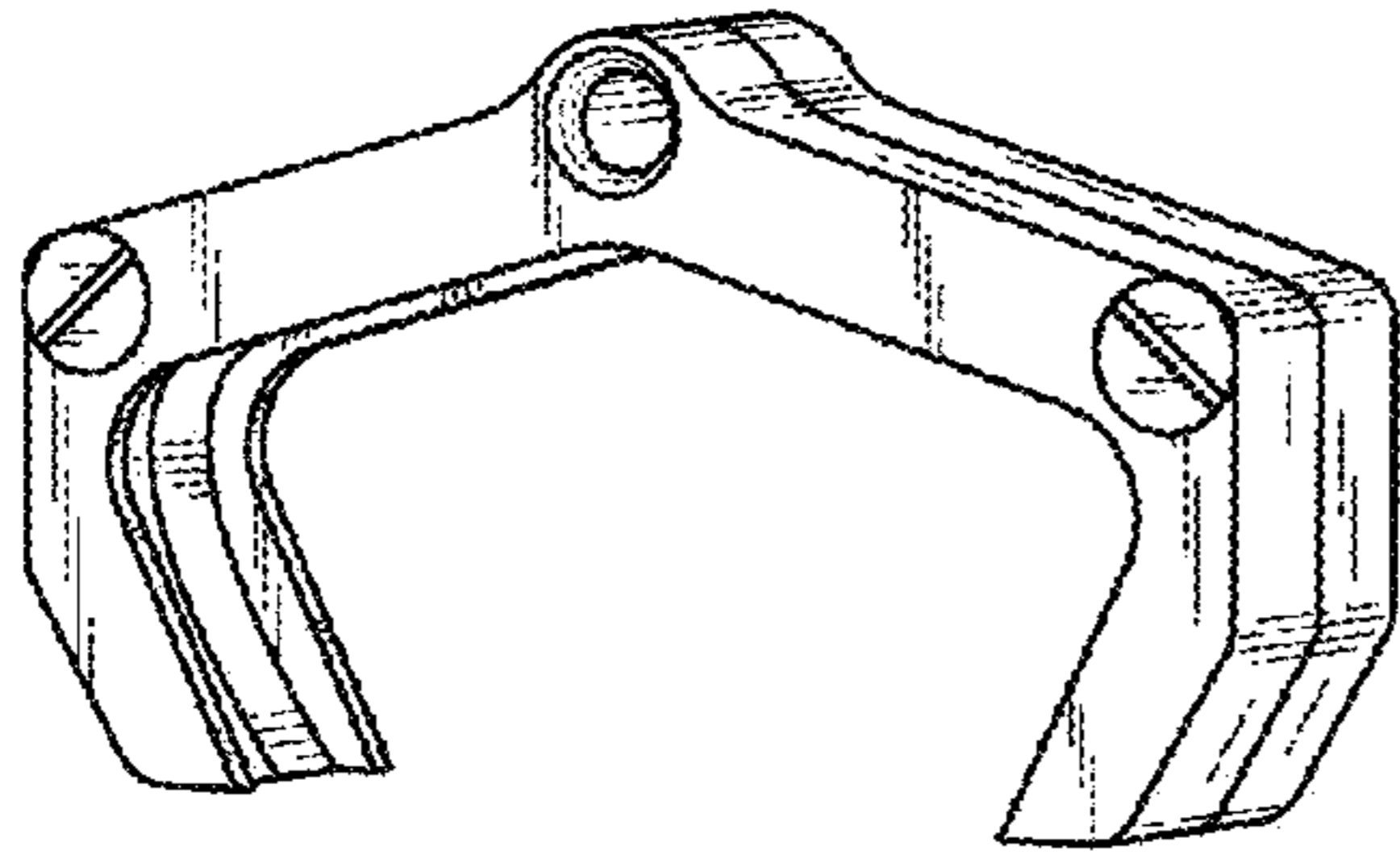


Fig. 6

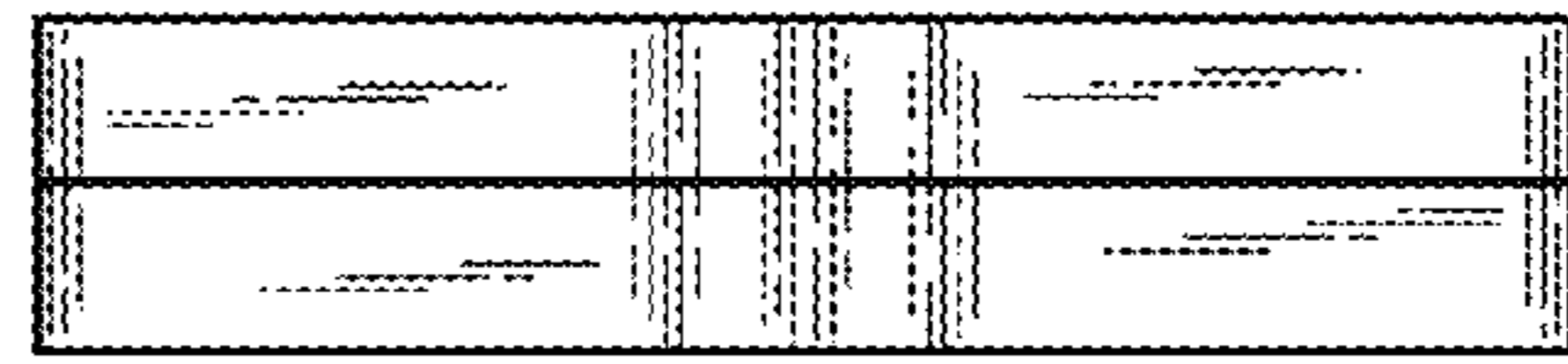


Fig. 7

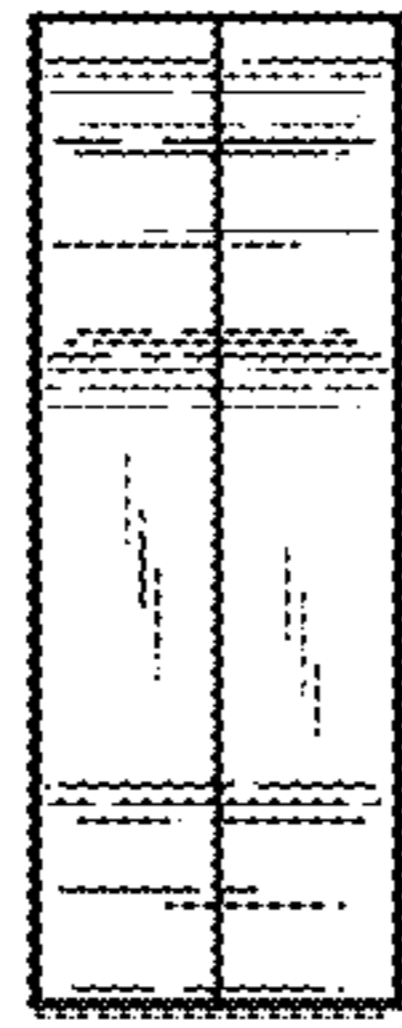


Fig. 8

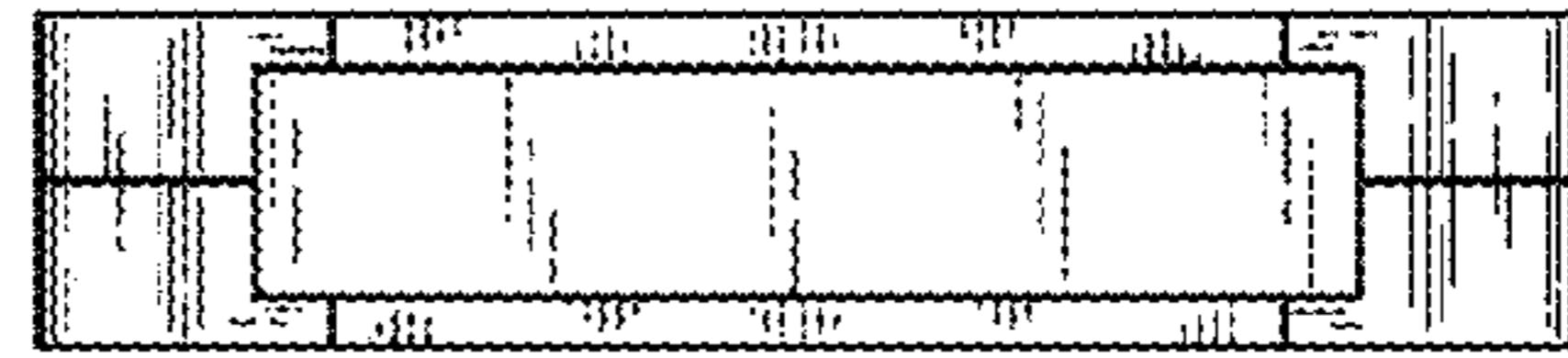


Fig. 9

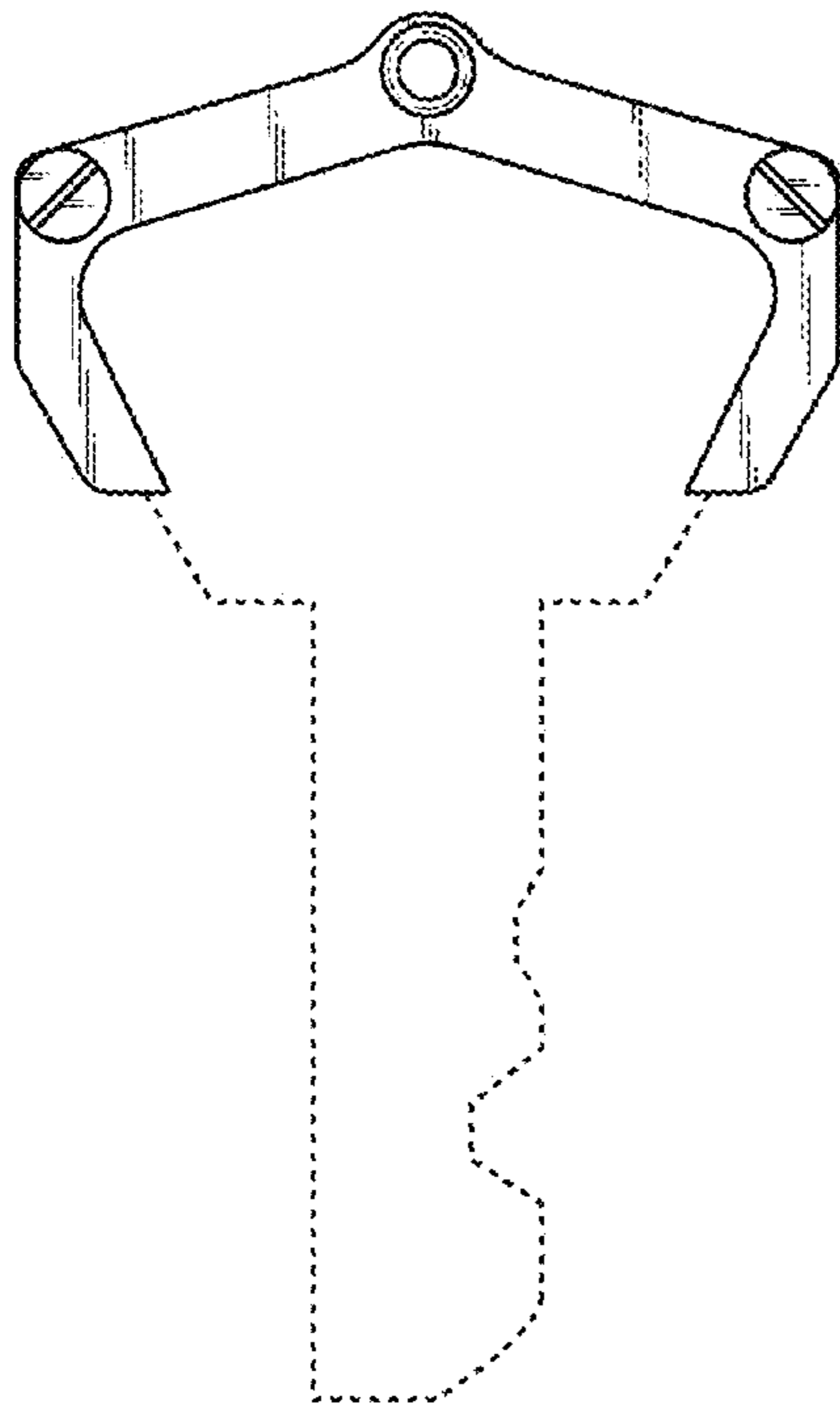


Fig. 10

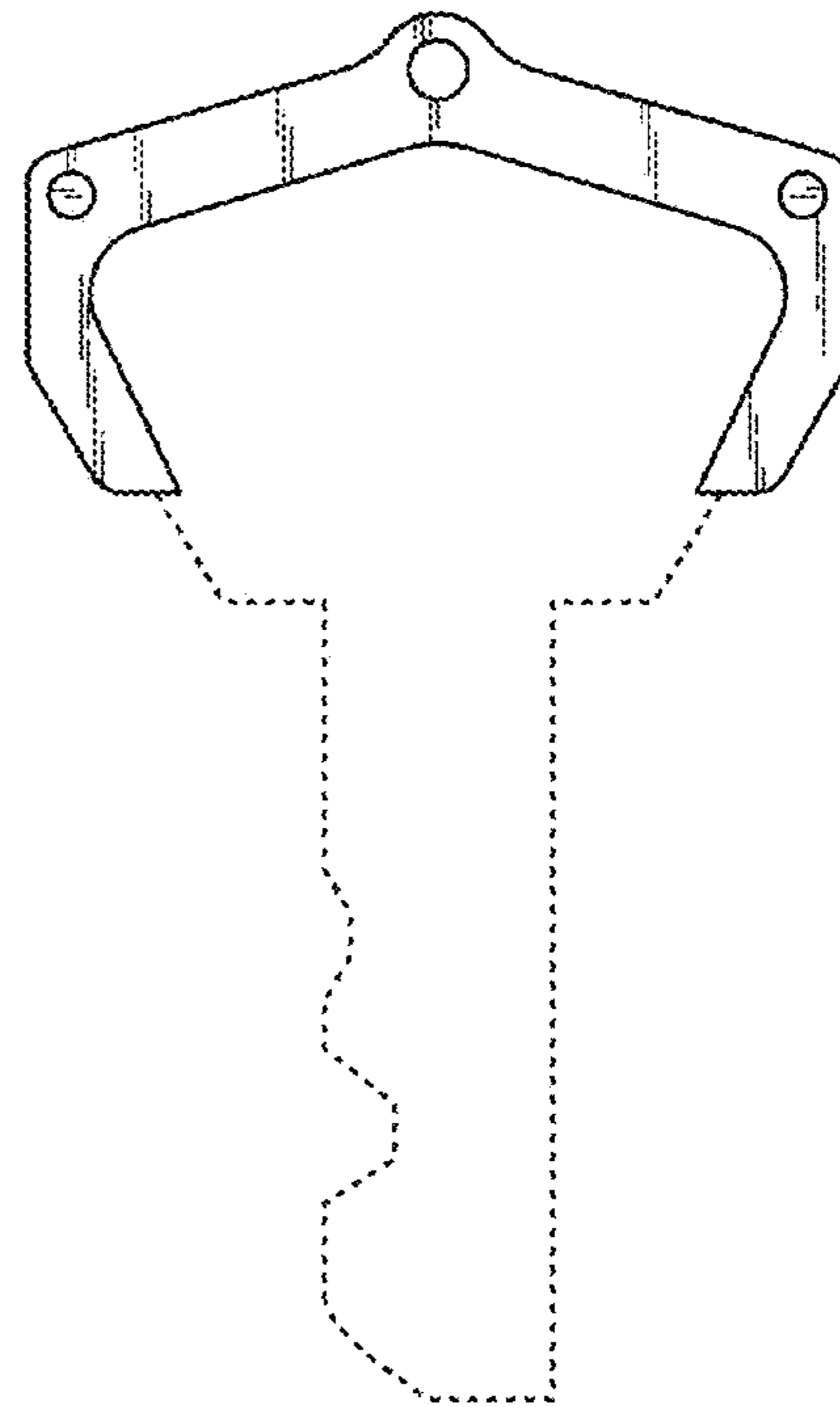


Fig. 11