



US00D706529S

(12) **United States Design Patent**  
**Simon**

(10) **Patent No.:** **US D706,529 S**  
(45) **Date of Patent:** **\*\* Jun. 10, 2014**

(54) **CONTAINER FOR DENTAL APPLICATOR PADS**

(71) Applicant: **Ivoclar Vivadent AG**, Schaan (LI)

(72) Inventor: **Boris Simon**, München (DE)

(73) Assignee: **Ivoclar Vivadent AG**, Schaan (LI)

(\*\*) Term: **14 Years**

(21) Appl. No.: **29/469,091**

(22) Filed: **Oct. 7, 2013**

(30) **Foreign Application Priority Data**

Apr. 8, 2013 (WO) ..... 730 869 001

(51) **LOC (10) Cl.** ..... **03-01**

(52) **U.S. Cl.**  
USPC ..... **D3/203.1**

(58) **Field of Classification Search**  
USPC ..... D3/201–205, 272–273, 276, 294;  
D9/763, 767; D24/176–177, 181, 227;  
206/528–540

See application file for complete search history.

(56) **References Cited**

**U.S. PATENT DOCUMENTS**

D324,952 S \* 3/1992 Berland ..... D3/203.1  
D342,157 S \* 12/1993 Tiramani et al. .... D3/203.1  
D404,917 S \* 2/1999 Miller et al. .... D3/294  
D539,641 S \* 4/2007 Tanner ..... D3/203.1

\* cited by examiner

*Primary Examiner* — Catheri Olivera-Garcia  
(74) *Attorney, Agent, or Firm* — Ann M. Knab; Thad McMurray

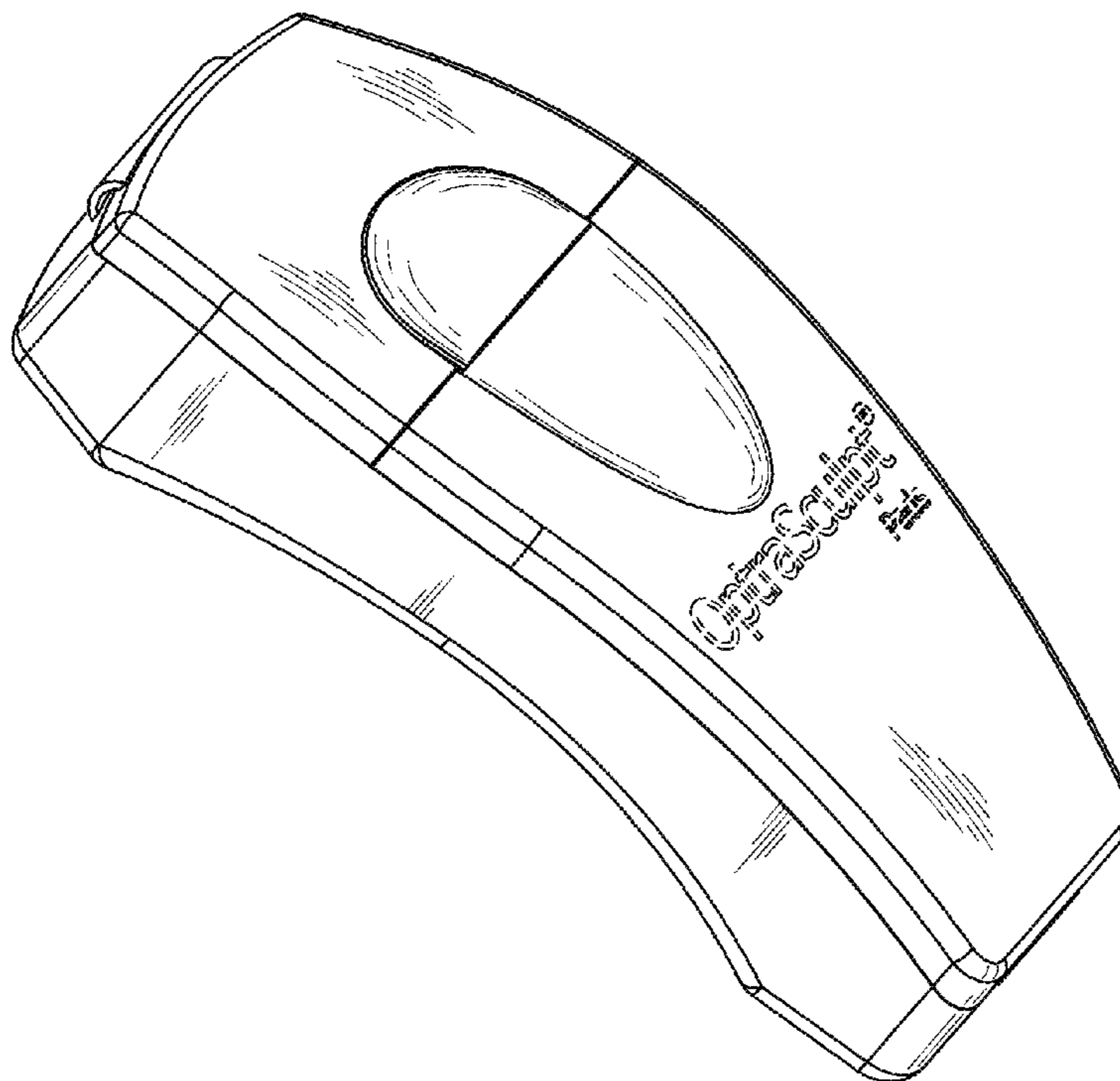
(57) **CLAIM**

The ornamental design for a container for dental applicator pads, as shown and described.

**DESCRIPTION**

FIG. 1 is a perspective view of a container for dental applicator pads, showing our new design.  
FIG. 2 is a top plan view thereof.  
FIG. 3 is a front view thereof.  
FIG. 4 is a rear view thereof.  
FIG. 5 is a bottom view thereof.  
FIG. 6 is a right side view thereof.  
FIG. 7 is a left side view thereof.  
FIG. 8 is a perspective view of the container in an open position.  
FIG. 9 is a left side view thereof.  
FIG. 10 is a right side view thereof.  
FIG. 11 is a perspective view of the container in a further opened position.  
FIG. 12 is a left side view thereof.  
FIG. 13 is a right side view thereof.  
FIG. 14 is a bottom view thereof; and,  
FIG. 15 is a top view thereof.  
The broken line showing is for illustration purposes only and forms no part of the claimed design.

**1 Claim, 15 Drawing Sheets**



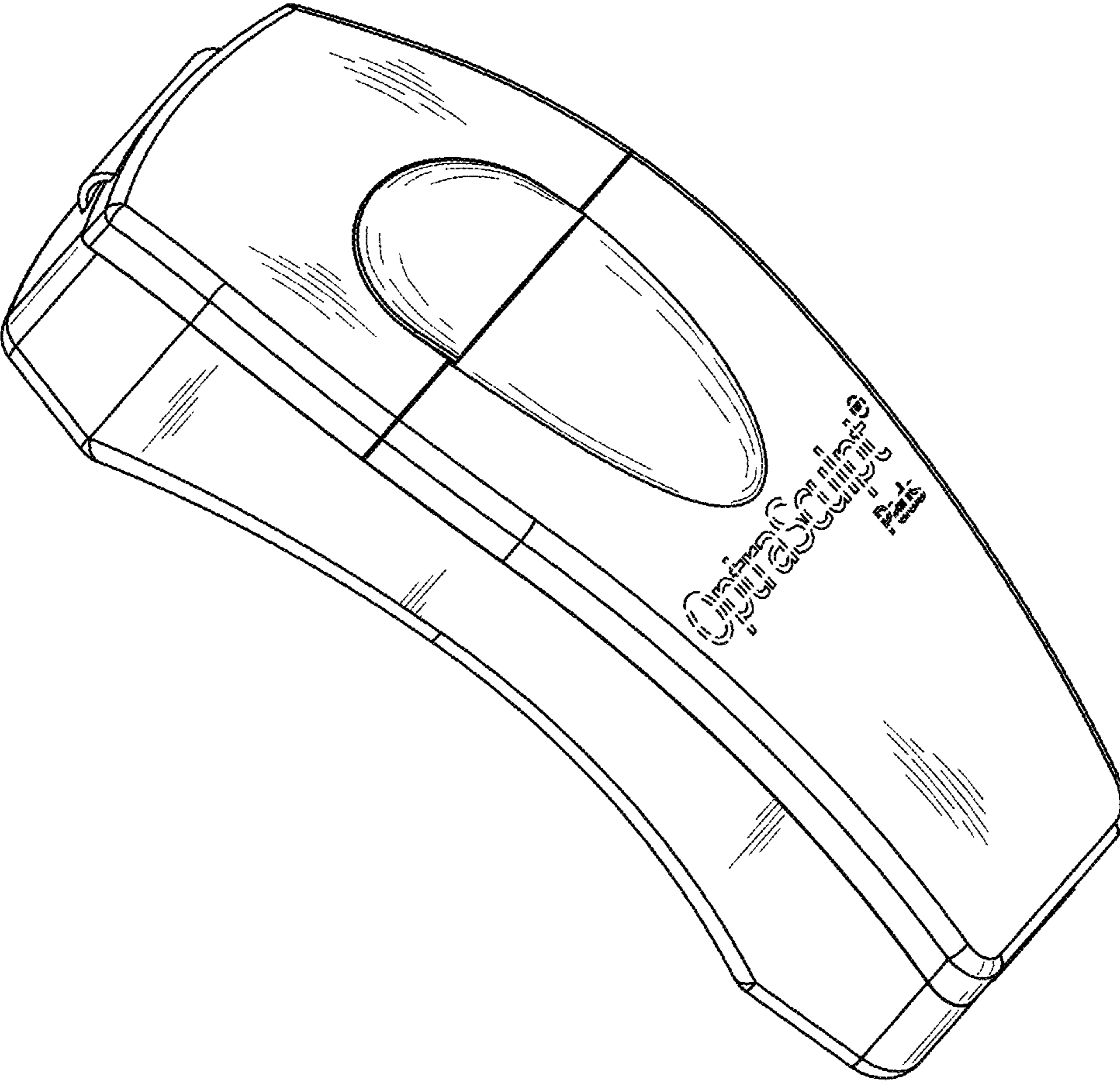


Fig. 1

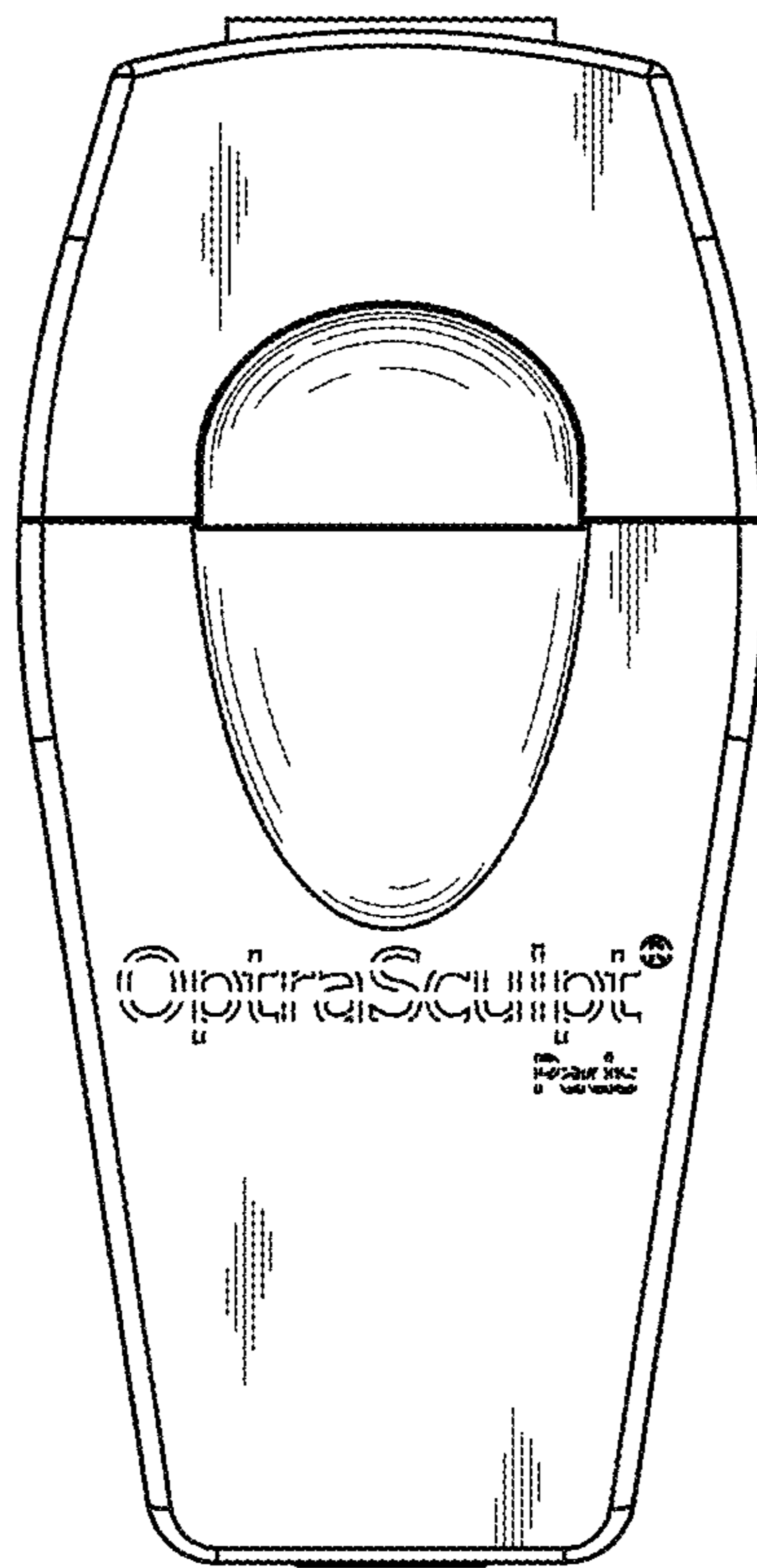


Fig. 2

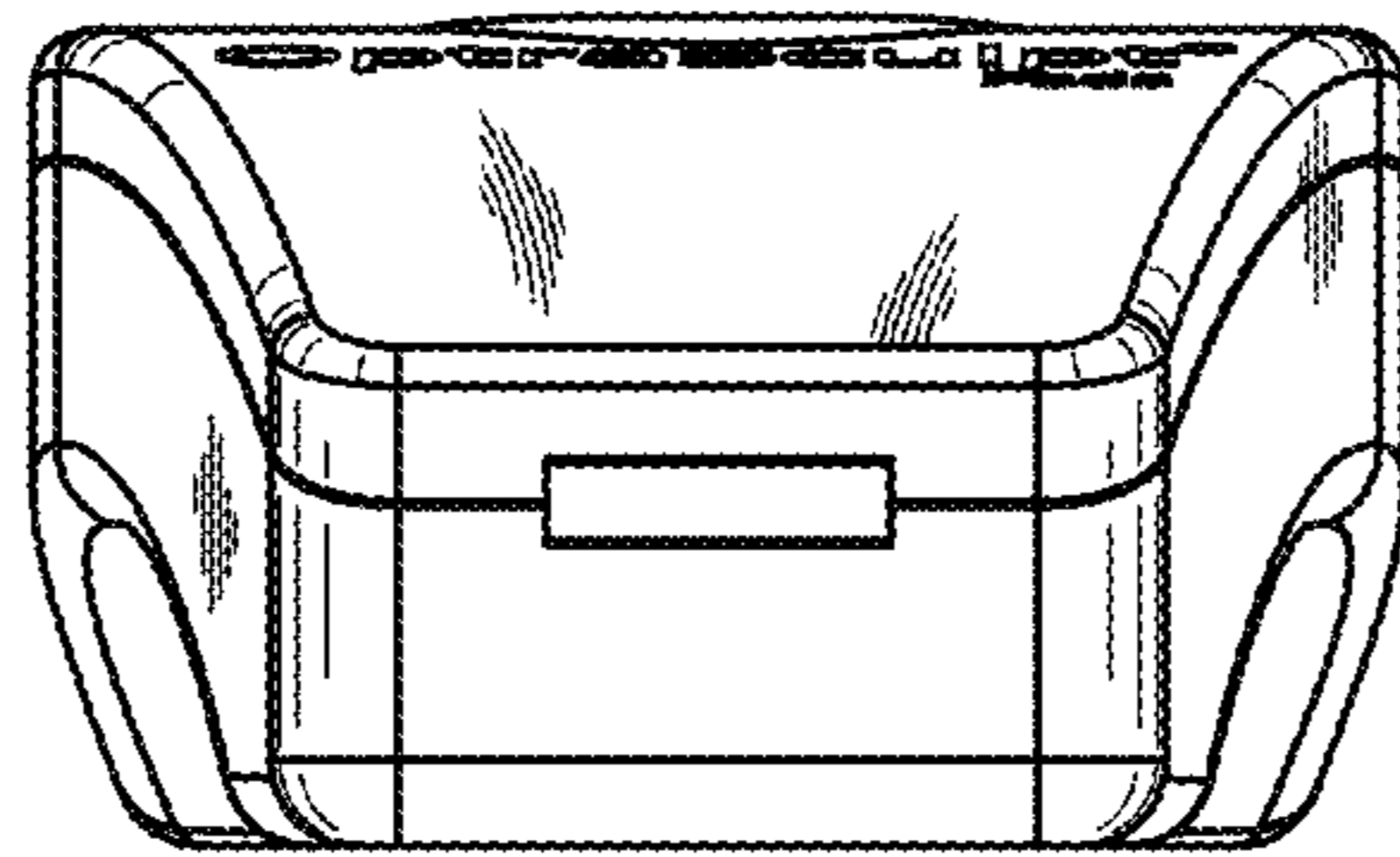


Fig. 3

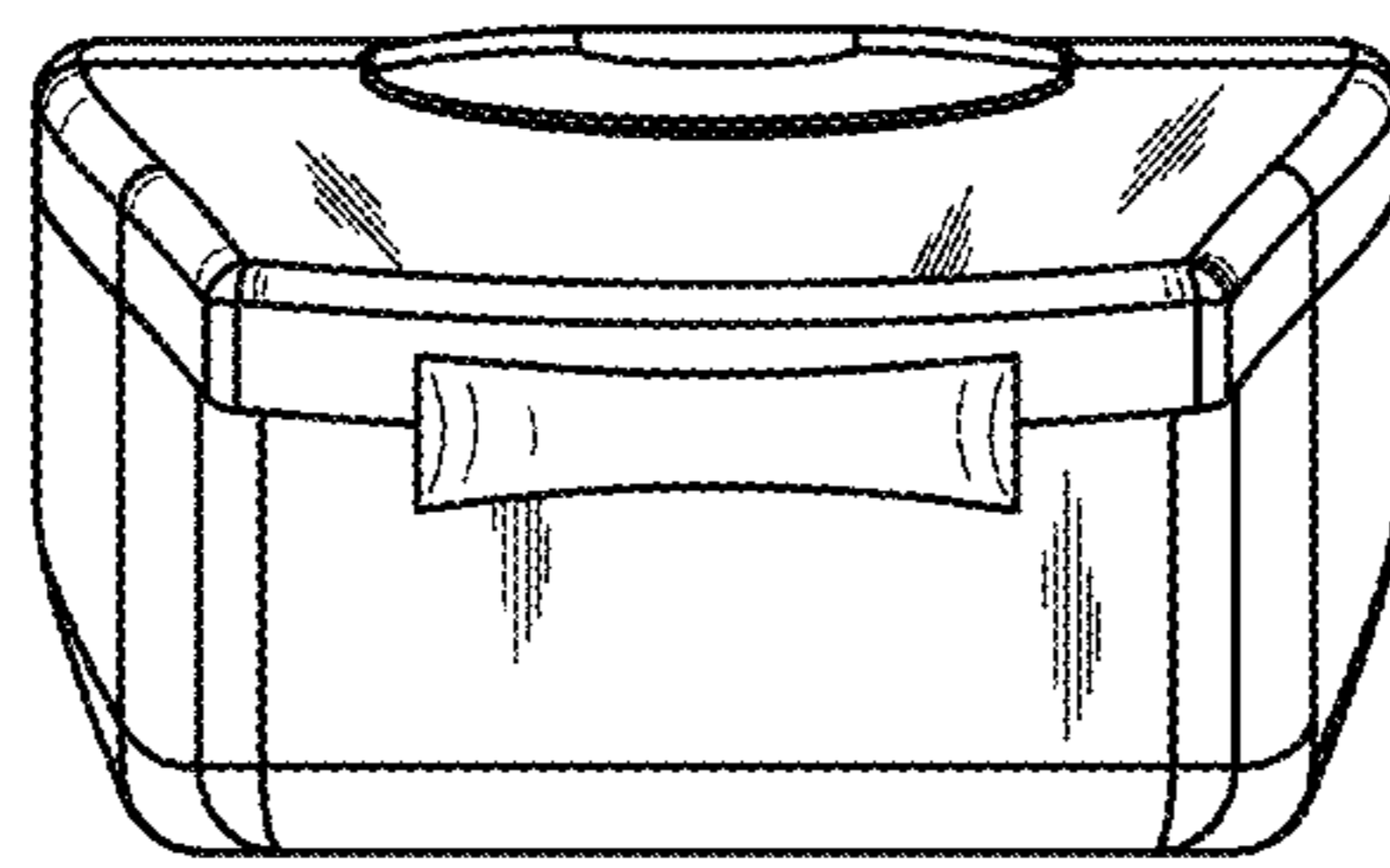


Fig. 4

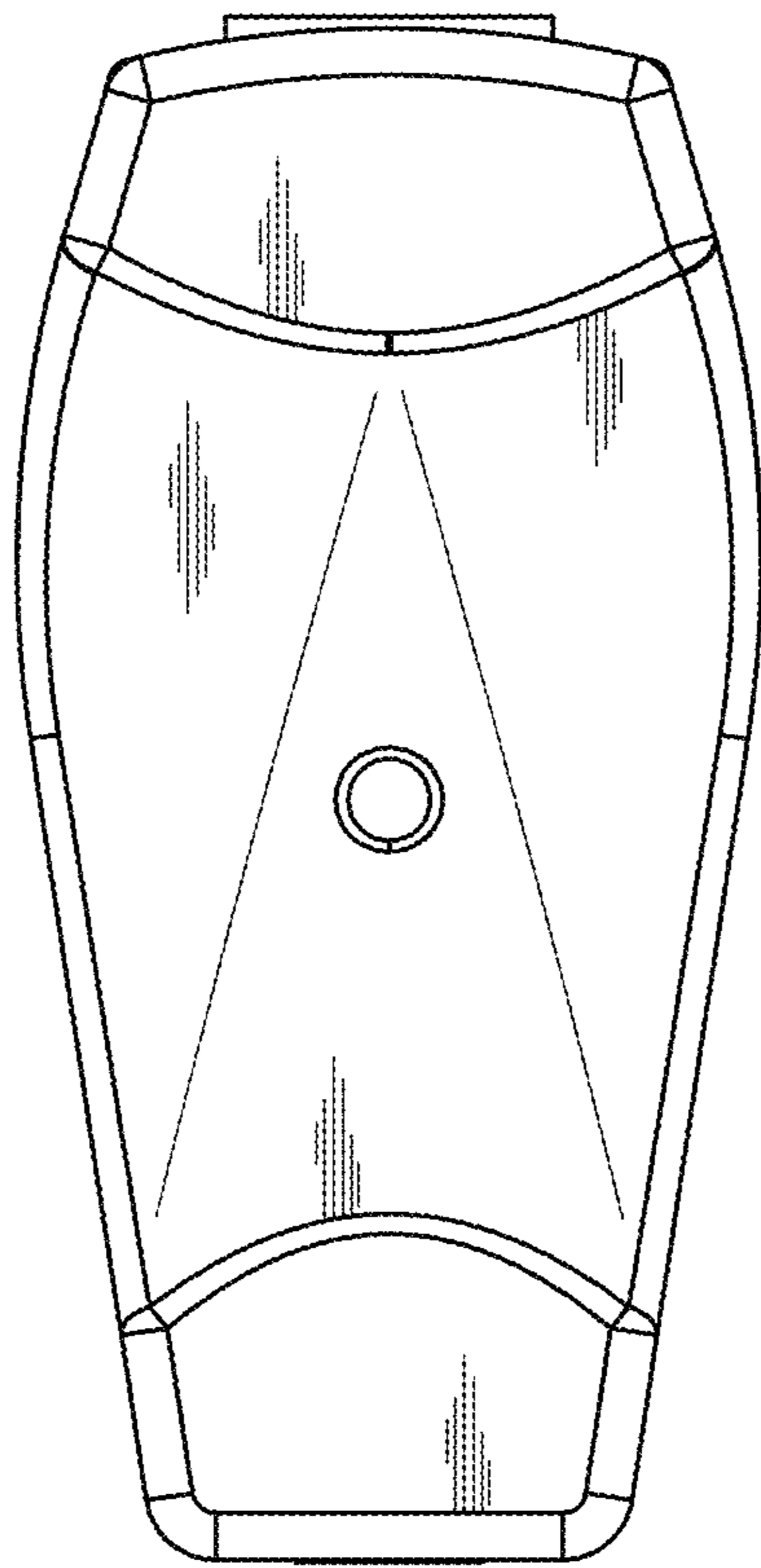


Fig. 5

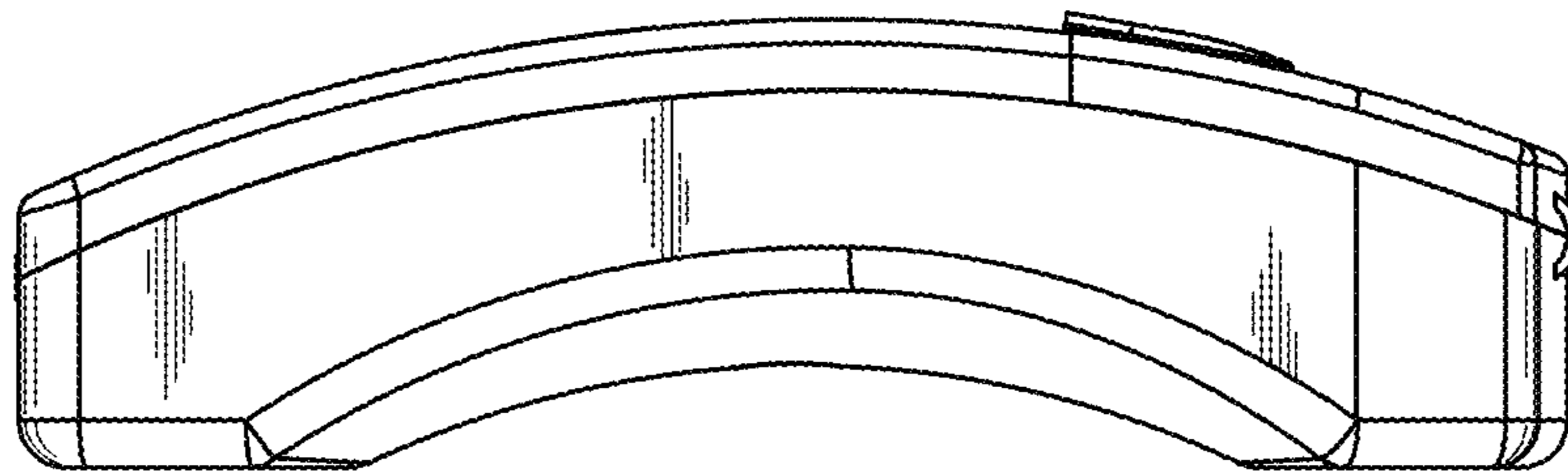


Fig. 6

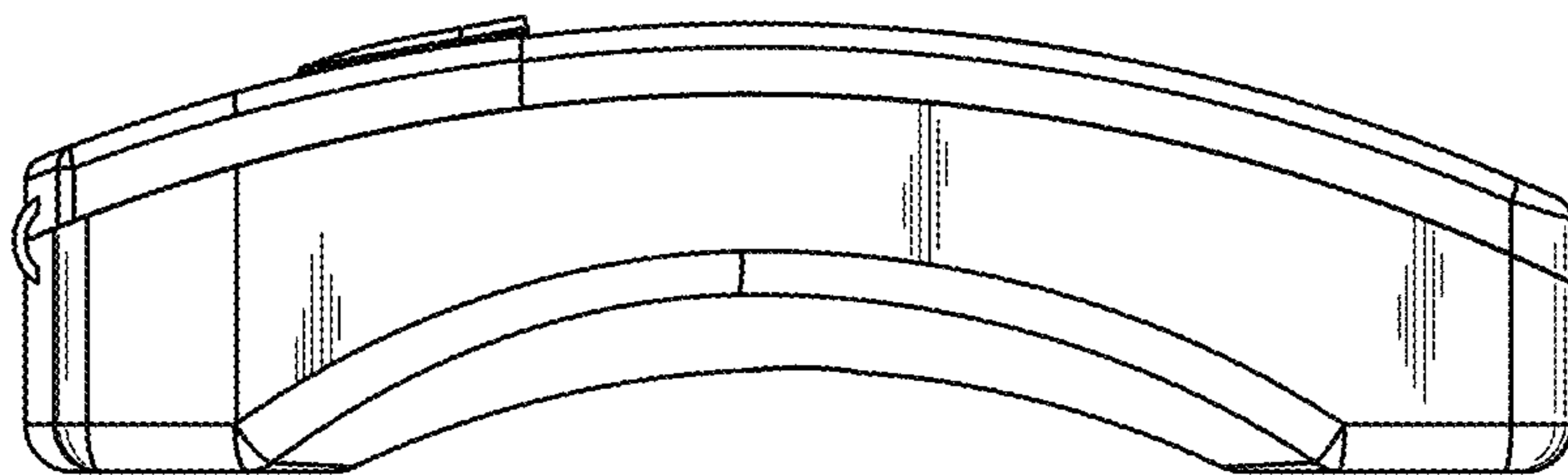


Fig. 7



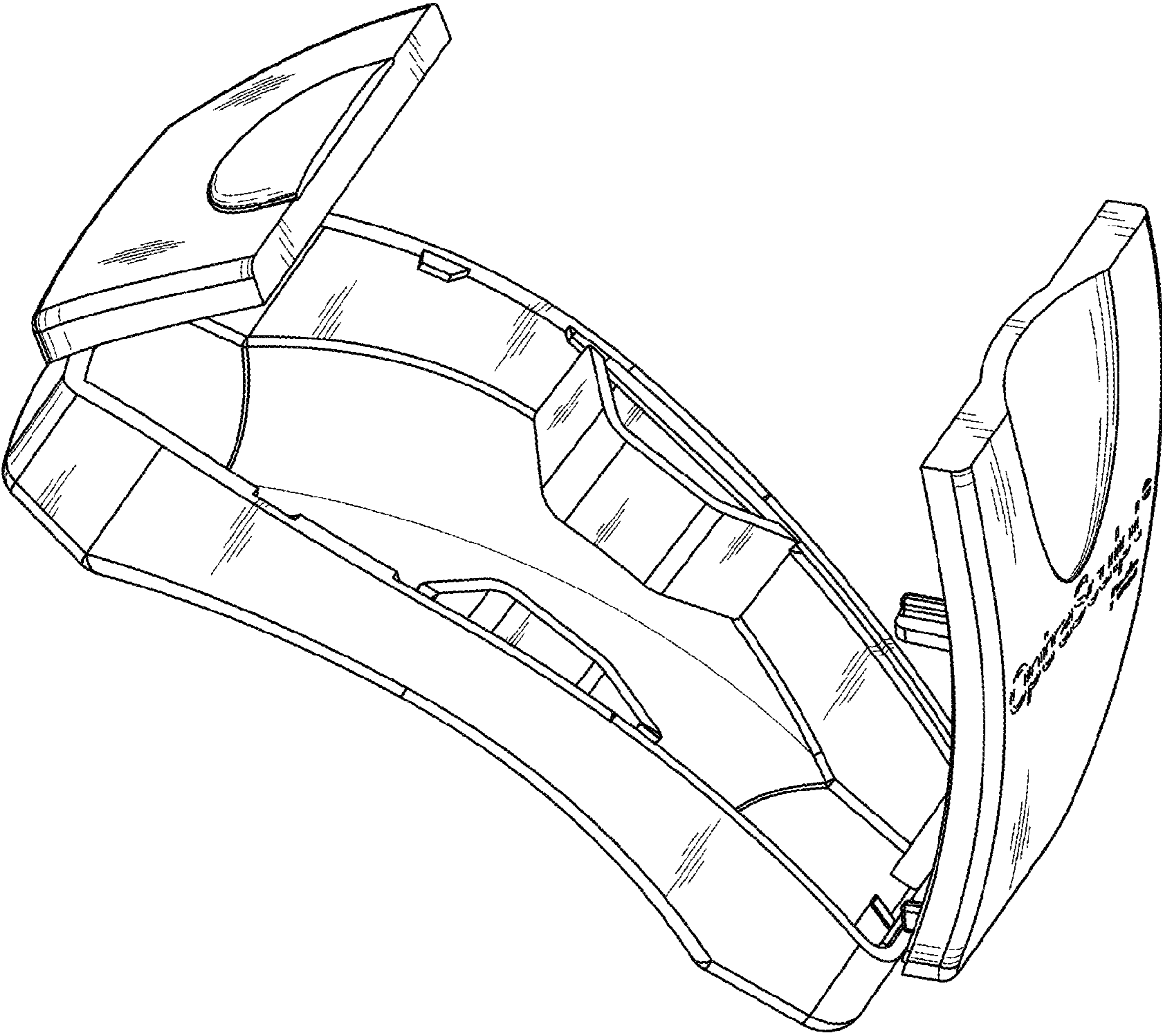


Fig. 8

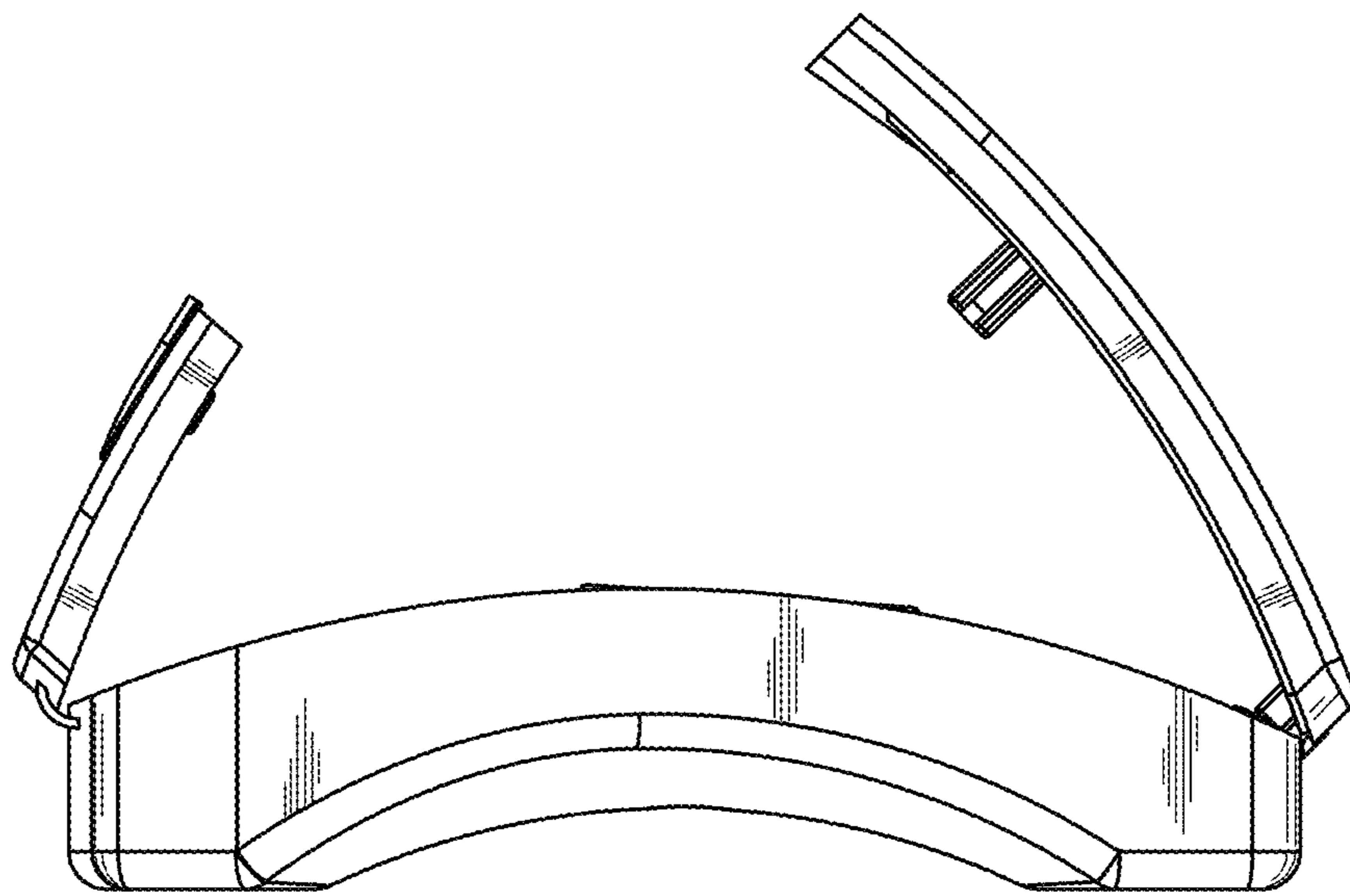


Fig. 9

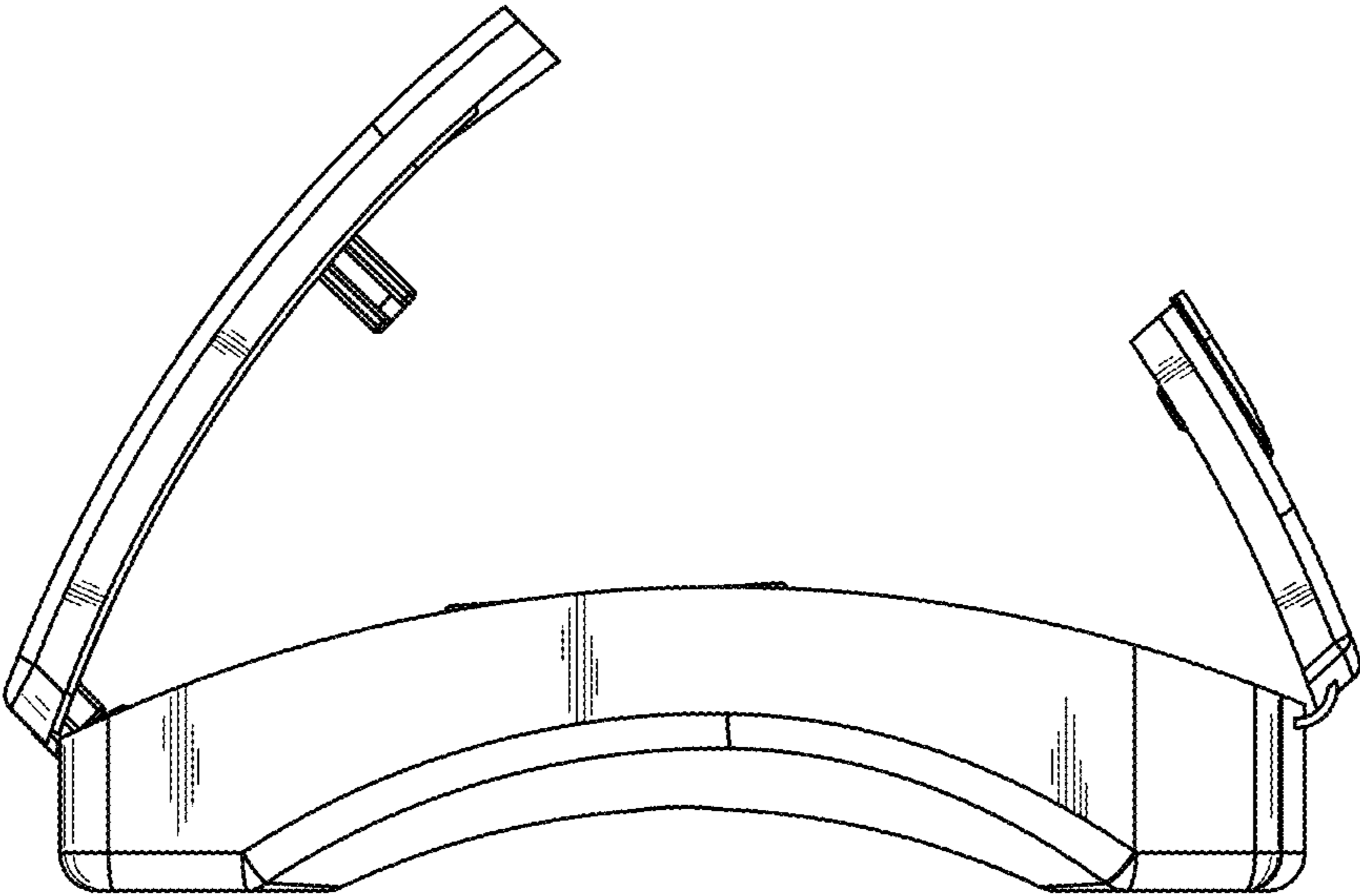


Fig. 10

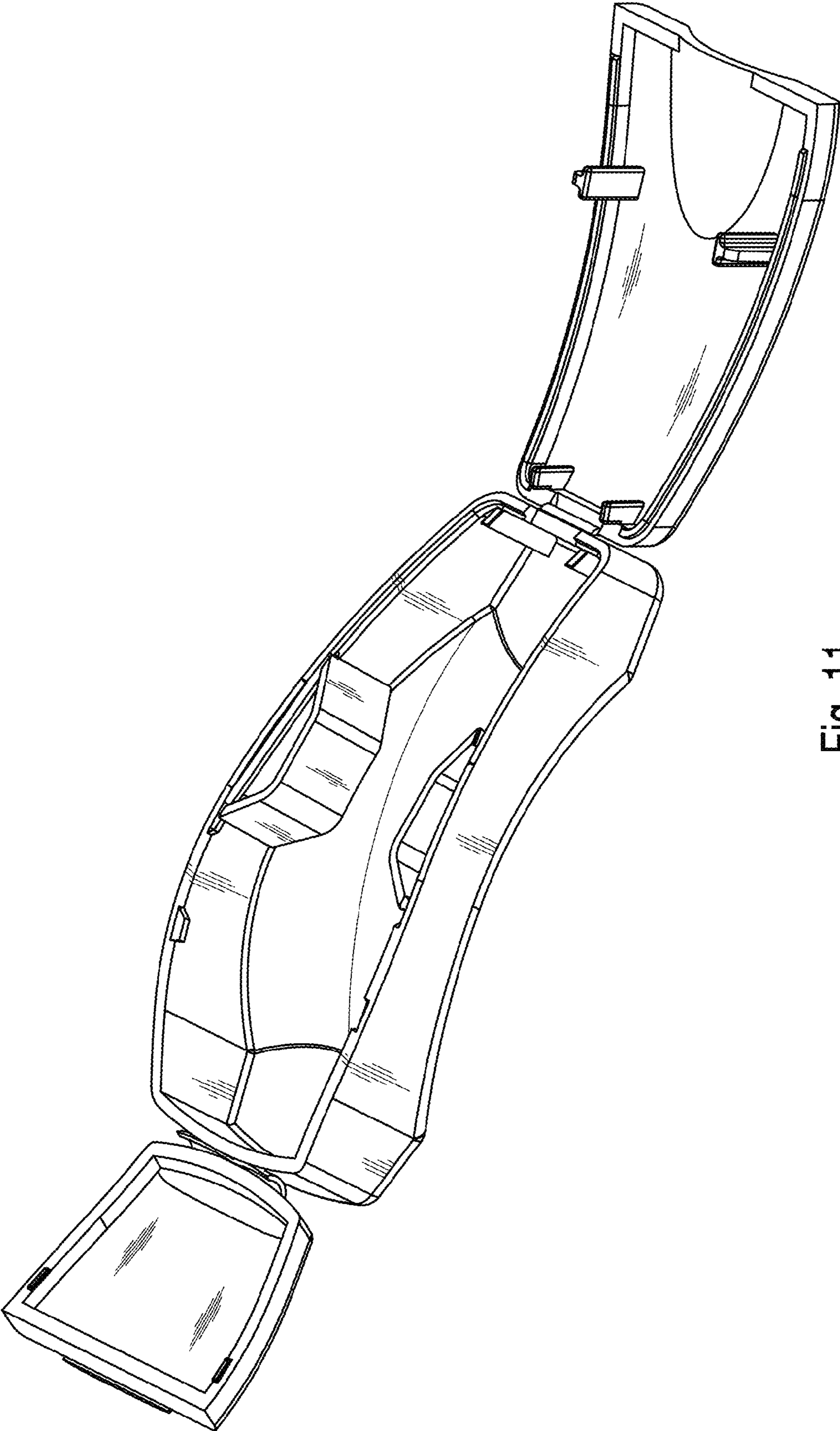


Fig. 11

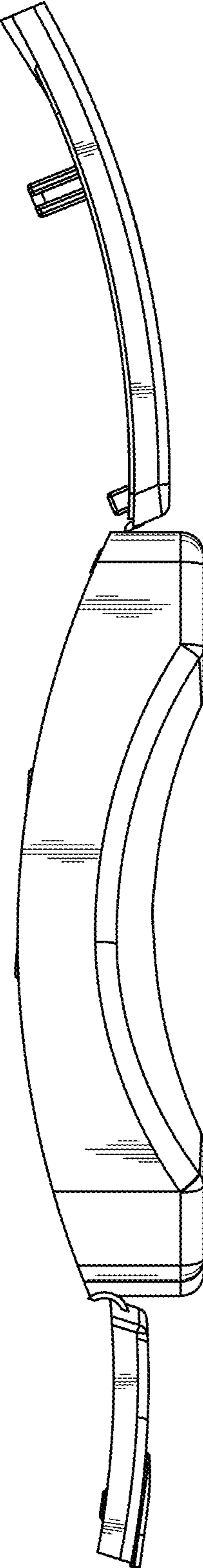


Fig. 12

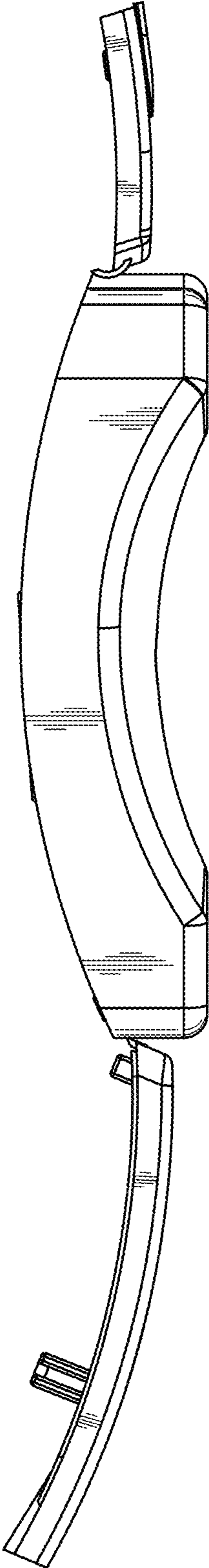


Fig. 13

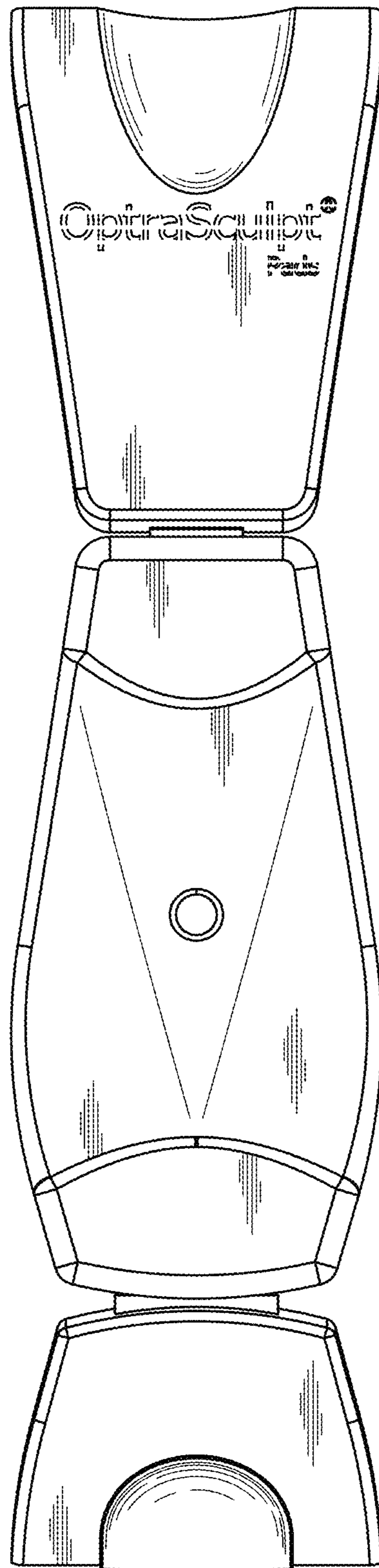


Fig. 14



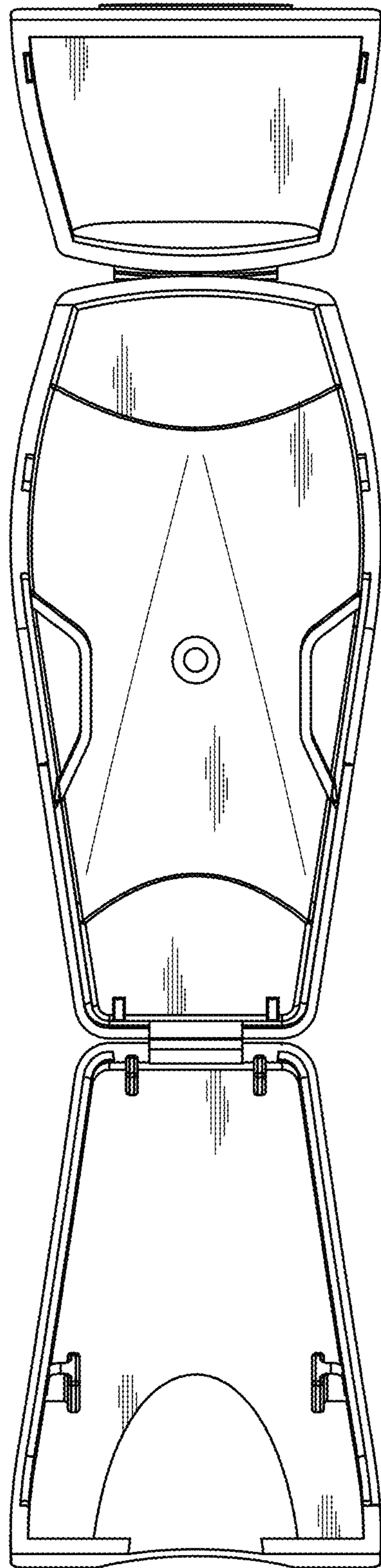


Fig. 15