



US00D706513S

(12) **United States Design Patent**  
**LaBarbera et al.**

(10) **Patent No.:** **US D706,513 S**  
(45) **Date of Patent:** **\*\* \*Jun. 3, 2014**

(54) **FOLDING RAMP**

(71) Applicant: **Mytee Products Inc.**, Poway, CA (US)

(72) Inventors: **John LaBarbera**, Poway, CA (US);  
**Paul LaBarbera**, Poway, CA (US);  
**Vincent LaBarbera**, Poway, CA (US)

(\*) Notice: This patent is subject to a terminal disclaimer.

(\*\*) Term: **14 Years**

(21) Appl. No.: **29/434,605**

(22) Filed: **Oct. 15, 2012**

(51) **LOC (10) Cl.** ..... **12-05**

(52) **U.S. Cl.**  
USPC ..... **D34/32**

(58) **Field of Classification Search**  
USPC ..... D34/28, 32; 414/537; 14/71.1, 71.7,  
14/69.5, 71.3, 304.1; 16/386  
See application file for complete search history.

(56) **References Cited**

**U.S. PATENT DOCUMENTS**

D300,073 S \* 2/1989 Crump ..... D34/32  
D358,924 S \* 5/1995 Achenbach ..... D34/32

6,602,041 B2 \* 8/2003 Lewis et al. .... 414/537  
6,878,881 B1 \* 4/2005 Henry ..... 174/101  
7,533,433 B2 \* 5/2009 Morris et al. .... 14/71.3  
D595,920 S \* 7/2009 Lederhause et al. .... D34/32  
D617,972 S \* 6/2010 Lucht ..... D34/32  
D640,854 S \* 6/2011 Leum ..... D34/32  
D663,092 S \* 7/2012 Blocker ..... D34/32  
D673,658 S \* 1/2013 Dufresne ..... D23/266  
2009/0035113 A1 \* 2/2009 Morris et al. .... 414/537  
2009/0300859 A1 \* 12/2009 Lucht ..... 14/69.5

\* cited by examiner

*Primary Examiner* — Cynthia Ramirez  
(74) *Attorney, Agent, or Firm* — Themis Law

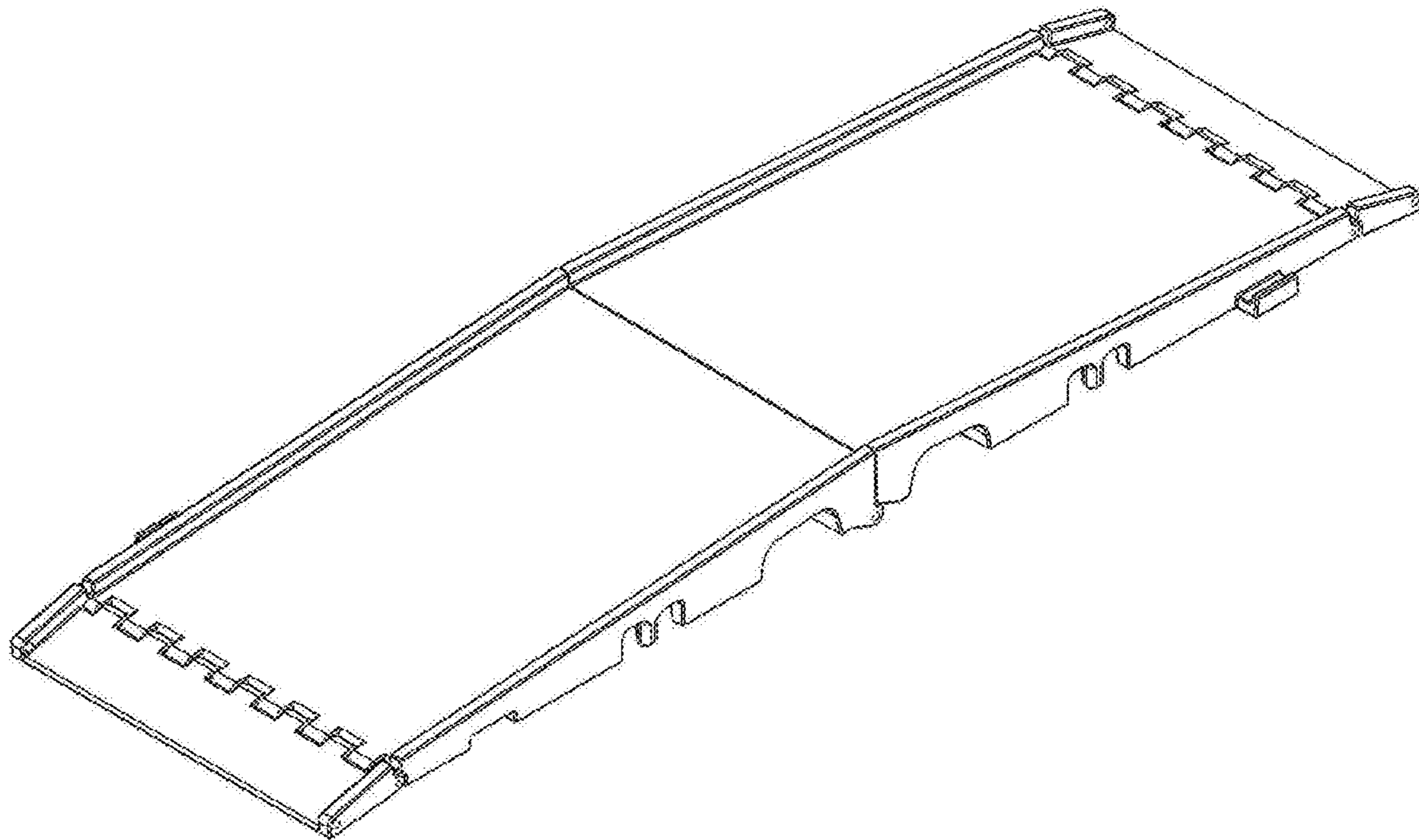
(57) **CLAIM**

The ornamental design for a folding ramp, as shown and described.

**DESCRIPTION**

FIG. 1 is a perspective view of a folding ramp showing our new design;  
FIG. 2 is a front elevational view thereof, the rear elevational view being a mirror image;  
FIG. 3 is a right side elevational view thereof, the left side elevational view being a mirror image;  
FIG. 4 is a top plan view thereof;  
FIG. 5 is a right side elevational view thereof in one configuration of use; and,  
FIG. 6 is a perspective view thereof in a folded configuration.

**1 Claim, 6 Drawing Sheets**



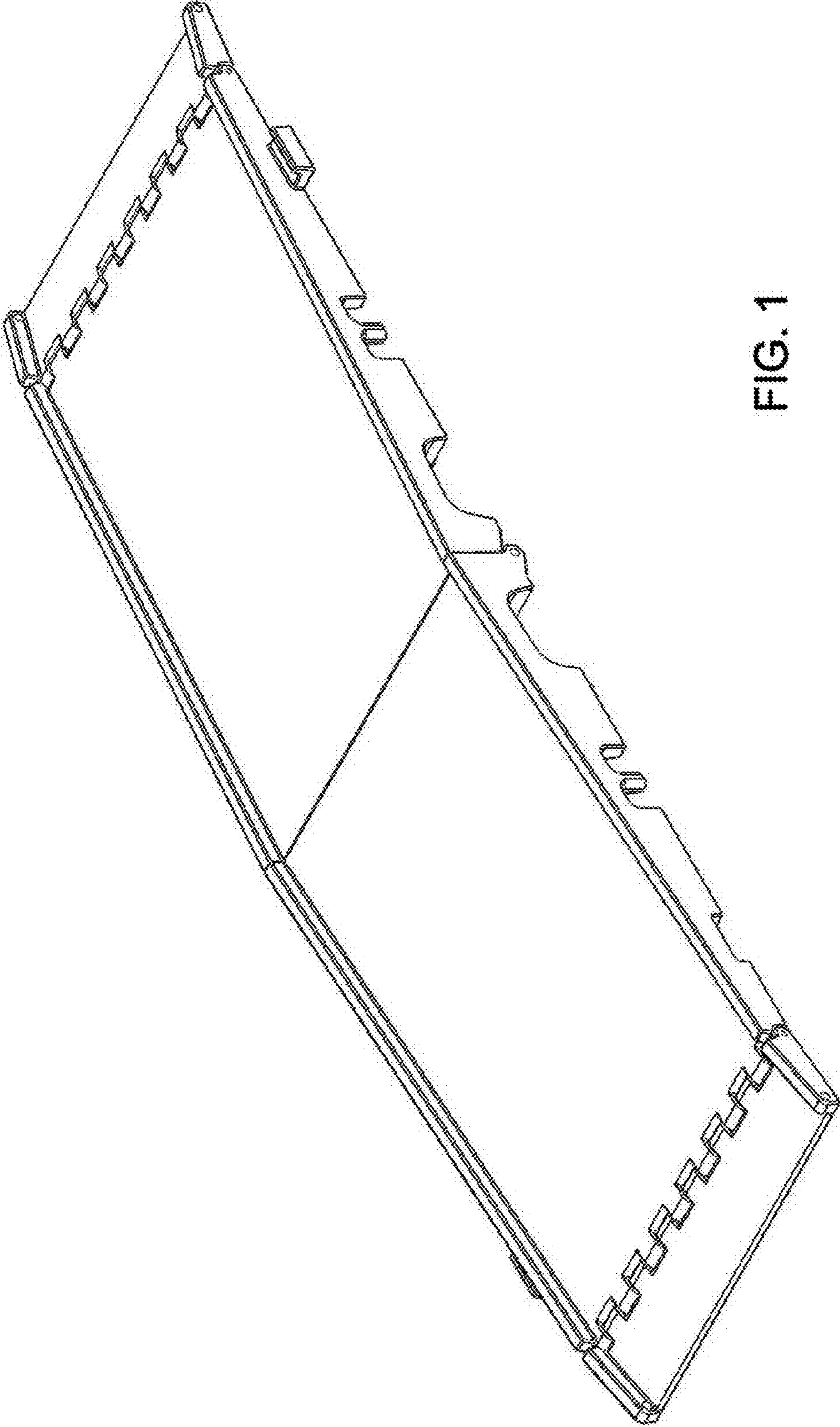


FIG. 1

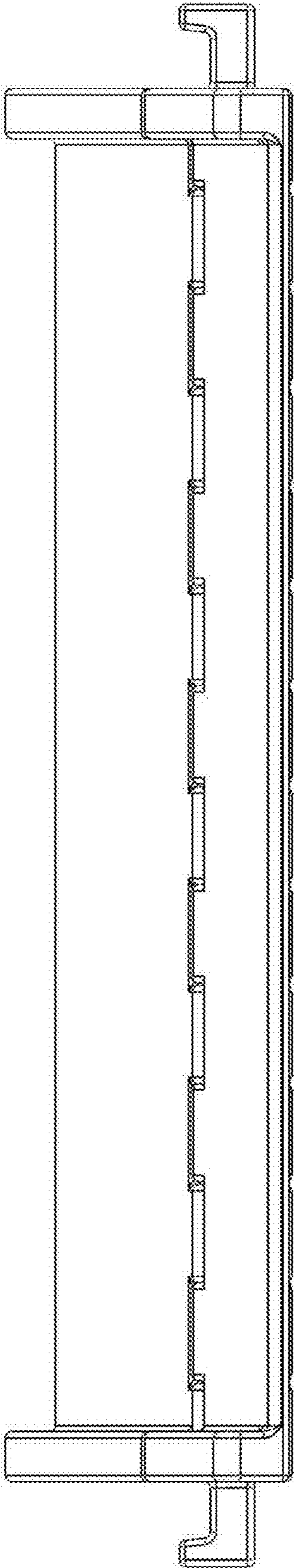


FIG. 2

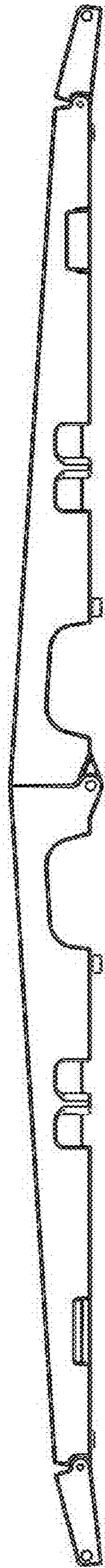


FIG. 3



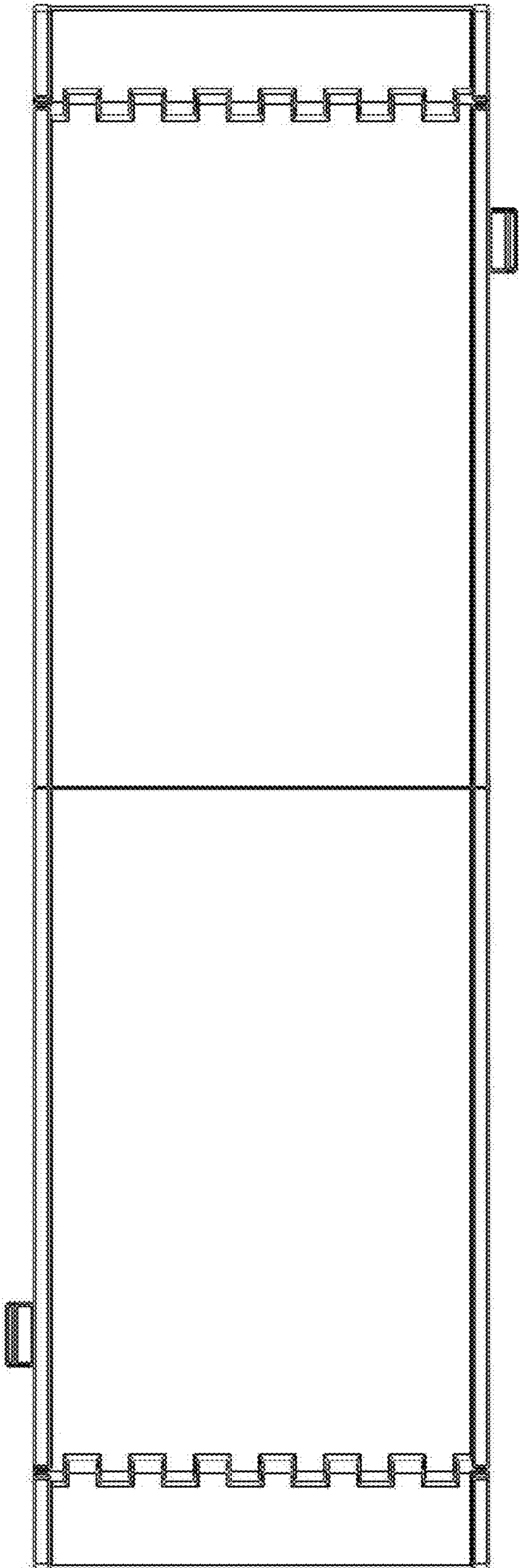


FIG. 4

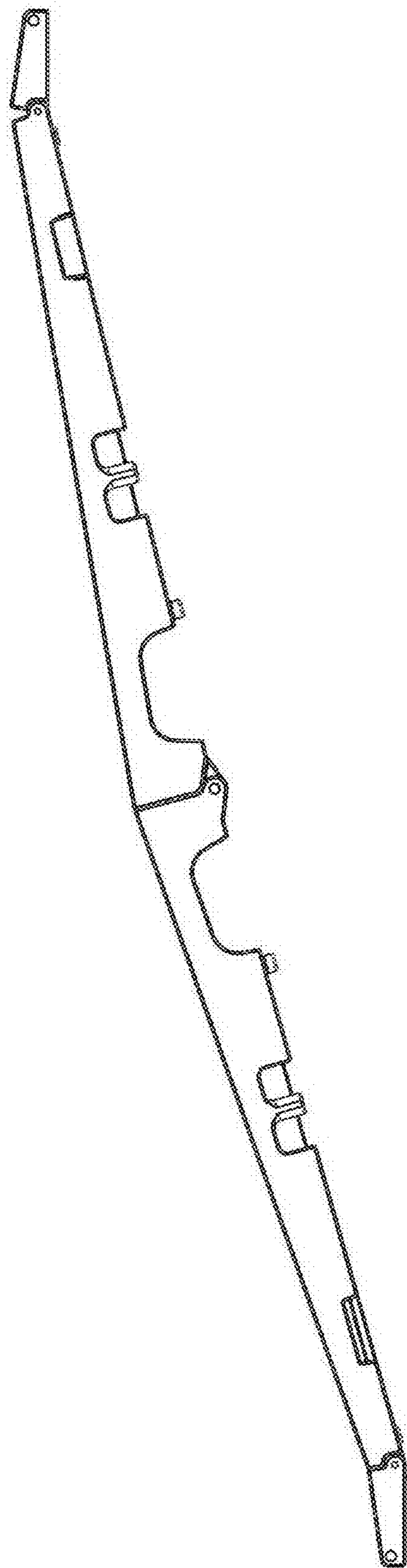


FIG. 5

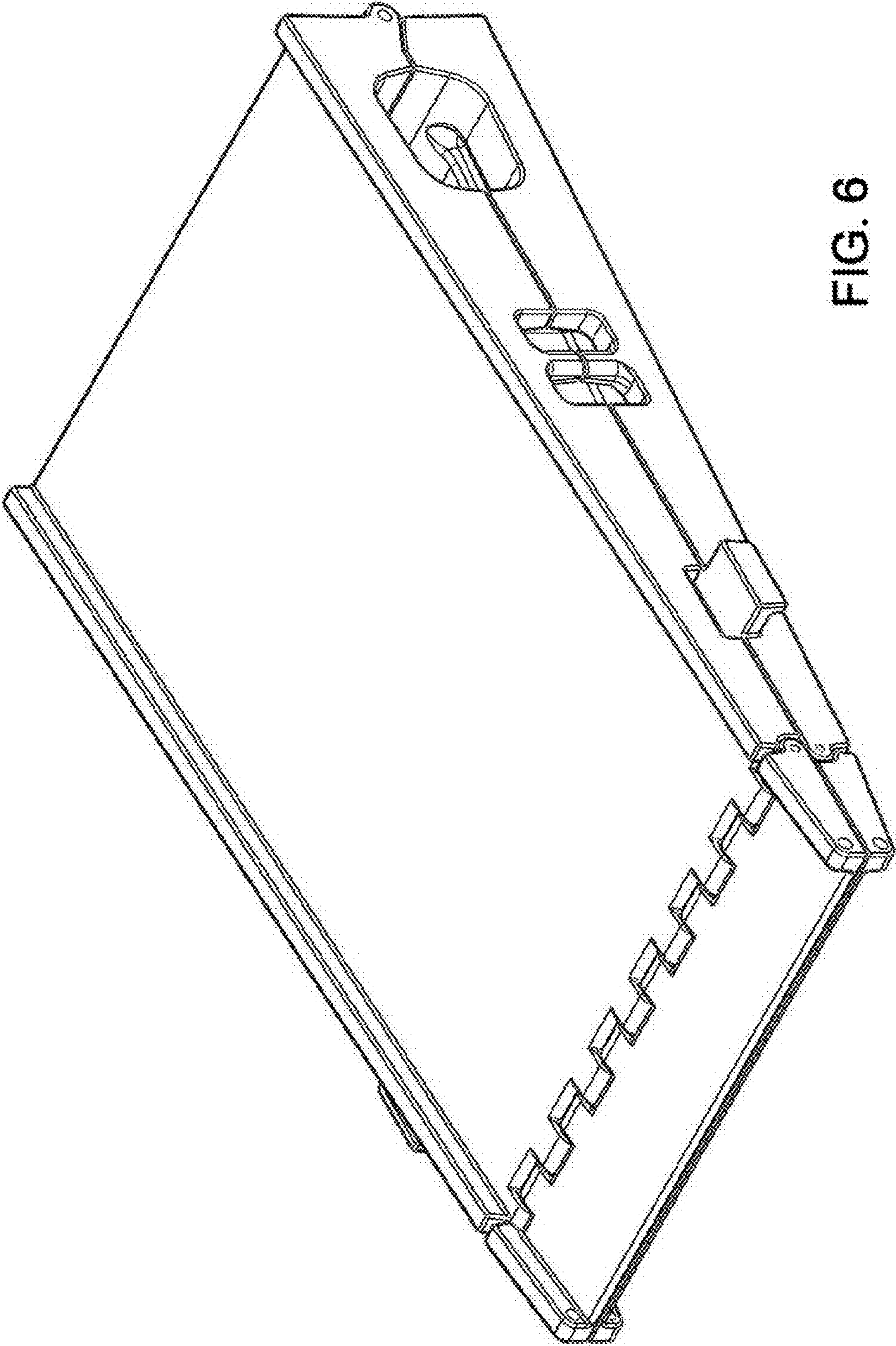


FIG. 6