



US00D706512S

(12) **United States Design Patent**
Harrah et al.

(10) **Patent No.:** **US D706,512 S**
(45) **Date of Patent:** **** Jun. 3, 2014**

(54) **JACK MOUNT**

(56) **References Cited**

(71) Applicants: **E. Austin Harrah**, Bloomfield, IN (US);
Patrick F. Simpson, Bloomfield, IN
(US)

U.S. PATENT DOCUMENTS

D59,883	S	*	12/1921	Avery	D34/31
D107,574	S	*	12/1937	Johnson	D34/31
4,042,202	A	*	8/1977	Molinari	248/352
D305,823	S	*	1/1990	Persson	D34/31
D384,482	S	*	9/1997	Thole	D34/31
7,147,211	B2	*	12/2006	Porter	254/93 H
D538,003	S	*	3/2007	Barnett	D34/31
7,207,548	B1	*	4/2007	Howe	254/98

(72) Inventors: **E. Austin Harrah**, Bloomfield, IN (US);
Patrick F. Simpson, Bloomfield, IN
(US)

* cited by examiner

(73) Assignee: **Bloomfield Manufacturing Co., Inc.**,
Bloomfield, IN (US)

Primary Examiner — Cynthia Ramirez

(**) Term: **14 Years**

(74) *Attorney, Agent, or Firm* — Ice Miller LLP

(21) Appl. No.: **29/448,691**

(57) **CLAIM**

The ornamental design for a jack mount, as shown and described.

(22) Filed: **Mar. 13, 2013**

DESCRIPTION

(51) **LOC (10) Cl.** **12-05**

FIG. 1 is a top perspective view of a jack mount, showing our new design;

(52) **U.S. Cl.**

FIG. 2 is a bottom perspective view thereof;

USPC **D34/31**

FIG. 3 is a front elevational view thereof, and the rear elevational view is a mirror image of the front elevational view thereof;

(58) **Field of Classification Search**

CPC B66F 1/08; B66F 13/00; B66F 3/42;
B66F 3/24; B66F 3/30; B66F 3/35; B66F
3/247; B66F 7/243

FIG. 4 is a side elevational view thereof, and the opposite side elevational view is a mirror image of the side elevational view thereof;

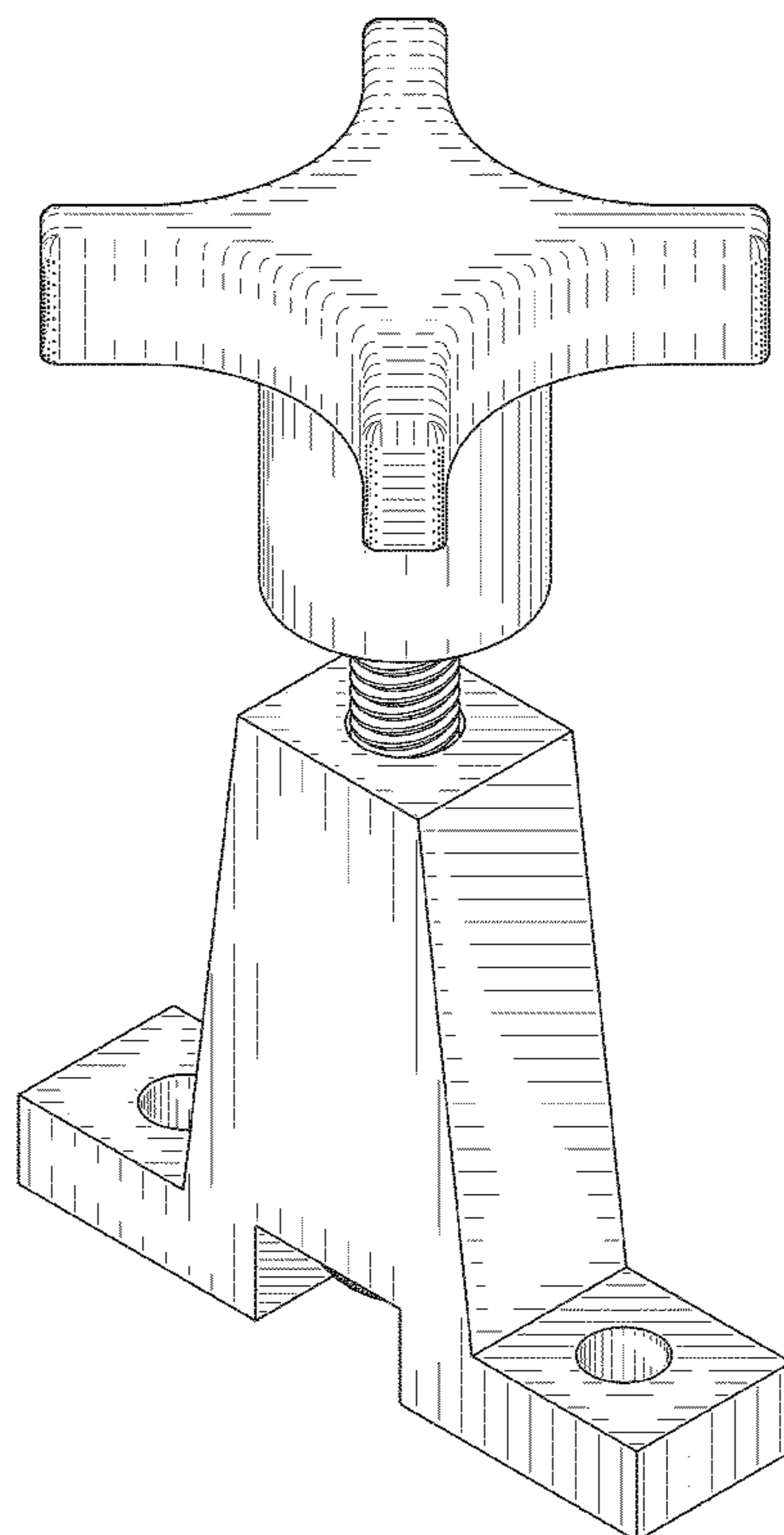
USPC D34/31; 254/93 R, 124, DIG. 1, 134,
254/126, 8 B, 2 R, 93 H

FIG. 5 is a top plan view thereof; and,

FIG. 6 is a bottom plan view thereof.

See application file for complete search history.

1 Claim, 5 Drawing Sheets



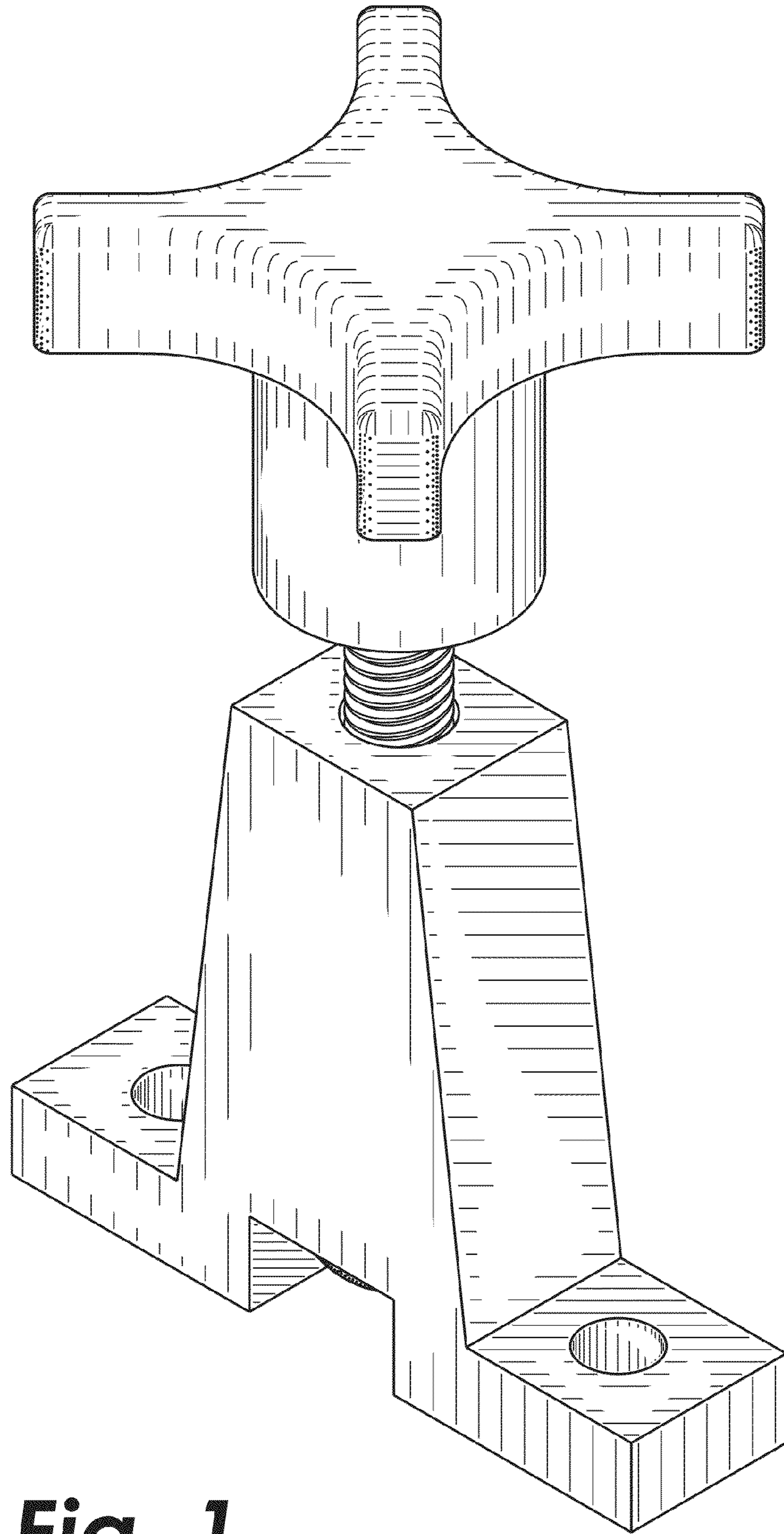


Fig. 1

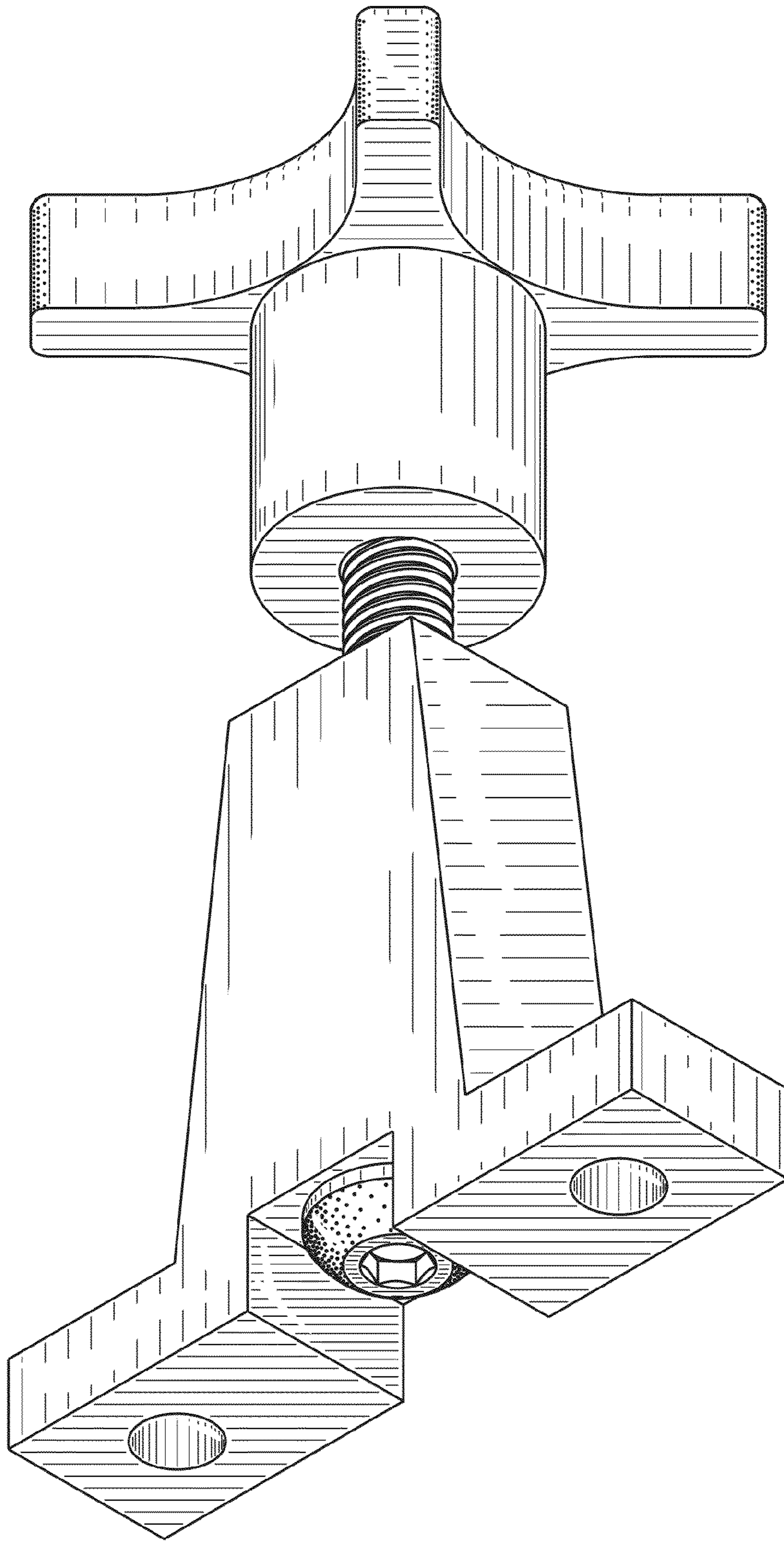


Fig. 2

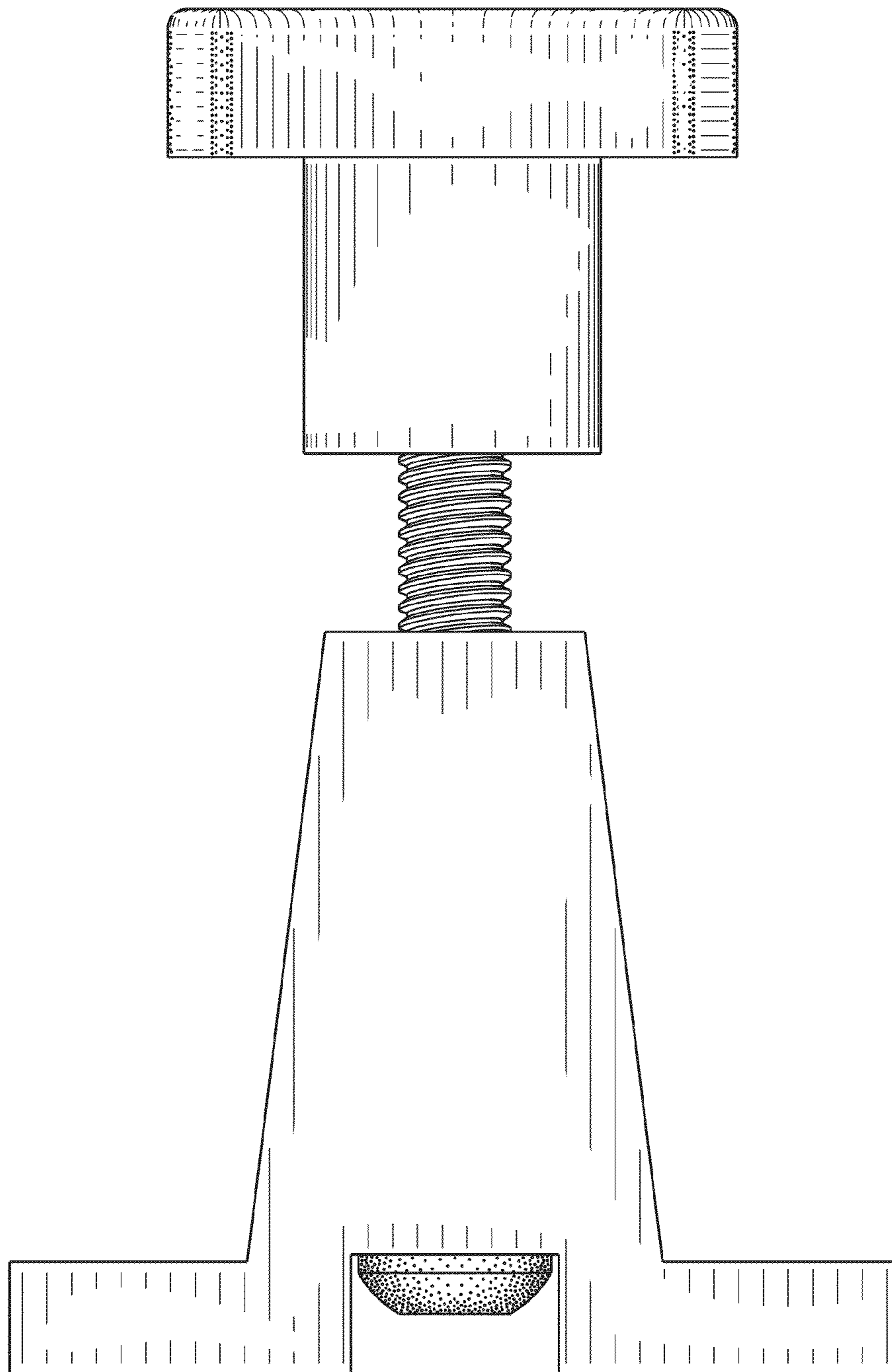


Fig. 3

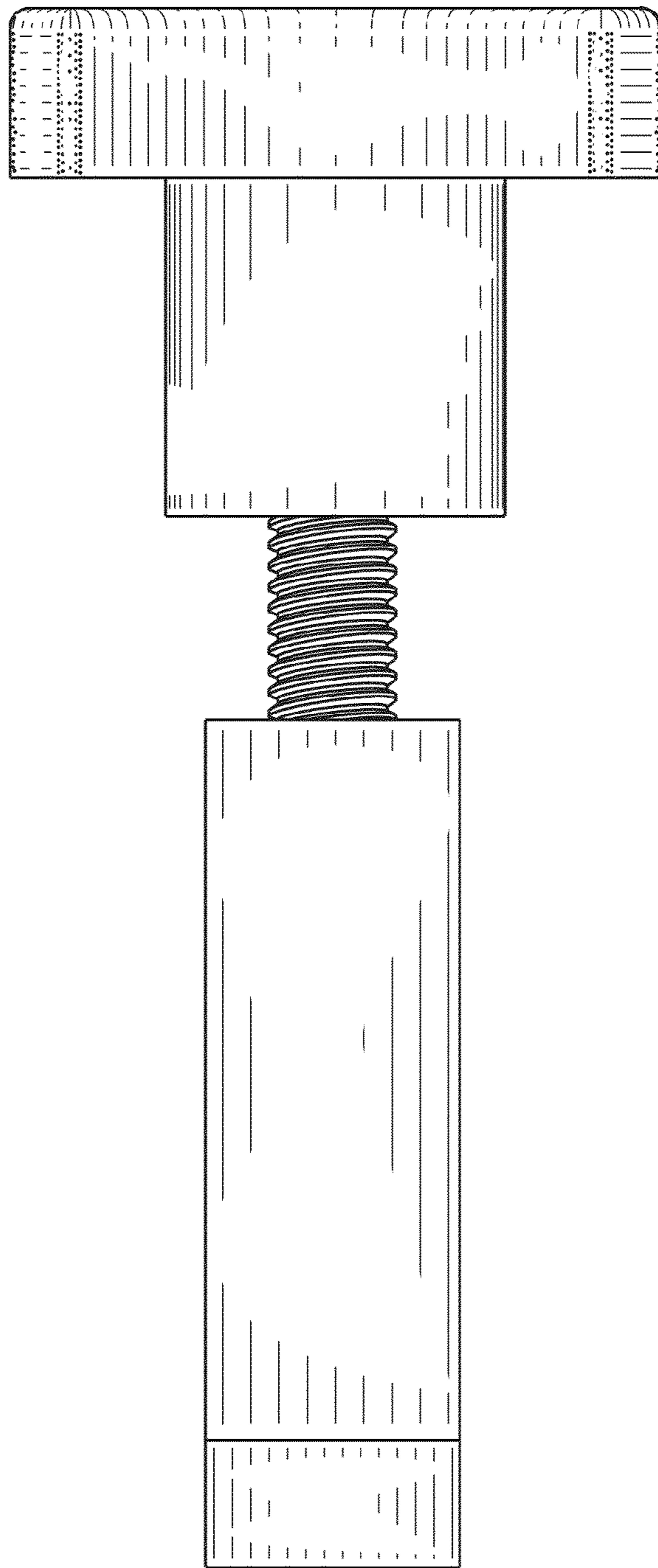


Fig. 4

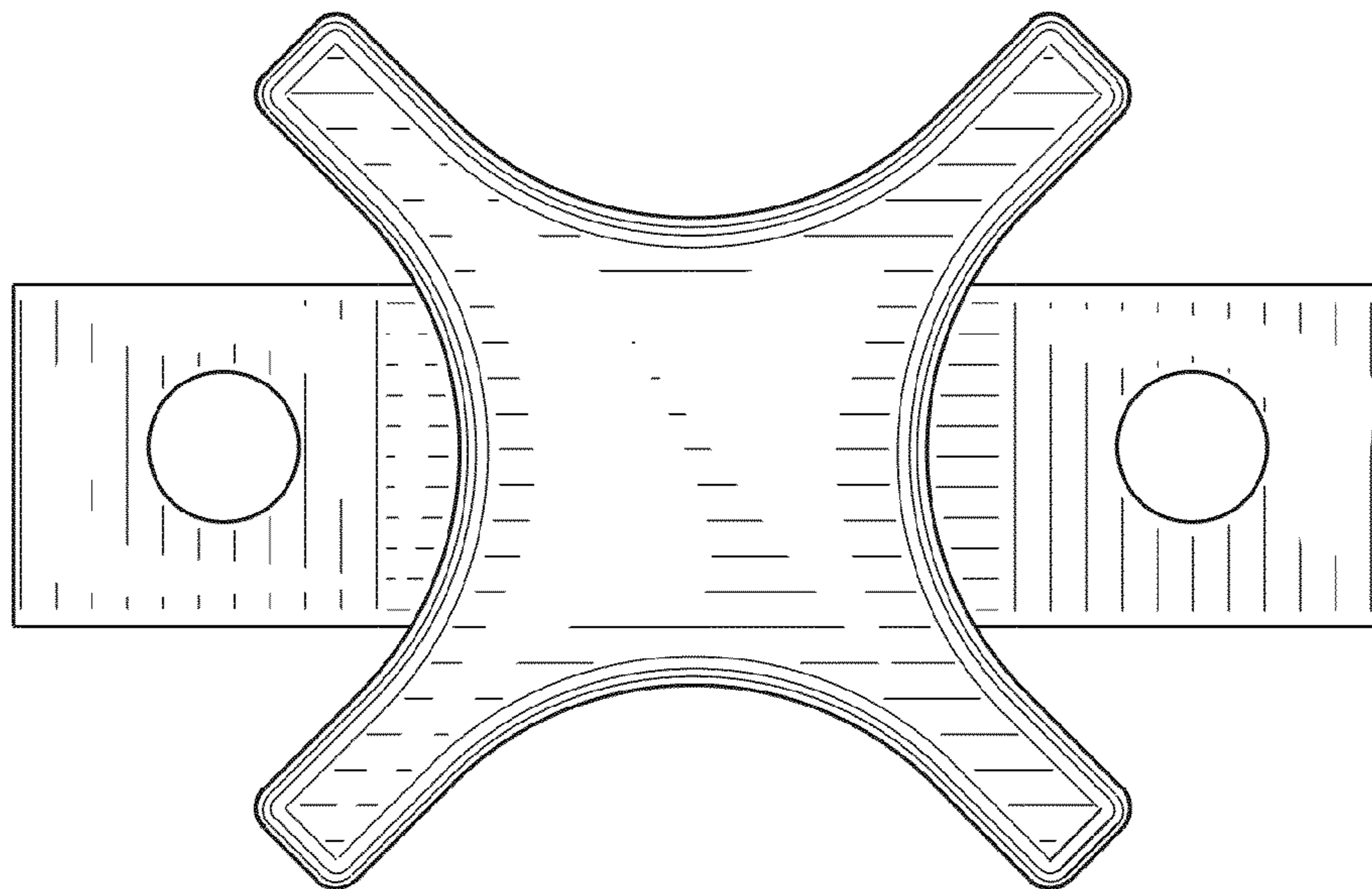


Fig. 5

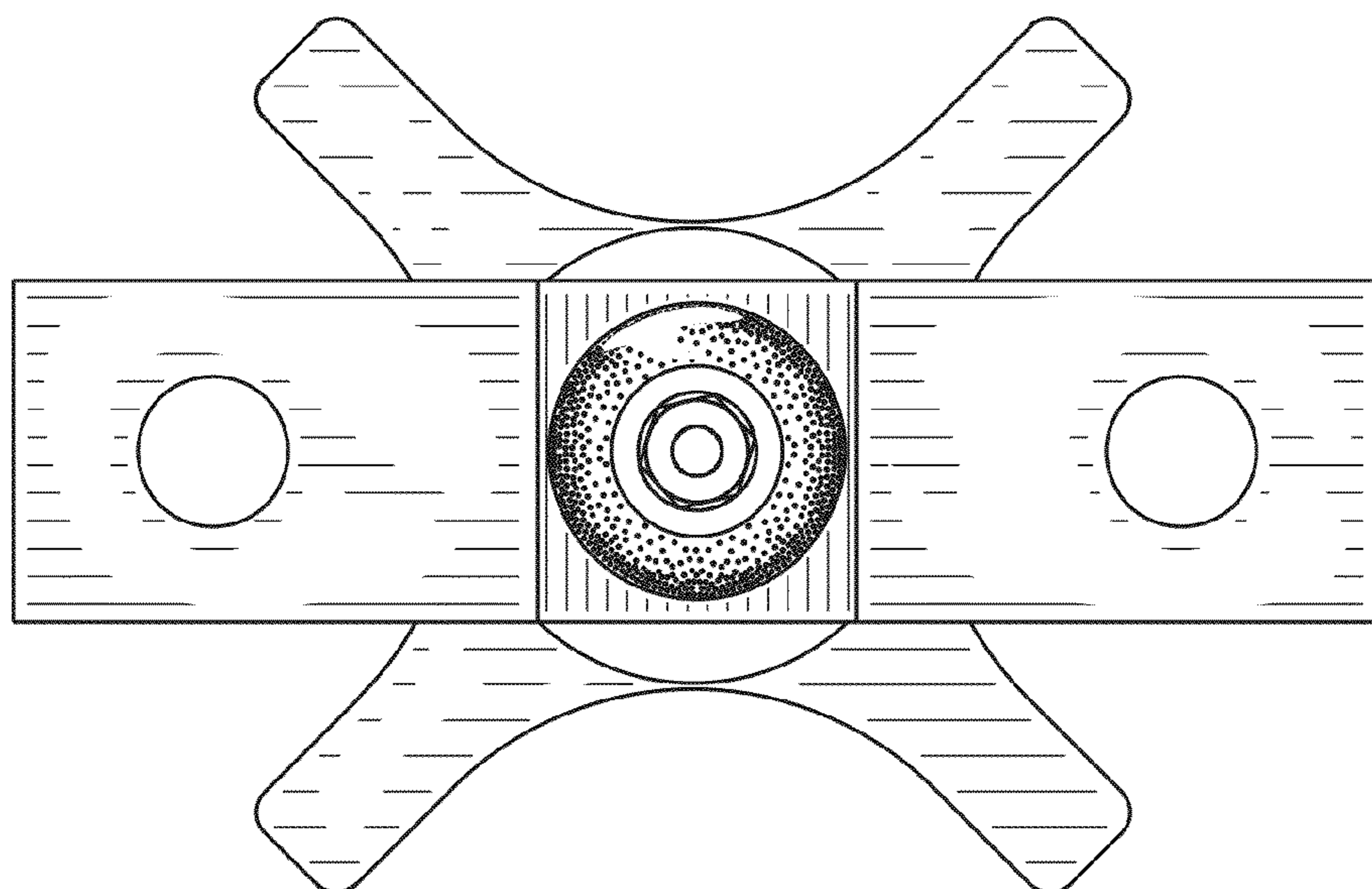


Fig. 6