



US00D706511S

(12) **United States Design Patent**
Beverluis

(10) **Patent No.:** **US D706,511 S**
(45) **Date of Patent:** **** Jun. 3, 2014**

(54) **COMBINED BAG RECYCLER AND HOLDER**

(71) Applicant: **Gabriel D Beverluis**, Grand Rapids, MI (US)

(72) Inventor: **Gabriel D Beverluis**, Grand Rapids, MI (US)

(**) Term: **14 Years**

(21) Appl. No.: **29/448,208**

(22) Filed: **Mar. 11, 2013**

(51) **LOC (10) Cl.** **09-09**

(52) **U.S. Cl.**
USPC **D34/1**

(58) **Field of Classification Search**
USPC D34/1-11; 220/908, 908.1, 909, 913;
248/95, 100, 97

See application file for complete search history.

5,108,000	A *	4/1992	Stoll et al.	220/23.4
5,111,951	A *	5/1992	Breen et al.	220/23.4
5,400,989	A	3/1995	Gaskill	
5,503,355	A	4/1996	Tan	
5,938,646	A *	8/1999	Carter	604/317
6,026,972	A *	2/2000	Makowski	220/495.08
6,102,239	A *	8/2000	Wien	220/495.07
6,152,407	A	11/2000	McKenzie	
6,460,814	B1	10/2002	Bolick	
6,726,156	B1	4/2004	Scola	
6,817,581	B1	11/2004	McAllister	
D548,915	S	8/2007	Yang et al.	
D661,447	S *	6/2012	Kluck	D34/1
2001/0052522	A1 *	12/2001	Forest	220/495.07

* cited by examiner

Primary Examiner — Cynthia Ramirez

(74) *Attorney, Agent, or Firm* — Price Heneveld LLP

(57) **CLAIM**

The ornamental design for a combined bag recycler and holder, as shown and described.

DESCRIPTION

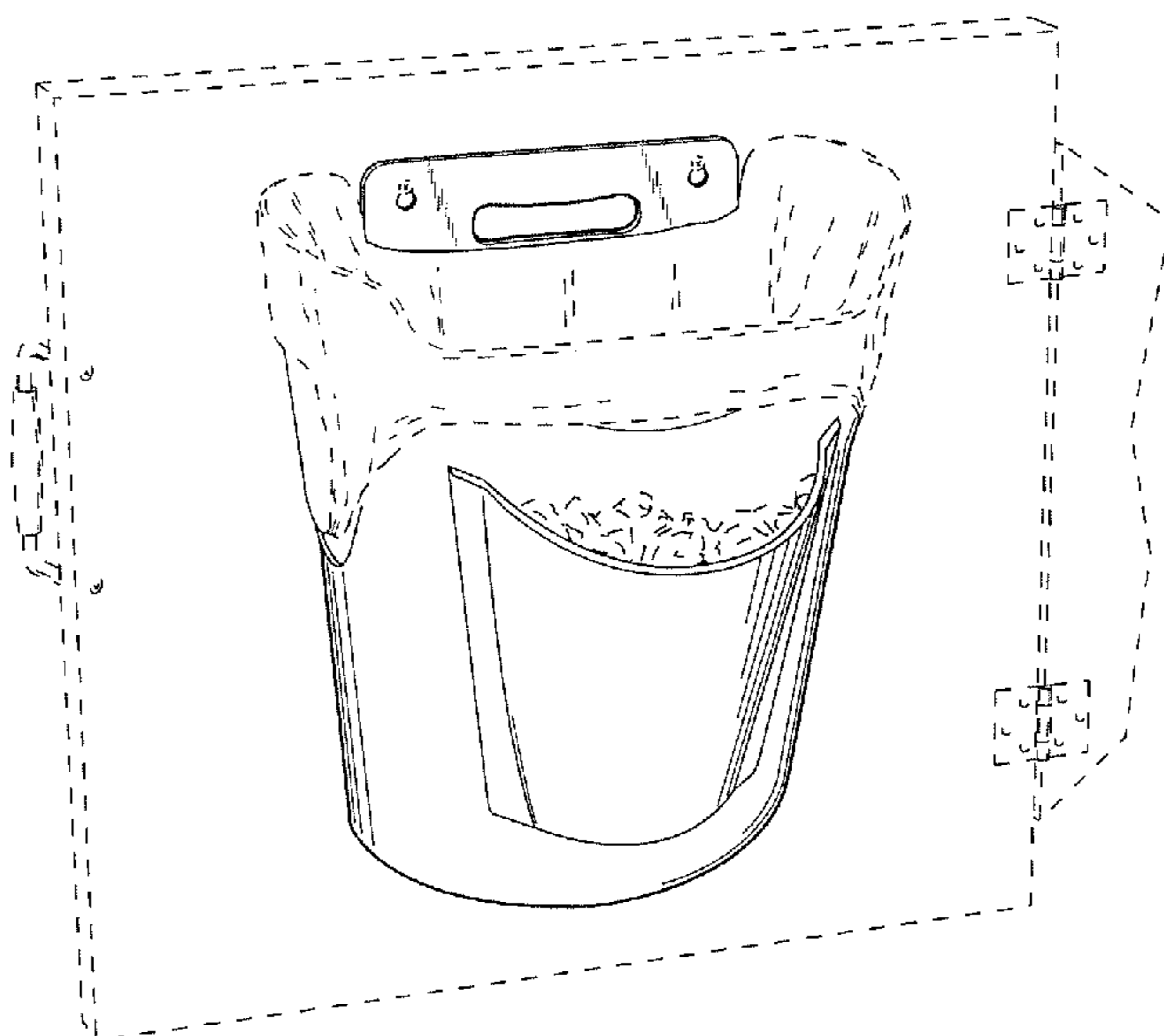
FIG. 1 is a perspective view of the present combined bag recycler and holder showing my new design; FIG. 2 is another perspective view thereof; FIG. 3 is a front view thereof; FIG. 4 is a side view thereof, the other side being a mirror image thereof; FIG. 5 is a top plan view thereof; FIG. 6 is a bottom plan view thereof; and, FIG. 7 is a rear view thereof. The broken line showing of a cabinet and bag in FIG. 1 is included for the purpose of illustrating environment and forms no part of the claimed design.

1 Claim, 3 Drawing Sheets

(56) **References Cited**

U.S. PATENT DOCUMENTS

D223,402	S *	4/1972	McGoff	D34/1
3,664,622	A	5/1972	Vaccaro	
D228,059	S *	8/1973	Woofter	D34/1
4,316,591	A	2/1982	Muraoka	
4,695,020	A	9/1987	Collins	
4,881,706	A	11/1989	Sedlik	
D306,929	S *	3/1990	Flowers	D34/6
4,930,735	A	6/1990	Lax	
4,957,252	A	9/1990	Watkins	
5,027,965	A *	7/1991	Dumars	220/694
5,056,679	A	10/1991	Lonczak	
5,058,764	A *	10/1991	Gaba	220/481
D321,772	S *	11/1991	Johnson	D34/1
5,065,886	A *	11/1991	Sher	220/812



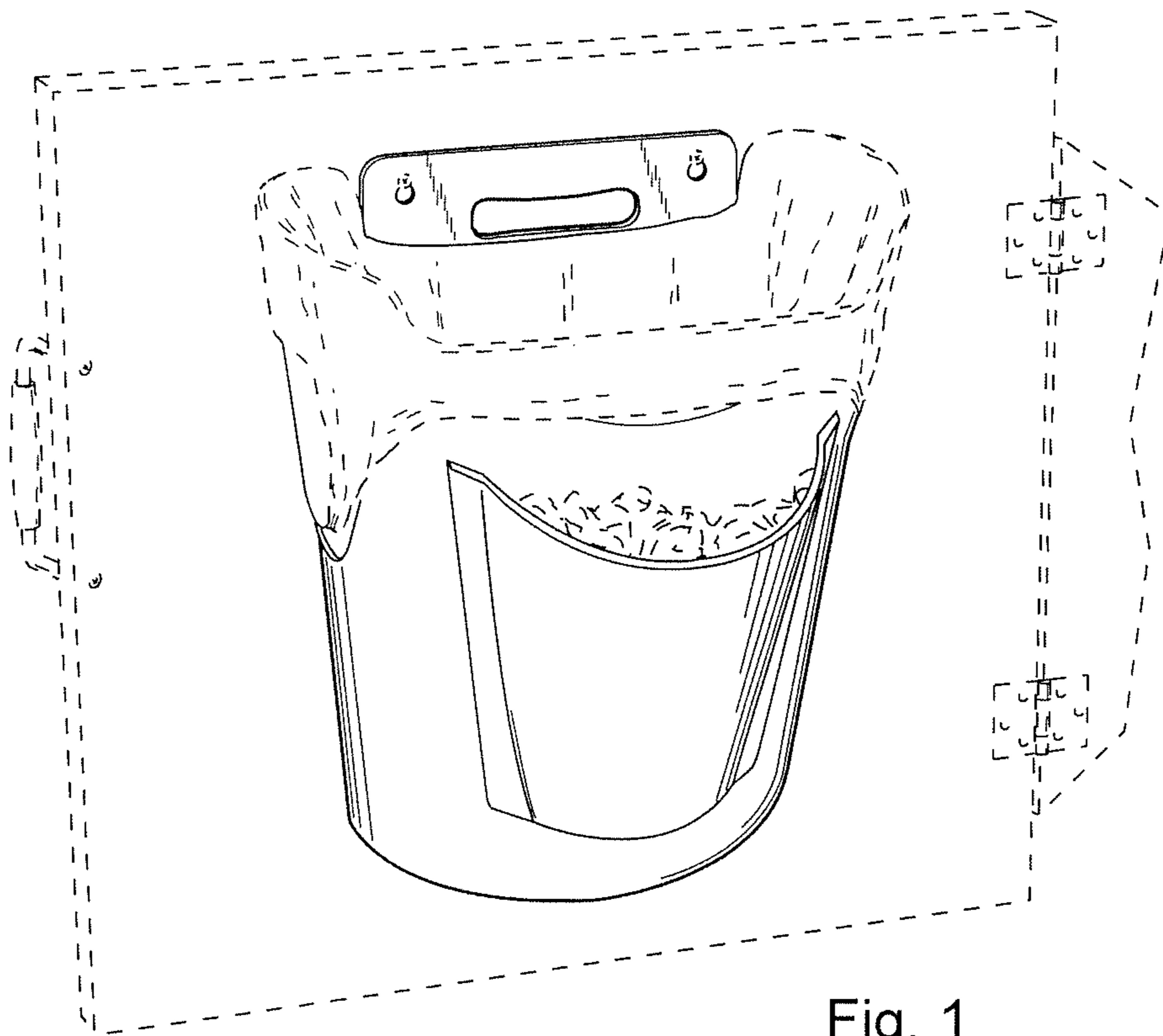


Fig. 1

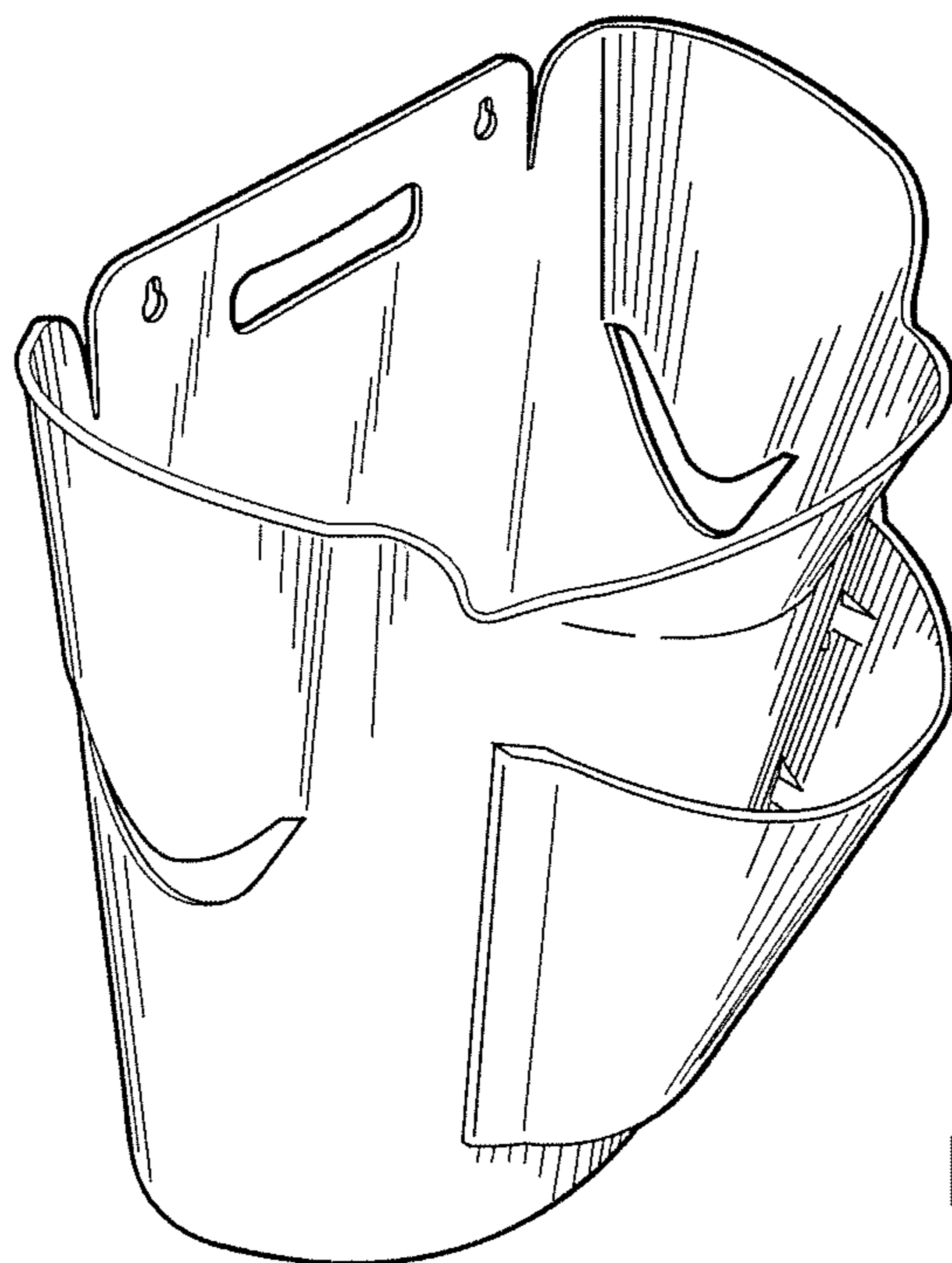


Fig.2

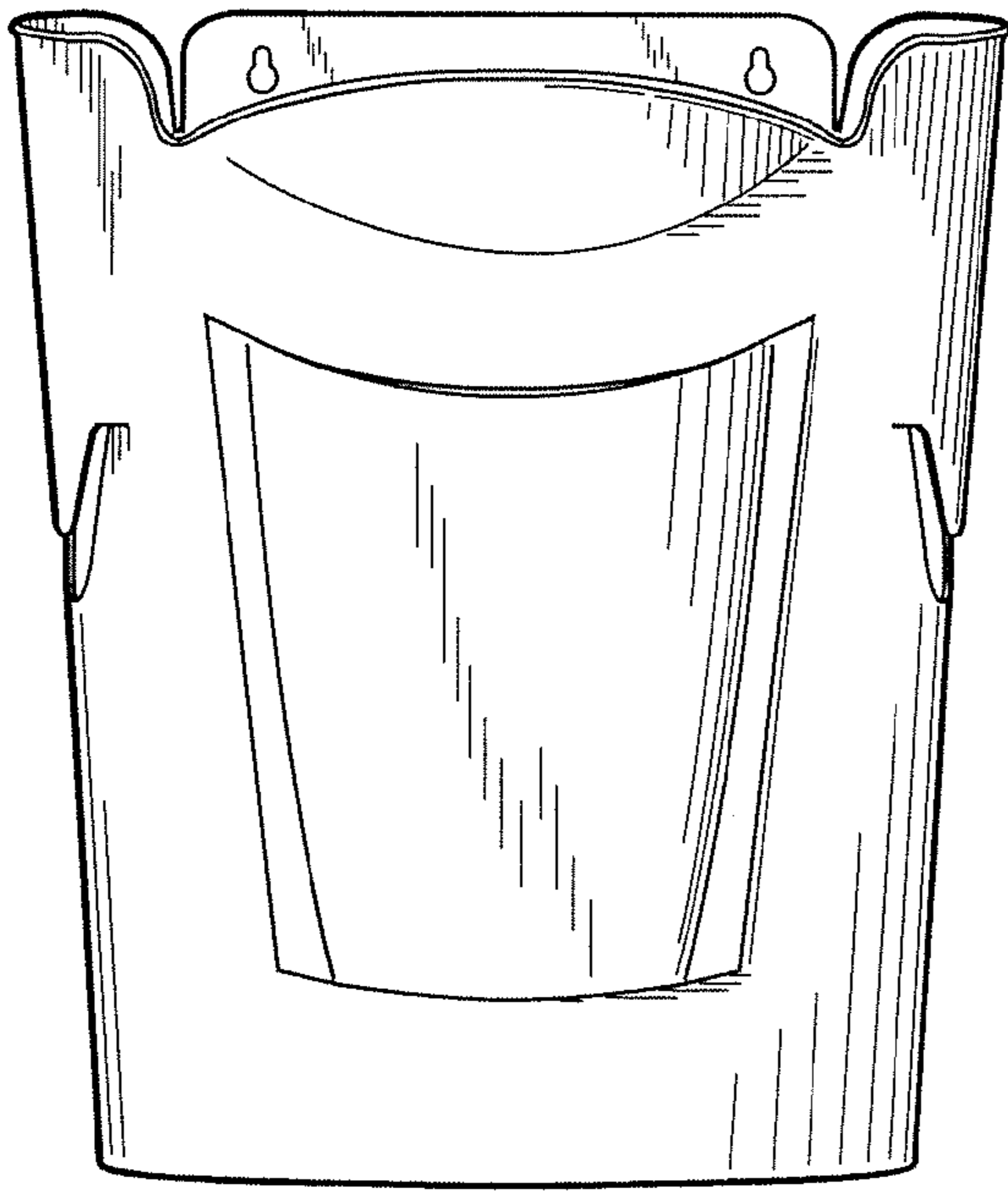


Fig. 3

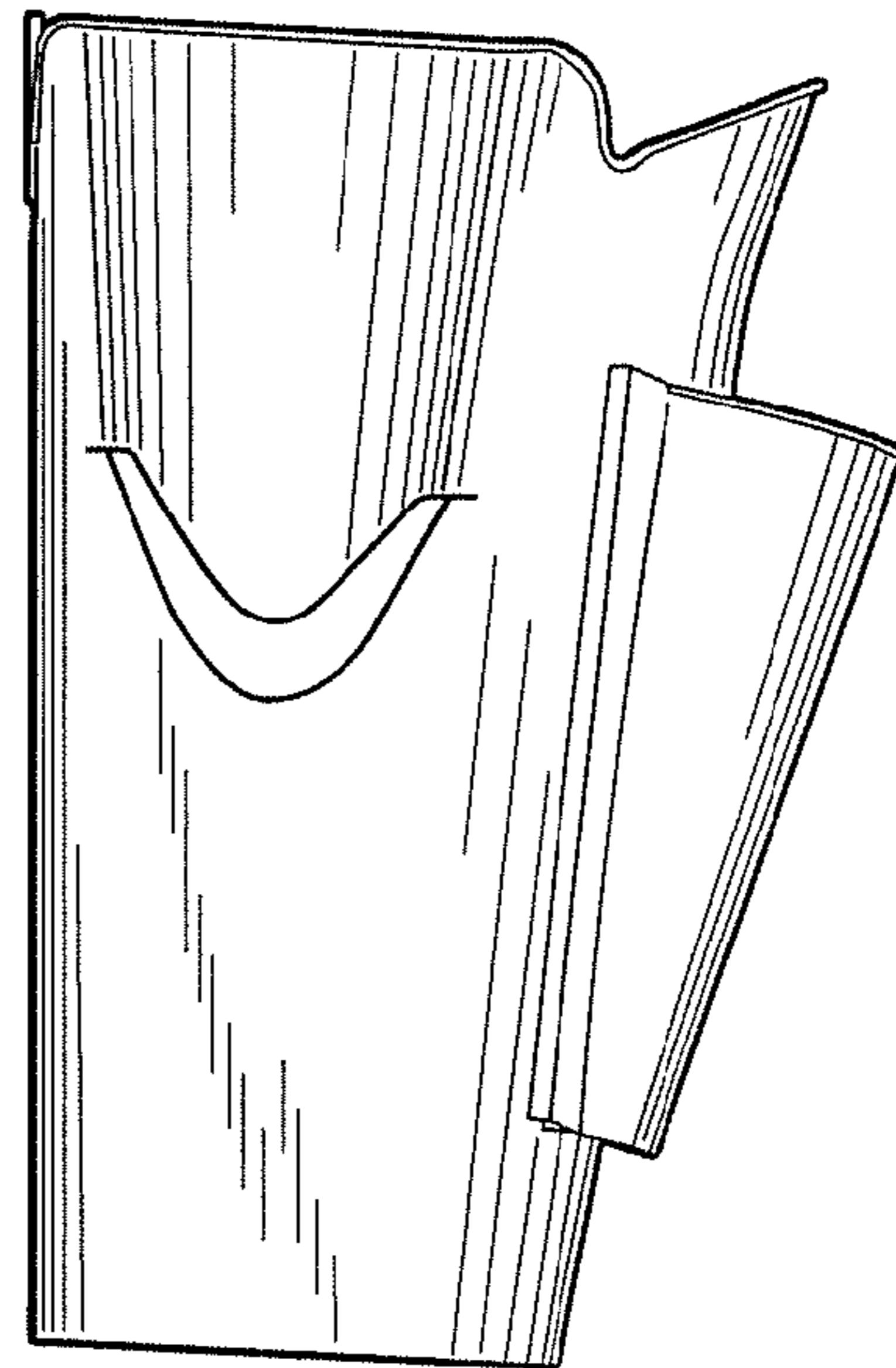


Fig. 4

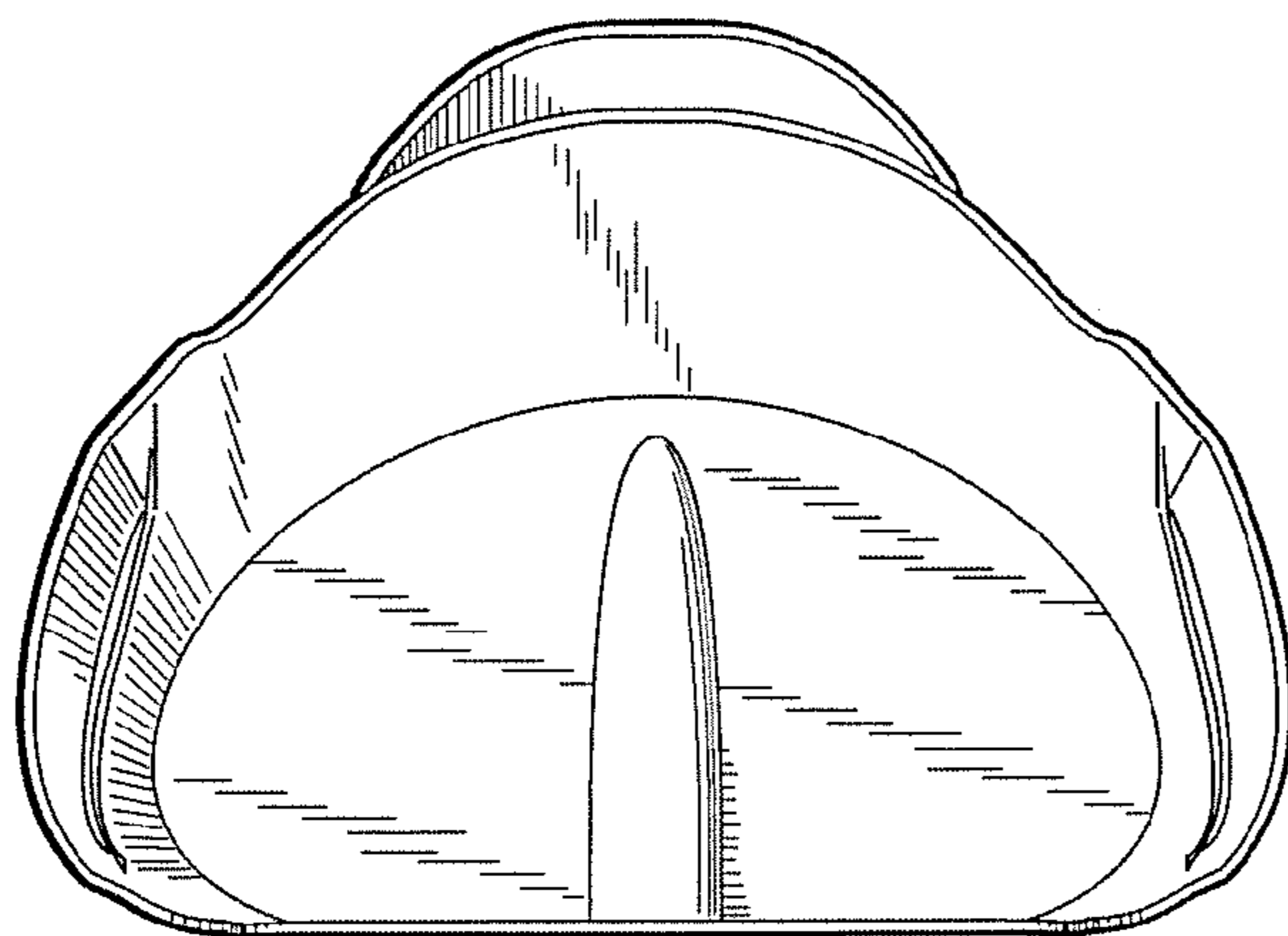


Fig. 5

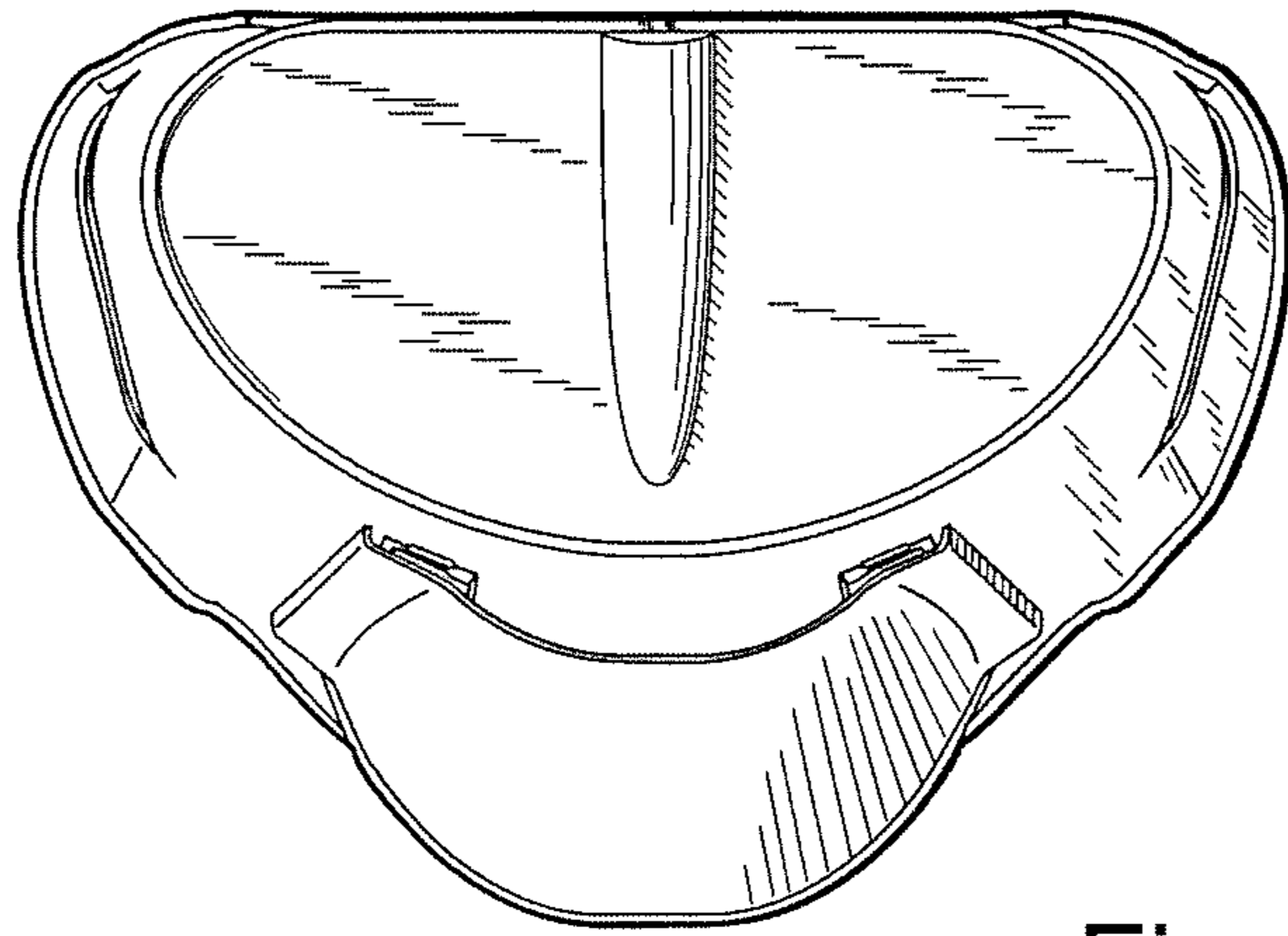


Fig. 6

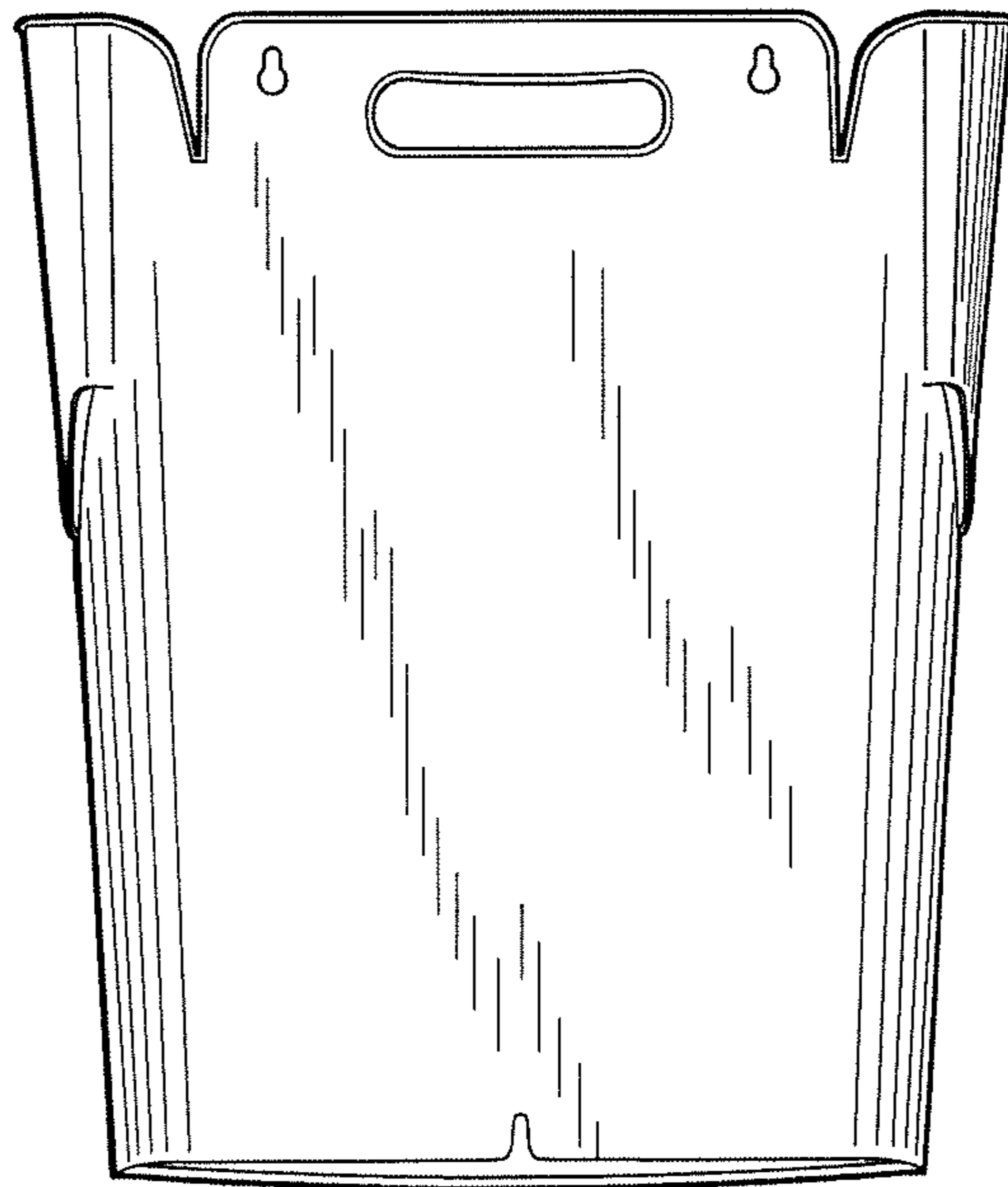


Fig. 7