



US00D706510S

(12) **United States Design Patent**  
**Lerner**

(10) **Patent No.:** **US D706,510 S**  
(45) **Date of Patent:** **\*\* Jun. 3, 2014**

- (54) **DRYING RACK ASSEMBLY**
- (71) Applicant: **Polder Housewares, Inc.**, Oxford, CT (US)
- (72) Inventor: **Ran Lerner**, New York, NY (US)
- (73) Assignee: **Polder Housewares, Inc.**, Oxford, CT (US)
- (\*\*) Term: **14 Years**
- (21) Appl. No.: **29/472,344**
- (22) Filed: **Nov. 12, 2013**
- (51) **LOC (10) Cl.** ..... **07-05**
- (52) **U.S. Cl.**  
USPC ..... **D32/55**
- (58) **Field of Classification Search**  
USPC ..... D32/55, 276, 3; D6/510, 525; D30/133;  
211/41.5, 41.4, 41.3, 41.8; 361/679.4;  
312/311, 333, 334.4; D7/354, 629  
See application file for complete search history.

D555,311 S *	11/2007	Yang et al.	.....	D32/55
D581,619 S *	11/2008	Yang et al.	.....	D32/55
D599,068 S *	8/2009	Yang et al.	.....	D32/55
D647,678 S *	10/2011	Yang et al.	.....	D32/55
D690,069 S *	9/2013	Sofy et al.	.....	D32/55
D693,081 S *	11/2013	Yang et al.	.....	D32/55
2005/0269273 A1 *	12/2005	Yang et al.	.....	211/41.4
2008/0116155 A1 *	5/2008	Yang et al.	.....	211/41.3

\* cited by examiner

*Primary Examiner* — Austin Murphy

(74) *Attorney, Agent, or Firm* — Duane Morris LLP

(57) **CLAIM**

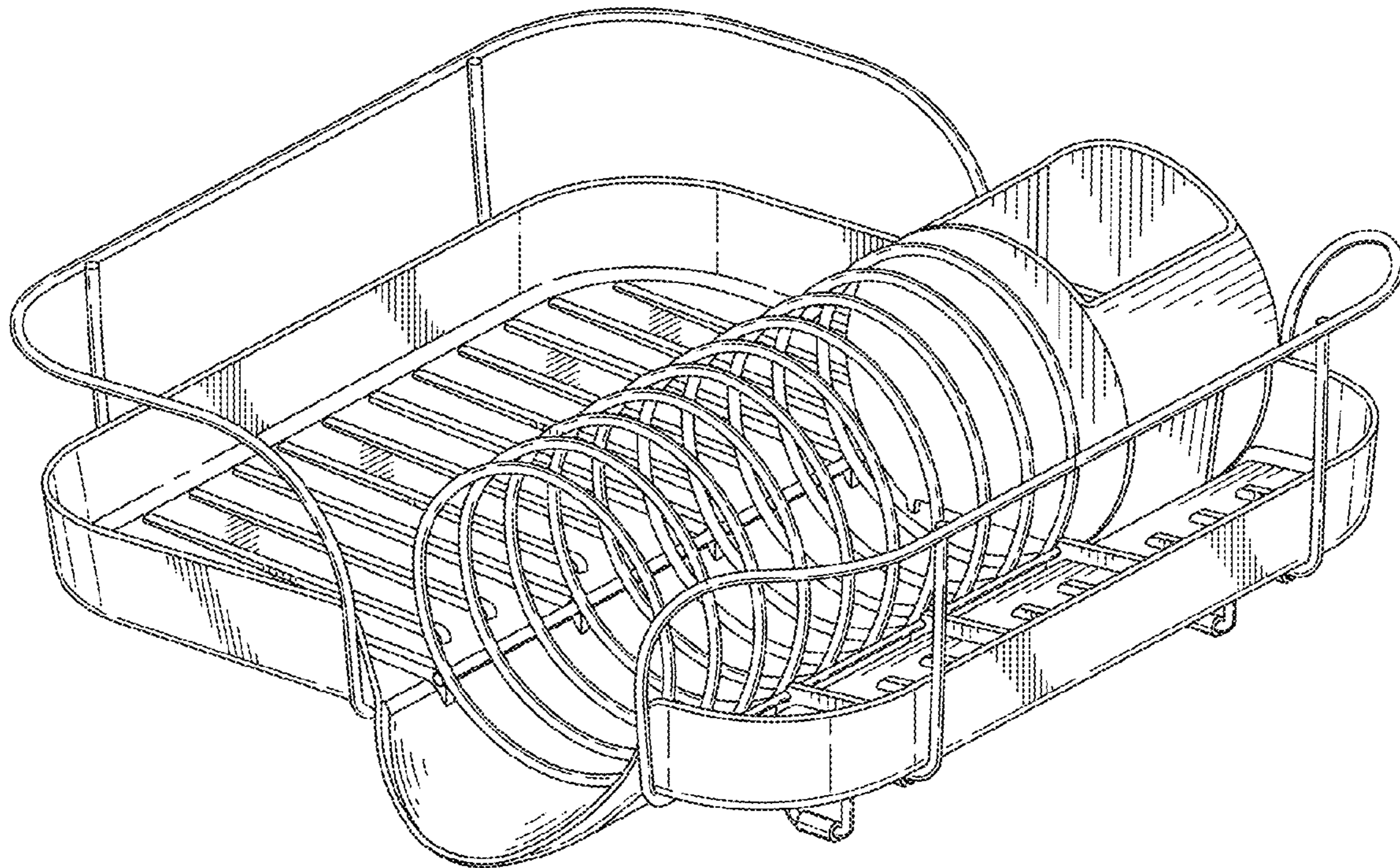
The ornamental design for a drying rack assembly, as shown and described in the Figures.

**DESCRIPTION**

FIG. 1 is a perspective view of the drying rack assembly; FIG. 2 is a top side view of the drying rack assembly; FIG. 3 is a bottom side view of the drying rack assembly; FIG. 4 is a front side view of the drying rack assembly; FIG. 5 is a rear side view of the drying rack assembly; FIG. 6 is a side view of the drying rack base assembly; and, FIG. 7 is a side view of the drying rack assembly that is opposite the side illustrated in FIG. 6. The broken line showing of structure is for illustrative purposes only, and forms no part of the claimed design.

**1 Claim, 5 Drawing Sheets**

- (56) **References Cited**  
U.S. PATENT DOCUMENTS  
D554,818 S \* 11/2007 Murray ..... D32/55  
D554,819 S \* 11/2007 Shah ..... D32/55  
D555,310 S \* 11/2007 Yang et al. .... D32/55



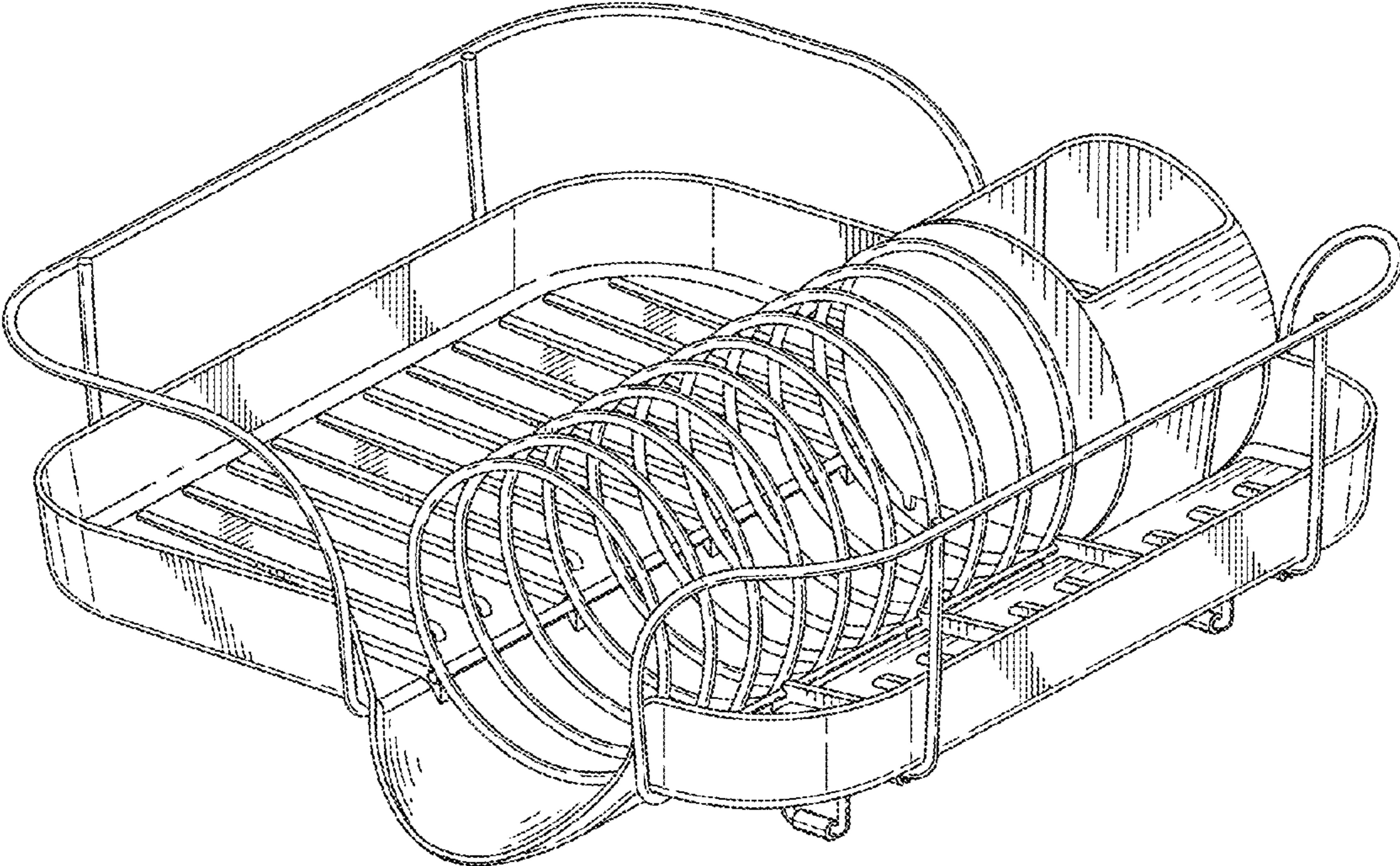


FIG. 1

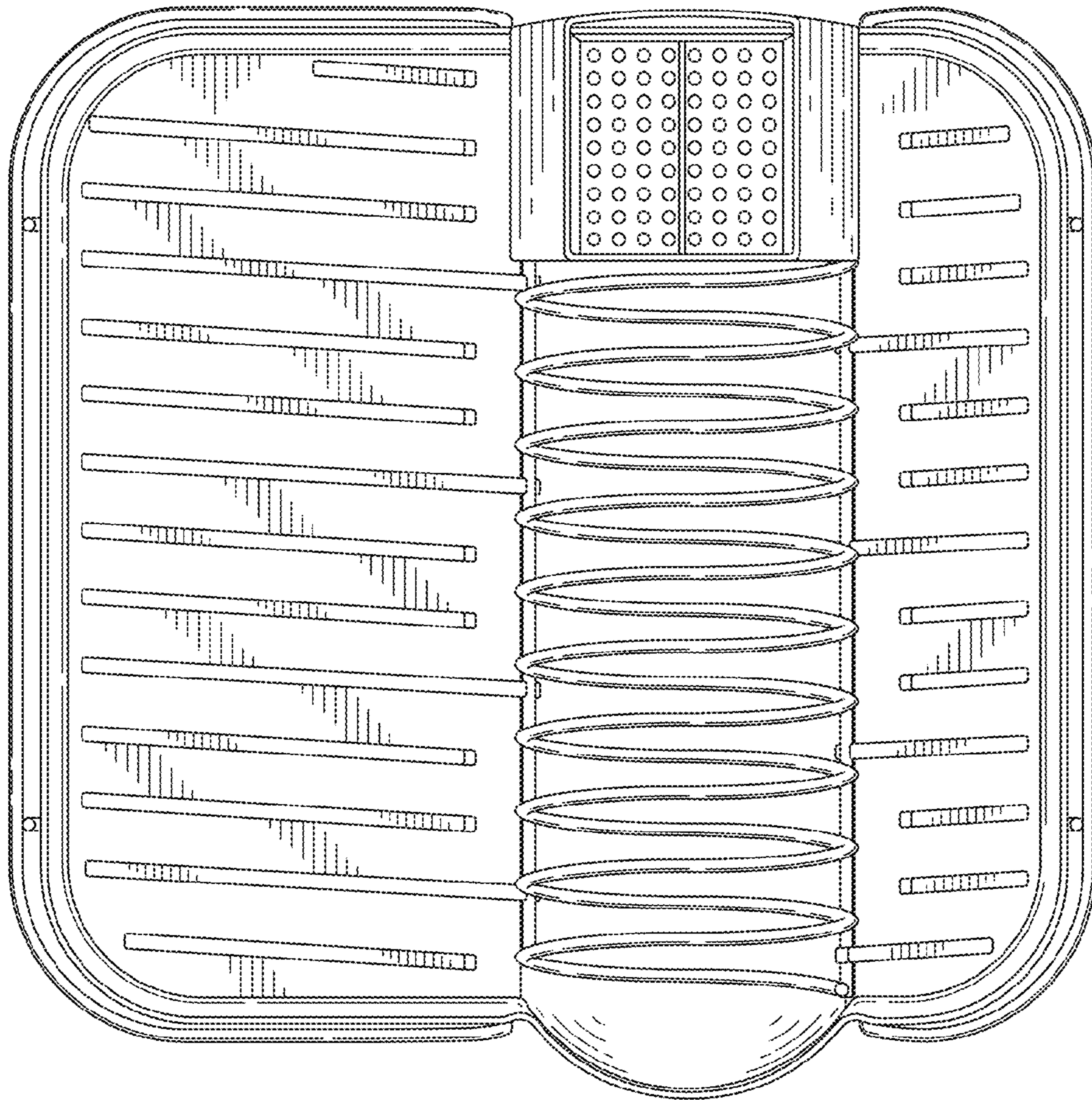


FIG. 2

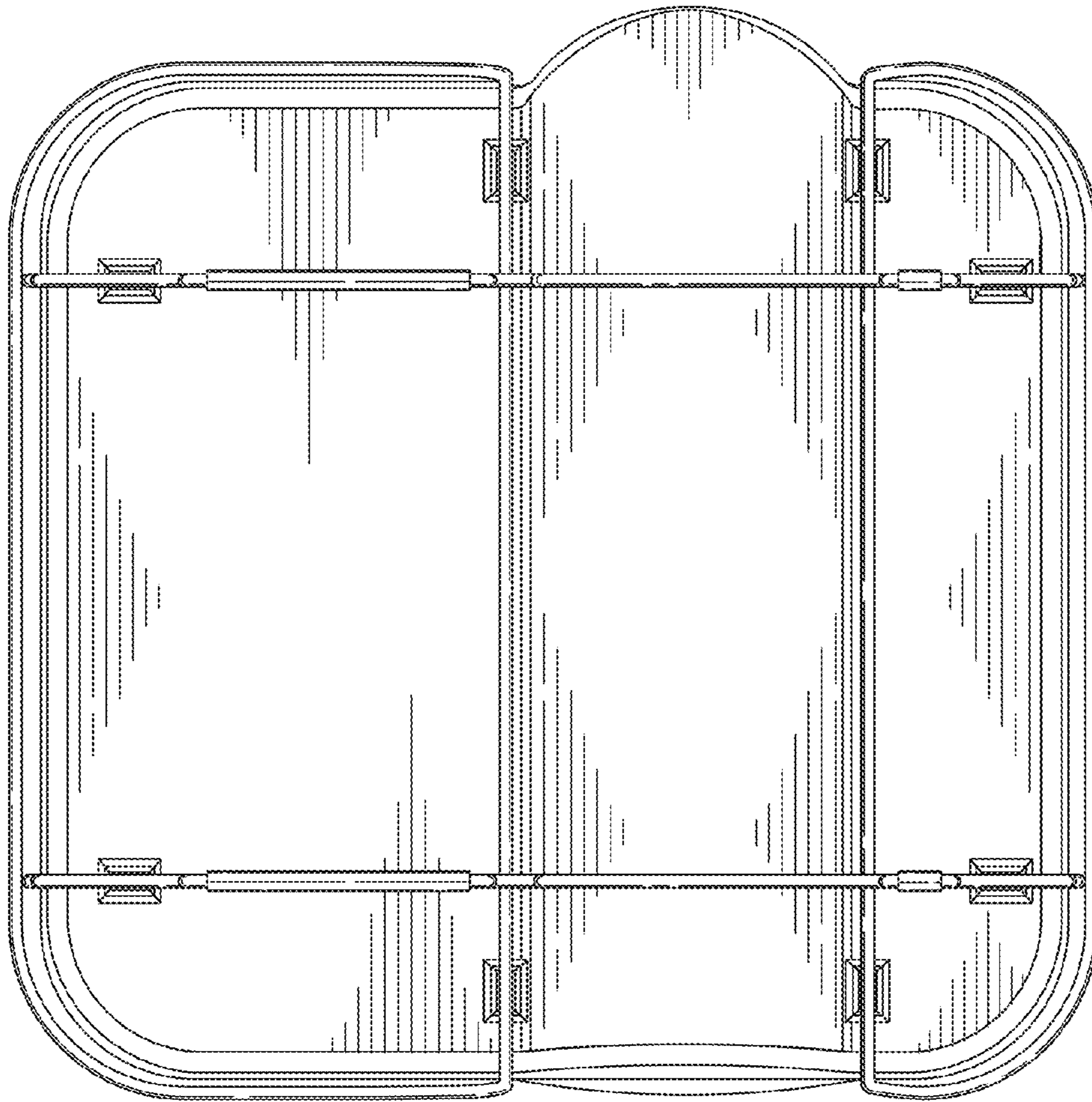


FIG. 3

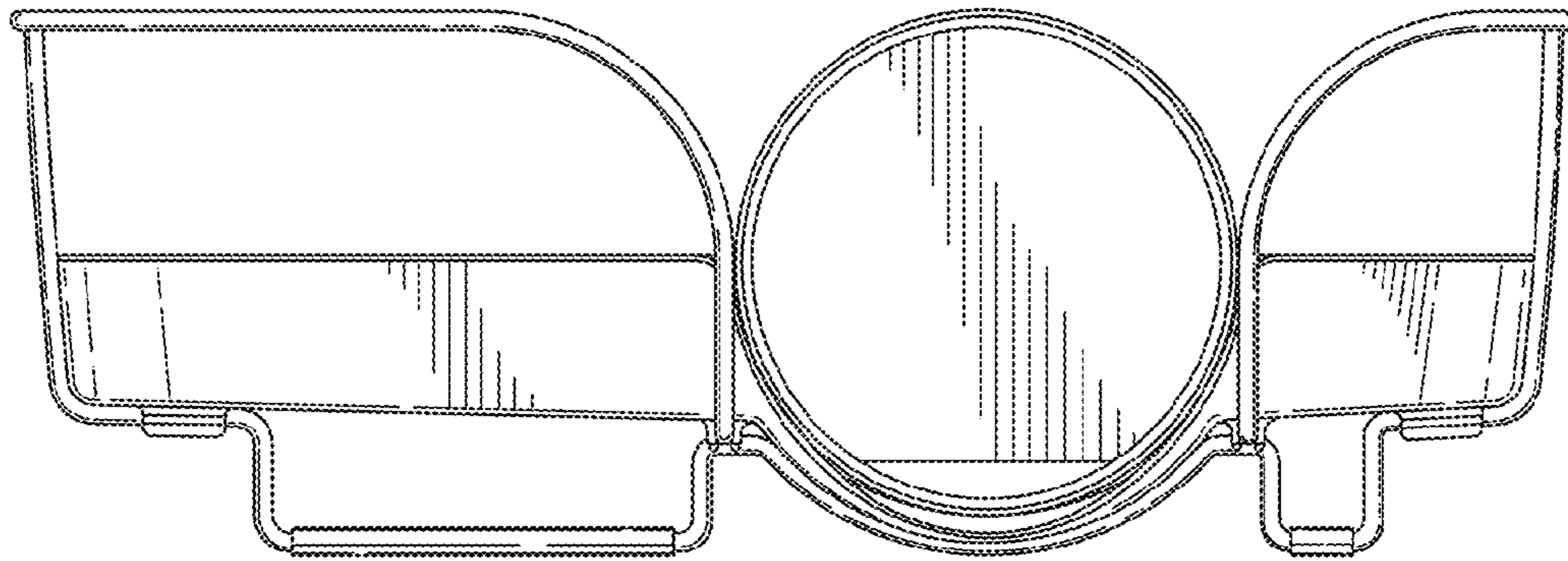


FIG. 4

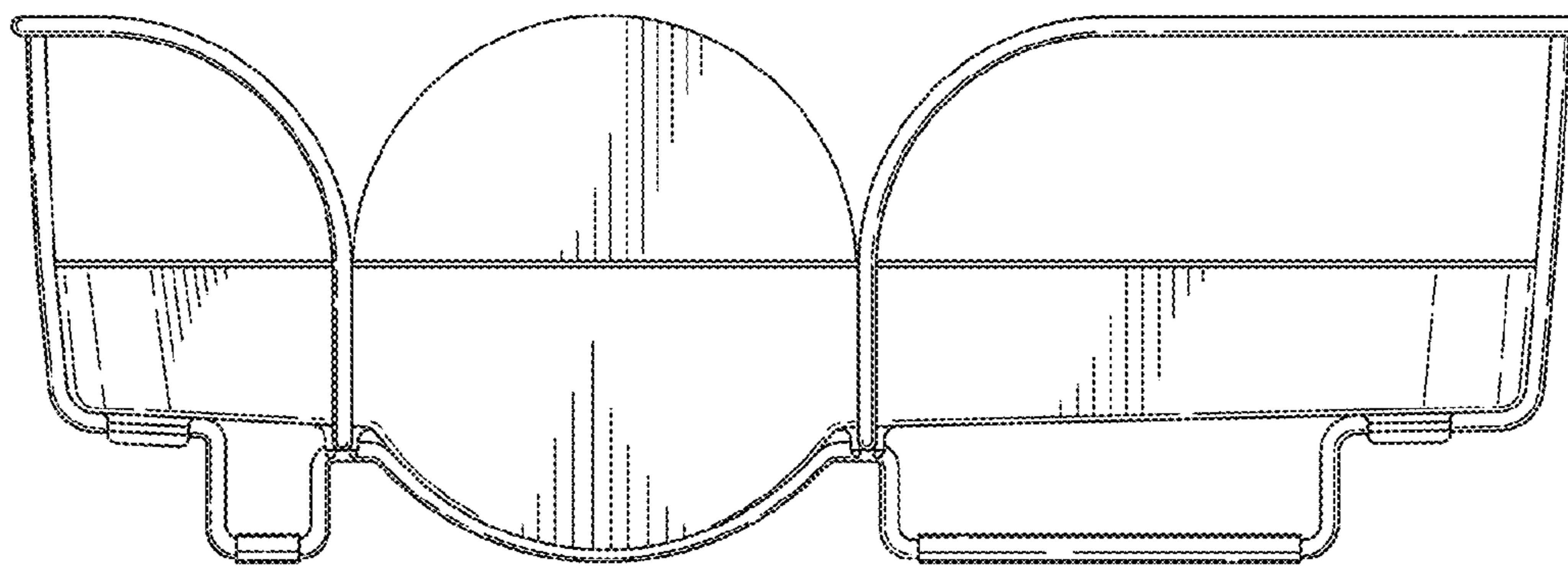


FIG. 5

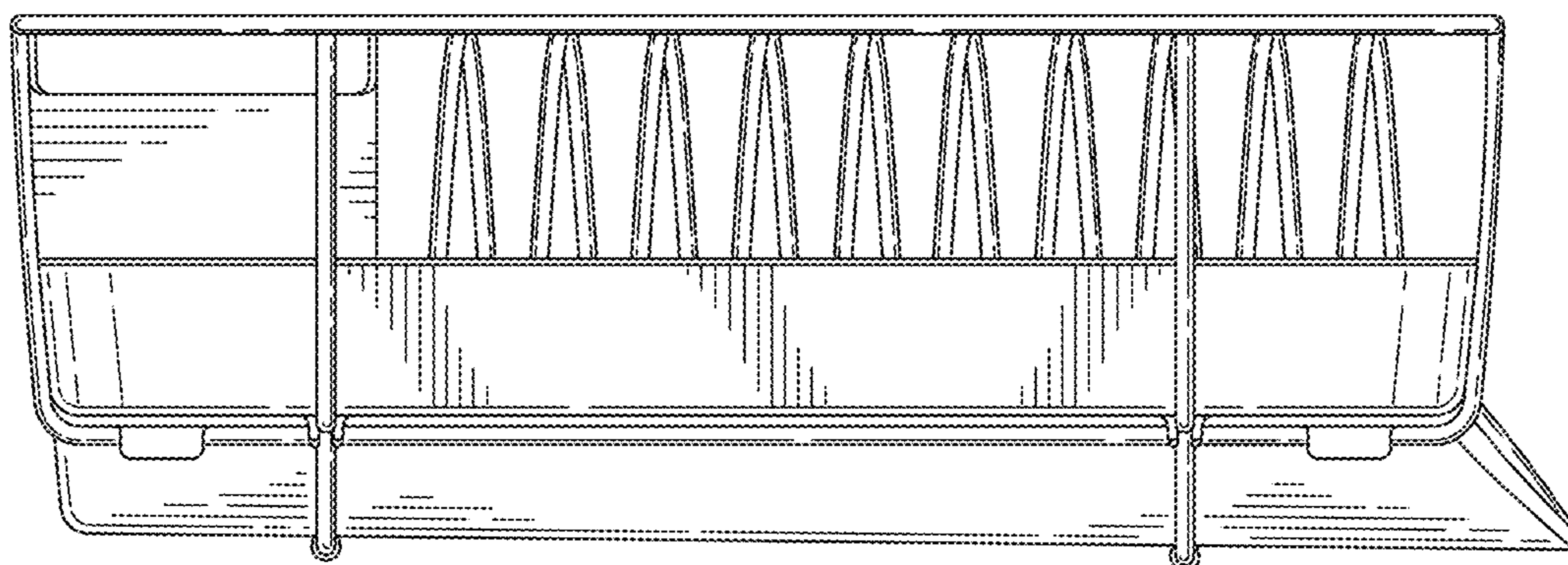


FIG. 6

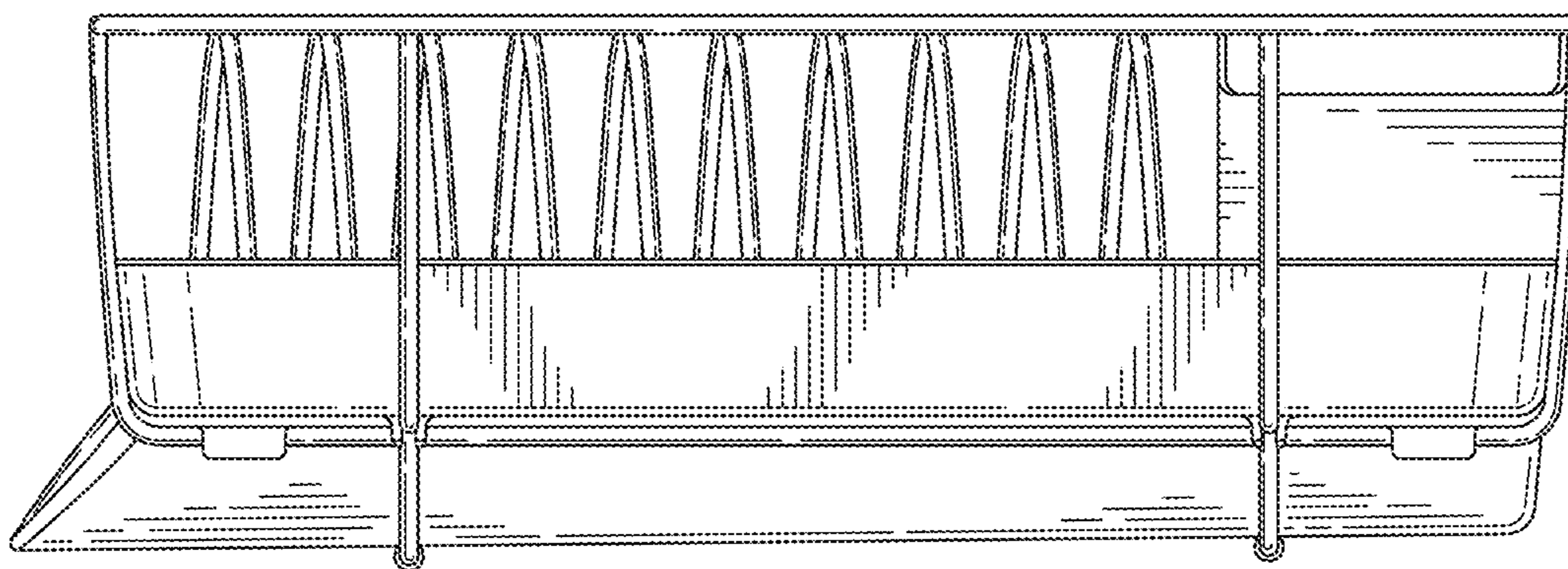


FIG. 7