

US00D706509S

(12) **United States Design Patent**
Morris, Jr.

(10) **Patent No.:** **US D706,509 S**
(45) **Date of Patent:** **** Jun. 3, 2014**

(54) **RECTANGULAR PAIL**

(71) Applicant: **Glenn H. Morris, Jr.**, Chattanooga, TN
(US)

(72) Inventor: **Glenn H. Morris, Jr.**, Chattanooga, TN
(US)

(**) Term: **14 Years**

(21) Appl. No.: **29/454,760**

(22) Filed: **May 14, 2013**

(51) **LOC (10) Cl.** **07-07**

(52) **U.S. Cl.**
USPC **D32/53**

(58) **Field of Classification Search**
USPC D32/53, 53.1, 54; D34/23; 280/79.5;
15/260–264; 220/904
See application file for complete search history.

(56) **References Cited**

U.S. PATENT DOCUMENTS

D233,218 S * 10/1974 Lynn D32/53
4,713,859 A * 12/1987 Smith, Jr. 15/264
D295,093 S * 4/1988 Tapdrup D32/53

D327,555 S * 6/1992 Juergens D34/1
D506,608 S * 6/2005 Dong D3/276
D593,269 S * 5/2009 Weiler D32/53
D688,018 S * 8/2013 Duquenoey et al. D32/53

* cited by examiner

Primary Examiner — Robin V Webster

(74) *Attorney, Agent, or Firm* — Stephen J. Stark; Miller & Martin PLLC

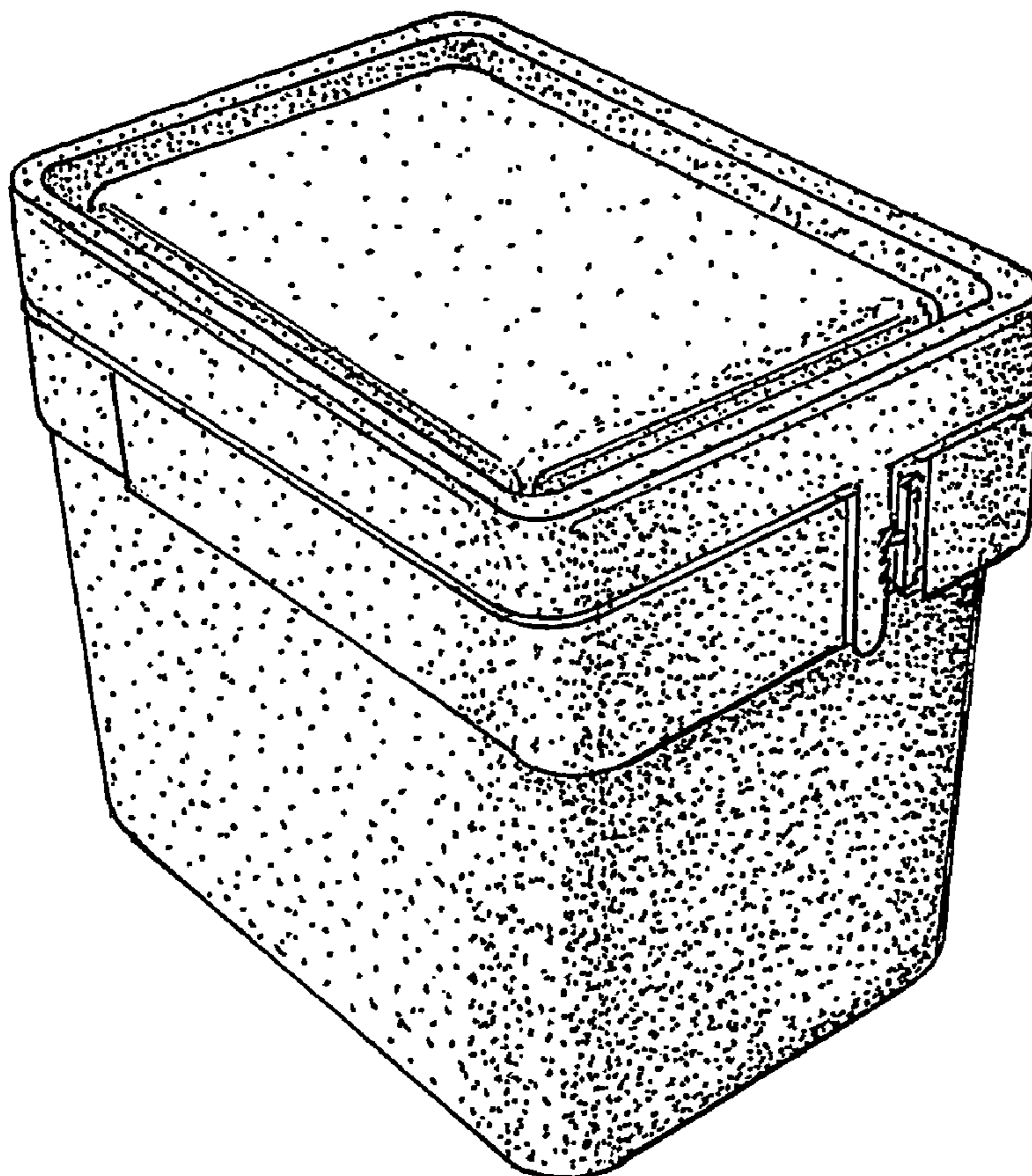
(57) **CLAIM**

The ornamental design for a rectangular pail, as shown and described.

DESCRIPTION

FIG. 1 is a top perspective view of a rectangular pail embodying my new design in a closed configuration;
FIG. 2 is a front plan view thereof;
FIG. 3 is a side plan view thereof; the right side being a mirror image thereof;
FIG. 4 is a rear plan view thereof;
FIG. 5 is a top plan view thereof;
FIG. 6 is a bottom plan view thereof; and,
FIG. 7 is a top perspective view thereof in an open configuration.

1 Claim, 4 Drawing Sheets



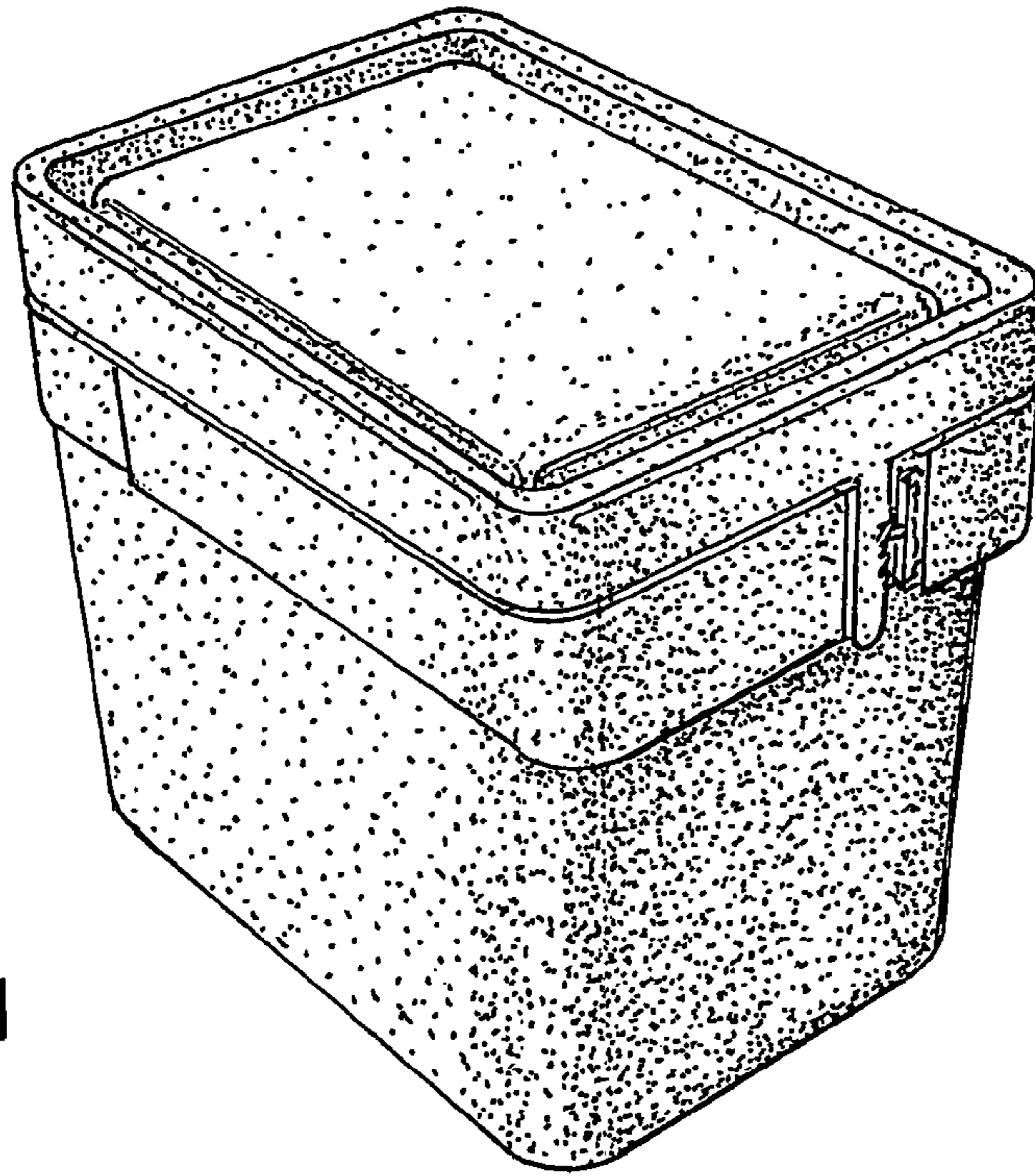


FIG. 1

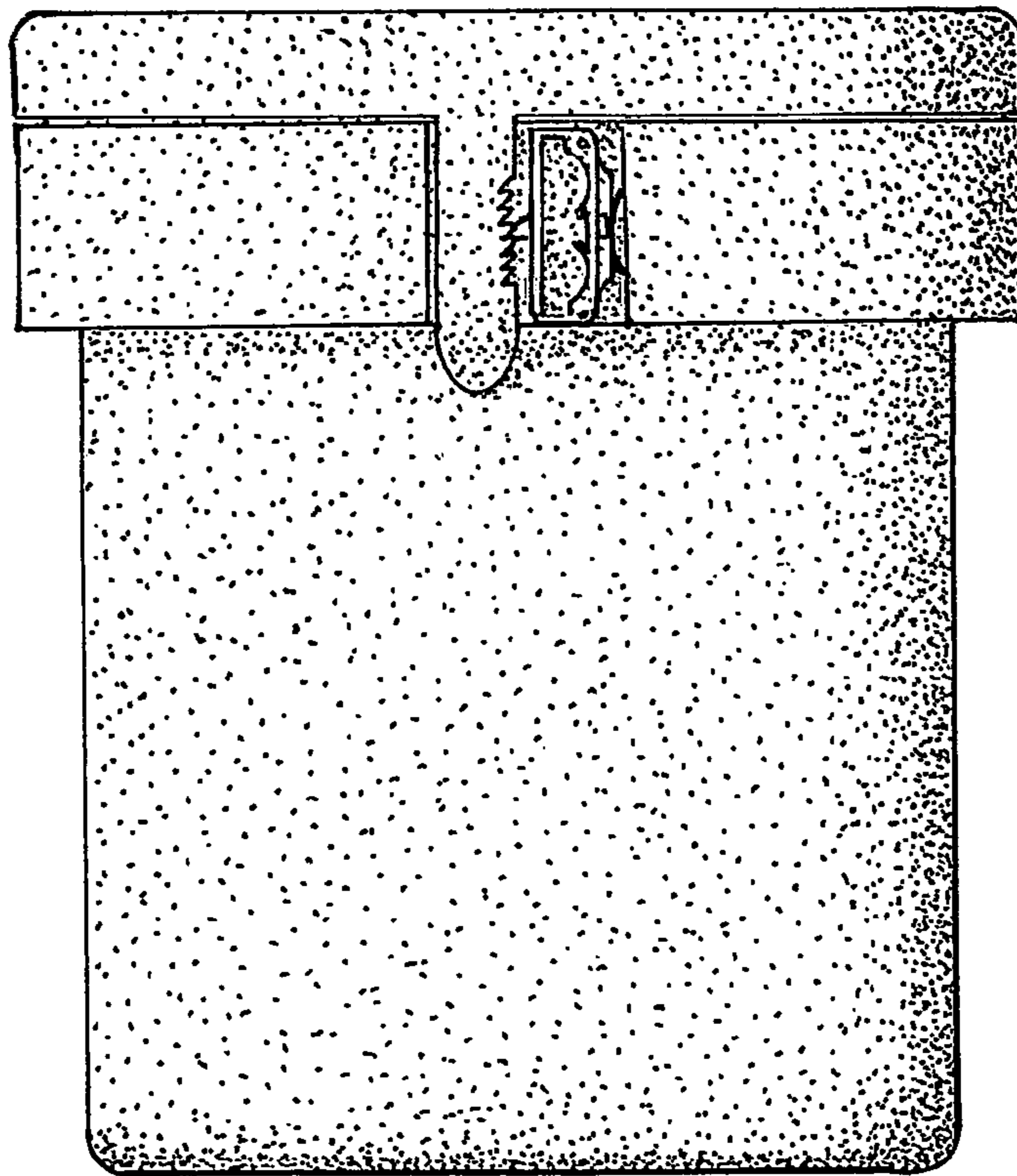


FIG. 2

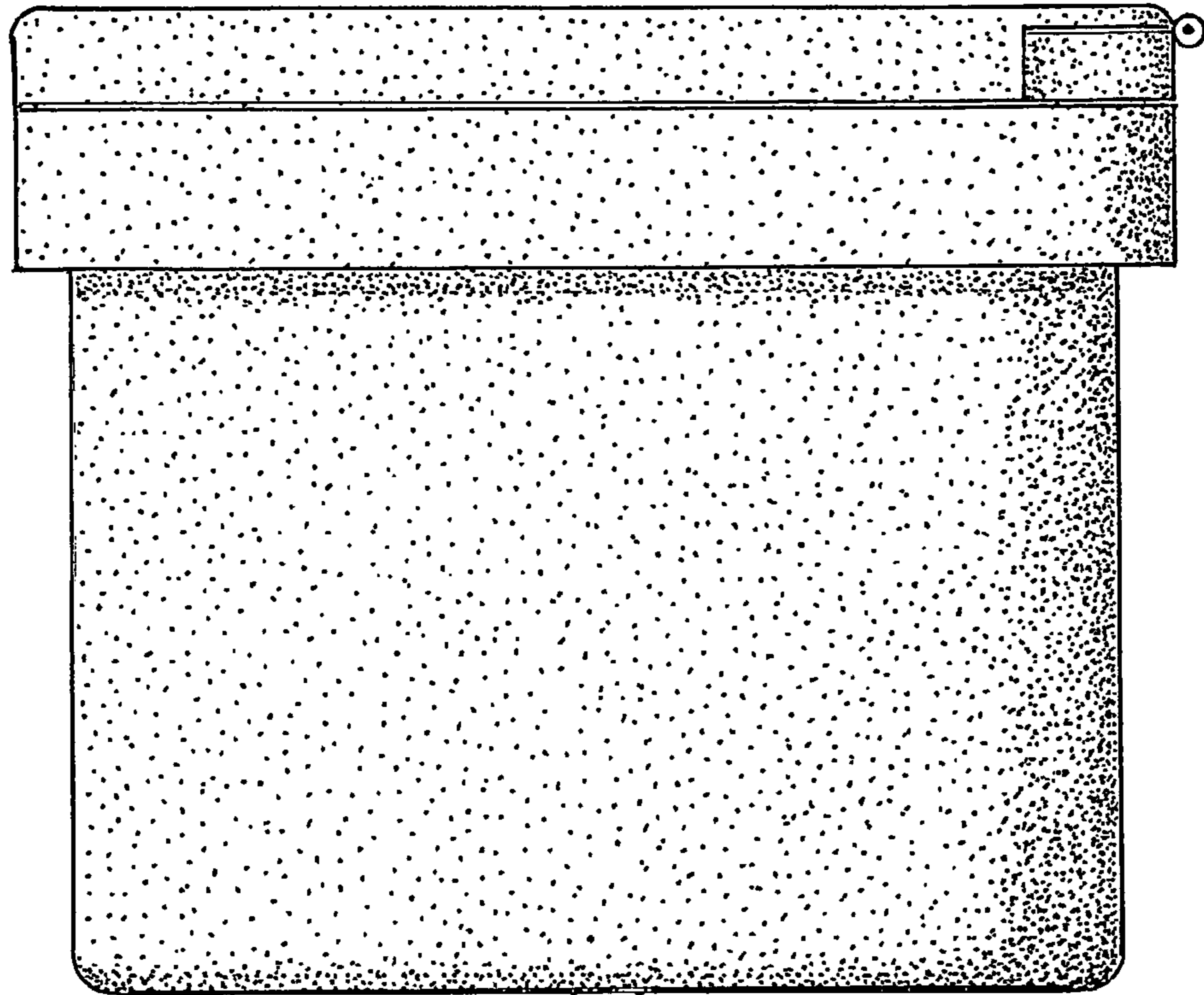


FIG. 3

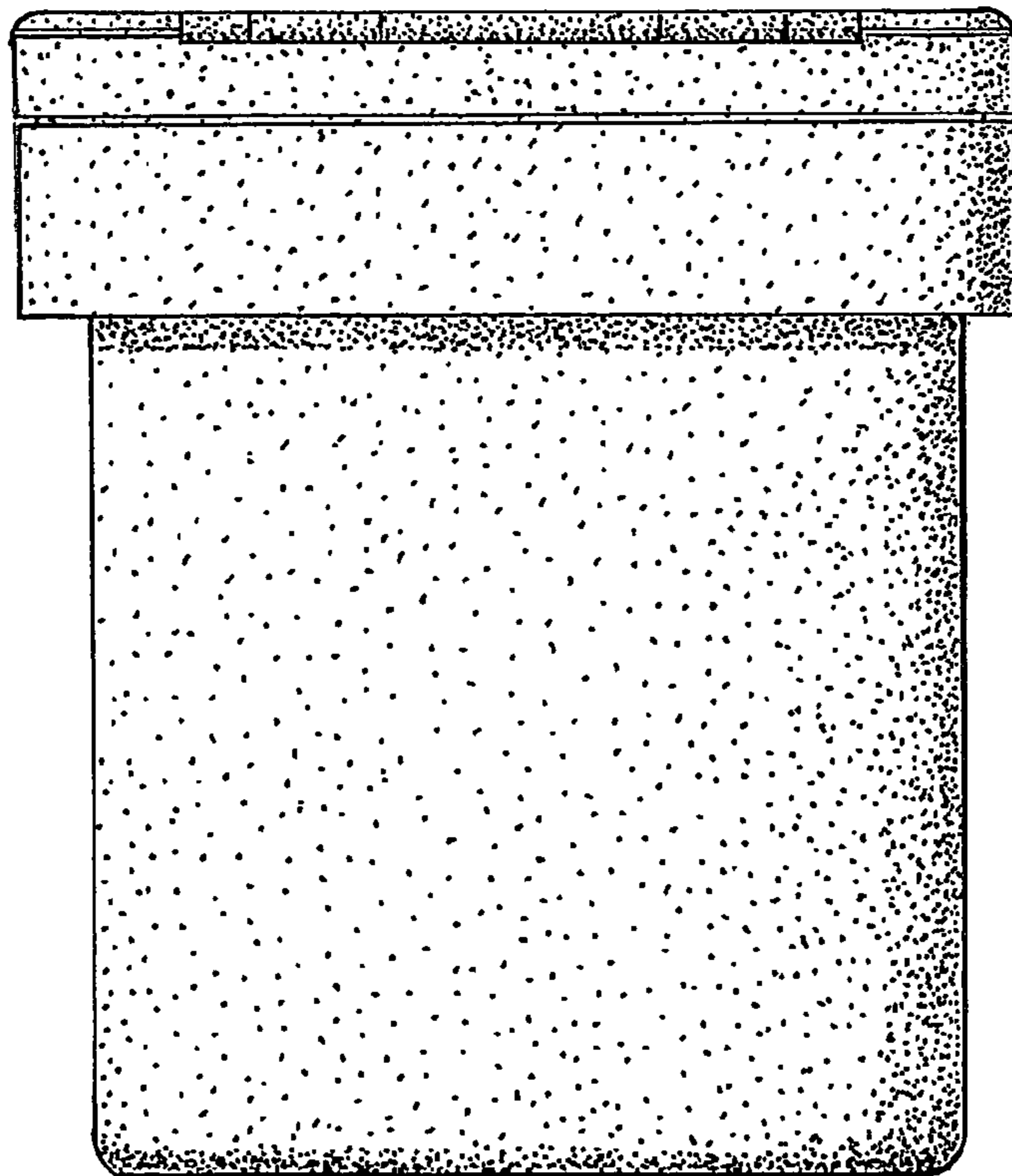


FIG. 4

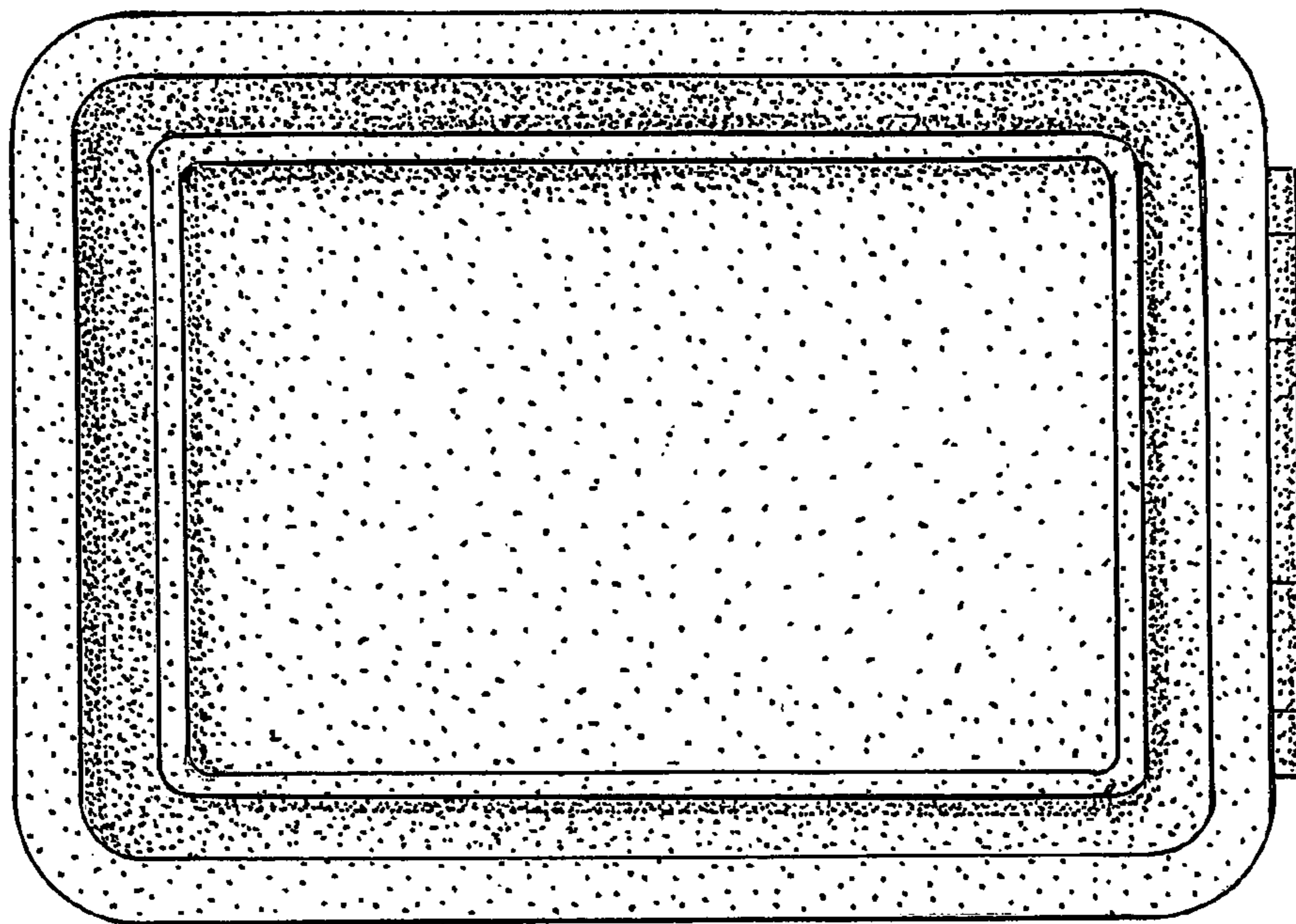


FIG. 5

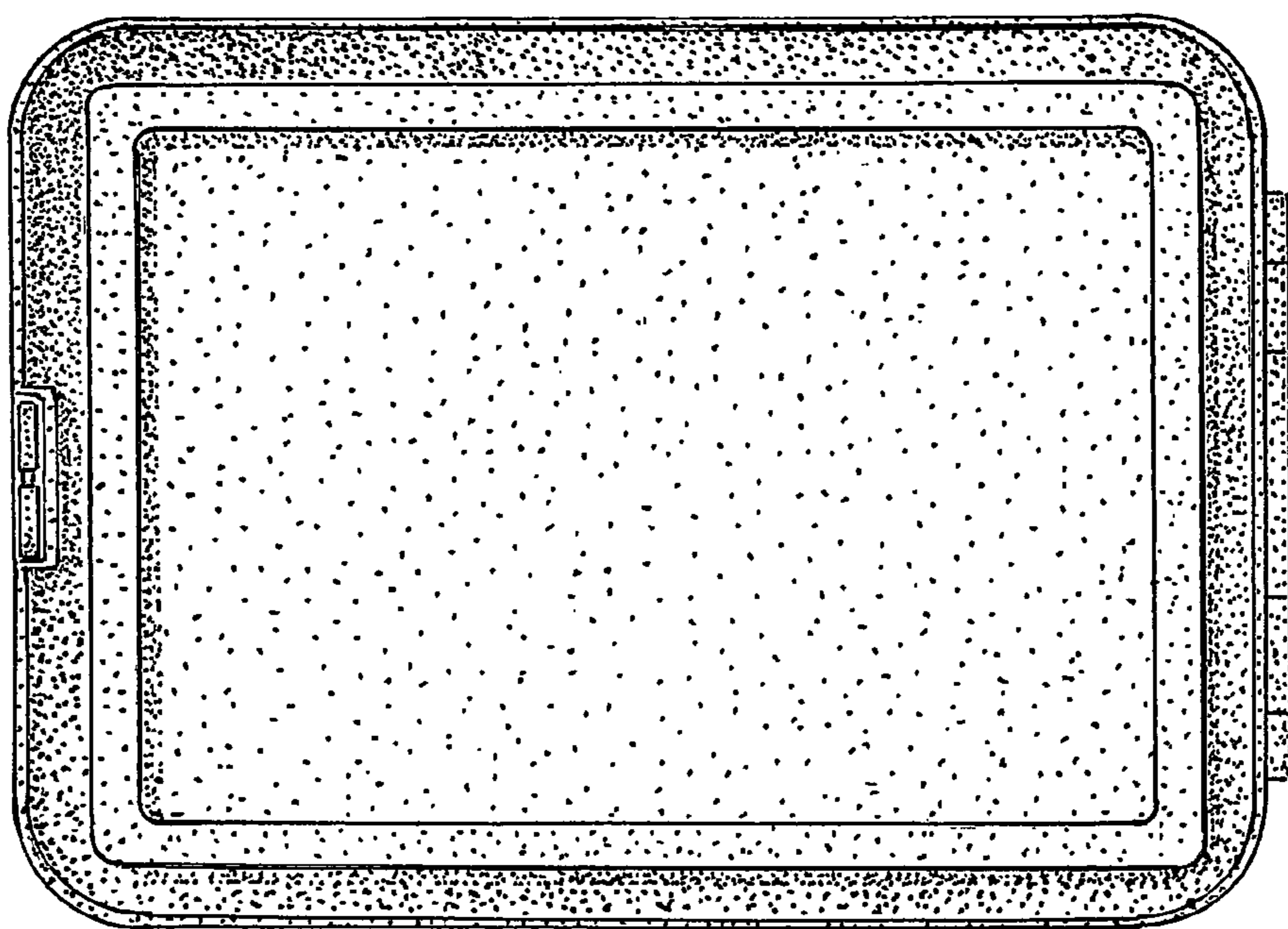


FIG. 6

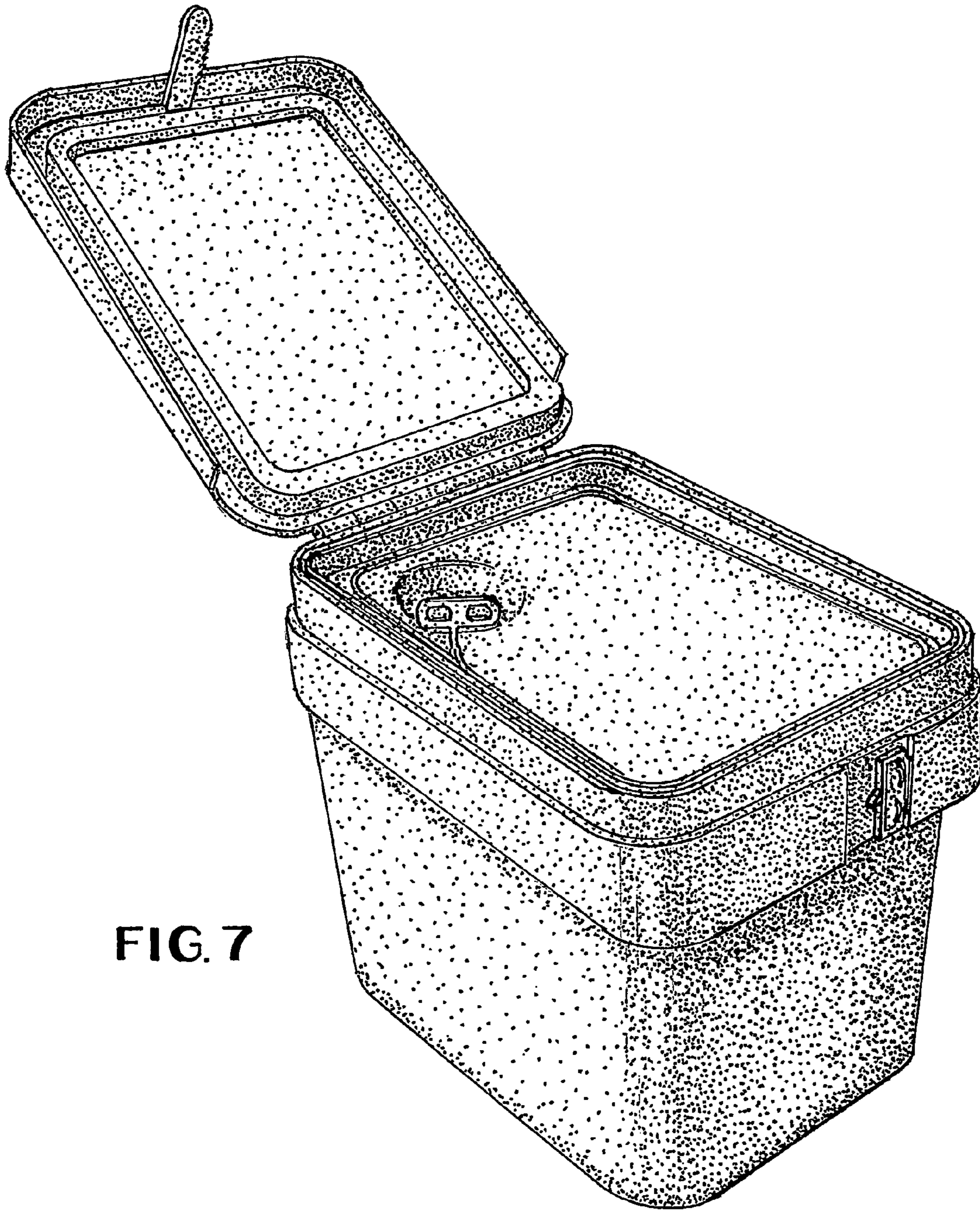


FIG. 7