

US00D706505S

(12) **United States Design Patent**  
**Miller et al.**

(10) **Patent No.:** **US D706,505 S**  
(45) **Date of Patent:** **\*\* Jun. 3, 2014**

(54) **EXTRACTION CLEANER HANDLE**

(71) Applicant: **BISSELL Homecare, Inc.**, Grand Rapids, MI (US)

(72) Inventors: **David M. Miller**, Zeeland, MI (US);  
**Adam G. Carr**, Rockford, MI (US)

(73) Assignee: **BISSELL Homecare, Inc.**, Grand Rapids, MI (US)

(\*\*) Term: **14 Years**

(21) Appl. No.: **29/443,857**

(22) Filed: **Jan. 23, 2013**

(51) **LOC (10) Cl.** ..... **15-05**

(52) **U.S. Cl.**  
USPC ..... **D32/34**

(58) **Field of Classification Search**  
USPC ..... 64/1, 21-23, 31, 34; 15/353, 347,  
15/410-412, 350, 351, 361, 329, 336, 345,  
15/2, 320-321, 340.2; 55/337, 315,  
55/DIG. 3, 459.1; 95/271  
See application file for complete search history.

(56) **References Cited**

**U.S. PATENT DOCUMENTS**

D387,518 S \* 12/1997 Medema ..... D32/22  
D435,708 S \* 12/2000 Medema et al. .... D32/31

D441,154 S \* 4/2001 Roberts et al. .... D32/34  
D490,951 S \* 6/2004 Leyden ..... D32/34  
D530,473 S \* 10/2006 Medema et al. .... D32/31  
7,219,390 B2 \* 5/2007 Johnson et al. .... 15/410  
D558,944 S \* 1/2008 Medema et al. .... D32/34  
D562,511 S \* 2/2008 Medema et al. .... D32/34  
D598,169 S \* 8/2009 Benacquisto et al. .... D32/31  
D598,615 S \* 8/2009 Benacquisto et al. .... D32/22  
D598,620 S \* 8/2009 Benacquisto et al. .... D32/34  
D599,516 S \* 9/2009 Baek ..... D32/34  
D667,183 S \* 9/2012 Benacquisto ..... D32/31

\* cited by examiner

*Primary Examiner* — Ruth McInroy

(74) *Attorney, Agent, or Firm* — McGarry Bair PC

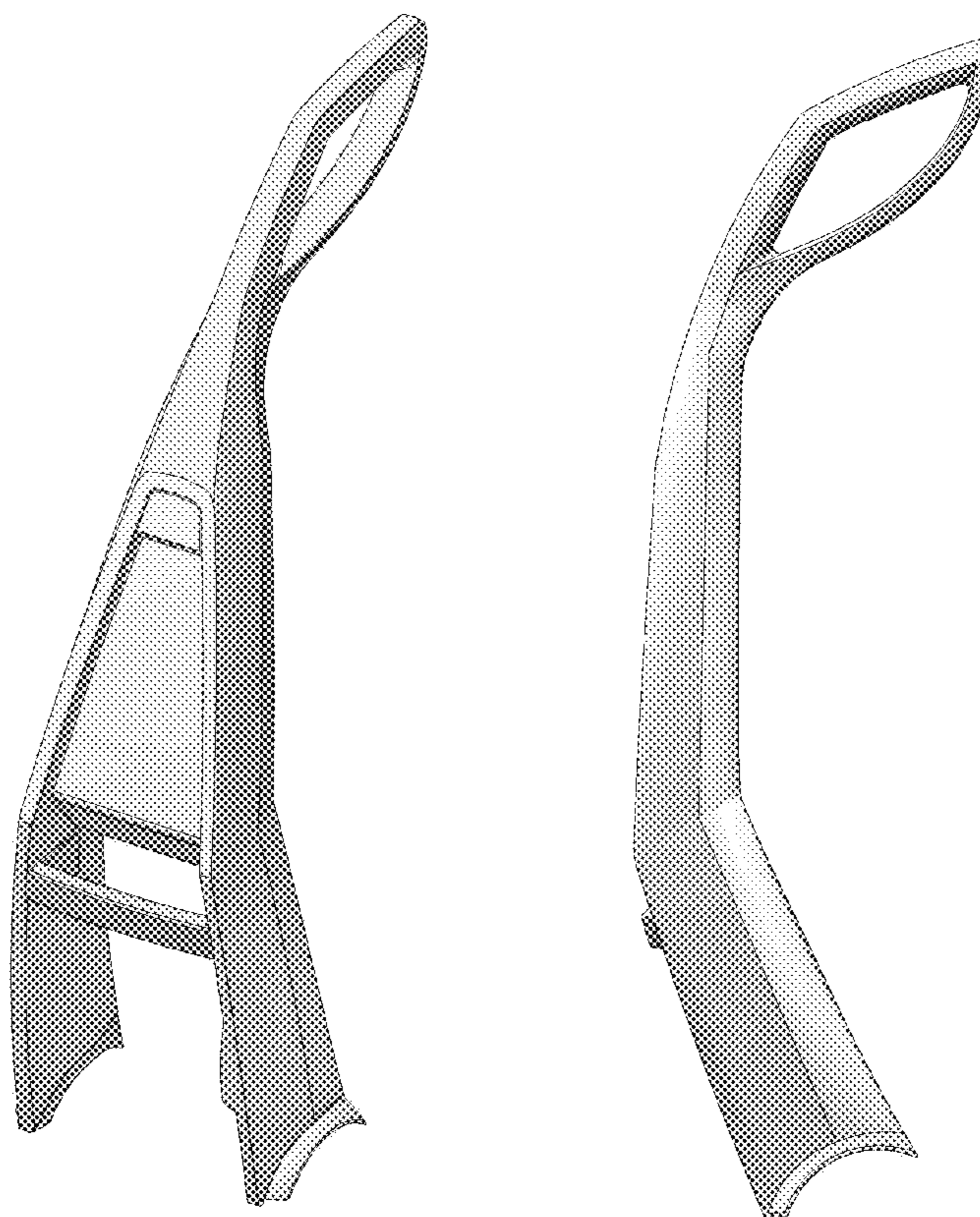
(57) **CLAIM**

The ornamental design for an extraction cleaner handle, as shown and described.

**DESCRIPTION**

FIG. 1 is a front and right side perspective view of an extraction cleaner handle showing our new design;  
FIG. 2 is a front view thereof;  
FIG. 3 is a rear view thereof;  
FIG. 4 is a left side view thereof;  
FIG. 5 is a right side view thereof;  
FIG. 6 is a top plan view thereof; and,  
FIG. 7 is a bottom plan view thereof.

**1 Claim, 4 Drawing Sheets**



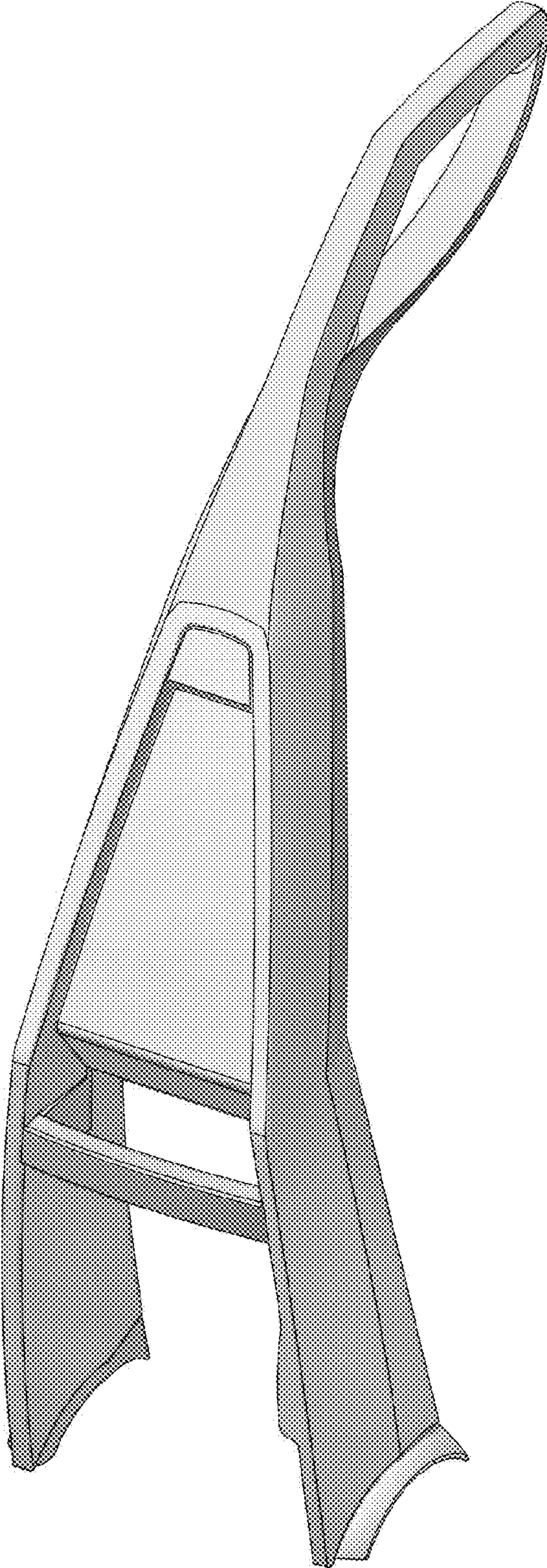
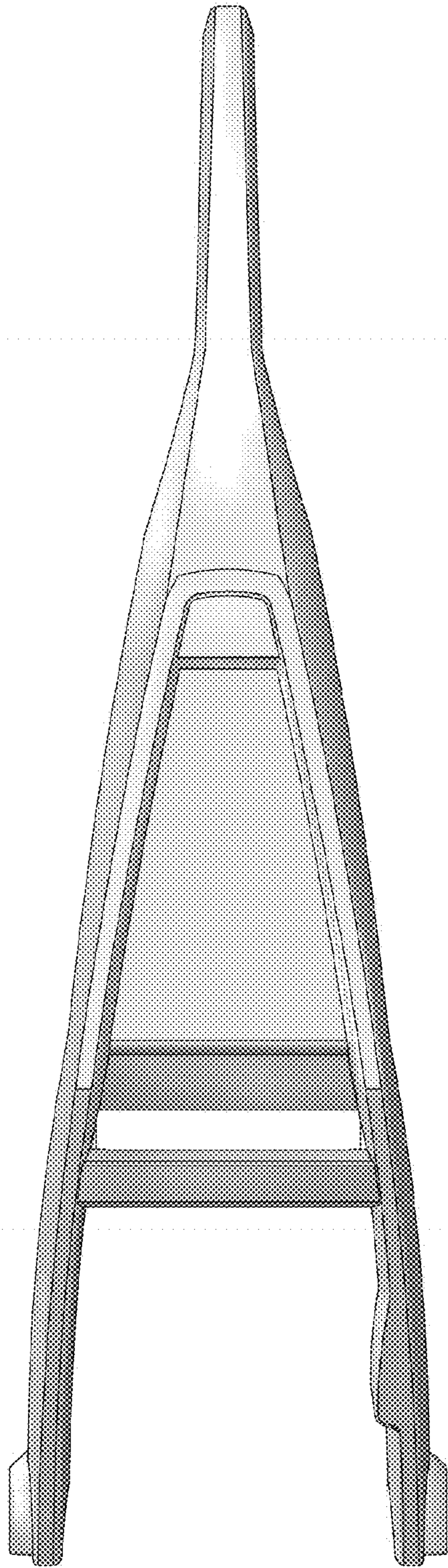
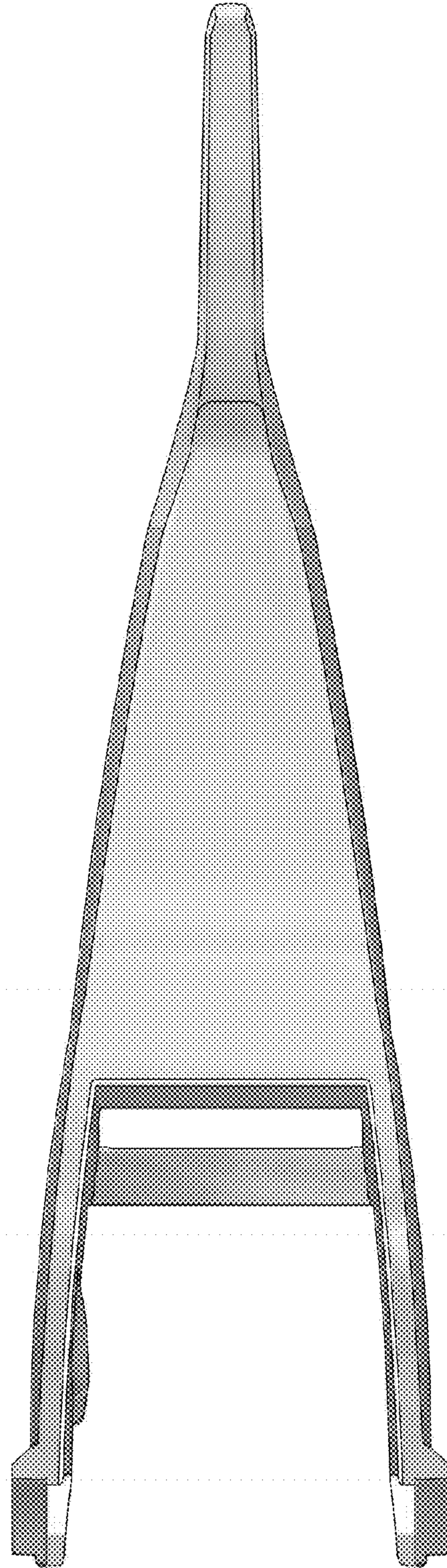


FIG. 1



**FIG. 2**



**FIG. 3**

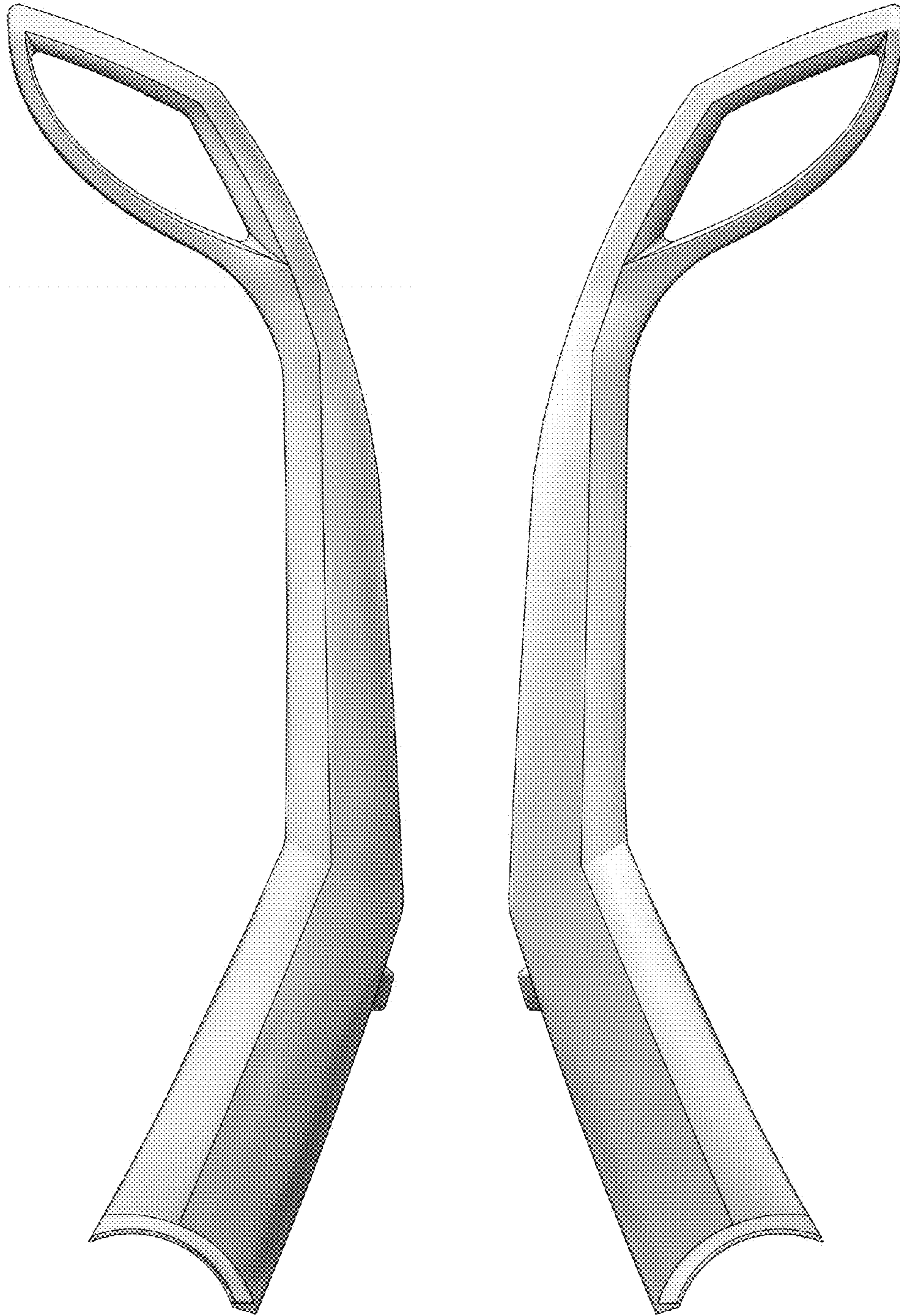
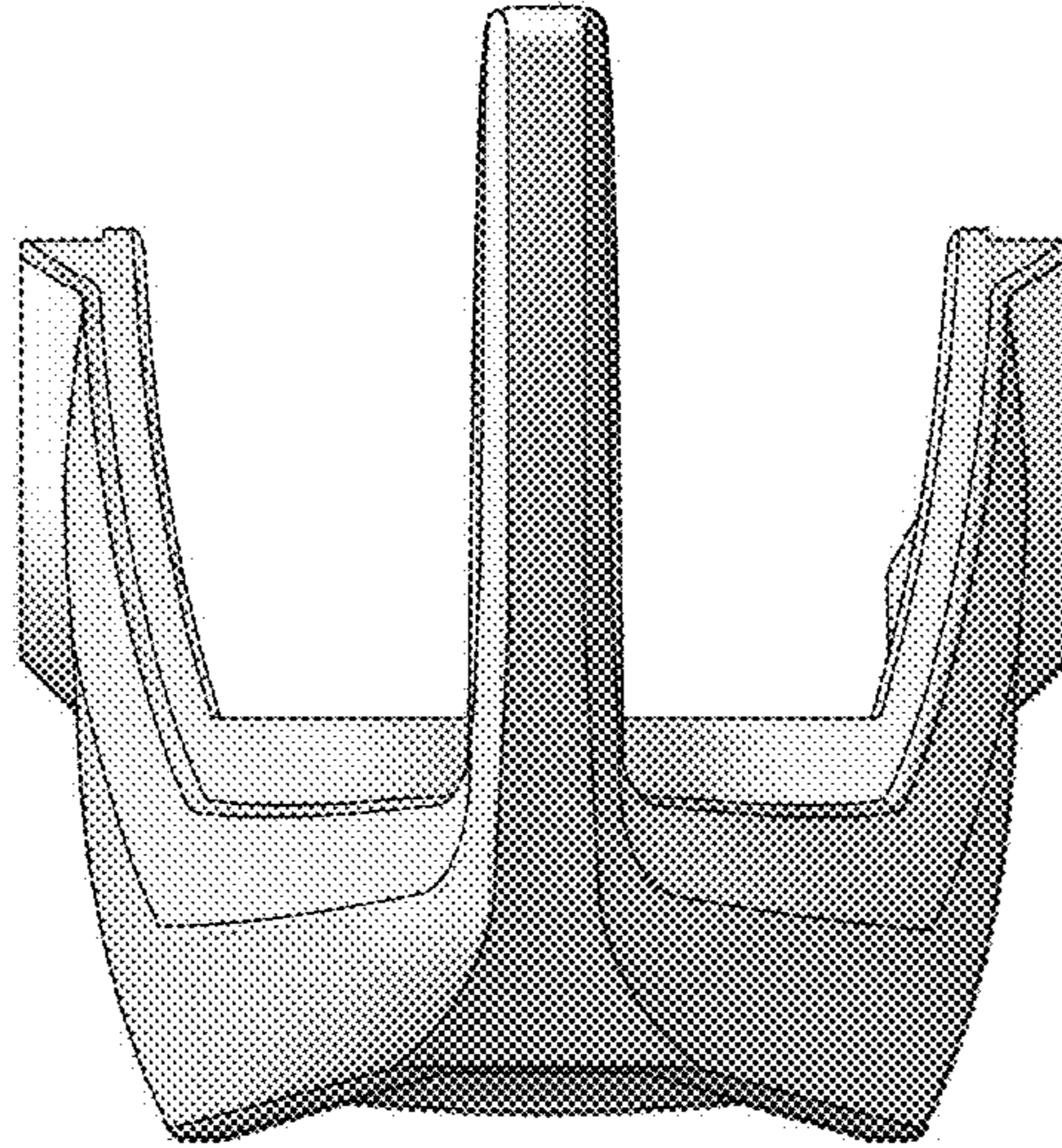
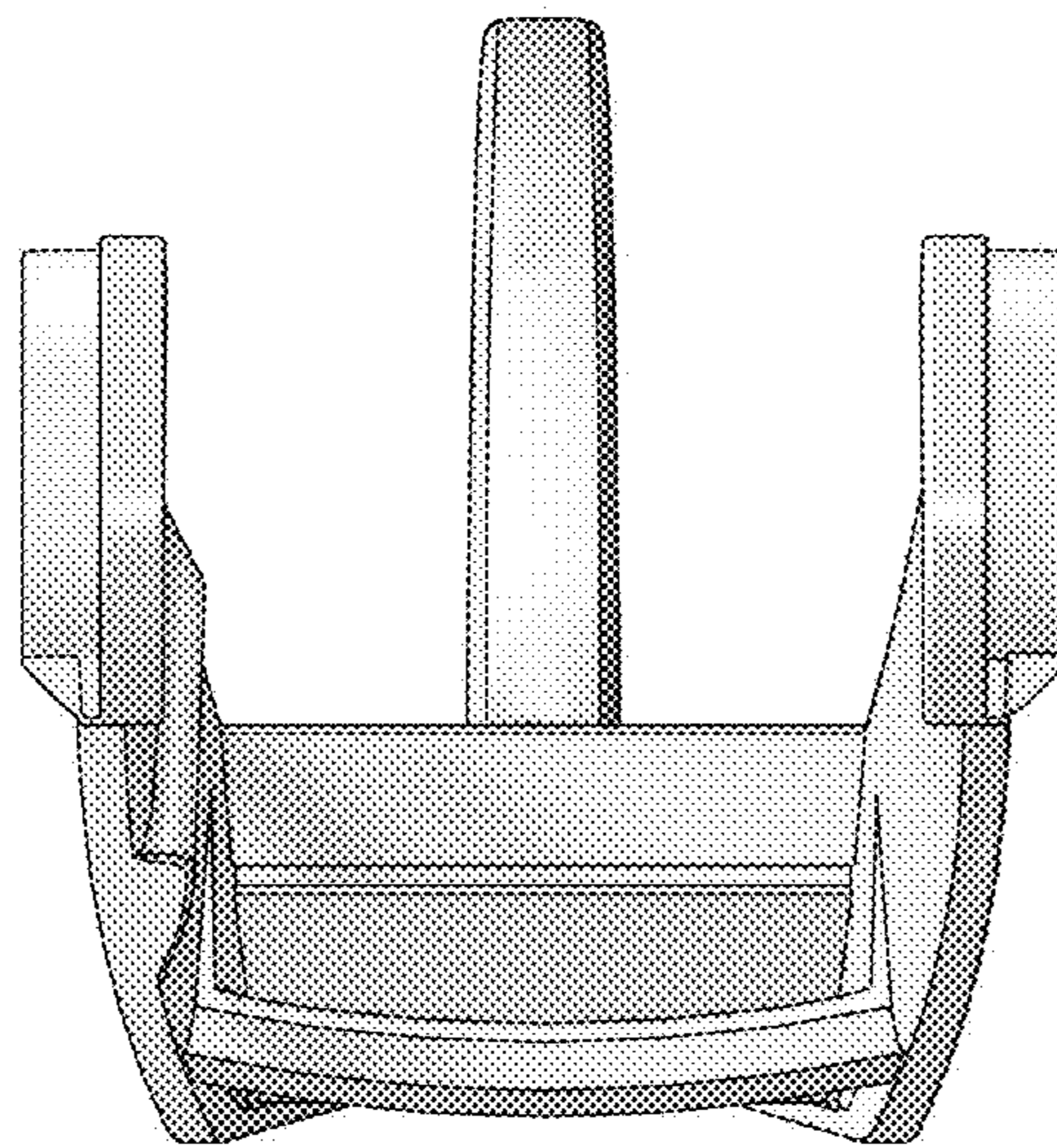


FIG. 4

FIG. 5



**FIG. 6**



**FIG. 7**