



US00D706504S

(12) **United States Design Patent**
Park et al.

(10) **Patent No.:** **US D706,504 S**
(45) **Date of Patent:** **** Jun. 3, 2014**

(54) **VACUUM CLEANER**

(71) Applicant: **Samsung Electronics Co., Ltd.**,
Suwon-si (KR)

(72) Inventors: **Yu-Na Park**, Seoul (KR); **Dong-Won Chun**, Paju-Si (KR); **Jae-Ho Jang**, Seoul (KR)

(73) Assignee: **Samsung Electronics Co., Ltd.**,
Suwon-si (KR)

(**) Term: **14 Years**

(21) Appl. No.: **29/460,347**

(22) Filed: **Jul. 10, 2013**

(30) **Foreign Application Priority Data**

Jan. 11, 2013 (KR) 30-2013-0001856

(51) **LOC (10) Cl.** **15-05**

(52) **U.S. Cl.**
USPC **D32/33**

(58) **Field of Classification Search**
USPC D32/17, 22, 31-33, 50; 15/415.1-422,
15/1, 400, 414, 328, 329, 320, 22, 353,
15/361, 410, 383, 363, 327.1, 405, 246.2,
15/246.3, 4, 412, 396-399, 393, 98; 285/7
See application file for complete search history.

(56) **References Cited**

U.S. PATENT DOCUMENTS

D216,917 S * 3/1970 Domstedt et al. D32/33
D333,539 S * 2/1993 Kramer et al. D32/32

6,101,668 A * 8/2000 Grey 15/322
D457,696 S * 5/2002 Worwag D32/32
D507,854 S * 7/2005 Kim D32/32
D518,932 S * 4/2006 Maruyama et al. D32/32
D556,963 S * 12/2007 Houghton D32/32
D616,165 S * 5/2010 McLeod et al. D32/32
D621,108 S * 8/2010 Santiago D32/32
D643,582 S * 8/2011 Ashbee et al. D32/33
D649,725 S * 11/2011 Fjellman D32/32
D686,379 S * 7/2013 Kim et al. D32/32
2006/0162121 A1 * 7/2006 Naito et al. 15/416
2012/0227211 A1 * 9/2012 Hwang et al. 15/415.1

* cited by examiner

Primary Examiner — Ruth McInroy

(74) *Attorney, Agent, or Firm* — NSIP Law

(57) **CLAIM**

The ornamental design for a vacuum cleaner, as shown and described.

DESCRIPTION

FIG. 1 is a perspective view of a vacuum cleaner, showing our new design;
FIG. 2 is a front view thereof;
FIG. 3 is a rear view thereof;
FIG. 4 is a left-side view thereof;
FIG. 5 is a right-side view thereof;
FIG. 6 is a top plan view thereof;
FIG. 7 is a bottom plan view thereof; and,
FIG. 8 is a second right-side view of the vacuum cleaner in which the lever portion is shown in a pushed position.
The broken lines illustrating portions of the vacuum cleaner are for environmental purposes only and form no part of the claimed design.

1 Claim, 6 Drawing Sheets

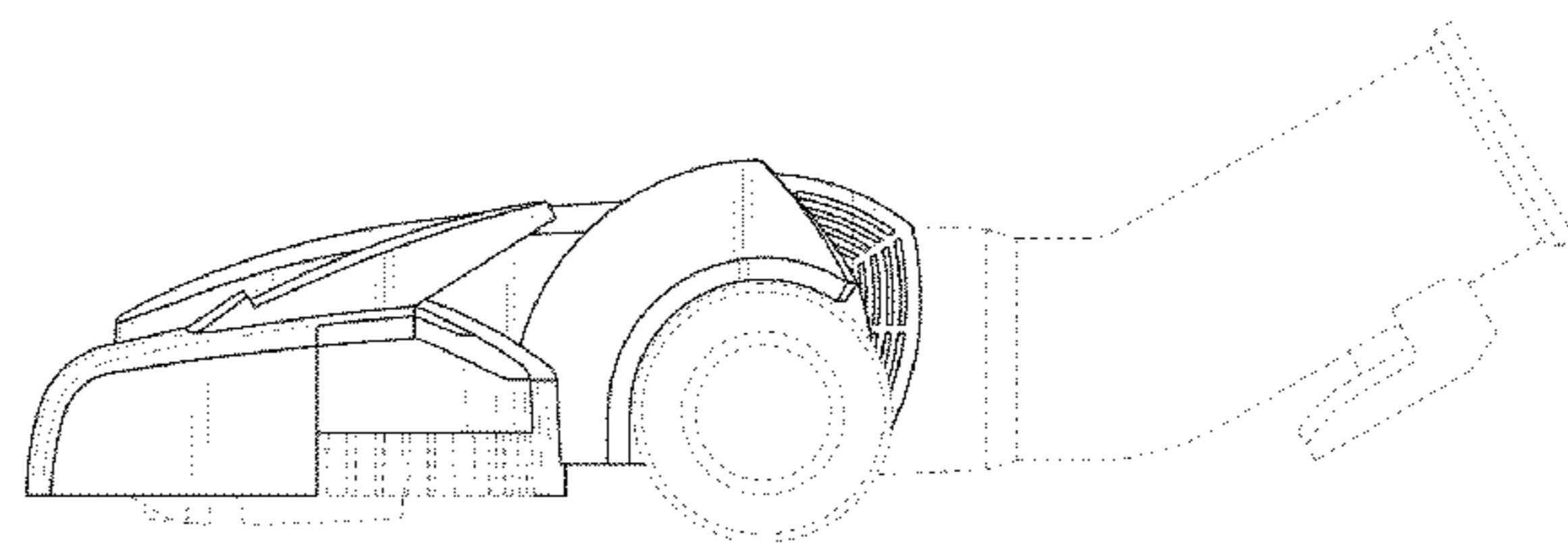
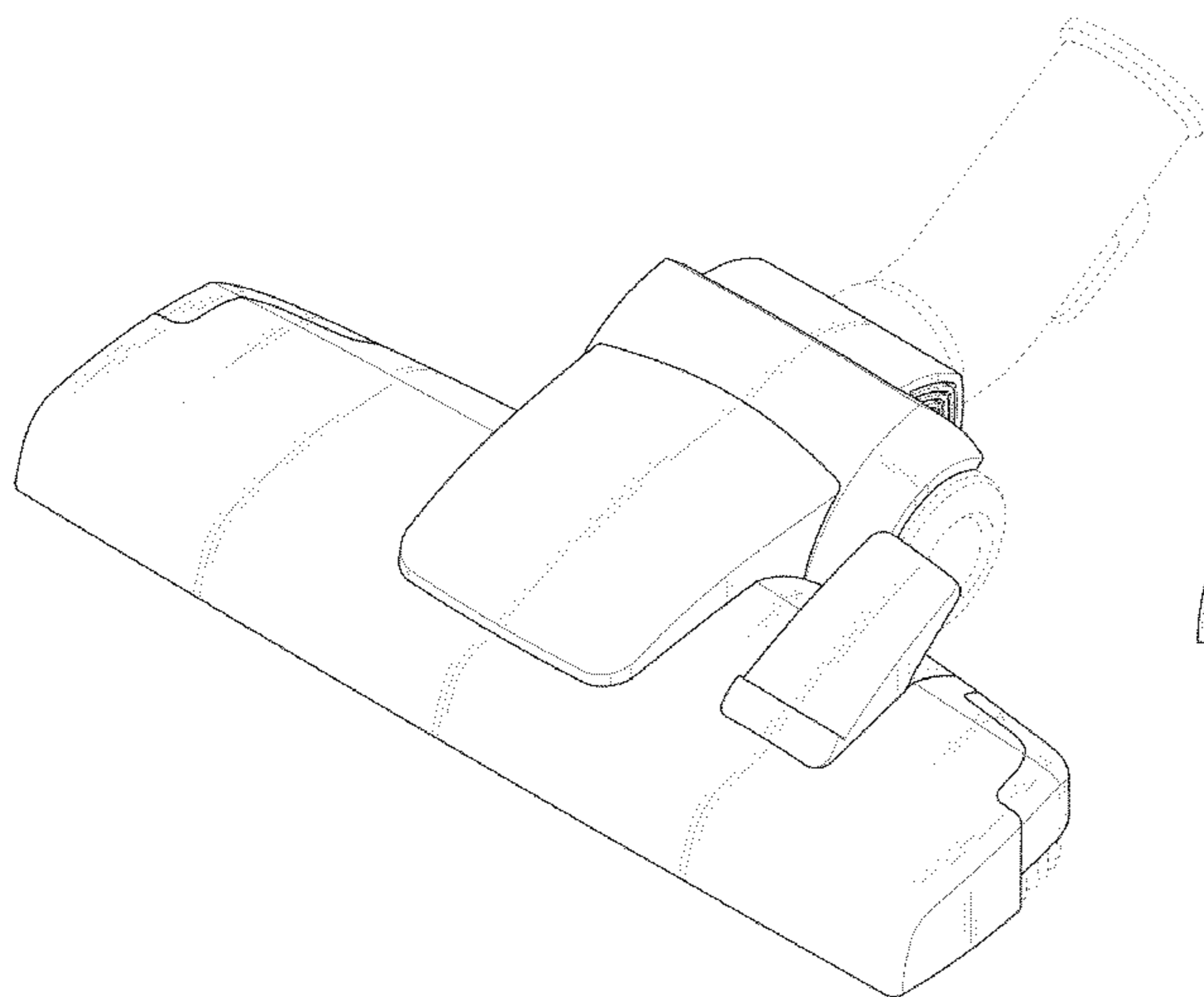


FIG. 1

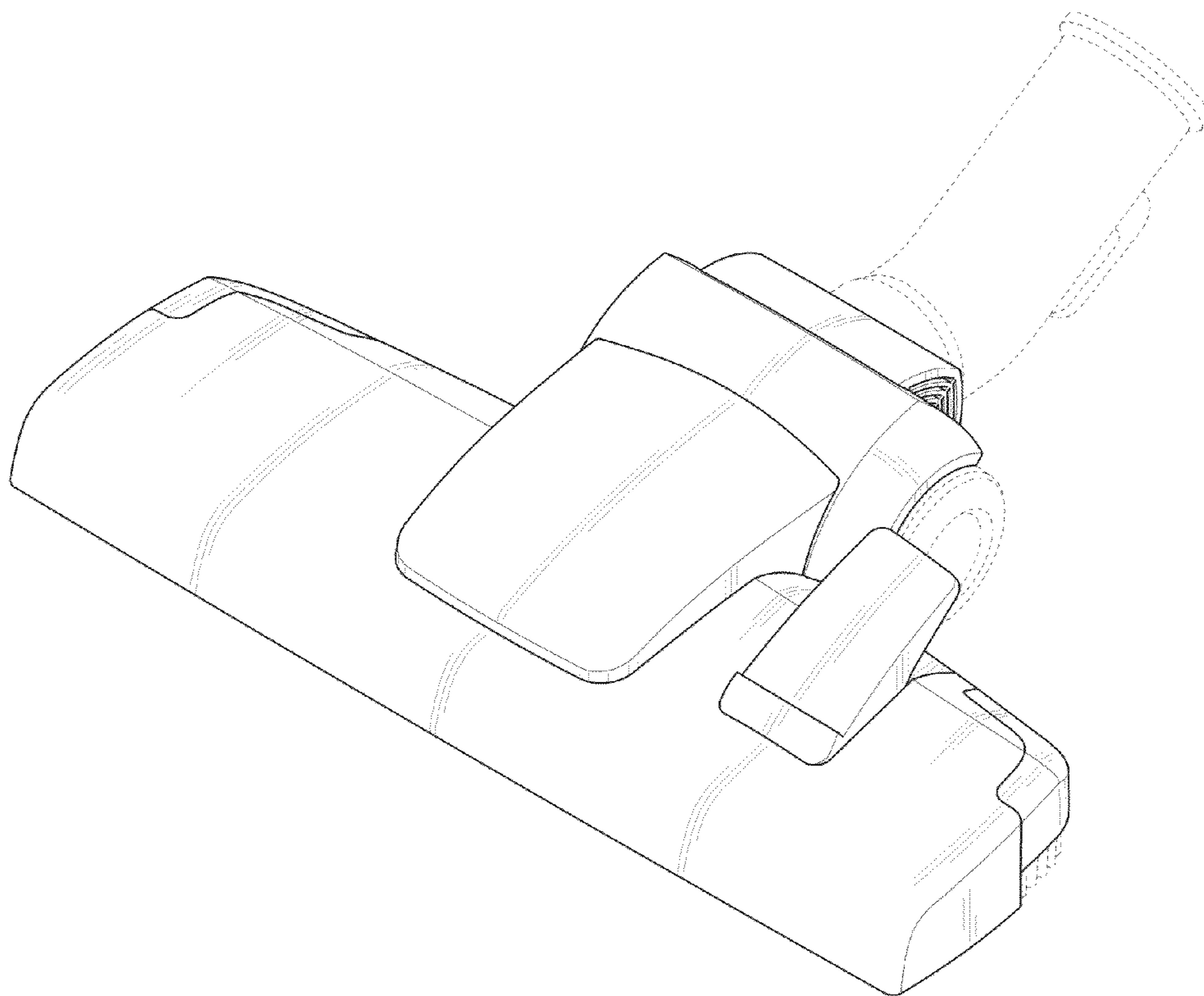


FIG. 2

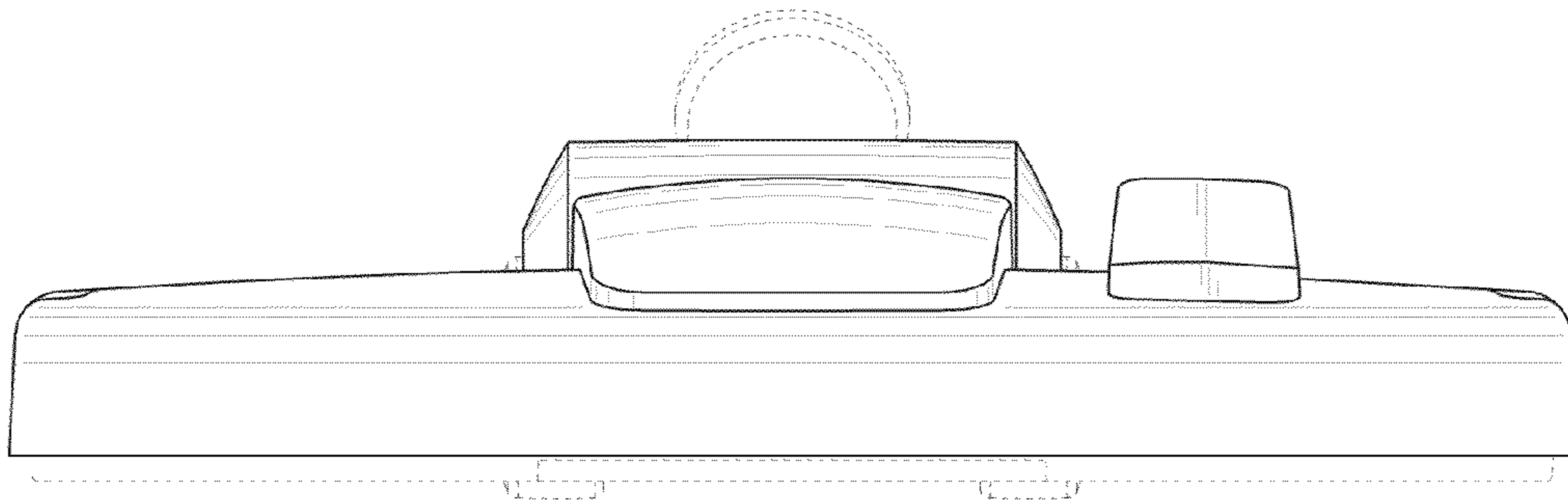


FIG. 3

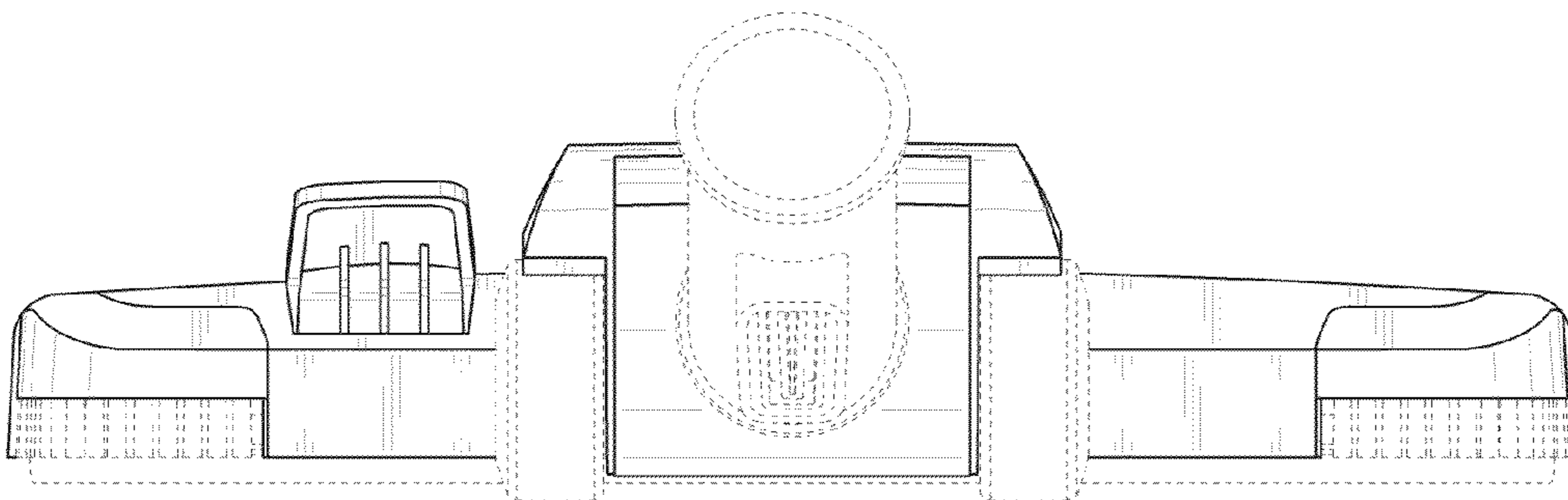


FIG. 4

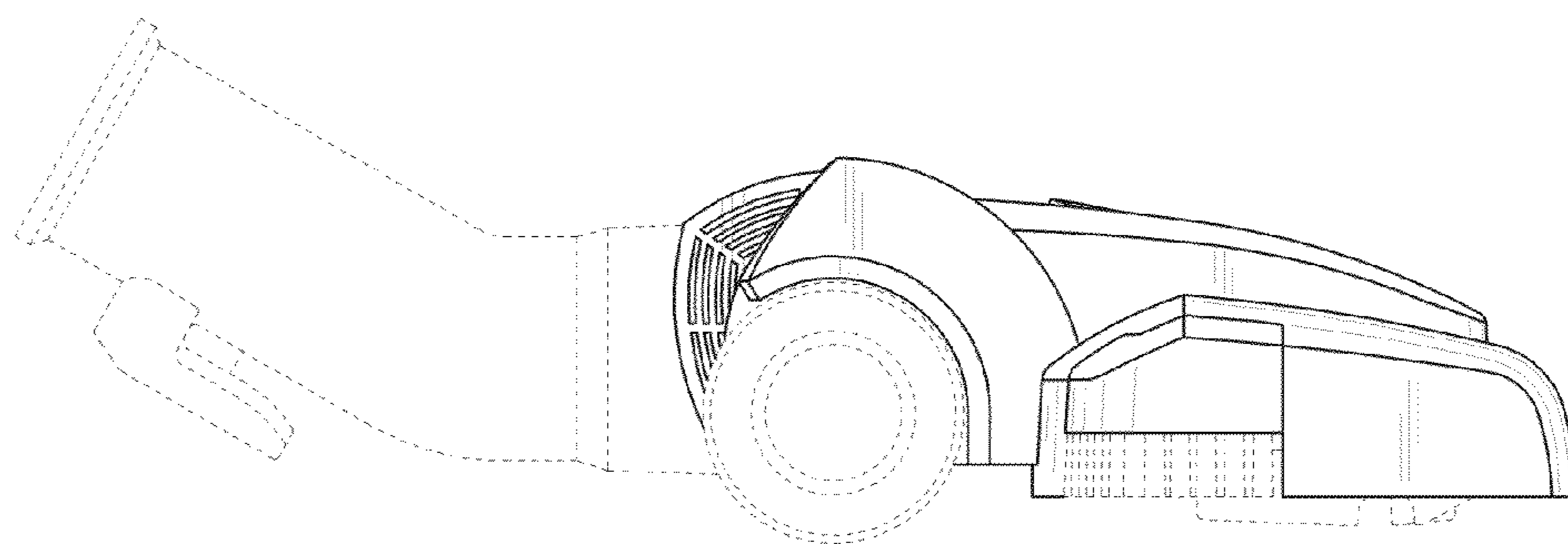


FIG. 5

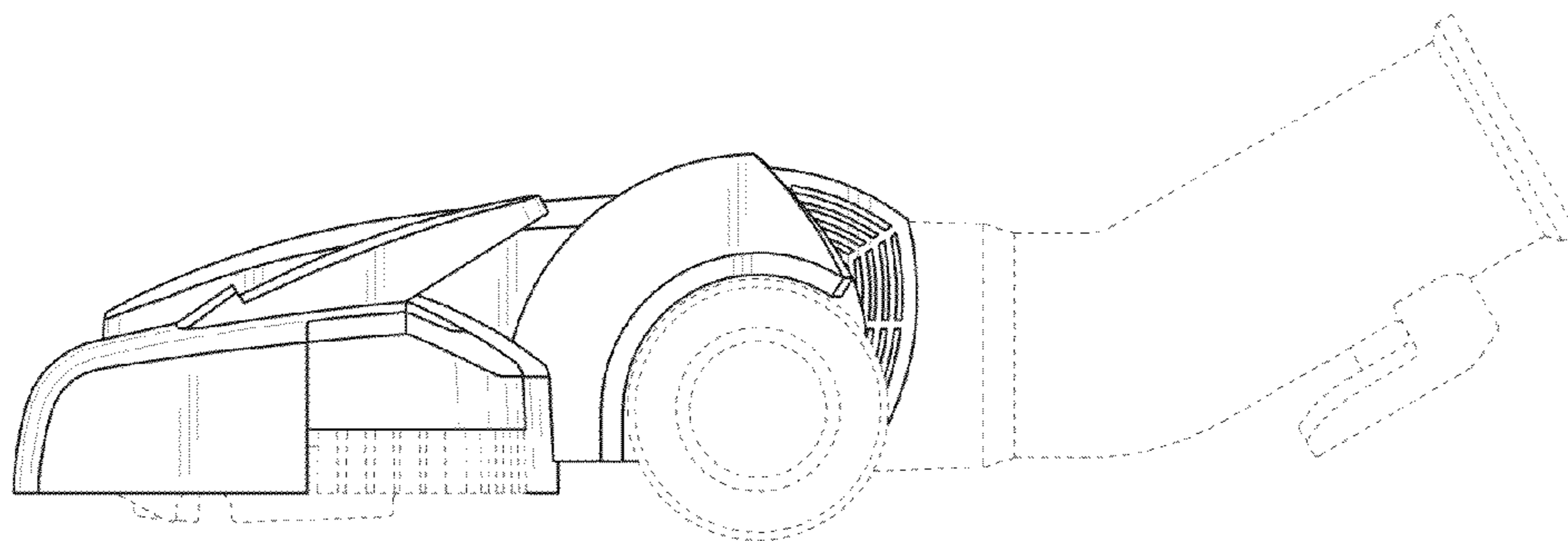


FIG. 6

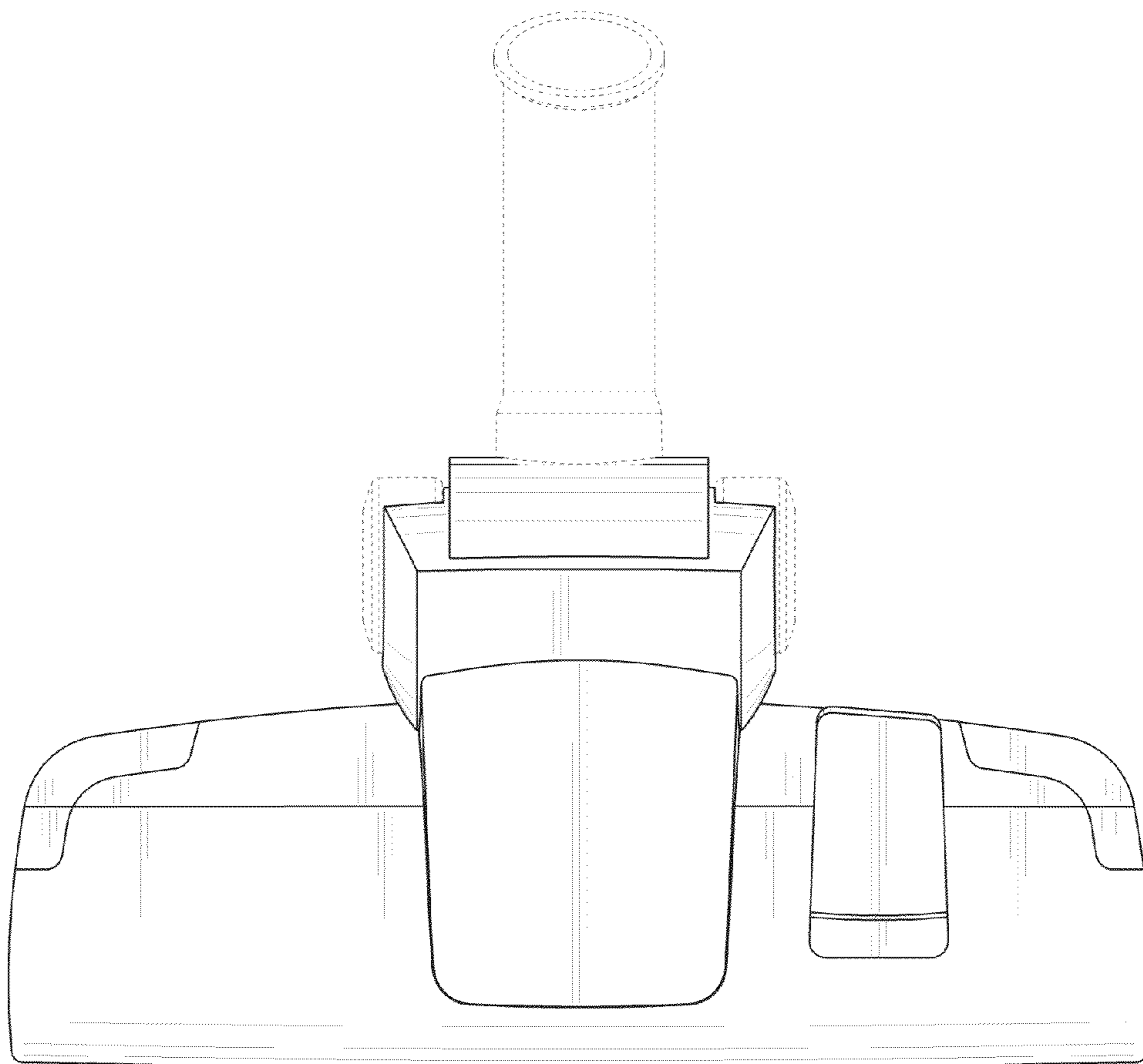


FIG. 7

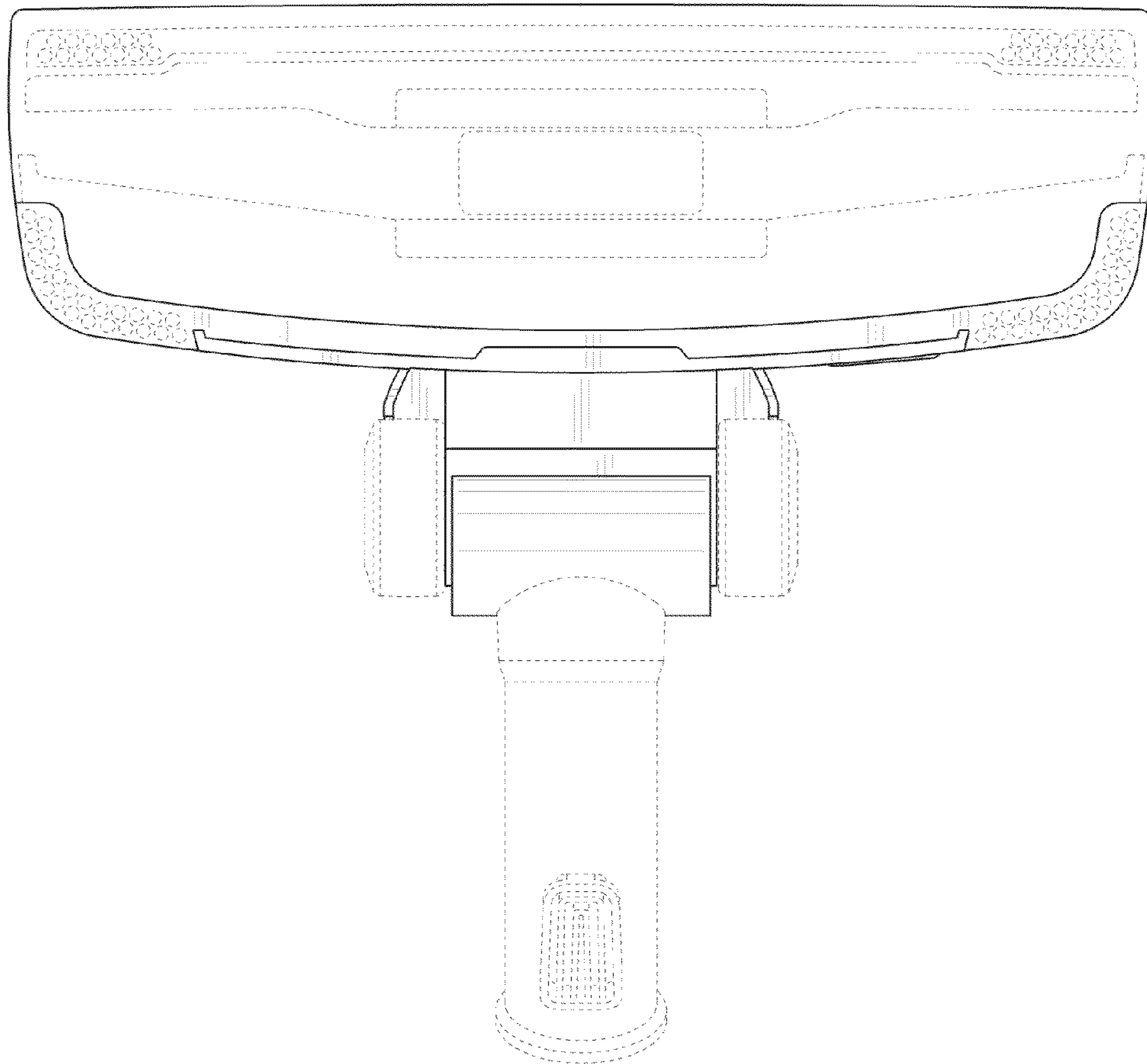


FIG. 8

