



US00D706502S

(12) **United States Design Patent**  
**Eng et al.**

(10) **Patent No.:** **US D706,502 S**  
(45) **Date of Patent:** **\*\* Jun. 3, 2014**

- (54) **DISHWASHER DOOR AND HANDLE**
- (71) Applicant: **BSH Home Appliances Corporation**,  
Irvine, CA (US)
- (72) Inventors: **Lindsay Eng**, Long Beach, CA (US);  
**Thomas Ott**, Neubiberg (DE)
- (73) Assignee: **BSH Home Appliances Corporation**,  
Irvine, CA (US)

D493,582 S *	7/2004	Ott et al.	.....	D32/3
D493,583 S *	7/2004	Kaczmarek	.....	D32/3
D501,963 S *	2/2005	Kaczmarek	.....	D32/3
D519,689 S *	4/2006	Ott et al.	.....	D32/3
D544,657 S *	6/2007	Jung et al.	.....	D32/2
D627,938 S *	11/2010	Kim	.....	D32/2
D658,828 S *	5/2012	Kim et al.	.....	D32/2
D665,956 S *	8/2012	Eng et al.	.....	D32/2
D665,957 S *	8/2012	Eng et al.	.....	D32/2
D668,402 S *	10/2012	Eng et al.	.....	D32/3
D668,403 S *	10/2012	Eng et al.	.....	D32/3
D668,404 S *	10/2012	Eng et al.	.....	D32/3

- (\*\*) Term: **14 Years**
- (21) Appl. No.: **29/469,038**
- (22) Filed: **Oct. 7, 2013**

(Continued)

*Primary Examiner* — T. Chase Nelson  
*Assistant Examiner* — Kathleen M Sims  
 (74) *Attorney, Agent, or Firm* — James E. Howard; Andre Pallapies

**Related U.S. Application Data**

- (62) Division of application No. 29/461,670, filed on Jul. 26, 2013, now Pat. No. Des. 698,507, which is a division of application No. 29/434,110, filed on Oct. 10, 2012, now Pat. No. Des. 693,070, which is a division of application No. 29/425,993, filed on Jun. 29, 2012, now Pat. No. Des. 673,742, which is a division of application No. 29/418,059, filed on Apr. 12, 2012, now Pat. No. Des. 668,404.

- (51) **LOC (10) Cl.** ..... **15-05**
- (52) **U.S. Cl.**  
USPC ..... **D32/3**
- (58) **Field of Classification Search**  
USPC ..... D32/1-3, 25, 28; D7/340, 348-350,  
D7/405; 312/31, 109, 228; 134/56 D, 57 D,  
134/58 D, 58 DL, 201  
See application file for complete search history.

(56) **References Cited**

**U.S. PATENT DOCUMENTS**

- D191,224 S \* 8/1961 Fay ..... D32/2
- 5,365,959 A \* 11/1994 Favaro ..... 134/113

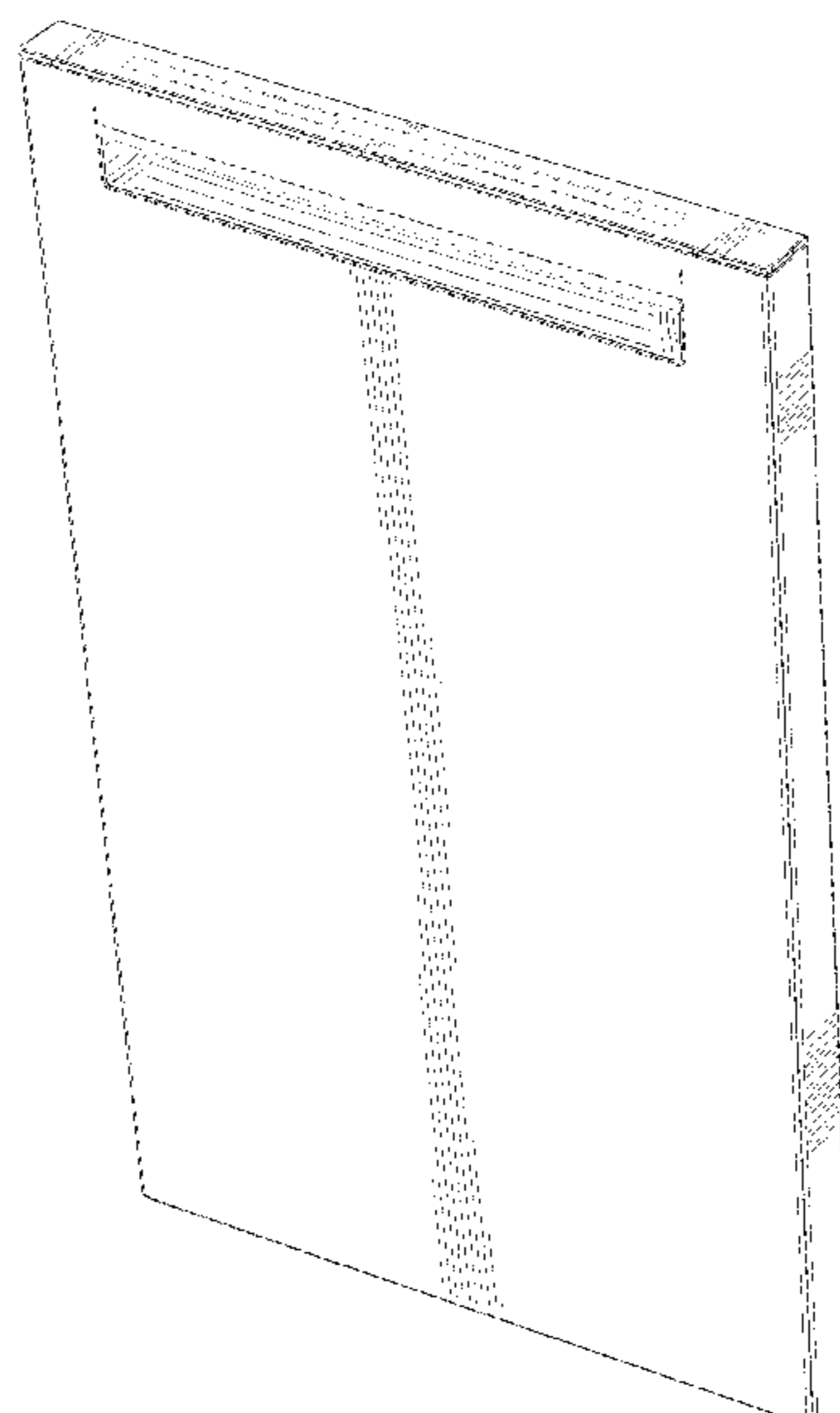
(57) **CLAIM**

The ornamental design for a dishwasher door and handle, as shown and described.

**DESCRIPTION**

FIG. 1 is a front perspective view, from the top of a dishwasher door and handle according to our new ornamental design;  
 FIG. 2 is a front view thereof;  
 FIG. 3 is a top view thereof;  
 FIG. 4 is a left side view thereof, with the right hand side view thereof being a mirror image thereof;  
 FIG. 5 is a partial front perspective view thereof from the bottom; and,  
 FIG. 6 is a cross section along lines 6-6 of FIG. 5.  
 The broken line showing of dishwasher details in FIGS. 1-6 is included for the purpose of showing environmental portions of the dishwasher door and handle and forms no part of the claimed design.  
 The bottom and rear parts of the dishwasher door are unornamented and form no part of the claimed design.

**1 Claim, 4 Drawing Sheets**



(56)

**References Cited**

U.S. PATENT DOCUMENTS

D670,457 S	*	11/2012	Eng	.....	D32/3	D684,736 S	*	6/2013	Eng et al.	.....	D32/3
D672,101 S	*	12/2012	Eng et al.	.....	D32/3	D685,149 S	*	6/2013	Eng et al.	.....	D32/3
D673,742 S	*	1/2013	Eng et al.	.....	D32/2	D689,248 S	*	9/2013	Eng	.....	D32/3
D684,734 S	*	6/2013	Eng et al.	.....	D32/3	D692,628 S	*	10/2013	Eng et al.	.....	D32/2
D684,735 S	*	6/2013	Eng et al.	.....	D32/3	D692,629 S	*	10/2013	Eng et al.	.....	D32/3
						D693,069 S	*	11/2013	Grobleben et al.	.....	D32/3
						D693,070 S	*	11/2013	Eng et al.	.....	D32/3

\* cited by examiner

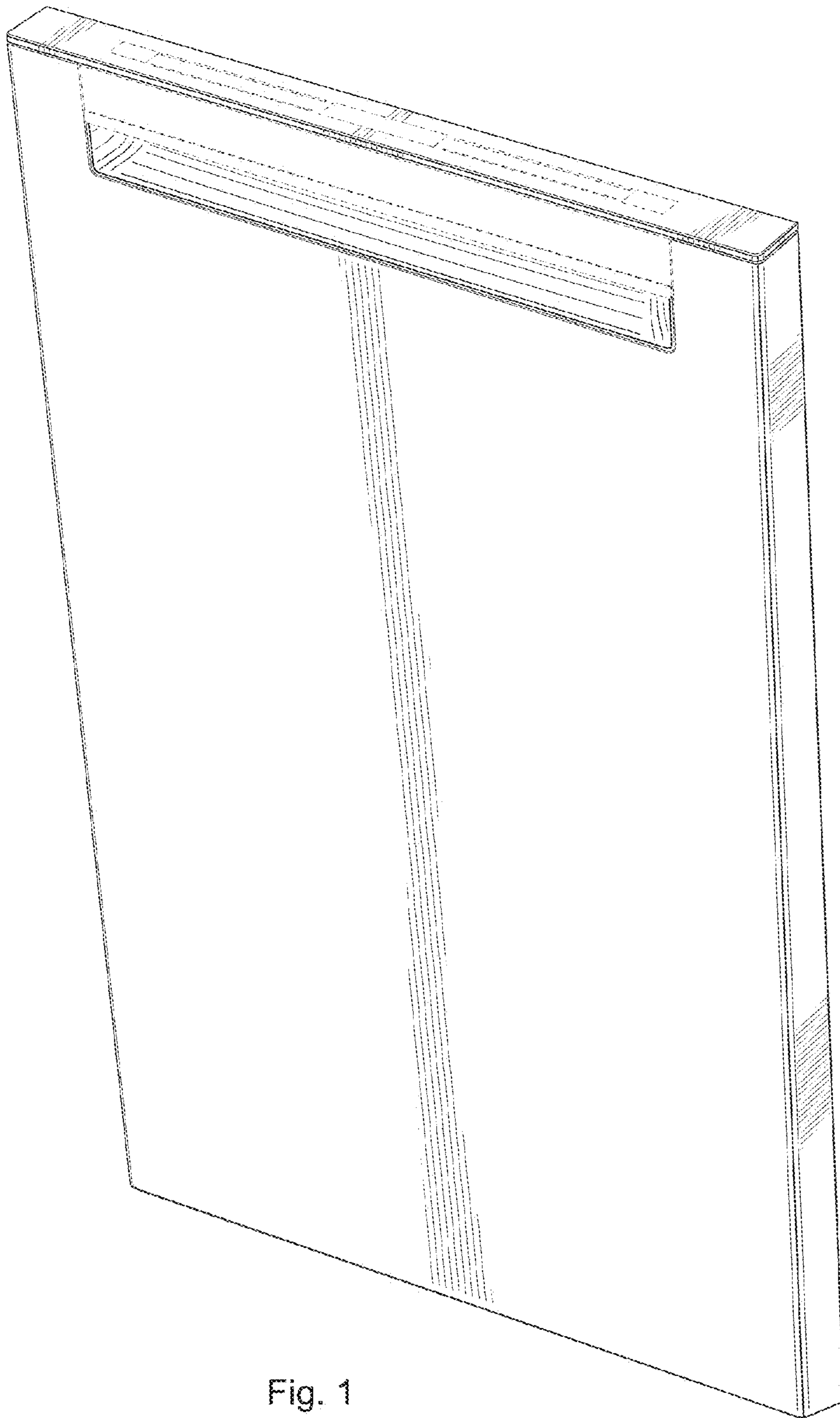


Fig. 1

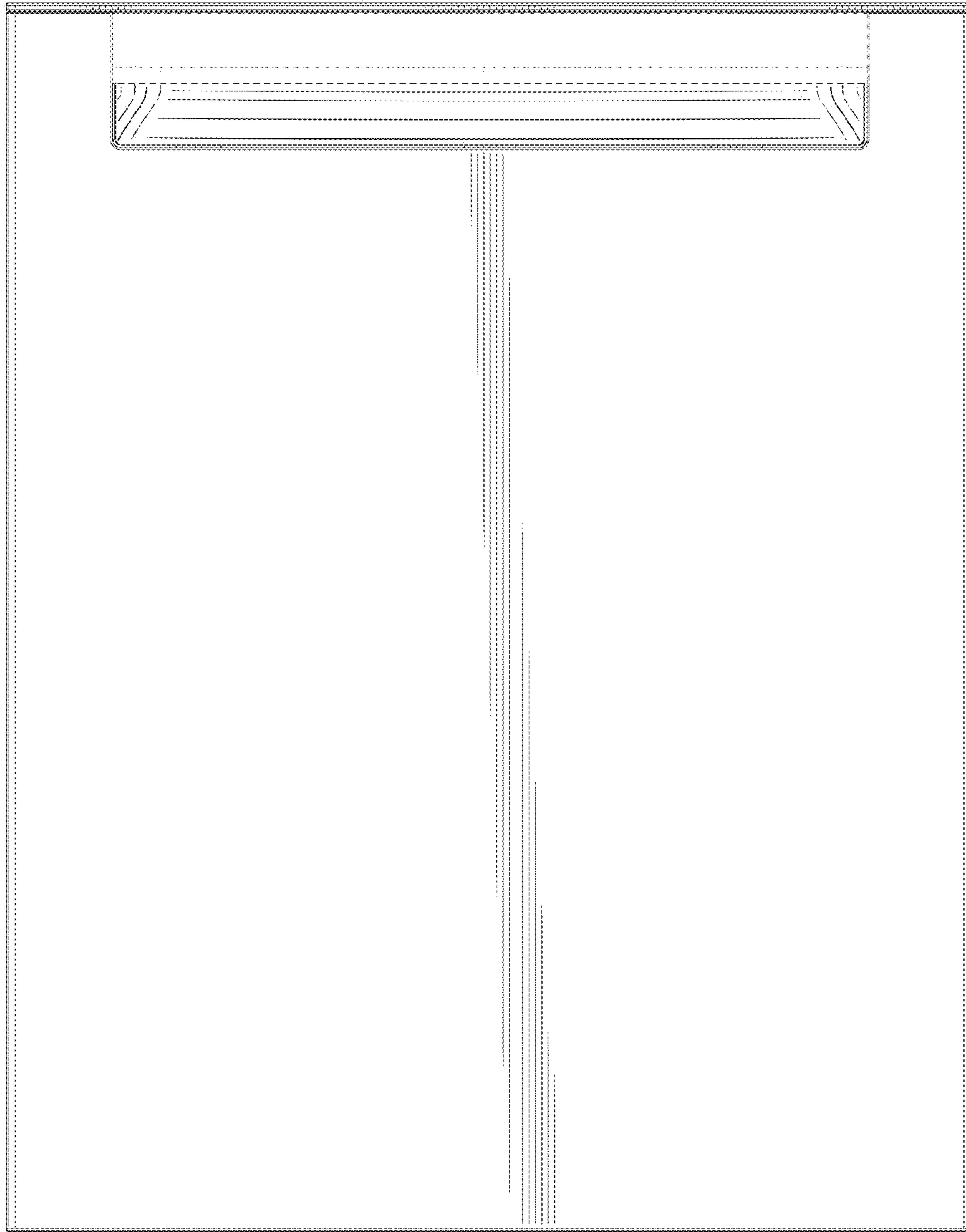


Fig. 2



Fig. 3

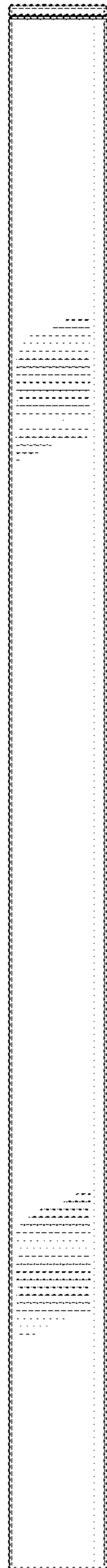


Fig. 4

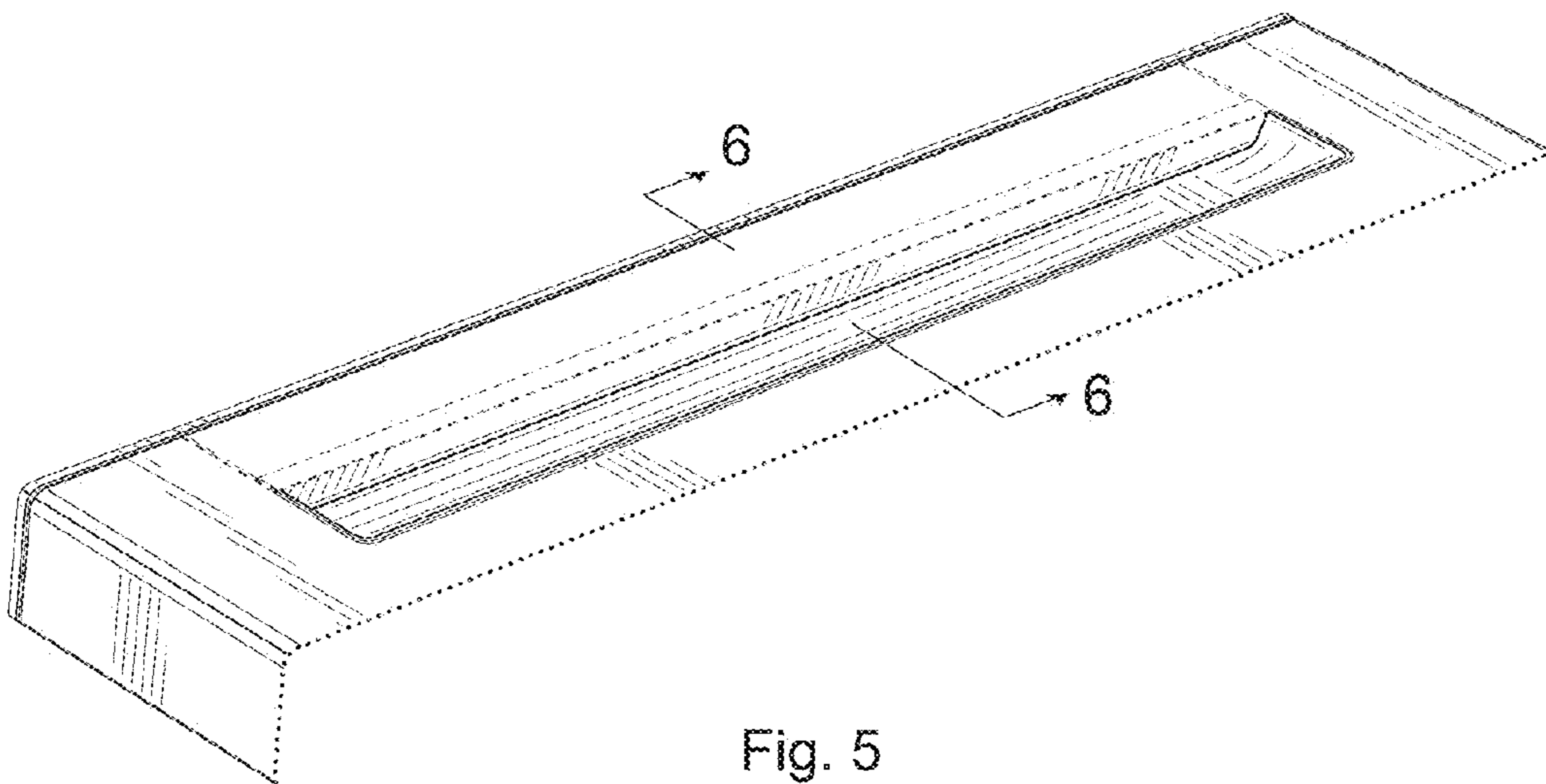


Fig. 5

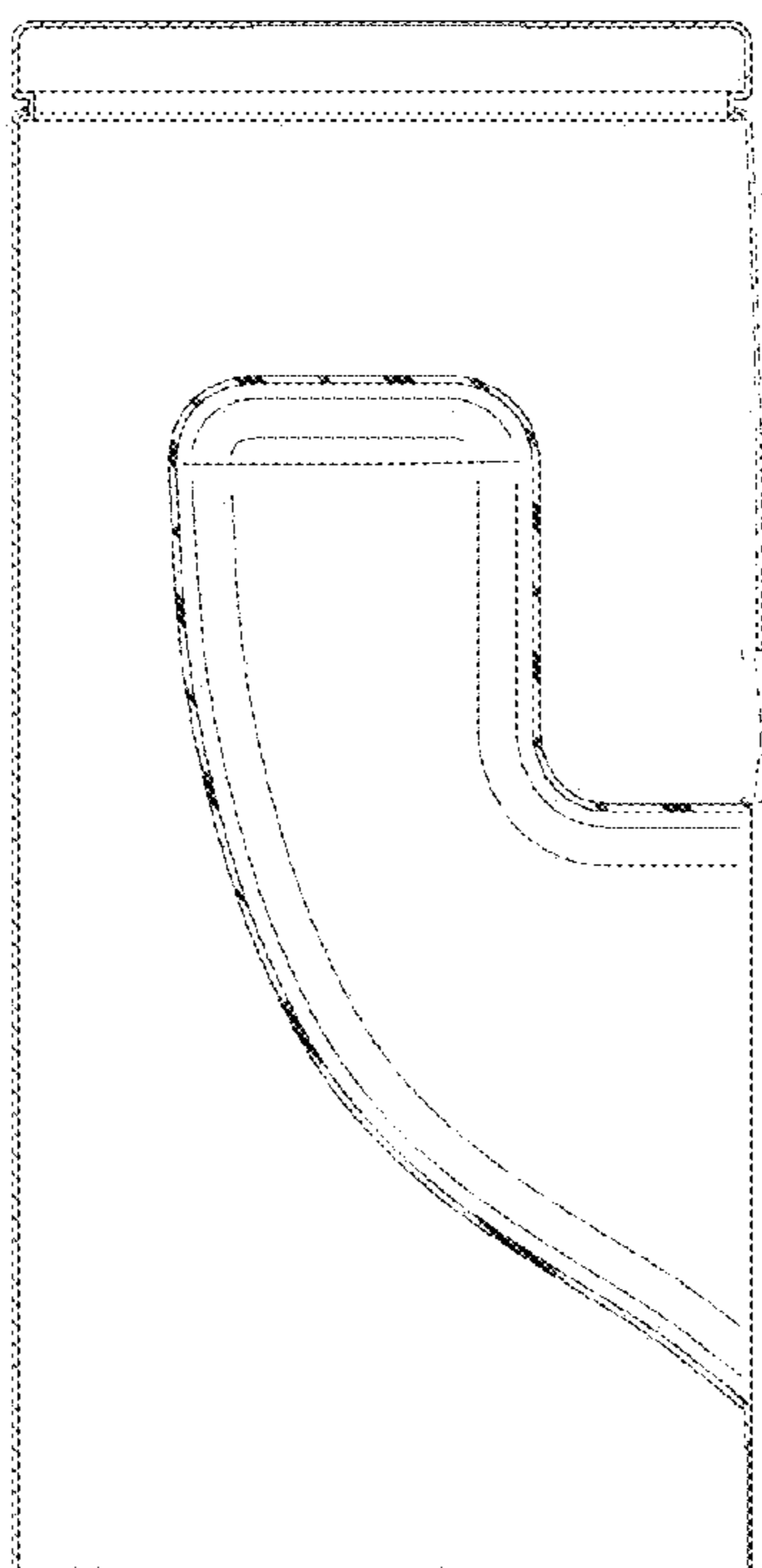


Fig. 6